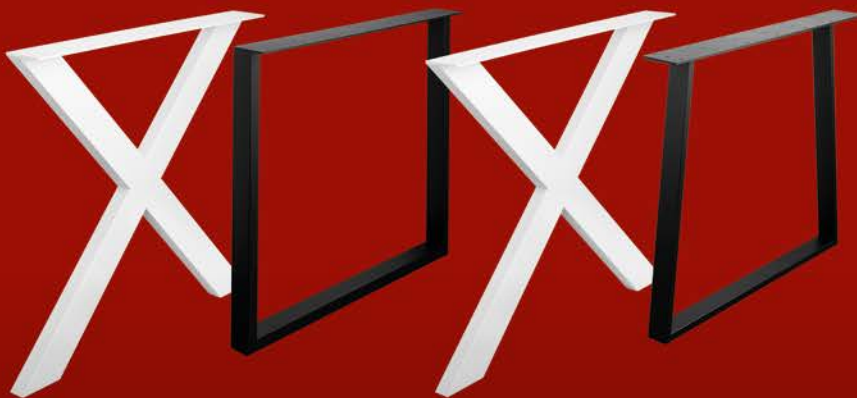




Design table bases

We love them



Design table bases

- without adjustment
- felt pads included
- countersunk head cap mounting
- mounting screws for table top are not included
- underframe without transverse rods
- unsuitable for outdoor use

Convex shape 20 x 60

Table base

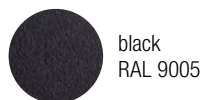
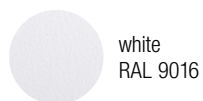
467521 | black

467589 | white

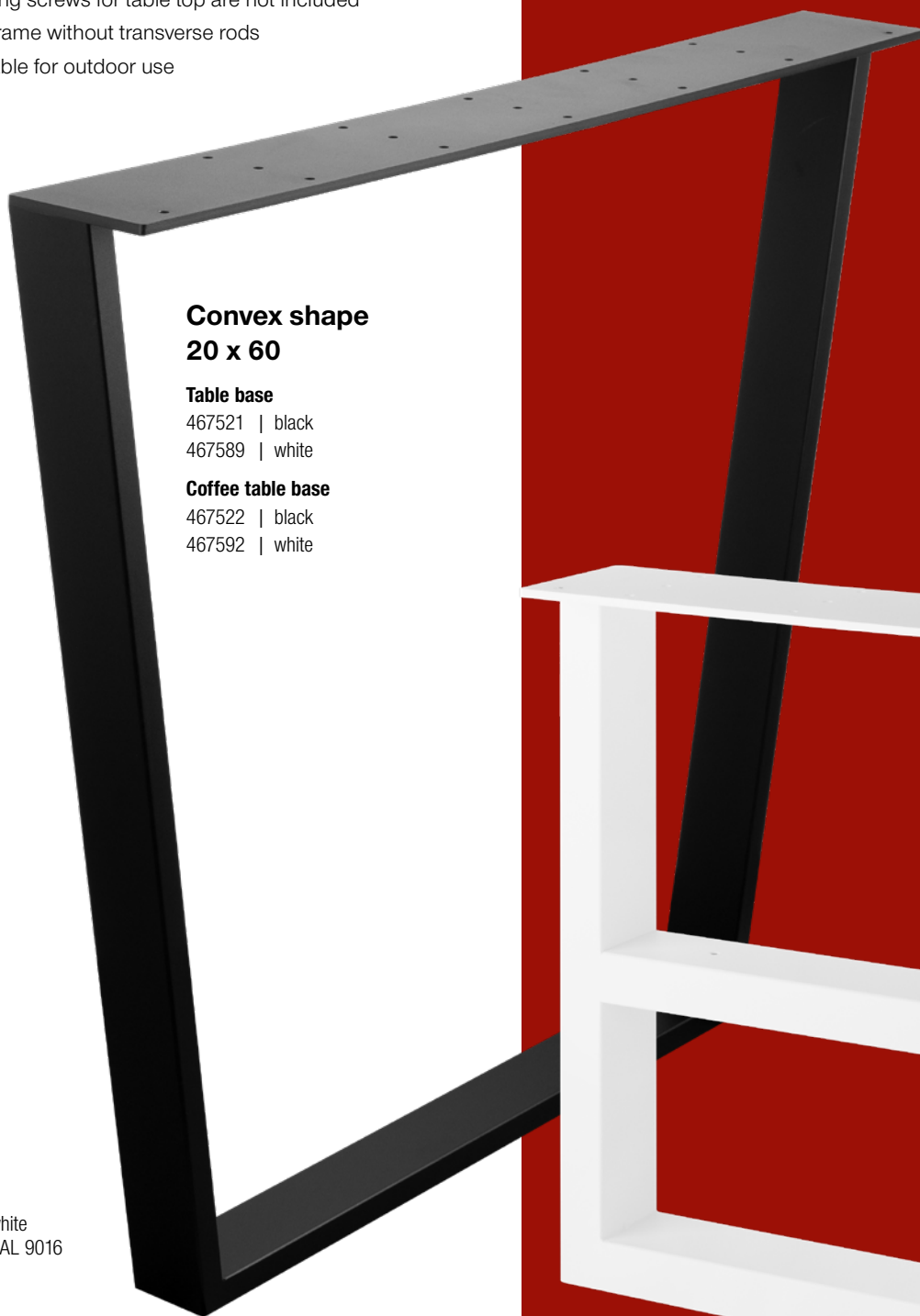
Coffee table base

467522 | black

467592 | white



felt
pads





**Concave
shape 20 x 60**

Table base

467539 | black

467593 | white

Coffee table base

467540 | black

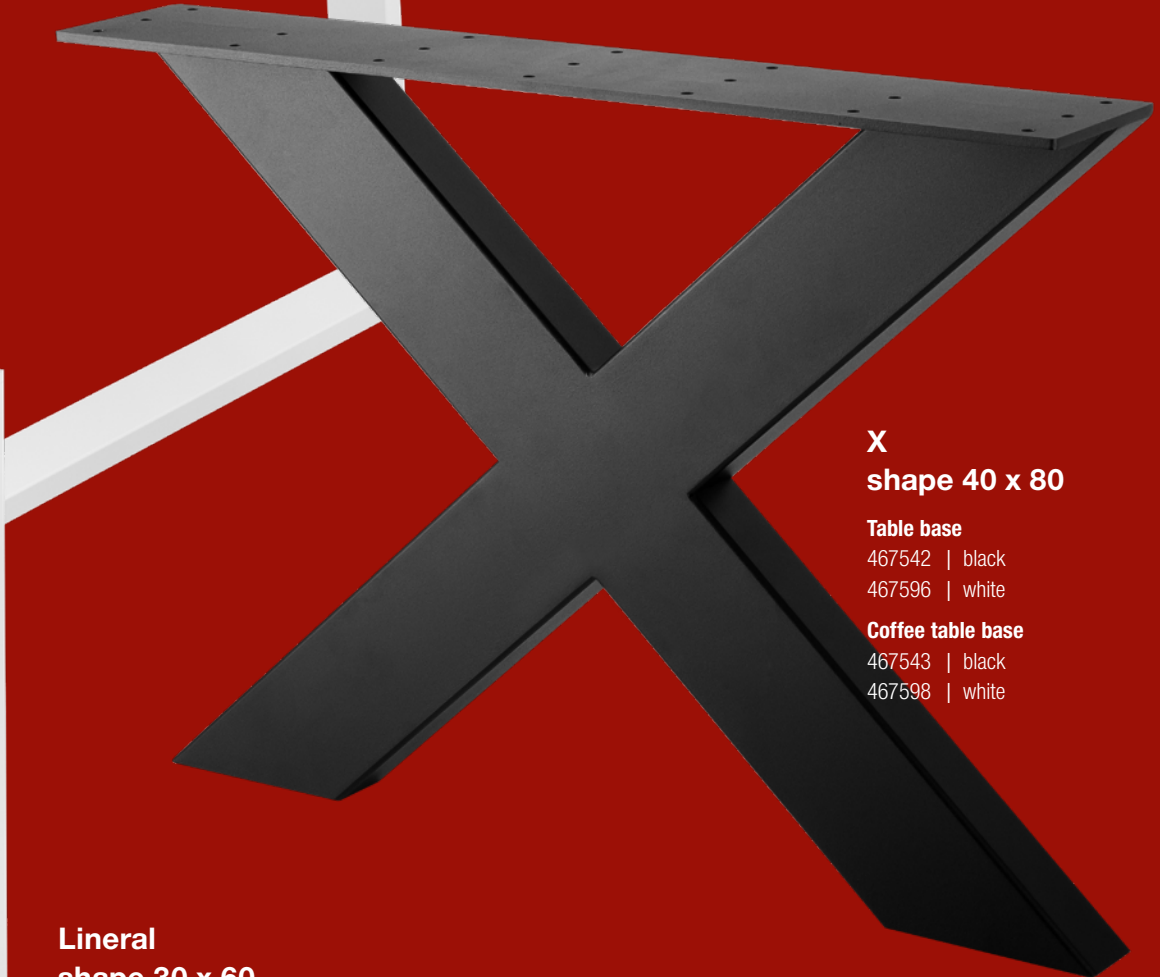
467594 | white

Table bases

- dimensions (H x W): 710 x 780 mm
- recommended table top size 800 x 1 800 mm

Coffee table bases

- dimensions (H x W): 420 x 580 mm
- recommended table top size 600 x 1 600 mm
- linear version with shelf support



**X
shape 40 x 80**

Table base

467542 | black

467596 | white

Coffee table base

467543 | black

467598 | white

**Linear
shape 30 x 60**

Table base

467545 | black

467600 | white

Coffee table base

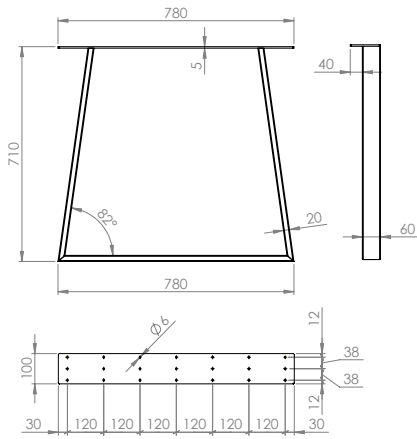
467544 | black

467599 | white

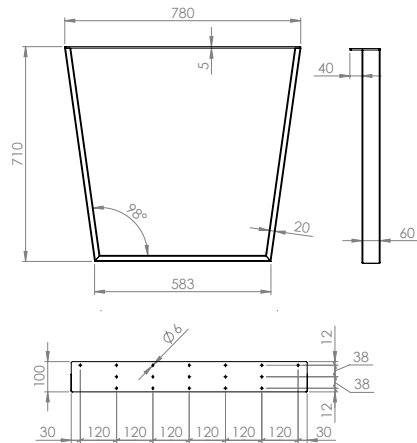
Table bases



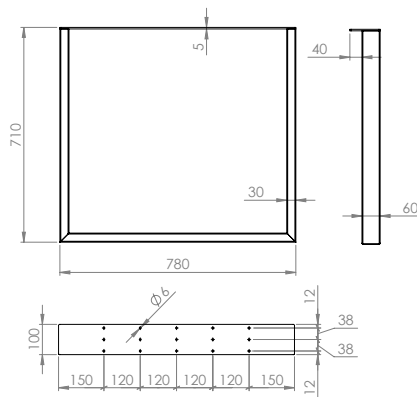
Concave
shape 20 x 60



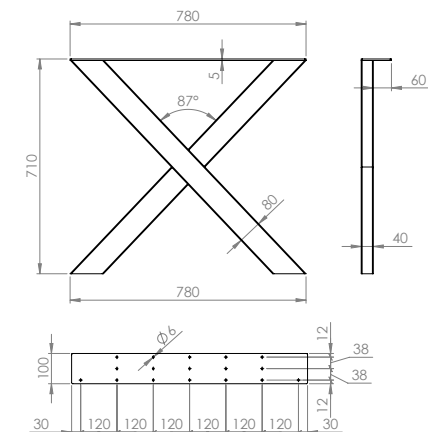
Convex
shape 20 x 60



Linal
shape 30 x 60



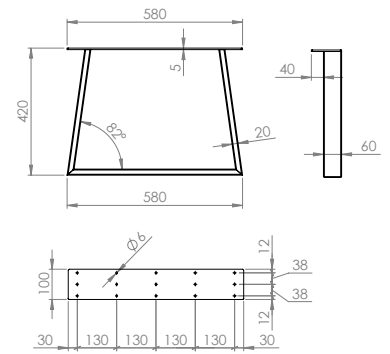
X
shape 40 x 80



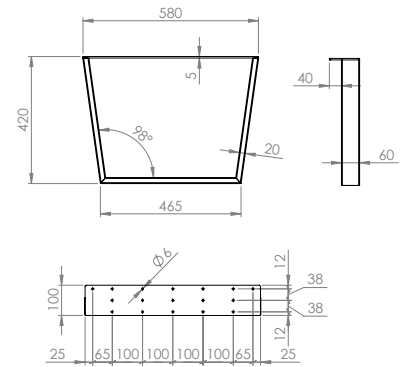
Coffee table bases



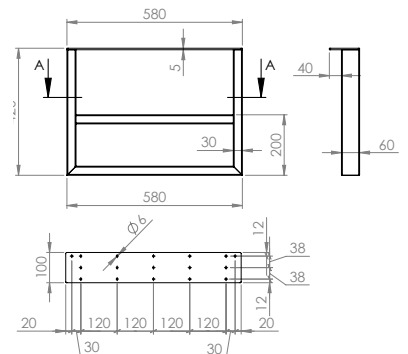
Concave
shape 20 x 60



Convex
shape 20 x 60



Linal
shape 30 x 60



X
shape 40 x 80

