



StrongLine

Everyone chooses

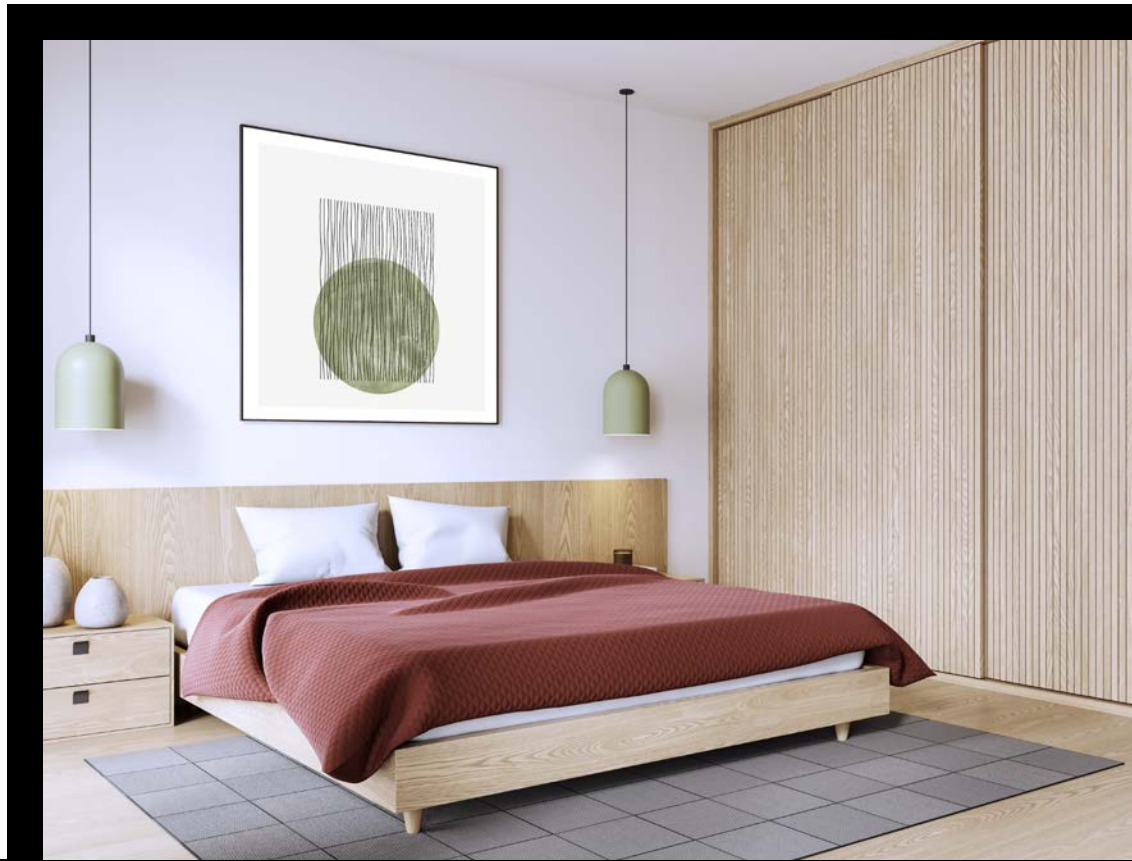


StrongLine solves e



very case







Strong brand fittings always combine good quality with equally good prices. The same applies to StrongLine door fittings. You choose the version of fittings that best suits your order (sliding, folding, inset, overlay, in one plane...) and you know that you can rely on it in all respects. Try easy assembly, sufficient quality and excellent price. StrongLine – something for everyone.



StrongLine Turnio

fittings for folding overlay cabinet doors



Fittings sets for door thickness 18–25 mm

code	description	guide hinge	maximum leaf width (mm)
538057	for 2 doors, 15 kg/1 leaf	top	500
538058	for 2 doors, 25 kg/1 leaf	upper and lower	600

Set contains:

- intermediate door hinges
- soft-close damper
- connecting fittings
- side hinges

Guide (anodised aluminium)

length (mm)	1,500	2,500
top	538059	538060
bottom	538062	538063



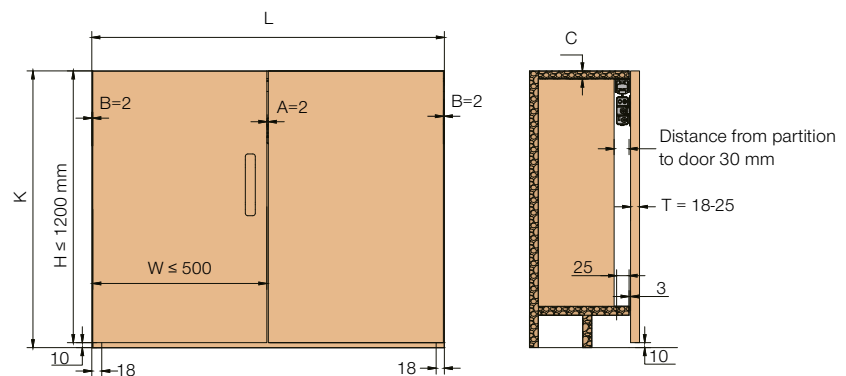
YouTube
Mounting instruction
Without bottom profile



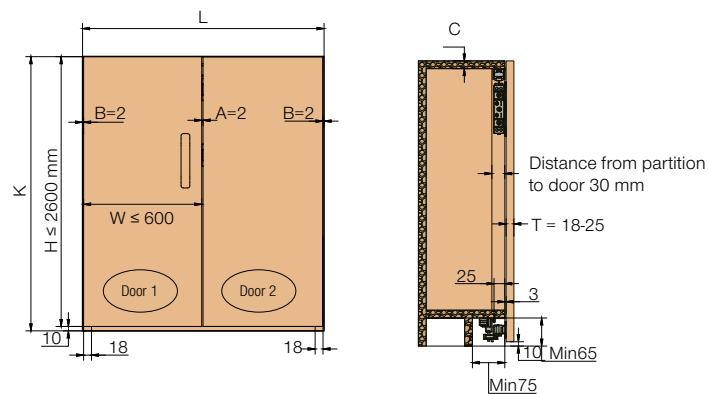
YouTube
Mounting instruction
With bottom profile

- Smooth and space-saving opening of cupboards and wardrobes.
- Ideal everywhere where efficient use of space and aesthetic design are important.
- Brushes positioned in the upper profile prevent the accumulation of dirt.
- No distinction between fittings for left or right variants.
- When folded, the maximum distance between individual doors is only 115 mm.
- Thanks to the integrated stop, the doors remain securely in place after opening.

Fittings set for up to 15 kg and up to 1,200 mm height



Fittings set for up to 25 kg and up to 2,500 mm height

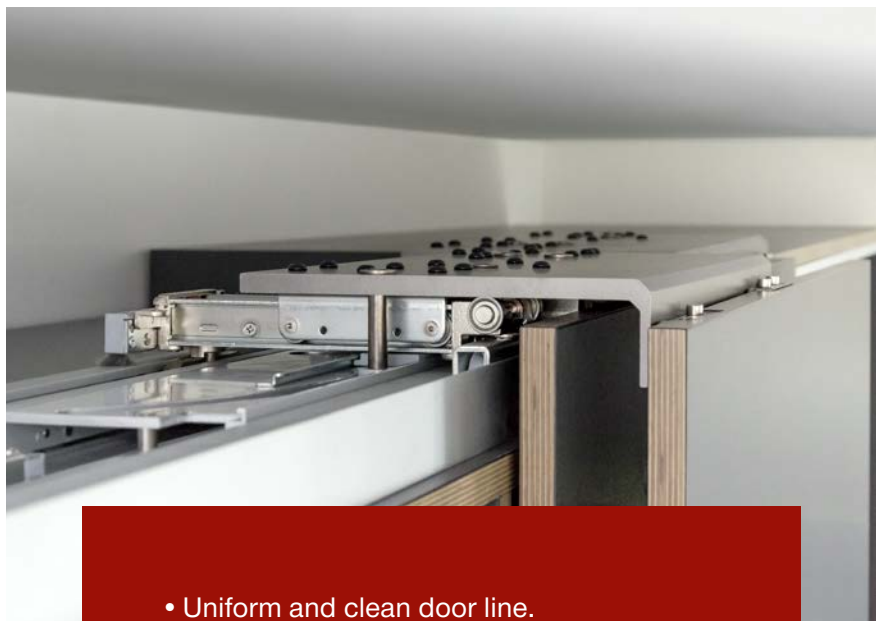


A = intermediate door gap
 B = door offset from body side
 C = floor thickness
 H = door height

K = cabinet body height
 L = cabinet body width
 T = door thickness
 W = door width

StrongLine Dornio

fittings for sliding cabinet doors in one plane



- Uniform and clean door line.
- Suitable for doors with thickness of 18–45 mm.
- Soft closers in opening and closing direction.
- Safety latch against unhinging.
- Minimal gap between doors and on the sides.
- Profile can be cut to length.



YouTube
Mounting
instruction

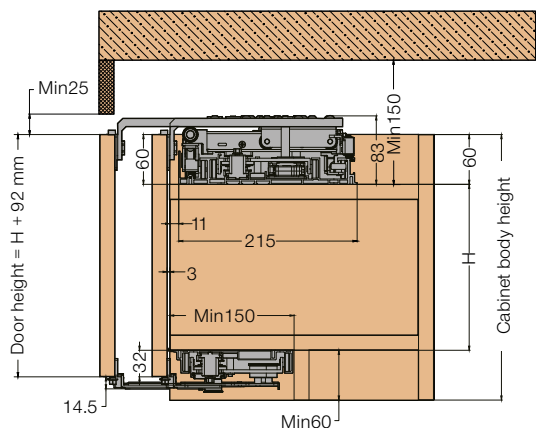
Complete sets for 2 leaves

code	internal body clearance (mm)	load capacity (kg)	door thickness (mm)
540950	1,650–2,050	80	18–45
540951	2,050–2,450		

Set contains:

- upper and lower guide mechanisms for 2 leaves
- top and bottom guide
- soft closing system
- assembly key





Installation

(door thickness including handle ≤45 mm)

- Maximum recommended door height up to 2,400 mm.
- To prevent sagging of sliding doors, we recommend using door straighteners 351707 or 475044, see related assortment.

Door size

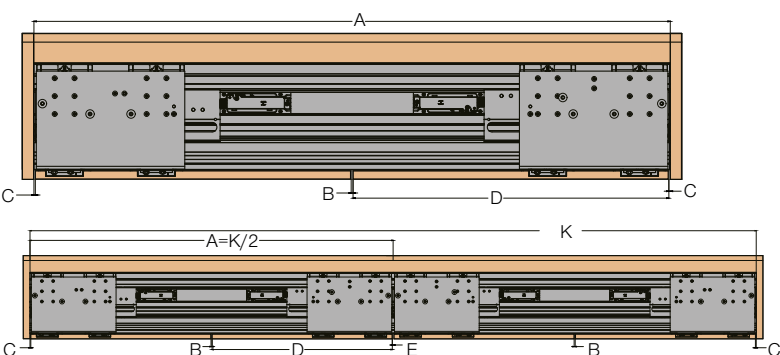
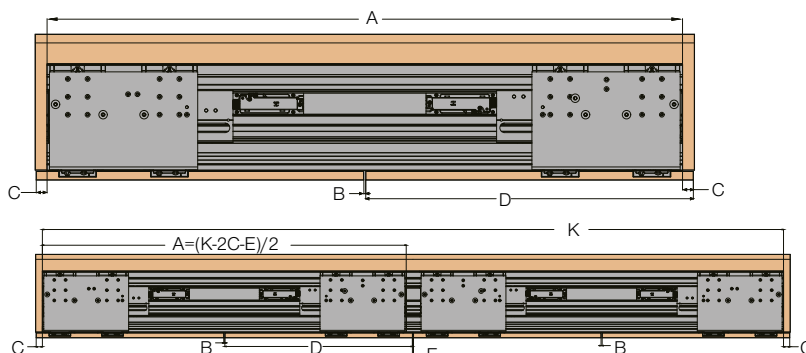
Version with overlay doors

Double doors

- A = cabinet inner width
- B = Gap between two doors (≥4 mm)
- C = Side panel thickness (≤25 mm)
- D = Door width = $(A+2C-B)/2$

Four doors

- A = Standard clear width
- B = Gap between two doors (≥4 mm)
- C = Side panel thickness (≤25 mm)
- D = Door width = $(K + 2C - 2B - E)/4$
- E = Gap between two middle doors
(doors do not open simultaneously – $E \geq 3$ mm;
doors open simultaneously – $E \geq 6$ mm)
- K = cabinet inner width



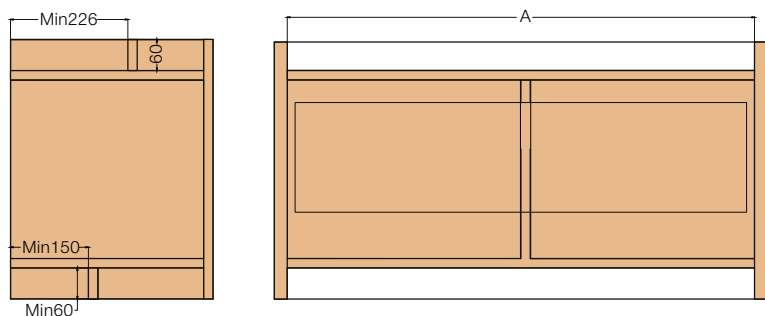
Version with inset doors

Double doors

- A = cabinet inner width
- B = Gap between two doors (≥4 mm)
- C = Thickness of side panel (≥3 mm)
- D = Door width = $(A-2C-B)/2$

Four doors

- A = Standard clear width
- B = Gap between two doors (≥4 mm)
- C = Thickness of side panel (≥3 mm)
- D = Door width = $(K + 2C - 2B - E)/4$
- E = Gap between two middle doors
(doors do not open simultaneously – $E \geq 3$ mm;
doors open simultaneously – $E \geq 6$ mm)
- K = cabinet inner width



StrongLine Piato

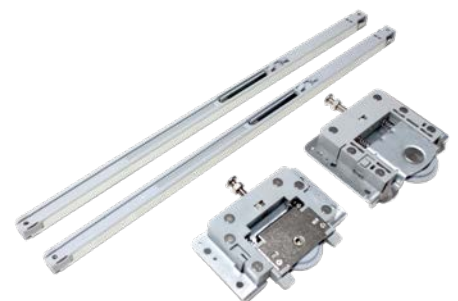
fittings for sliding inset cabinet doors



- Simple installation without the need for any milling.
- Smooth and safe door movement.
- Brushes positioned on the carriages automatically remove dust and dirt from the rail.
- Soft closers equipped with anti-jump function to prevent door jumping.



YouTube
Mounting instruction



Fittings sets with soft closing

code	description	load capacity (kg)	door thickness (mm)	door width (mm)	door height (mm)
540953	for 2 leaves	10-50	≤ 20 mm*	500-1,200	≤ 2,500 mm
540954	for 3 leaves				

Recommended aspect ratio height/width is max. 3:1
 * ≤ 20 mm without milling, 20 mm – 32 mm with milling

Set contains:

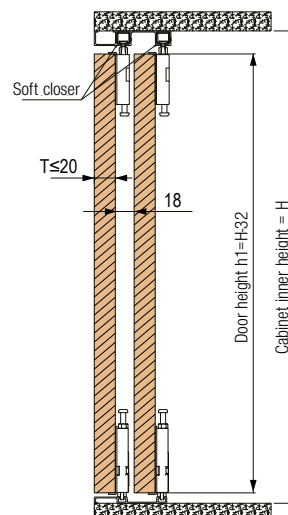
- upper and lower runners
- fastening and mounting material
- soft closers

top and bottom guide set with cover profile

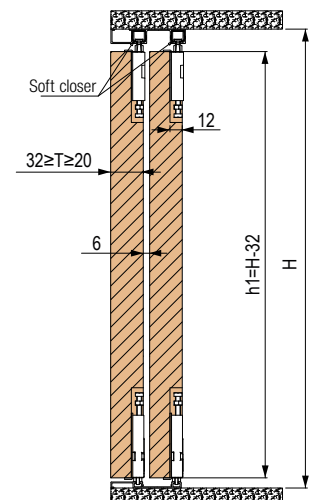
code	colour	length (mm)
540955	anodised silver	2,000
540956		3,000
542305	anodised black	2,000
542306		3,000

Installation of interior doors

Version without milling



Version with milling



StrongLine Barnio fold

fittings for folding interior doors



- Attractive rustic design.
- Easy assembly.
- Smooth operation when opening and closing.



Complete sets including top guide

code	max. width of one leaf (mm)	profile length (mm)	number of leaves	load capacity (kg)	thickness (mm)
538046	450	1,000	2	40	30-45
538048		2,000	4		

Set contains:

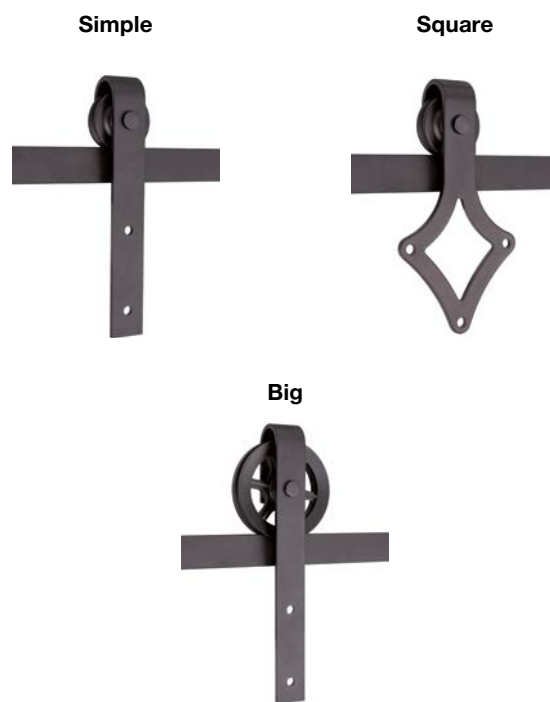
- runners
- top guide
- intermediate door hinges
- fastening and connecting material

Individual components

code	description	colour	length (mm)
538044	set of fittings for 2 leaves	black matt	-
538040	top guide		1,000
390598	top guide		2,000

StrongLine Barnio

fittings for top guide of rustic doors



Complete sets including guide profiles

- Attractive design of runners with bearings.
- Easy assembly.
- Simple operation.
- Possibility of soft closing on both sides.
- Load capacity 80 kg.
- Door thickness 30 to 45 mm.

Set contains:

- castors
- wall mounting material
- connecting material for guides
- end stops
- guide pin
- top guide
- soft closers

door thickness 40–45 mm	length (m)	with soft closing	without soft closing
Simple	2	393229	393227
	3	393231	393230
Big	2	393222	393220
	3	393226	393224
Square	2	393233	393232
	3	393235	393234

Individual components

code	description
390594	Simple set
390595	Square set
390596	Big set
390597	set of soft closers
390598	top guide 2 m
390599	top guide 3 m
390601	connecting material for the wall
392649	connecting screws for doors 30–40 mm
392650	connecting screws for doors 40–45 mm

- Components are already included in the complete sets.

door thickness 30–40 mm	length (m)	with soft closing	without soft closing
Simple	2	390800	390806
	3	390801	390807
Big	2	390804	390808
	3	390805	390809
Square	2	390802	390810
	3	390803	390811

StrongLine Baleo

fittings for sliding inset cabinet doors



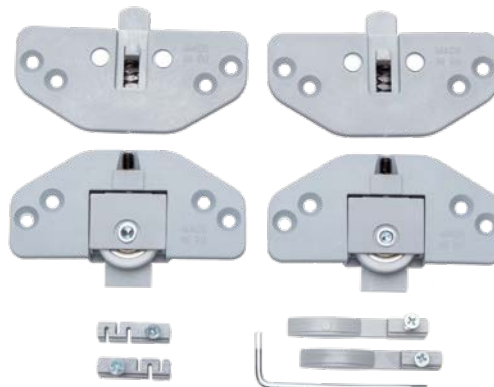
Set of fittings

- High-quality fittings for smaller doors.
- Soft closing not available.
- Quiet running, high-quality bearings for long life service.

code	description
284637	set of fittings for 1 door

Set contains:

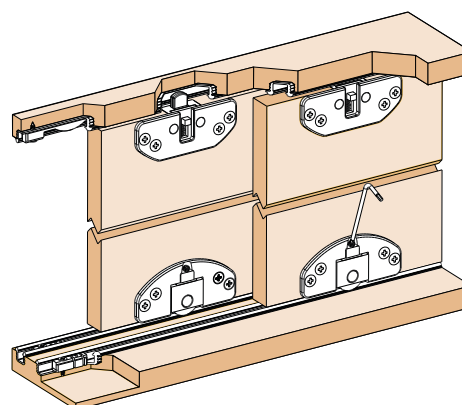
- 2 top gliders
- 2 bottom runners with ball bearing runners
- backstops
- hex key



Top/bottom guide



length	top/bottom guide simple	top/bottom guide double
1.2 m	284638	284641
2 m	284639	284642
3 m	284640	284643

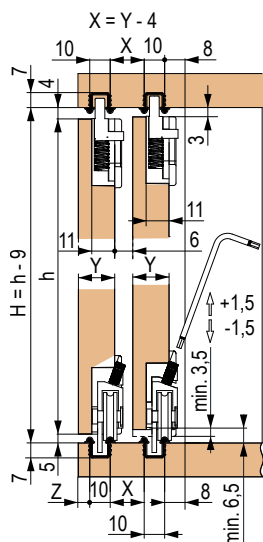


Double guide end cap

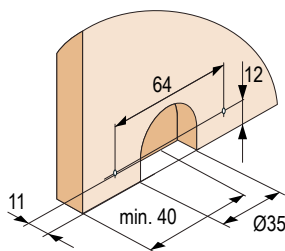
code	length
284644	3 m

- Material – grey plastic.

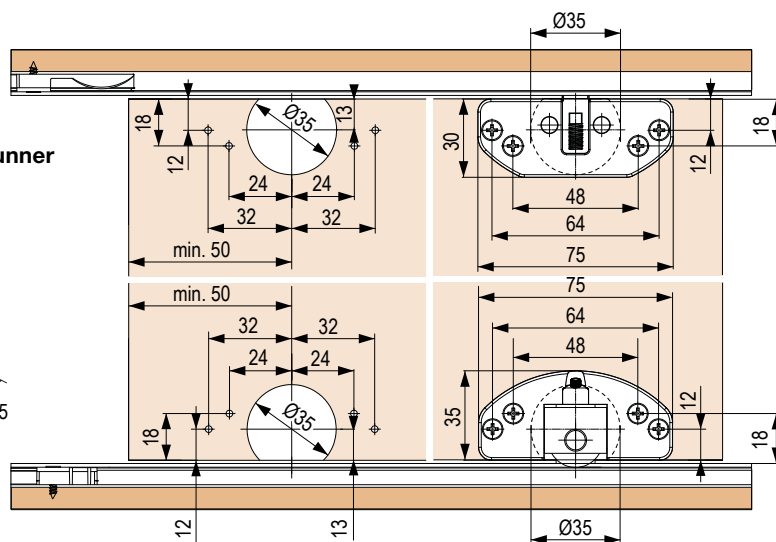
Dimensional diagram – simple profile



Opening for top/bottom runner

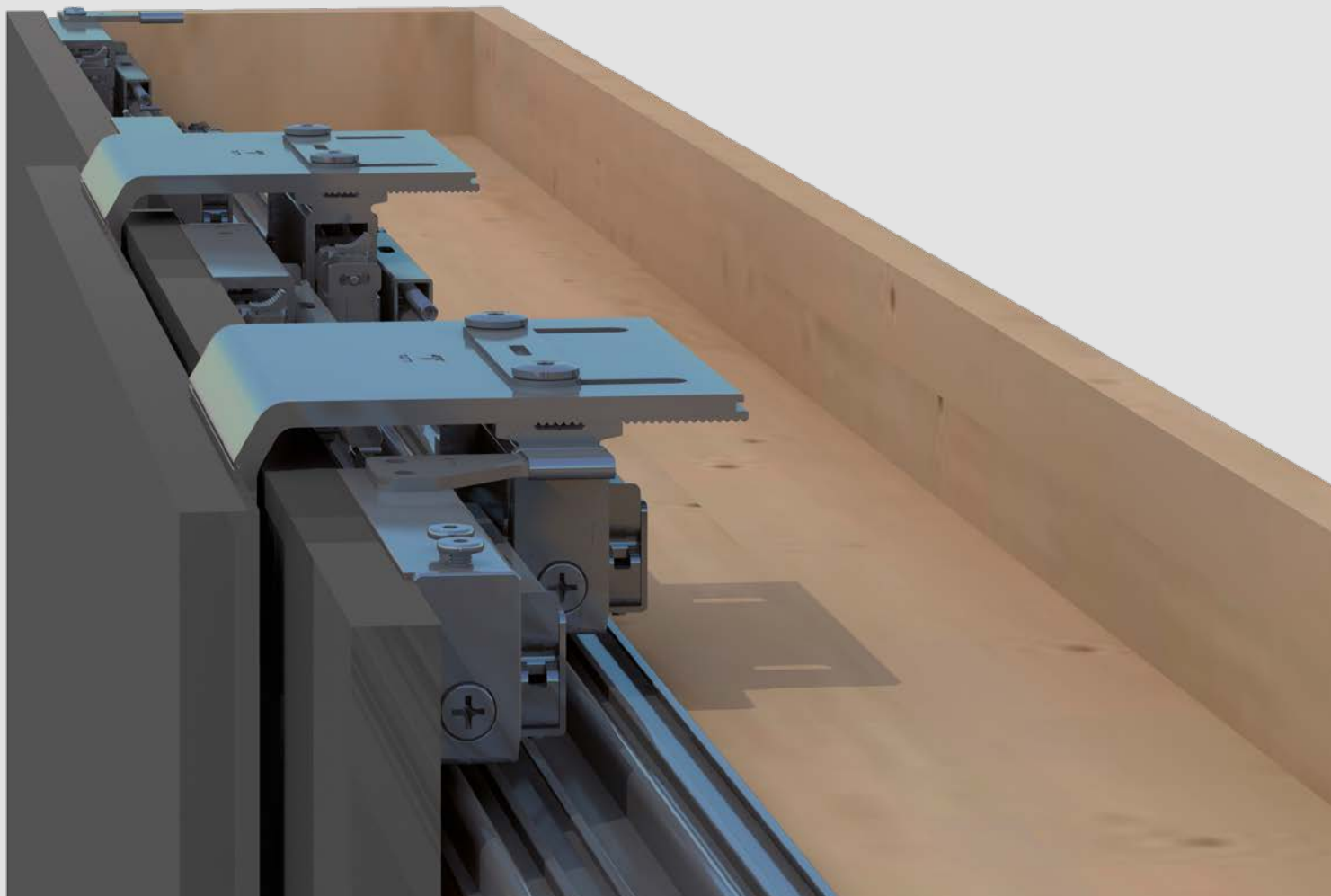


Dimensional diagram



StrongLine Planio

fittings for sliding overlay cabinet doors



Fittings sets with soft closing

code	description
388537	set of fittings for 2 leaves including soft closers
398930	set for 3 leaves including soft closers, central soft closer and anti-collision element
388539	top guide anodised 2 m
388540	top guide anodised 3 m
388541	top guide anodised 4 m
388542	bottom guide anodised 2 m
388543	bottom guide anodised 3 m
388544	bottom guide anodised 4 m
388545	cover profile anodised 2 m

- To prevent sagging of sliding doors, we recommend using door reinforcements 351707 or 475044. See related product range.

Calculation of dimensions

Side panel dimensions:

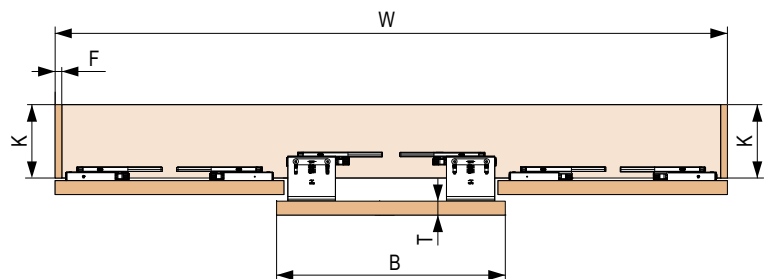
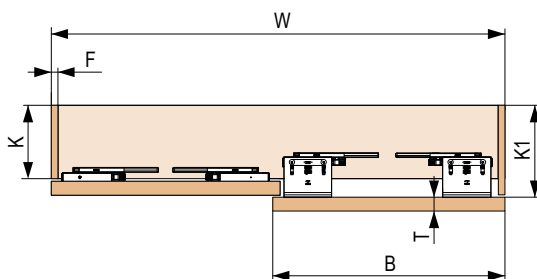
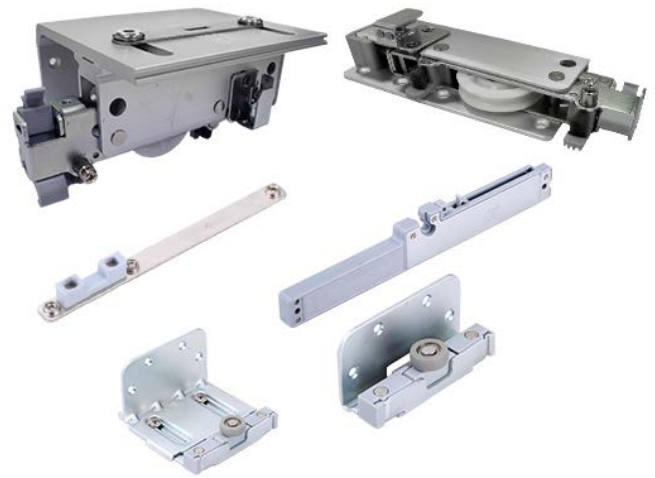
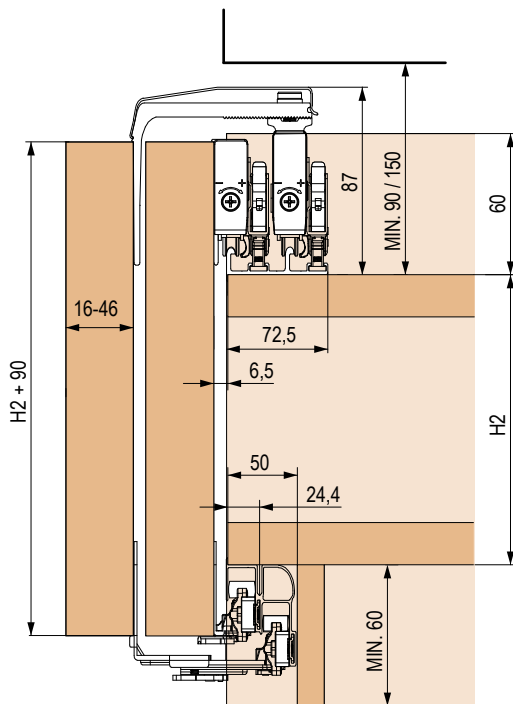
$$K1 \text{ (mm)} = K + T + 8 \text{ (} T = \text{door thickness } 16 \leq T \leq 46 \text{)}$$

Leaf width:

$$B = W / 2 + 10 \text{ (2 leaves)}$$

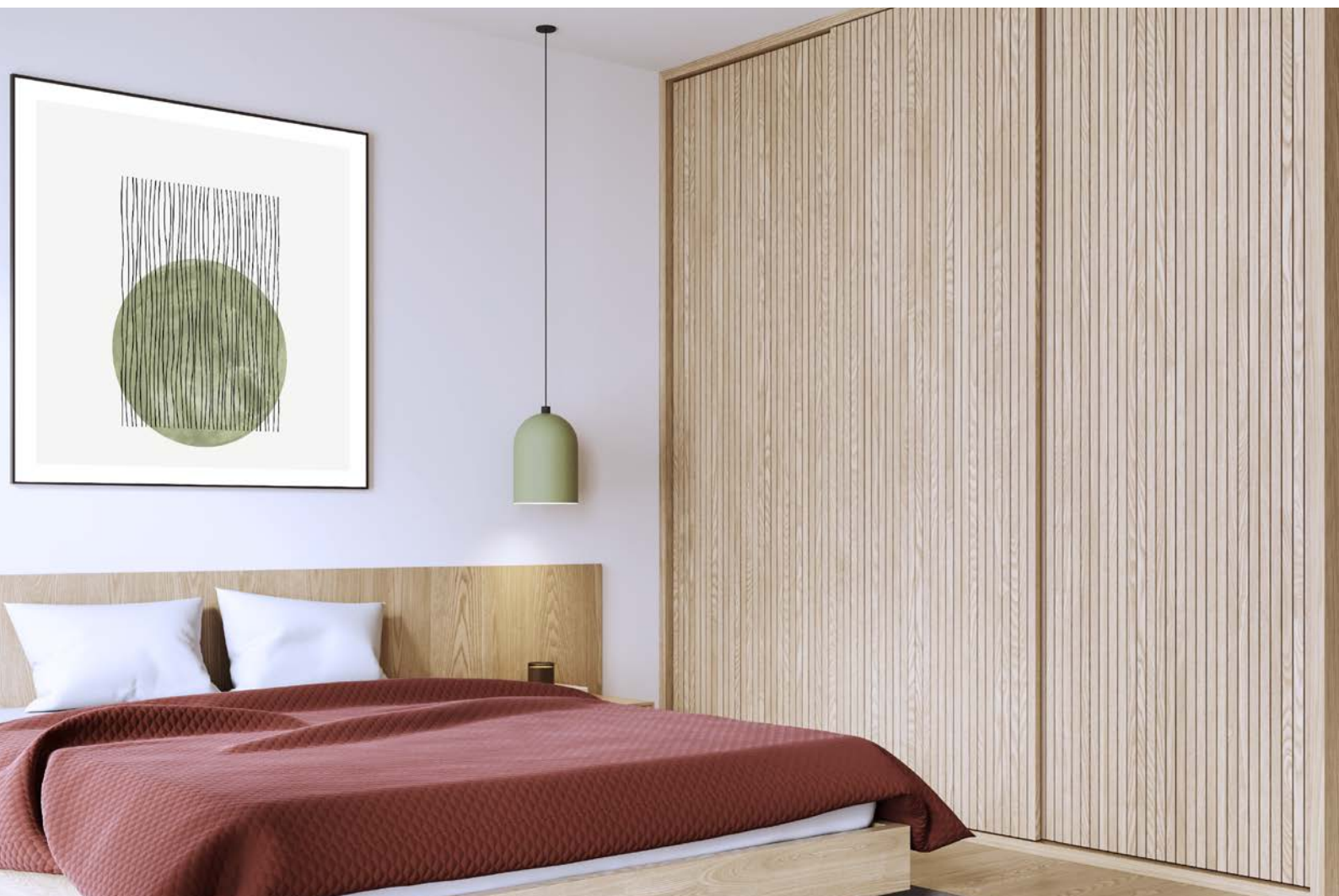
$$B = W / 3 + 10 \text{ (3 leaves)}$$

- Sliding overlay system for 2 or 3 doors.
- Double-sided soft closing for all doors.
- Also suitable for narrower doors.
- Anti-collision system for the version for 3 leaves.
- Adjustable for material thicknesses 16–46 mm.
- Safety latch preventing door detachment.



StrongLine LINIO

fittings for sliding inset cabinet doors



Fittings sets with soft closing

code	description
284545	set for 2 leaves, 4 × soft closer
284546	set for 3 leaves, 4 × soft closer

- The set includes runners in the appropriate quantity, guide end pieces, fasteners and hex key.
- Minimum leaf width is 600 mm.

Centre soft closer

code	description
284551	for a 3-leaf set

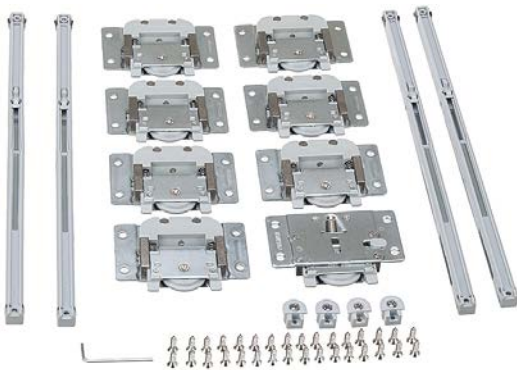
- For centre soft closer mounting, the middle leaf must be in the rear or the gap between the leaves must be enlarged to allow other leaves to move.
- Centre soft closer should be mounted to the cabinet body, with guiding pin fitted to the leaf.

Top/bottom guide

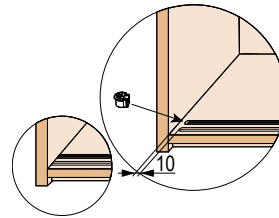
code	length (m)
284547	1.5
284549	2
284550	3

- Surface treatment – anodised silver.

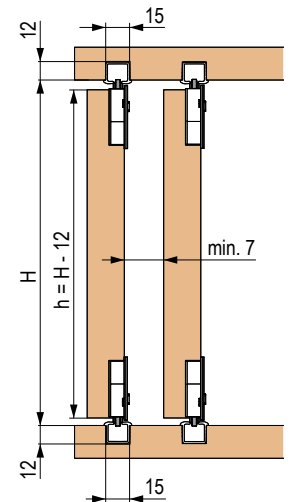
- Elegant solution for inset doors.
- Guide milled into the cabinet body, min. thickness 18 mm.
- Quiet running, high-quality bearings for long life service.
- Soft closing hidden in guide for silent closing of the leaf.
- Simple regulation, safety latch for easier leaf installation.



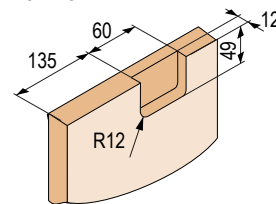
Use of guide profile end piece



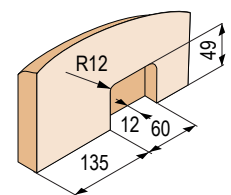
Dimensional diagram



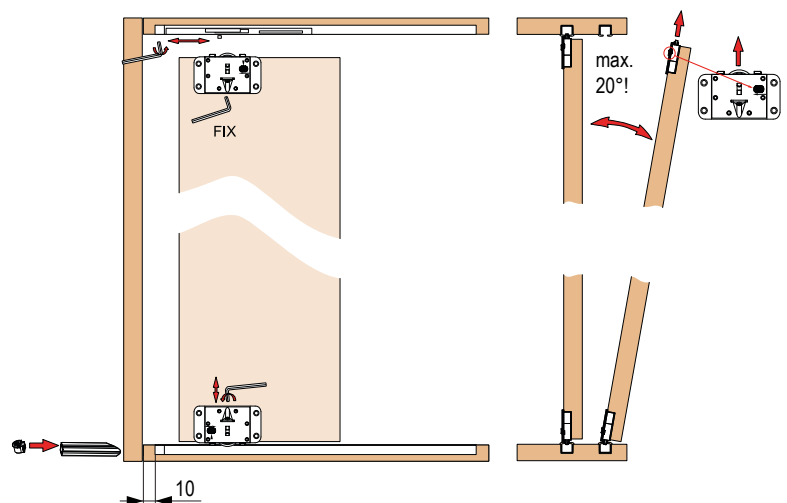
Opening for top runner



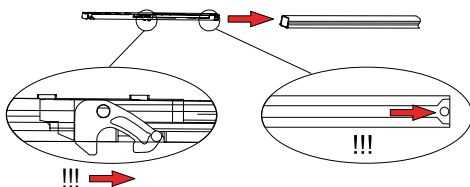
Opening for bottom runner



Leaf installation and adjustment



Correct orientation of the soft closer in the guide profile



ⓘ Mounting information

1. Before inserting the guide into the cabinet body, insert soft closers and end pieces to the rail.
Please mind the correct orientation of the soft closer – arrows must point to the cabinet body centre.
2. Draw soft closers in the working position (according to the arrow – towards the cabinet body centre).
3. Before installing the leaf, push top runners in installation position and secure them with a safety latch.
4. Insert the leaf into the bottom rail, then direct the top runner to the top rail and release the safety latch.
5. Warning – leaf deflection during installation must not exceed 20°, otherwise the guide or even the cabinet body may suffer damage!
6. Regulate the leaf position, then secure against unhooking by tightening the top runner.
7. Align and secure the position of soft closing to close the door to the cabinet body side properly.

StrongLine 1030

with bottom guide



Fittings sets

code	description
92113	set of fittings for 2 leaves
92114	set of fittings for 3 leaves

- Set of fittings for inset sliding cabinet doors with ball bearing, favourable price and simple assembly is its biggest advantage.
- The fittings comprise top and bottom runner sets and buffer dampers in the required quantity.
- Insert the brake in the top rail before the final fastening.



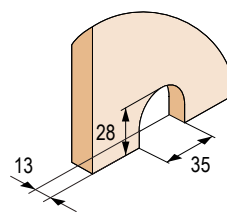
Top/bottom guide

guide length	top guide	
	top guide	top cover strip
1.2 m	92115	
2 m	92116	
3 m	92117	

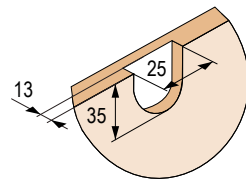
guide length	bottom guide	
	for screwing	for milling-in ¹⁾
1.2 m	92107	92118
2 m	92108	92119
3 m	92109	92120

¹⁾ milling width 2 mm, depth 6 mm.

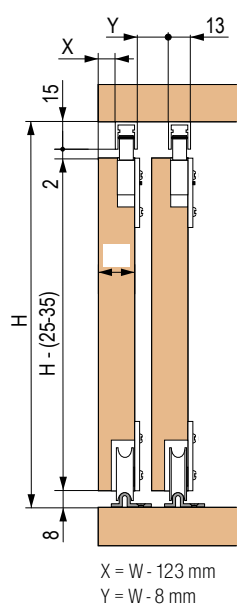
Opening for bottom runner



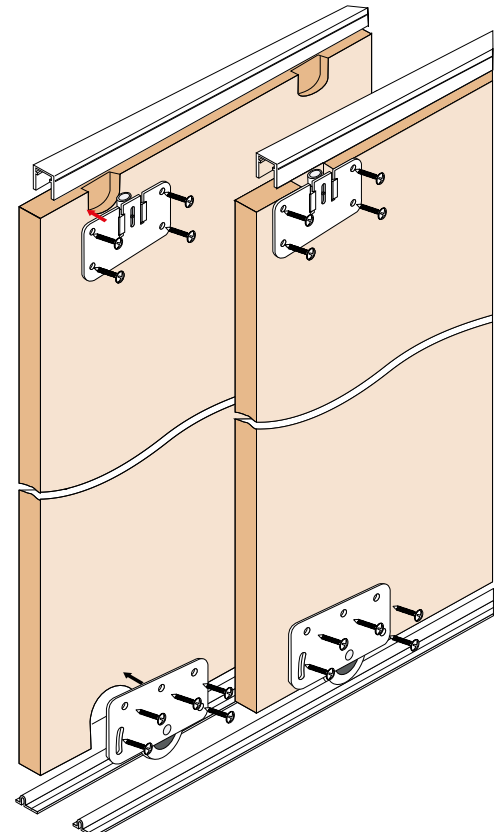
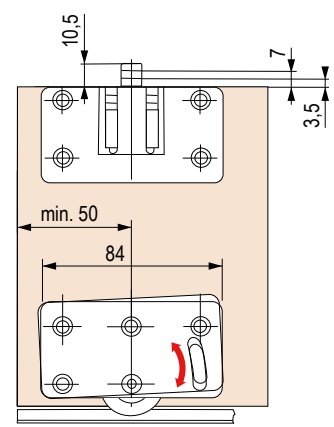
Opening for top runner



Dimensional diagram



Position and dimensions of runners



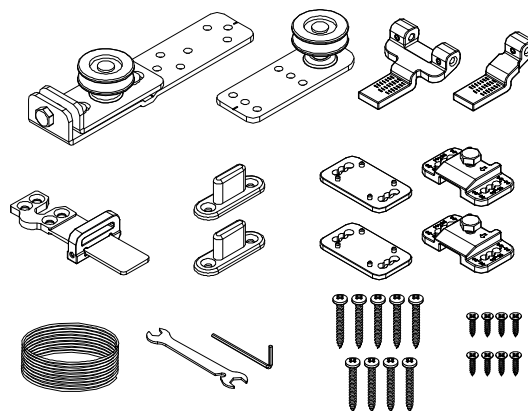
StrongLine Synchronotec

smooth opening set



Fittings for smooth gradual opening of door leaves

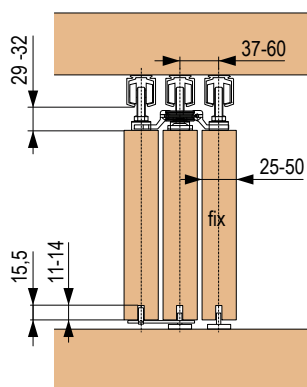
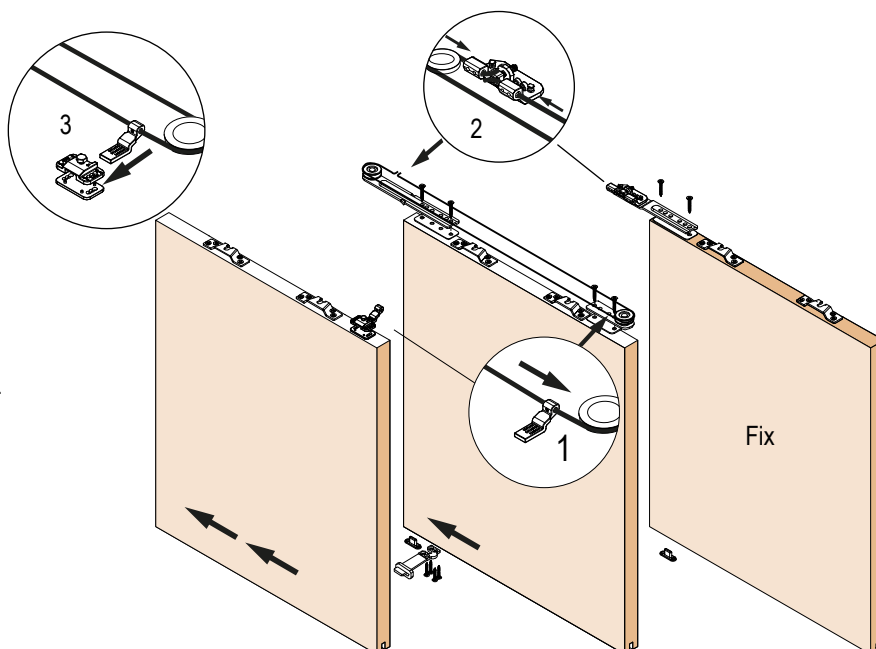
- By pulling the outer leaf, the middle leaf moves smoothly.
- It is possible to install with any set meeting the following conditions:
 - distance between the leaf and guide 29–32 mm;
 - distance between leaves 37–60 mm (axes of individual leaves).
- Guides and fittings sets are not part of the system, they must be purchased separately.



code	description
355892	complete set

Assembly manual:

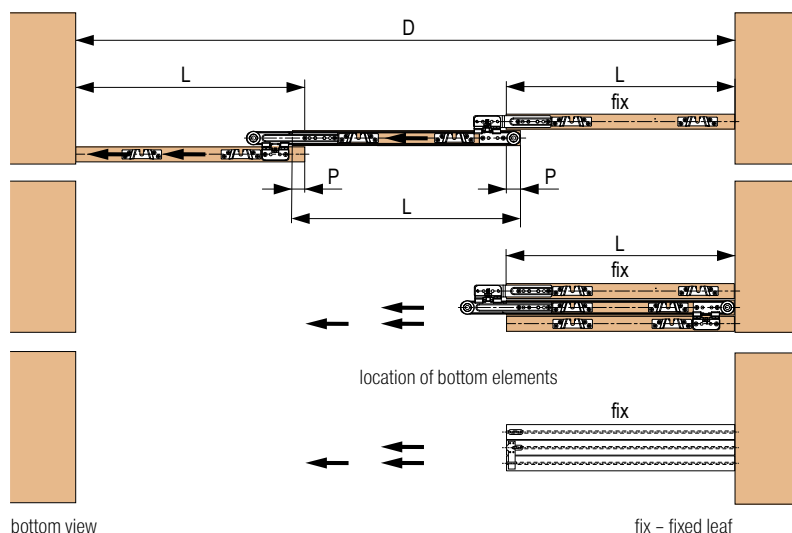
1. fasten the fittings on the individual leaves,
2. install a fixed leaf,
3. install a middle leaf,
4. thread the cable through the fastening element, Fig. 1,
5. pull the cable around the pulleys so that the loose ends are at the fixed leaf and the fastening element 2 is at the third leaf,
6. thread the loose ends of the cable through the fastening element, Fig. 2 (on the fixed leaf), and fasten slightly,
7. install the third leaf, attach the fastening element to it, Fig. 3,
8. adjust and tighten, cut off the remaining part of the cable,
9. tighten the cable using an adjustment screw on the middle leaf, loosen the cable on the fastening element in order to adjust the mutual position of the leaves,
10. on the third leaf, it is possible to install soft closers in the outer positions, the remaining sets must be without soft closing.



$P > 75 \text{ mm}$
 $400 < L < 1350 \text{ mm}$

$$L = \frac{(2 \times P) + D}{3}$$

D – width of the opening
 L – leaf width
 P – leaf overlap



bottom view

fix - fixed leaf

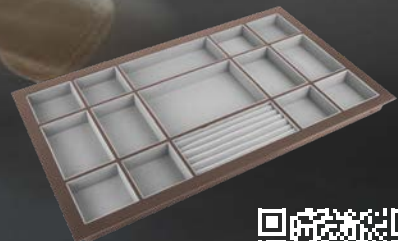
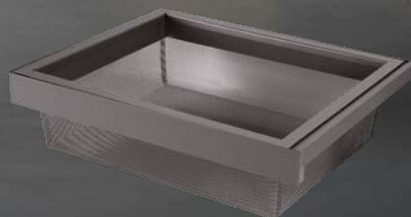
NO WARDROBE

Demos

All for the furniture *mak-ing*

CAN RESIST

THE THOUGHT OF BEING FITTED
WITH STRONGWIRE BASKETS AND HANGING RAILS.



Demos trade, a.s., Škrobálkova 630/13, 718 00 Ostrava-Kunčičky
Customer service centre: T +420 556 684 310 E export@demos-trade.com

StrongWire products at
www.demos24plus.com