

# furniture hinges



## ADVISORY SERVICE

Not sure how to choose or assemble the fittings?  
Call +420 556 684 310 or email [export@demos-trade.com](mailto:export@demos-trade.com)  
and we will be happy to help you.



## MATERIAL FOR DOOR PRODUCTION

The material for the door and cabinet body together with the fittings? There's nothing easier than ordering both from us.



## COMPLETE CABINET BODIES

Do you have a great project but are struggling with time, workshop space, or other obstacles? Don't lose heart! We offer you our premises, machinery, and time — we will manufacture the cabinet bodies you need to your exact specifications.



## PORTAL

A customer portal for purchasing, order overview, job submission, formatting, and status tracking. All in one place: stock availability, your prices, and much more.



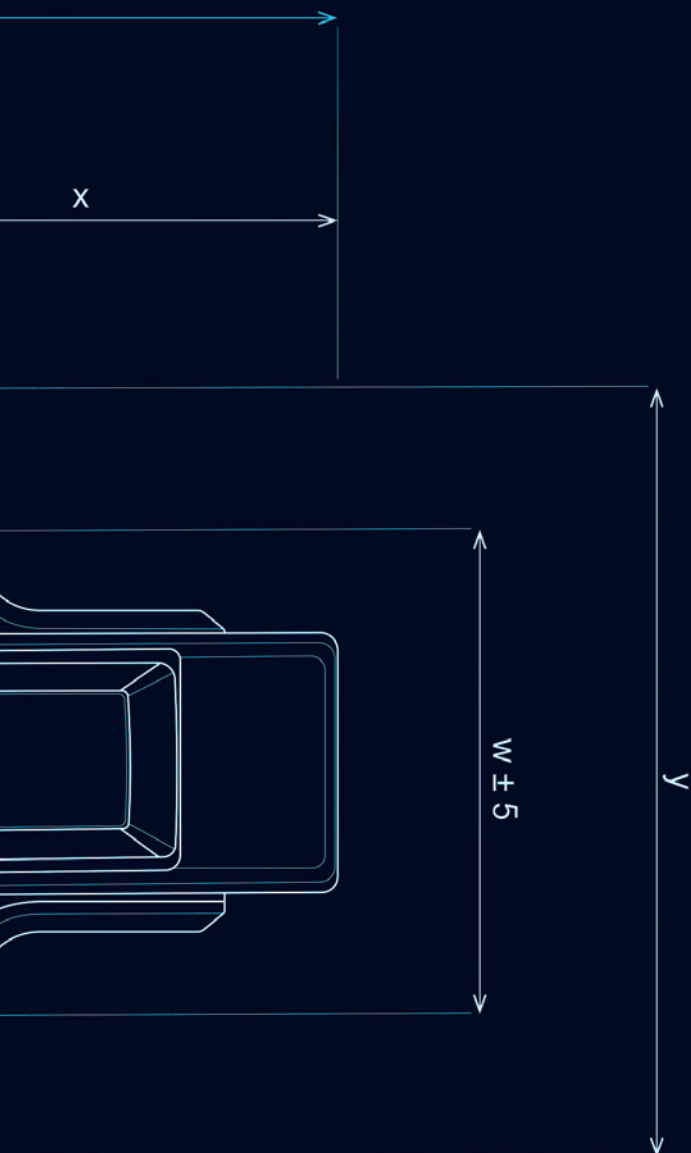
## SAMPLE ROOM DISPLAYS

Representatives of wire systems need plenty of space to display their products — and we have it. Come and see for yourself, or send your customers to our sample room. We will walk them through everything and help them make the right choice.








## DELIVERY TO YOUR DOOR










All orders will be delivered to your hands within 72 hours.









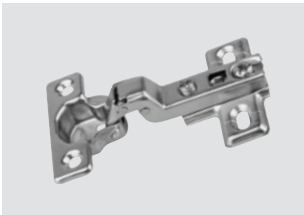

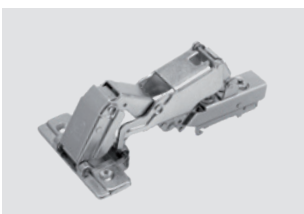



# contents

<b>Contents by brand:</b>			Strong	<b>01.5</b>
			Blum	<b>01.19</b>
			Hettich	<b>01.45</b>
	clip-on	<b>full overlay</b>	Strong	<b>01.8; 01.11</b>
	slide-on		Blum	<b>01.23; 01.27; 01.43</b>
	black		Hettich	<b>01.49; 01.51; 01.63</b>
			Strong	<b>01.15</b>
			Blum	<b>01.43</b>
			Hettich	<b>01.69</b>
			Blum	<b>01.33</b>
			Hettich	<b>01.51</b>
	clip-on	<b>half overlay</b>	Strong	<b>01.8; 01.11</b>
	slide-on		Blum	<b>01.23; 01.27; 01.43</b>
	black		Hettich	<b>01.49; 01.51; 01.63</b>
			Strong	<b>01.15</b>
			Blum	<b>01.43</b>
			Hettich	<b>01.69</b>
			Blum	<b>01.33</b>
			Hettich	<b>01.51</b>
	clip-on	<b>inset</b>	Strong	<b>01.9; 01.12</b>
	slide-on		Blum	<b>01.23; 01.27; 01.43</b>
	black		Hettich	<b>01.49; 01.51; 01.63</b>
			Strong	<b>01.15</b>
			Blum	<b>01.43</b>
			Hettich	<b>01.55</b>
			Blum	<b>01.33</b>
			Hettich	<b>01.51</b>
	clip-on	<b>clip-on</b>	Strong	<b>01.13</b>
			Blum	<b>01.40</b>
			Hettich	<b>01.55</b>
	clip-on	<b>clip-on</b>	Strong	<b>01.9; 01.13</b>
			Blum	<b>01.40</b>
			Hettich	<b>01.55</b>

# contents

	clip-on	90° (blind corner)	Strong Blum Hettich	01.10; 01.13 01.24 01.55
	clip-on	155°/165° (no overlay into the interior of the cabinet)	Strong Blum	01.9; 01.12 01.28
	clip-on	165°	Strong Blum Hettich	01.9; 01.12 01.34 01.53
	slide-on	hinge for cabinet with built-in fridge	Blum Hettich	01.29 01.66
	clip-on	hinges for thin materials	Blum Hettich	01.25 01.52
	clip-on	hinges for thick doors	Blum Hettich	01.27 01.52; 01.63
	clip-on	hinges for glass doors	Strong Blum Hettich	01.14 01.31 01.68
	clip-on	hinges for thin aluminium frames	Strong Blum Hettich	01.10 01.30 01.55
		mechanisms for handleless opening	Strong Blum Hettich	01.7; 01.17 01.36 01.57; 01.62

<p><b>full overlay</b></p> 	<p><b>clip-on</b></p>	<p>with soft closing <b>S5: 01.8; S3: 01.11</b>                      without soft closing <b>S5: 01.8; S3: 01.11</b>                      without spring <b>S3: 01.11</b></p>
	<p><b>slide-on</b></p>	<p>with soft closing <b>S3: 01.15</b>                      without soft closing <b>S3: 01.15</b></p>
<p><b>half overlay</b></p> 	<p><b>clip-on</b></p>	<p>with soft closing <b>S5: 01.8; S3: 01.11</b>                      without soft closing <b>S5: 01.8; S3: 01.11</b>                      without spring <b>S3: 01.11</b></p>
	<p><b>slide-on</b></p>	<p>without soft closing <b>S3: 01.15</b></p>
<p><b>inset</b></p> 	<p><b>clip-on</b></p>	<p>with soft closing <b>S5: 01.9; S3: 01.12</b>                      without soft closing <b>S5: 01.9; S3: 01.12</b>                      without spring <b>S3: 01.12</b></p>
	<p><b>slide-on</b></p>	<p>without soft closing <b>S3: 01.15</b></p>
	<p><b>30°</b></p>	<p>with soft closing <b>S3: 01.13</b>                      without soft closing <b>S3: 01.13</b>                      without spring <b>S3: 01.13</b></p>
	<p><b>45°</b></p>	<p>with soft closing <b>S5: 01.9; S3: 01.13</b>                      without soft closing <b>S3: 01.13</b></p>

	<b>hinges for glass doors</b>	with soft closing	<b>S3: 01.14</b>
	<b>Mini hinges</b>	without soft closing	<b>S3: 01.16</b>
	<b>90° (blind corner)</b>	with soft closing without soft closing without spring	<b>S5: 01.10; S3: 01.13 S3: 01.13 S3: 01.13</b>
	<b>155° (no overlay into the interior of the cabinet)</b>	with soft closing without soft closing without spring	<b>S5: 01.9; S3: 01.12 S3: 01.12 S3: 01.12</b>
	<b>155°/165° (full overlay, half overlay and inset)</b>	with soft closing without soft closing without spring	<b>S5: 01.9; S3: 01.12</b>
	<b>hinges for thin aluminium frames</b>	with soft closing	<b>01.10</b>
	<b>mechanisms for handleless opening</b>		<b>01.7 01.17</b>

# StrongHinges mechanism for handleless opening with soft closing

## Smootis

- handleless opening,
- soft closing,
- all in combination with spring hinges (without damping)



The product has received TÜV, SGS, and UKAS certification for 60 000 cycles.

- The door opens by pressing on its surface, ideally as close as possible to the point where the mechanism is located.
- The same mechanism dampens the door movement upon closing.
- For optimal activation, the extension of the closed mechanism can be adjusted by +5 mm.
- Easy assembly with 4 screws.

Assembling as close to the centre of the door as possible, at the following distances:

- for cabinet bodies up to 450 mm in width – as far from the hinges as possible,
- for cabinet bodies wider than 450 mm (max. 600 mm) – 450 mm from the hinges.
- The mechanism is then covered with a cover cap for a clean finish.
- Thanks to its dimensions, it does not take up much space inside the cabinet.

## White

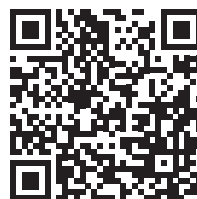
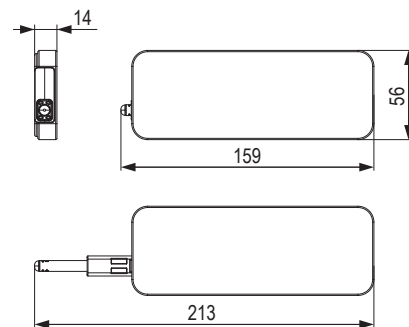
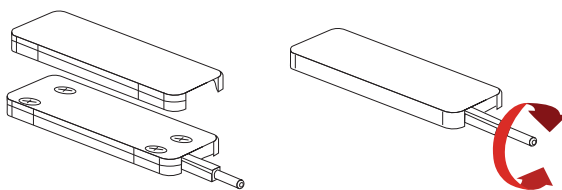


code	model	description
<b>513983</b>	light	2 hinges with spring and door weighing 4-6 kg
<b>513984</b>	standard	4 hinges with spring and door weighing 12-17 kg
<b>513985</b>	heavy	5 hinges with spring and door weighing 17-22 kg

## Light grey



code	model	description
<b>506462</b>	light	2 hinges with spring and door weighing 4-6 kg
<b>506463</b>	standard	4 hinges with spring and door weighing 12-17 kg
<b>506464</b>	heavy	5 hinges with spring and door weighing 17-22 kg



# StrongHinges S5 for clipping onto a mounting plate

## S5 complete sets hinge + mounting plate



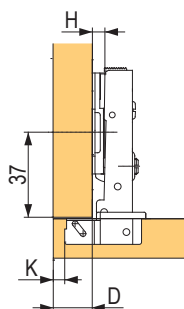
description	hinge with soft closing + mounting plate			hinge with soft closing + mounting plate		
	H0 screw	H0 euro screw	H0 screw + cam	H0 screw	H0 euro screw	H0 screw + cam
full overlay	<b>549320</b>	<b>549321</b>	<b>549322</b>	<b>549317</b>	<b>549318</b>	<b>549319</b>
inset	<b>549323</b>	<b>549324</b>	<b>549325</b>	<b>550636</b>	<b>550637</b>	<b>550638</b>
half overlay	<b>549607</b>	<b>549608</b>	<b>549609</b>	<b>549604</b>	<b>549605</b>	<b>549606</b>

### Full overlay



**D=K+11-H**

- possible adjustment  $D \pm 3$  mm
- min./max. applicable door thickness for the given hinge



code	description
<b>92580T</b>	with soft closing
<b>198818</b>	without soft closing <sup>1)</sup>

<sup>1)</sup> suitable for use with the 92580T hinge (for small doors)

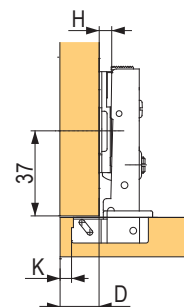
- 110° opening angle
- ☑ recommended plates H0: screw with cam 92594T, screw 92590T, with euro screws 92591T, for other plates, see p. 01.10

### Full overlay – set with mounting plates and cover caps



**D=K+11-H**

- possible adjustment  $D \pm 3$  mm
- min./max. applicable door thickness for the given hinge



code	description
<b>127781</b>	with pre-mounted H0 plate, cover cap and arm

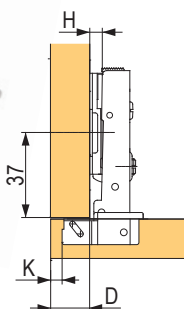
- individual sets packed separately in a bag

### Full overlay – set with mounting plate and cover caps (made of stainless steel)



**D=K+11-H**

- min./max. applicable door thickness for the given hinge



code	description
<b>405459</b>	with H0 plate with cam, cup cover caps and arm, screw 4 pcs

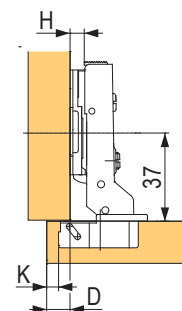
- individual sets packed separately in a bag

### Half overlay



**D=K+1-H**

- possible adjustment  $D \pm 3$  mm
- min./max. applicable door thickness for the given hinge



code	description
<b>92581T</b>	with integrated soft closing
<b>198819</b>	without soft closing <sup>1)</sup>

<sup>1)</sup> suitable for use with the 92581T hinge (for small doors)

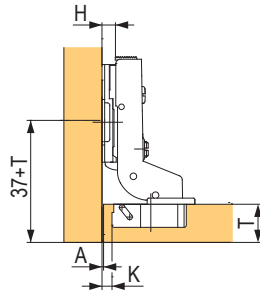
- 110° opening angle

- ☑ recommended plates H0: screw with cam 92594T, screw 92590T, with euro screws 92591T, for other plates, see p. 01.10

# StrongHinges S5 for clipping onto a mounting plate



## Inset



**A=(6-K)+(H+2)**

- possible adjustment A is ± 3 mm
- min./max. applicable door thickness for the given hinge

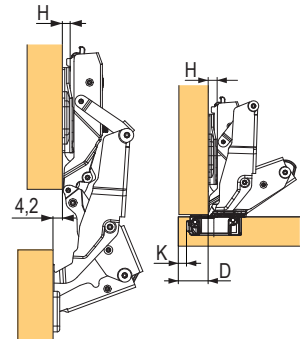
code	description
<b>92582T</b>	with integrated soft closing
<b>198820</b>	without soft closing <sup>1)</sup>

<sup>1)</sup> suitable for use with the 92582T hinge (for small doors)

- 110° opening angle

☑ recommended H2 plates: screw 92592T, with euro screws 92593T, for other plates see p. 01.10

## Full overlay 155° for cabinets with internal drawers



**D=K+6-H**

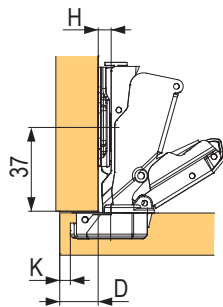
- possible adjustment D ± 5 mm
- min./max. applicable door thickness for the given hinge

code	description
<b>354224</b>	with integrated soft closing

- the doors do not interfere with the interior of the cabinet body at 90° opening angle (they do not interfere with the output path of the inner drawers)

☑ recommended H0 plates: screw with cam 92594T, screw 92590T, with euro screws 92591T, for other plates see p. 01.10

## Full overlay 165°



**D=K+11-H**

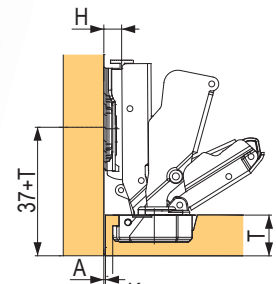
- possible adjustment D ± 3 mm
- min./max. applicable door thickness for the given hinge

code	description
<b>205543</b>	with integrated soft closing

☑ recommended H0 plates: screw with cam 92594T, screw 92590T, with euro screws

92591T, for other plates see p. 01.10

## Inset 165°



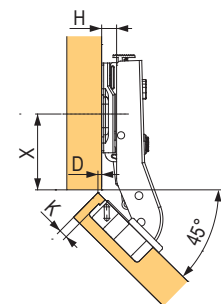
**A=(6-K)+(H-2)**

- possible adjustment A is ± 2 mm
- min./max. applicable door thickness for the given hinge

code	description
<b>191109</b>	with integrated soft closing

☑ recommended H2 plates: screw 92592T, with euro screws 92593T, for other plates see p. 01.10

## Full overlay 45°



**X=37-(K-3) / D=(K-3)-H**

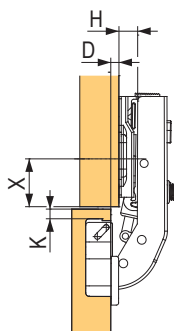
- possible adjustment D ± 3 mm
- min./max. applicable door thickness for the given hinge

code	description
<b>92583T</b>	with integrated soft closing

☑ recommended plates H0: screw with cam 92594T, screw 92590T, with euro screws 92591T for other plates, see p. 01.10

# StrongHinges S5 for clipping onto a mounting plate

## Straight 90°



$$X=20-(K-3) / D=(K-3)-H$$

- possible adjustment  $D \pm 3$  mm
- min./max. applicable door thickness for the given hinge

code	description
<b>191110</b>	with integrated soft closing

- recommended plates H0: screw with cam 92594T, screw 92590T, with euro screws 92591T
- ☑ for other plates, see p. 01.10

## Full overlay for aluminium frames



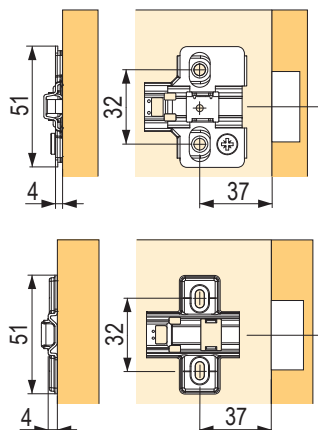
$$D=K+11-H$$

- possible adjustment  $D \pm 3$  mm
- min./max. applicable door thickness for the given hinge

code	description
<b>92584T</b>	with integrated soft closing

- recommended plates H0: screw with cam 92594T, screw 92590T, with euro screws 92591T
- ☑ for other plates, see p. 01.10
- 110° opening angle

## Plates



## Cover caps

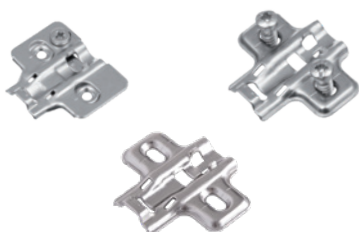


The cover cap can be printed with any logo.

code	description
<b>92596T</b>	hinge cup cover cap
<b>92597T</b>	arm cover cap for full overlay hinges

- you can have the arm cover cap printed (logo, picture, text...)
- ☑ only for hinges from p. 01.13 - 01.15

## H0



code	description
<b>92594T</b>	with cam, for screw fixing
<b>92590T</b>	for screw fixing
<b>92591T</b>	with euro screws

## H2



code	description
<b>397954</b>	with cam, for screw fixing
<b>92592T</b>	for screw fixing
<b>92593T</b>	with euro screws

## H4



code	description
<b>206011</b>	for screw fixing

## S3 complete sets hinge + mounting plate

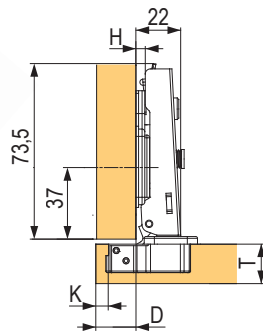


description	hinge without soft closing			hinge with soft closing			hinge without spring		
	mounting plate H0 screw	pad H0 euro screw	pad H0 screw + cam	mounting plate H0 screw	pad H0 euro screw	pad H0 screw + cam	mounting plate H0 screw	pad H0 euro screw	pad H0 screw + cam
full overlay	<b>549625</b>	<b>549626</b>	<b>549624</b>	<b>549622</b>	<b>549623</b>	<b>549621</b>	<b>549628</b>	<b>549629</b>	<b>549627</b>
inset	<b>549643</b>	<b>549644</b>	<b>549642</b>	<b>549640</b>	<b>549641</b>	<b>549639</b>	<b>549646</b>	<b>549647</b>	<b>549645</b>
half overlay	<b>549634</b>	<b>549635</b>	<b>549633</b>	<b>549631</b>	<b>549632</b>	<b>549630</b>	<b>549637</b>	<b>549638</b>	<b>549636</b>

### Full overlay with cam



version with dowel



#### D=K+10-H

- possible adjustment  $D \pm 4$  mm
- min./max. applicable door thickness for the given hinge

code	description
<b>350827</b>	with soft closing, for screw fixing
<b>350834</b>	without soft closing, for screw fixing
<b>387304</b>	with soft closing, with dowels with diameter 10 mm
<b>350837</b>	without spring <sup>1)</sup> , for screw fixing
<b>387311</b>	knock-in, dowel with diameter 10 mm
<b>350840</b>	without soft closing, without cam, for screw fixing

<sup>1)</sup>for handleless opening mechanisms see p. 01.23 - 01.24

- 110° opening angle
- recommended plates H0: screw with cam 315856, screw 92596, with euro screws 92597
- ☑ for other plates, see p. 01.14

### Half overlay with cam



350828

code	description
<b>350828</b>	with soft closing, for screw fixing
<b>350835</b>	without soft closing, for screw fixing
<b>350838</b>	without spring <sup>1)</sup> , for screw fixing

- recommended plates H0: screw with cam 315856, screw 92596, with euro screws 92597
- 110° opening angle
- ☑ for other plates, see p. 01.14
- ☑ <sup>1)</sup>for handleless opening mechanisms, see p. 01.23 - 01.24

### Full overlay – sets with pre-assembled mounting plate



350832

#### <sup>1)</sup>set includes:

- 2 pcs of hinges with pre-mounted plates
- 2 pcs of cup cover caps
- 2 pcs of hinge arm cover caps
- 8 pcs of screws

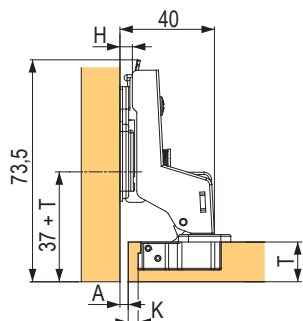
code	description
<b>350830</b>	with H0 plate, for screw fixing
<b>350831</b>	with H0 plate with euro screws
<b>350832</b>	with H0 plate with cam, cup cover caps and arm <sup>1)</sup>

# StrongHinges S3 for clipping onto a mounting plate

## Inset with cam



version with dowel



$$A = (6 - K) + (H + 2)$$

- possible adjustment A is  $\pm 4$  mm
- min./max. applicable door thickness for the given hinge

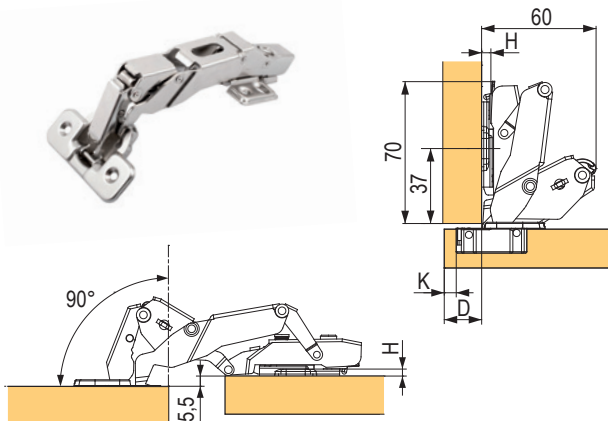
code	description
<b>350829</b>	with soft closing, for screw fixing
<b>387310</b>	with soft closing, with dowels with diameter 10 mm
<b>350836</b>	without soft closing, for screw fixing
<b>350839</b>	without spring <sup>1)</sup> , for screw fixing

- recommended H2 plates: screw with cam 350868, screw 92598, with euro screws 92599
- 110° opening angle

for other plates, see p. 01.14

<sup>1)</sup> for handleless opening mechanisms see p. 01.17 - 18

## Full overlay 155° for cabinets with internal drawers



$$D = K + 10 - H$$

- possible adjustment D  $\pm 4$  mm
- min./max. applicable door thickness for the given hinge

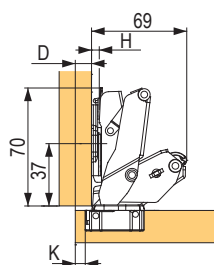
code	description
<b>350849</b>	with soft closing
<b>350852</b>	without soft closing
<b>350853</b>	unsprung <sup>1)</sup>

- recommended plates H0: screw with cam 315856, screw 92596, with euro screws 92597

for other plates, see p. 01.14

<sup>1)</sup> for handleless opening mechanisms see p. 01.17 - 18

## Half overlay 155°



$$D = K + 1 - H$$

- possible adjustment D  $\pm 4$  mm
- min./max. applicable door thickness for the given hinge

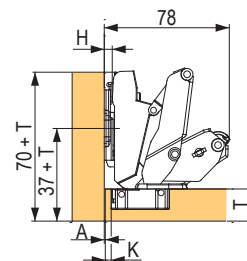
code	description
<b>350850</b>	with soft closing

- recommended plates H0: screw with cam 315856, screw 92596, with euro screws 92597

for other plates, see p. 01.14

<sup>1)</sup> for handleless opening mechanisms see p. 01.17 - 18

## Inset 155°



$$A = (6 - K) + (H + 2)$$

- possible adjustment A is  $\pm 4$  mm
- min./max. applicable door thickness for the given hinge

code	description
<b>350851</b>	with soft closing

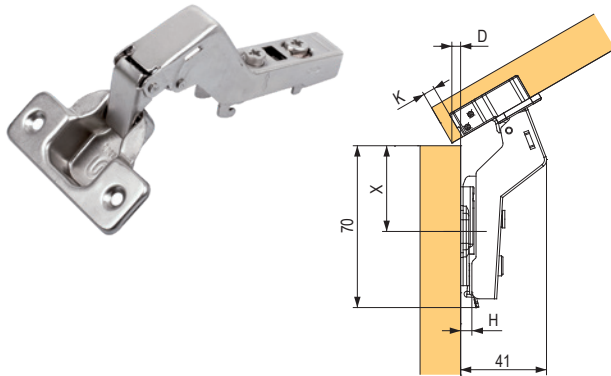
- recommended H2 plates: screw with cam 350868, screw 92598, with euro screws 92599

for other plates, see p. 01.14

<sup>1)</sup> for handleless opening mechanisms, see p. 01.17 - 18

# StrongHinges S3 for clipping onto a mounting plate

## Full overlay 30°



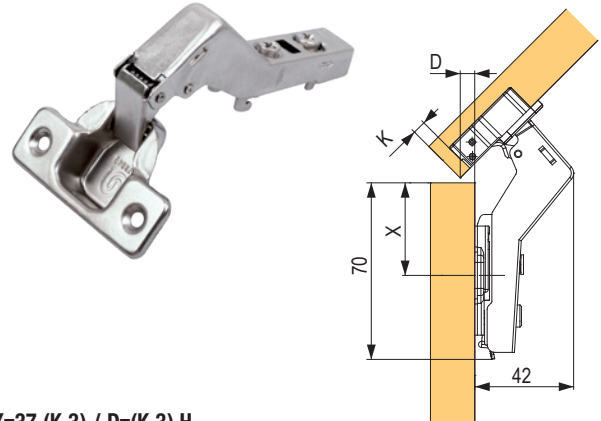
**X=37-(K-3) / D=(K-4,6)-H**

- possible adjustment  $D \pm 4$  mm
- min./max. applicable door thickness for the given hinge

code	description
<b>350854</b>	with soft closing
<b>350855</b>	without soft closing
<b>350856</b>	unsprung <sup>1)</sup>

- recommended plates H0: screw with cam 315856, screw 92596, with euro screws 92597
- ☑ for other plates, see p. 01.14
- ☑<sup>1)</sup> for handleless opening mechanisms see p. 01.17 - 18

## Full overlay 45°



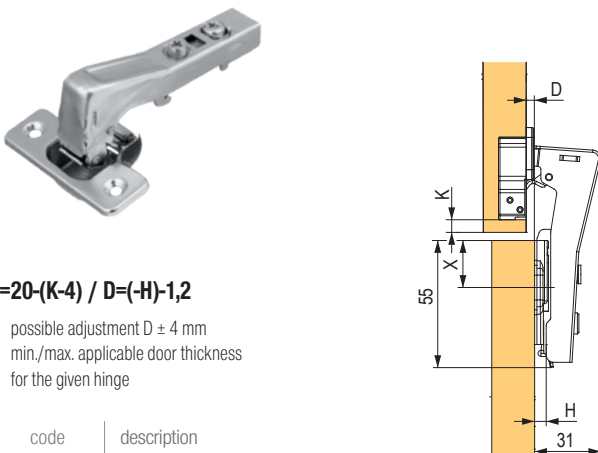
**X=37-(K-3) / D=(K-3)-H**

- possible adjustment  $D \pm 4$  mm
- min./max. applicable door thickness for the given hinge

code	description
<b>350857</b>	with soft closing
<b>350858</b>	without soft closing

- recommended plates H0: screw with cam 315856, screw 92596, with euro screws 92597
- ☑ for other plates, see p. 01.14
- ☑<sup>1)</sup> for handleless opening mechanisms, see p. 01.17 - 18

## Straight 90°



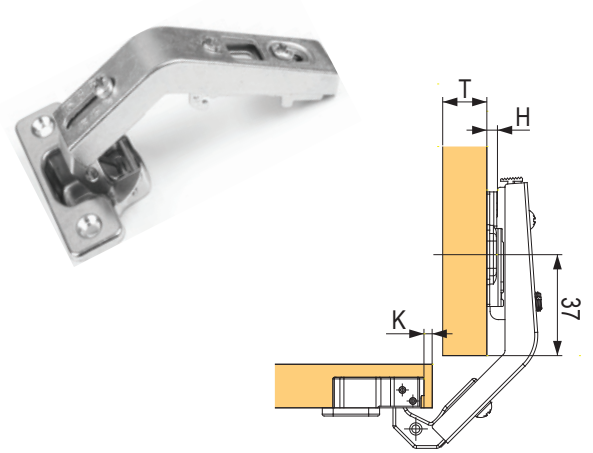
**X=20-(K-4) / D=(-H)-1,2**

- possible adjustment  $D \pm 4$  mm
- min./max. applicable door thickness for the given hinge

code	description
<b>350860</b>	with soft closing
<b>350861</b>	without soft closing
<b>350862</b>	unsprung <sup>1)</sup>

- recommended plates H0: screw with cam 315856, screw 92596, with euro screws 92597
- ☑ for other plates, see p. 01.14
- ☑<sup>1)</sup> for handleless opening mechanisms, see p. 01.17 - 18

## Cranked 135°



code	description
<b>92590</b>	without soft closing

- recommended H0 plates: screw with cam 315856, screw 92596, with euro screws 92597
- ☑ for other plates, see p. 01.14

# StrongHinges S3 glass hinges, mounting plates and cover caps

## Full overlay



code	description
<b>198893</b>	full overlay hinge for drilled glass, clip-on with soft closing

## Inset



code	description
<b>198894</b>	inset hinge for drilled glass, clip-on with soft closing

## Counterpart with cover cap



code	description	material
<b>198896</b>	glass hinge cover cap	chrome
<b>198897</b>		nickel
<b>198898</b>		black

## H0



code	description
<b>315856</b>	with cam, for screw fixing
<b>92596</b>	for screw fixing
<b>361125</b>	for screw fixing with four holes
<b>92597</b>	with euro screws

## H2



code	description
<b>350868</b>	with cam, for screw fixing
<b>92598</b>	for screw fixing
<b>361126</b>	for screw fixing with four holes
<b>92599</b>	with euro screws

## H4

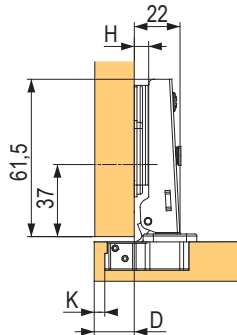


code	description
<b>350869</b>	with cam, for screw fixing
<b>350870</b>	for screw fixing
<b>350871</b>	with euro screws

# StrongHinges S3 for sliding onto a plate



## Full overlay



**D=K+10-H**

- possible adjustment  $D \pm 4$  mm
- min./max. applicable door thickness for the given hinge

code	description
<b>350844</b>	without soft closing
<b>350843</b>	with soft closing <sup>1)</sup>
<b>351855</b>	without soft closing, with pre-mounted euro screws

<sup>1)</sup> a new solution for soft closing, the hinge can be demounted from the plate

- recommended H0 plates: screw 350872,

with euro screws 350875

- identical hinge design with version without soft closing

☑ for other plates, see p. 01.15

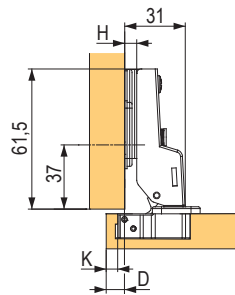
## Full overlay – sets



code	description
<b>350847</b>	without soft closing, H0, for screw fixing
<b>350848</b>	without soft closing, H0 with euro screws

- all sets come always with a pre-assembled plate on the hinge

## Half overlay



**D=K+1-H**

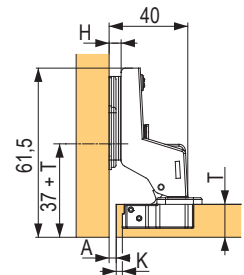
- possible adjustment  $D \pm 4$  mm
- min./max. applicable door thickness for the given hinge

code	description
<b>350845</b>	without soft closing

- recommended H0 plates: screw 350872, with euro screws 350875

☑ for other plates, see p. 01.15

## Inset



**A=(6-K)+(H+2)**

- possible adjustment  $A \pm 4$  mm
- min./max. applicable door thickness for the given hinge

code	description
<b>350846</b>	without soft closing

- recommended H2 plates: screw 350873, with euro screws 350876

☑ for other plates, see p. 01.15

## H0



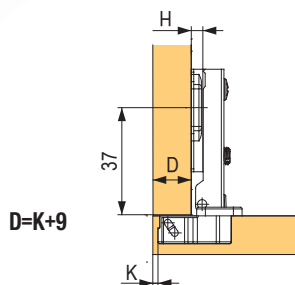
code	description
<b>350872</b>	for screw fixing
<b>350875</b>	with euro screws

## H2



code	description
<b>350873</b>	for screw fixing
<b>350876</b>	with euro screws

## Mini full overlay slide-on

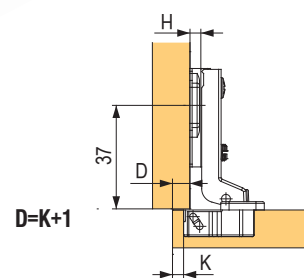


- possible adjustment D is +2 mm / -2 mm
- min./max. applicable door thickness for the given hinge

code	description
<b>92521</b>	without soft closing, including H0 plate, for screw fixing
<b>92528</b>	without soft closing, including H0 plate with euro screws

- 95° opening angle
- maximum door thickness 22 mm

## Mini half overlay slide-on

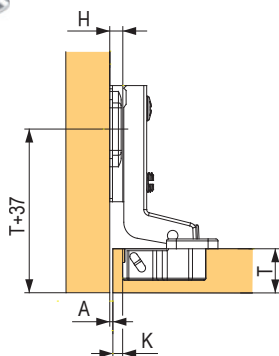


- possible adjustment D is +2 mm / -2 mm
- min./max. applicable door thickness for the given hinge

code	description
<b>92522</b>	without soft closing, including H0 plate

- 95° opening angle
- maximum door thickness 22 mm

## Mini inset slide-on



**D=K-2**

- possible adjustment A is +2 mm / -2 mm
- min./max. applicable door thickness for the given hinge

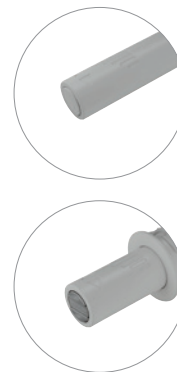
code	description
<b>92523</b>	without soft closing, including H0 plate

- 95° opening angle
- maximum door thickness 22 mm

# handleless opening mechanisms

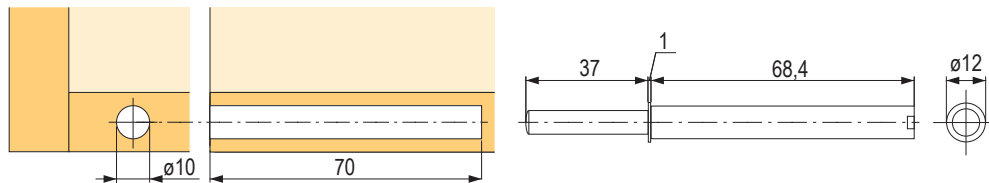
## K-Push for drilling-in or with adapter

type	sliding length (mm)	force	colour	pin	adapter	adapter plate
with buffer	37	regular	grey	<b>499427</b>	<b>504238</b>	<b>499448</b>
			white	<b>499428</b>	<b>499442</b>	<b>499447</b>
			black	<b>499429</b>	<b>499444</b>	<b>499449</b>
		extra strong	grey	<b>372387</b>	<b>504238</b>	<b>499448</b>
			white	<b>403061</b>	<b>499442</b>	<b>499447</b>
			black	<b>403060</b>	<b>499444</b>	<b>499449</b>
	14	regular	grey	<b>499430</b>	<b>372384</b>	<b>504239</b>
			white	<b>499431</b>	<b>499441</b>	<b>499445</b>
			black	<b>499432</b>	<b>499443</b>	<b>499446</b>

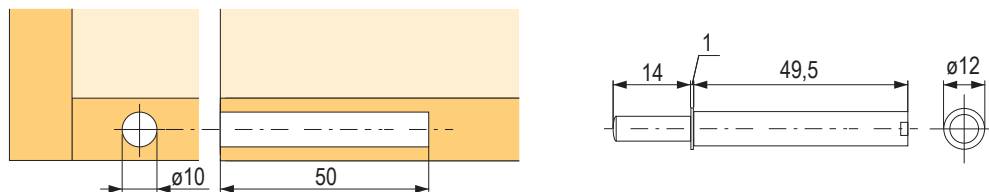


- counterpart for gluing to pins with magnet - 517607
- counterpart for drilling to pins with magnet - 369757

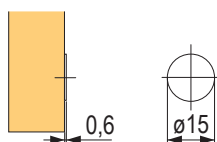
### Extension pin drilling and dimensions, 37 mm



### Extension pin drilling and dimensions, 14 mm



### Size of counterpart to be adhered

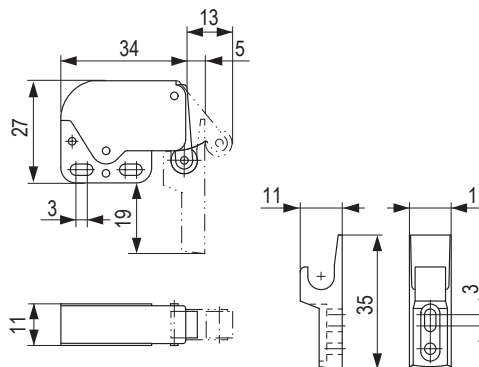
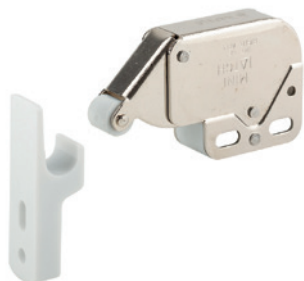


### Drilling and dimensions of the counterpart for drilling-in



# handleless opening mechanisms

## Mechanism for springless hinges

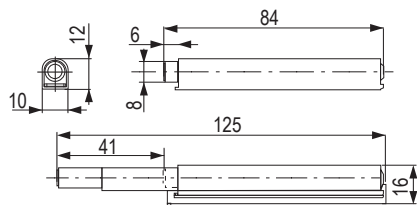


code	description
<b>92985</b>	metal + plastic

- plastic counterpart can also be purchased separately as 165458 code
- suitable for use in combination with springless hinges

## StrongHinges – pin mechanisms for handleless opening

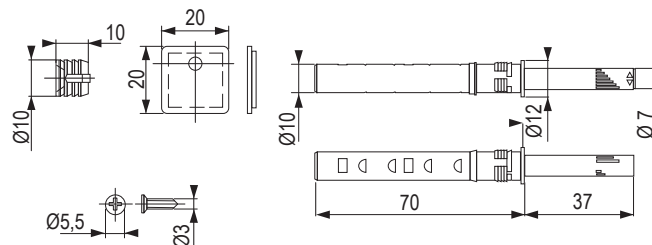
### With adapter



colour	
white	grey
<b>399709</b>	<b>399708</b>

- magnetic PTO mechanism with cabinet body clip
- Package includes:
- PTO mechanism
  - adapter
  - 3 screws
  - counterpart plate for screw fixing
  - screw with dowel with a diameter of 10 mm (for possible fixing of the counterpart plate)

### For drilling-in

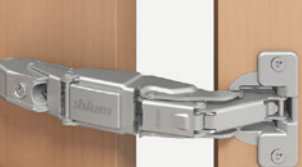
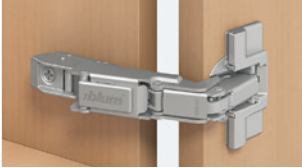






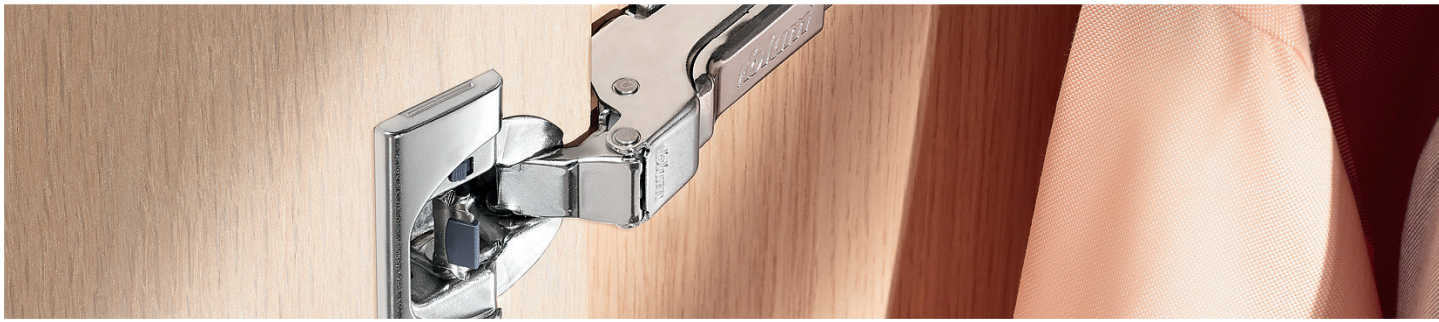
colour
grey
<b>399710</b>









- magnetic PTO mechanism for 10 mm drilling-in hole
- Package includes:
- PTO mechanism
  - screw with dowel with a diameter of 10 mm (for possible fixing of the counterpart plate)
  - counterpart plate with M3 tape

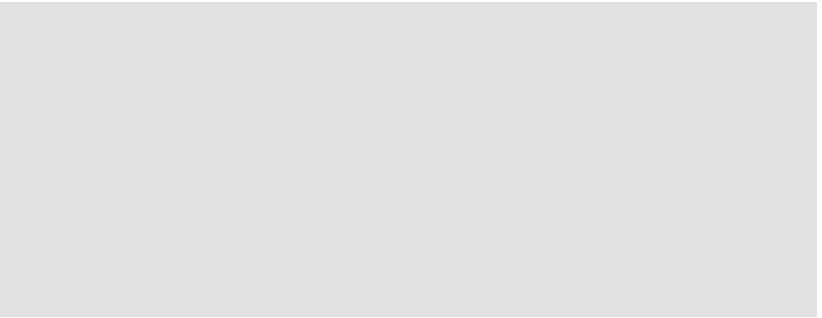


	<b>110°</b>	with BLUMOTION with closing spring unsprung TIP-ON	<b>01.23</b>
	<b>ONYX</b>	with BLUMOTION with closing spring unsprung TIP-ON	<b>01.33</b>
	<b>blind corner full overlay</b>	with BLUMOTION with closing spring	<b>01.24</b>
	<b>blind corner inset</b>	with BLUMOTION with closing spring unsprung TIP-ON	<b>01.24</b>
	<b>100°</b>	with closing spring unsprung TIP-ON	<b>01.25</b>
	<b>thick doors</b>	with BLUMOTION with closing spring unsprung TIP-ON	<b>01.27</b>
	<b>155° zero protrusion</b>	with BLUMOTION with closing spring unsprung TIP-ON	<b>01.28</b>

	<b>125° zero protrusion</b>	with BLUMOTION with closing spring	<b>01.28</b>
	<b>170°</b>	with closing spring without spring TIP-ON	<b>01.29</b>
	<b>folding doors of a corner cabinet</b>	with closing spring	<b>01.29</b>
	<b>95° doors with aluminium frames</b>	with BLUMOTION	<b>01.30</b>
	<b>95° doors with aluminium frames</b>	with closing spring without spring TIP-ON	<b>01.30</b>
	<b>glass doors</b>	with closing spring	<b>01.31</b>
	<b>module</b>	with closing spring	<b>01.43</b>

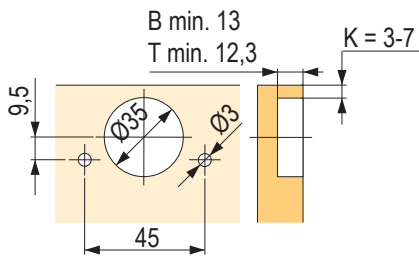


	<b>CRISTALLO</b>	with BLUMOTION with closing spring without spring TIP-ON	<b>01.32</b>
	<b>CRISTALLO glass cases</b>	with BLUMOTION with closing spring without spring TIP-ON	<b>01.32</b>
	<b>overlapping fronts</b>	with BLUMOTION	<b>01.32</b>
	<b>thin materials</b>	with BLUMOTION with closing spring without spring TIP-ON	<b>01.25</b>
	<b>angled</b>	with BLUMOTION with closing spring without spring TIP-ON	<b>01.40</b>
	<b>for built-in fridge</b>	with closing spring	<b>01.44</b>
	<b>TIP-ON mechanisms pistons, adapters, counterparts</b>		<b>01.36</b>
	<b>templates</b>		<b>01.39</b>



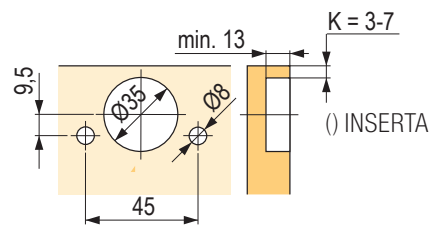
**Screw-on mounting**

**B** CLIP top BLUMOTION  
**T** CLIP top

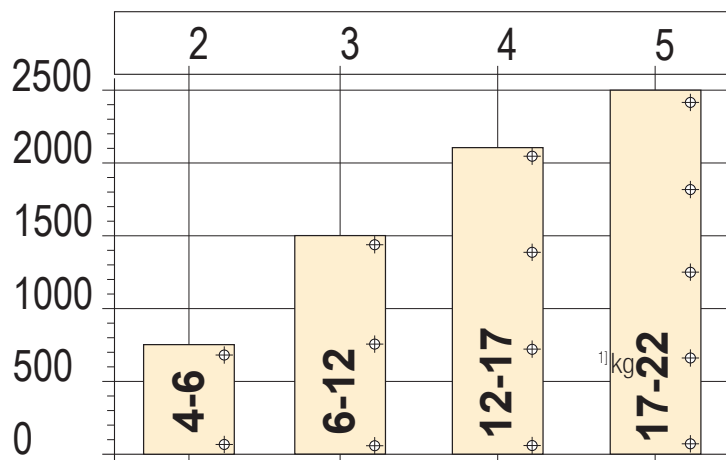


**Inserta assembly / knock-in / Expando**

**B** CLIP top BLUMOTION  
**T** CLIP top



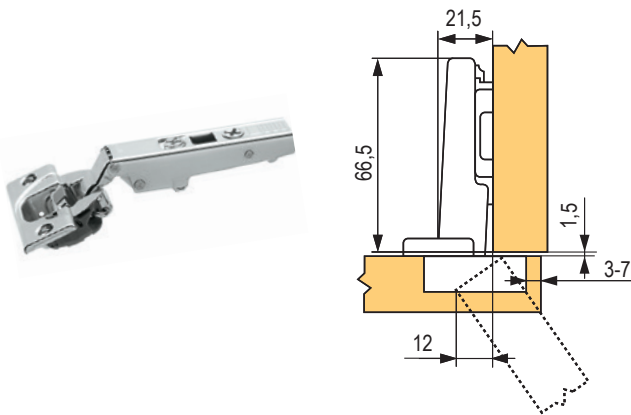
The number of hinges depends on the weight and height of the door front.



- 1 In order to achieve good stability, hinges should be placed as far apart as possible.
- 2 The loading and height data refer to a 600 mm wide door.

# CLIP top 110°

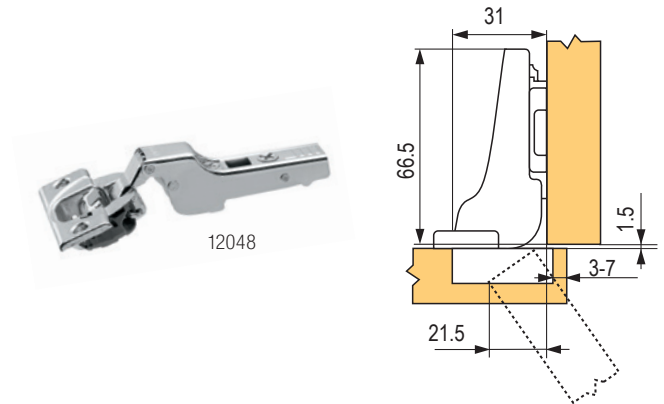
## Full overlay



motion	code	Blum code	cup mounting
with BLUMOTION	<b>12047</b>	71B3550	screw
	<b>12064</b>	71B358E	EXPANDO
	<b>131807</b>	71B3590	INSERTA
with spring	<b>12052</b>	71T3550	screw
	<b>118142</b>	71T358E	EXPANDO
	<b>157369</b>	71T3590	INSERTA
without spring	<b>226668</b>	70T3550.TL	screw
	<b>226669</b>	70T358E.TL	EXPANDO
	<b>177369</b>	70T3590.TL	INSERTA

- drilling depth for a cup 13 mm
- cup diameter 35 mm, hinge arm length 66.5–68 mm
- 110° opening angle
- door thickness from 16 to 26 mm

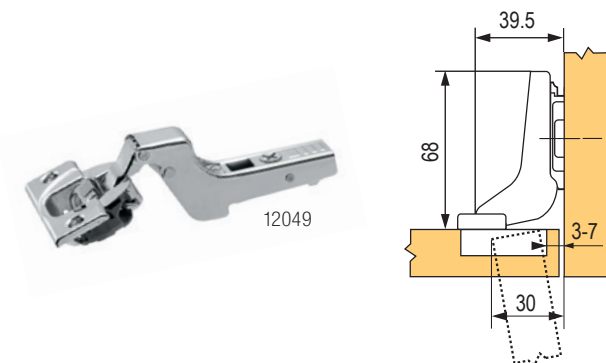
## Half overlay



motion	code	Blum code	cup mounting
with BLUMOTION	<b>12048</b>	71B3650	screw
	<b>12065</b>	71B368E	EXPANDO
	<b>177395</b>	71B3690	INSERTA
with spring	<b>12053</b>	71T3650	screw
	<b>118143</b>	71T368E	EXPANDO
	<b>177409</b>	71T3690	INSERTA
without spring	<b>226670</b>	70T3650.TL	screw
	<b>177372</b>	70T3690.TL	INSERTA

- option to offset the cup 3 to 7 mm from the edge
- drilling a hole for Expando (Inserta) 45/9.5 mm pitch / 8 mm diameter; use Ecodrill for assembly p. 01.39
- for further information, see the Blum catalogue

## Inset



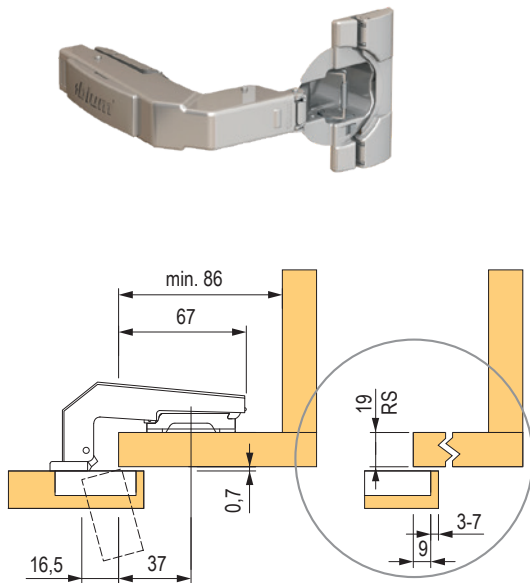
motion	code	Blum code	cup mounting
with BLUMOTION	<b>12049</b>	71B3750	screw
	<b>12066</b>	71B378E	EXPANDO
	<b>177398</b>	71B3790	INSERTA
with spring	<b>12059</b>	71T3750	screw
	<b>118144</b>	71T378E	EXPANDO
	<b>177411</b>	71T3790	INSERTA
without spring	<b>226671</b>	70T3750.TL	screw
	<b>177374</b>	70T3790.TL	INSERTA

Accessories



code	Blum code	description
<b>12042</b>	70T3504	cup cover cap
<b>12093</b>	70.1503	arm cover cap for full overlay hinge
<b>12011</b>	70.1663	arm cover cap for half overlay and inset hinges
<b>14144</b>	174E6102.03	dowel EXPANDO T 5 mm
<b>12196</b>	80.0582E	dowel EXPANDO T 8 mm
<b>12198</b>	621.1300	screw for dowel EXPANDO 8 mm
<b>12039</b>	70T3553	86° opening angle stop
<b>268987</b>	70T3507.21	distance plate for the hinge cup
<b>13681</b>	660.0950	screw for a wide aluminium frame

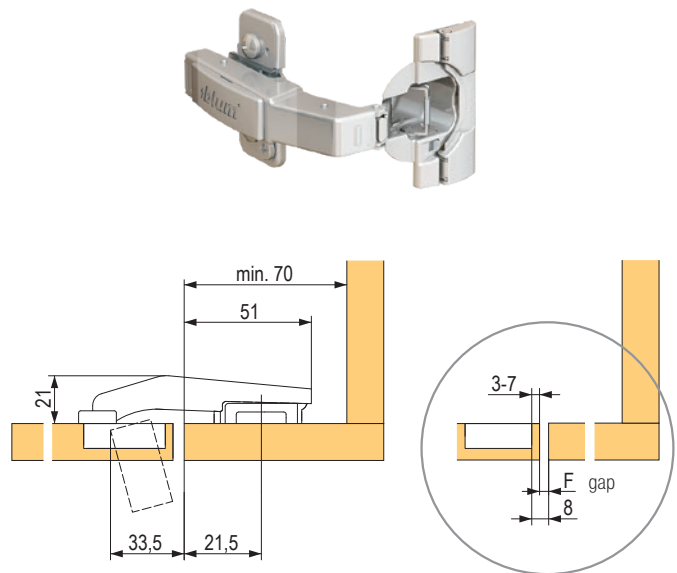
Full overlay for blind angle



motion	code	Blum code	cup mounting
with BLUMOTION	<b>203405</b>	79B9950	screw
with spring	<b>12083</b>	79T9950	screw

- hinges with and without soft closing cannot be combined
- the mounting plate for a full overlay hinge is determined by the thickness of the cabinet body material
- drilling depth for a cup 13 mm (12.3 mm without soft closing)
- cup diameter 35 mm
- minimum inner dimension of blind corner, door 70 mm (inset), 86 mm (full overlay)

Inset for blind angle



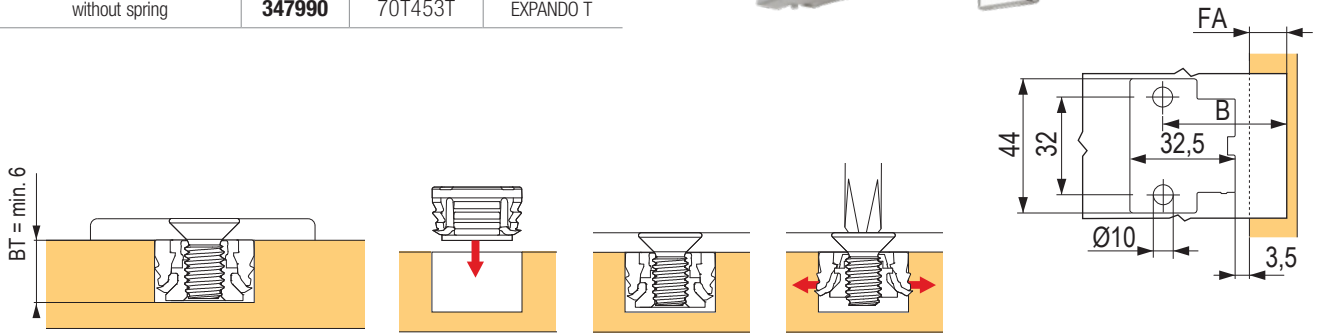
motion	code	Blum code	cup mounting
with BLUMOTION	<b>118122</b>	79B9550	screw
with spring	<b>13070</b>	79T9550	screw
	<b>12079</b>	79T958E	EXPANDO
TIP-ON	<b>166071</b>	78T9550.TL	screw

- 95° opening angle
- door thickness from 16 to 28 mm
- option to offset the cup 3 to 7 mm from the edge
- drilling a hole for EXPANDO 45 / 9.5 mm pitch / 8 mm diameter
- for further information, see the Blum catalogue
- the plate for inset hinges should be raised by 3 mm - e.g. 12341, 12303

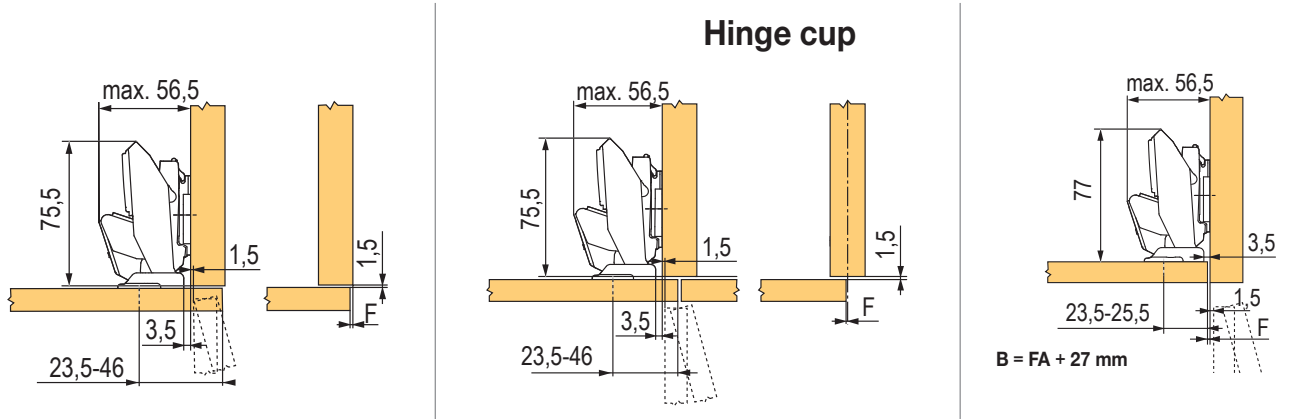
# CLIP top for thin doors

## 110° for thin doors

motion	code	Blum code	cup mounting
with BLUMOTION	<b>347988</b>	71B453T	EXPANDO T
with spring	<b>347989</b>	71T453T	EXPANDO T
without spring	<b>347990</b>	70T453T	EXPANDO T



## Hinges for thin materials



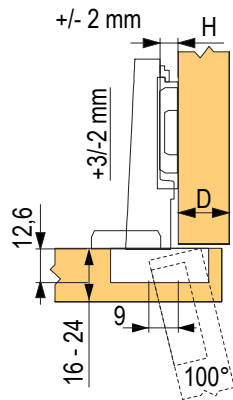
## Accessories

code	Blum code	description
<b>347984</b>	70.4503	arm cover cap
<b>347986</b>	70T4504	cup cover cap
<b>347982</b>	70T4503	opening angle stop to 85°
<b>347981</b>	70T4503.09	opening angle stop to 92°

☑ recommended plates: 203387, 211476, 12323, 12326, 12306, 12318, 12340, 12302, p. 01.37

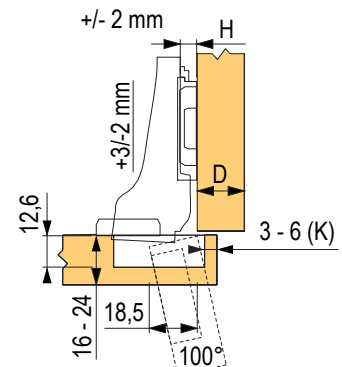
- hinge for door thickness 8–14 mm
  - EXPANDO T mounting system for the most diverse board materials
  - CLIP top BLUMOTION with integrated BLUMOTION (with deactivation)
  - CLIP top with a closing mechanism (spring) or without it (TIP-ON)
  - zero protrusion (for inner or shelf pull-outs)
  - installation without tools on a mounting plate
  - front adjustment in 3 directions
- Different installation configurations are achieved according to the respective screw-on position.**

Full overlay



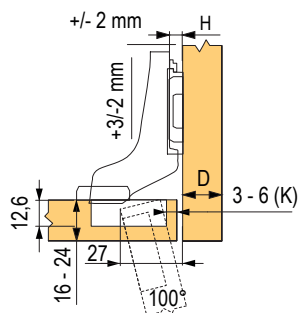
motion	code	Blum code	cup mounting
with spring	<b>12002</b>	71M2550	screw
	<b>12050</b>	71M258E	EXPANDO
without spring	<b>177364</b>	70M2550.TL	screw

Half overlay



motion	code	Blum code	cup mounting
with spring	<b>12005</b>	71M2650	screw
	<b>12051</b>	71M268E	EXPANDO
without spring	<b>224239</b>	70M2650.TL	screw

Inset



motion	code	Blum code	cup mounting
with spring	<b>12008</b>	71M2750	screw
	<b>12007</b>	71M278E	EXPANDO
without spring	<b>224240</b>	70M2750.TL	screw

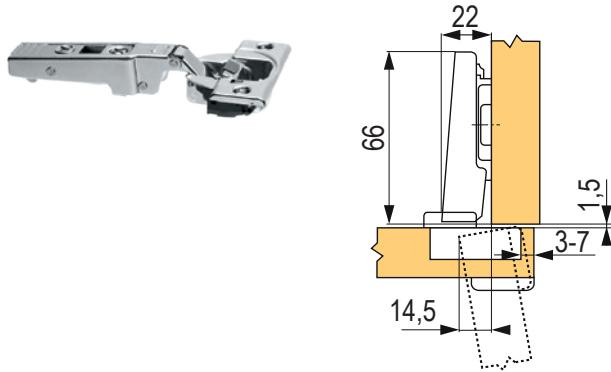
Dampers and cover caps CLIP top 100°



code	Blum code	description
<b>12391</b>	973A0500	Clip-on Blumotion for a full overlay hinge
<b>12385</b>	973A0600	Clip-on Blumotion for a half overlay hinge
<b>12386</b>	973A0700	Clip-on Blumotion for an inset hinge
<b>12271</b>	90M2503	arm cover cap for full overlay hinge

# CLIP top 95°, for thick door

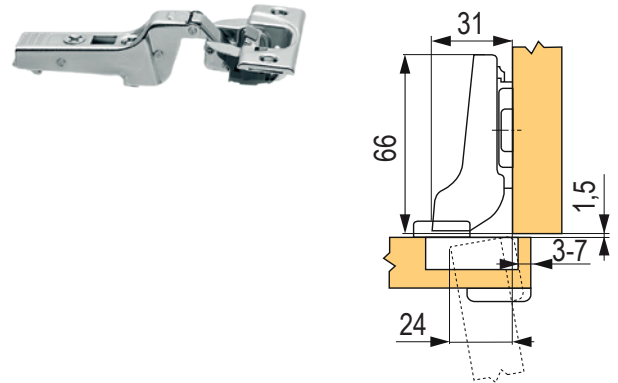
## Full overlay



motion	code	Blum code	cup mounting
with BLUMOTION	<b>118030</b>	71B9550	screw
with spring	<b>12060</b>	71T9550	screw
without spring	<b>177383</b>	70T9550.T	screw

- drilling depth for a cup 13 mm
- cup diameter 35 mm, arm length 66 mm
- 95° opening angle screw
- door thickness up to 32 mm
- offset of the cup 3 to 7 mm from the edge

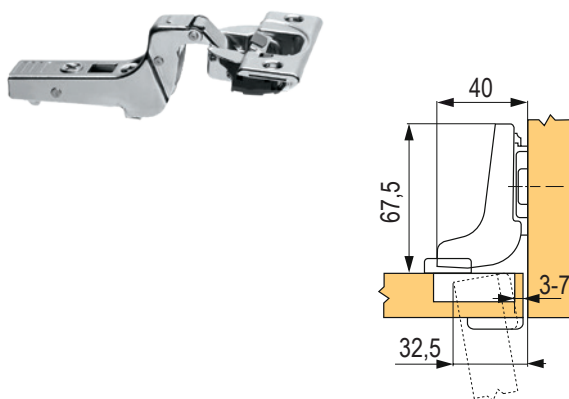
## Half overlay



motion	code	Blum code	cup mounting
with BLUMOTION	<b>118031</b>	71B9650	screw
with spring	<b>12063</b>	71T9650	screw

☑ recommended plates: 203387, 211476, 12323, 12326, 12306, 12318, 12340, 12302, p. 01.37

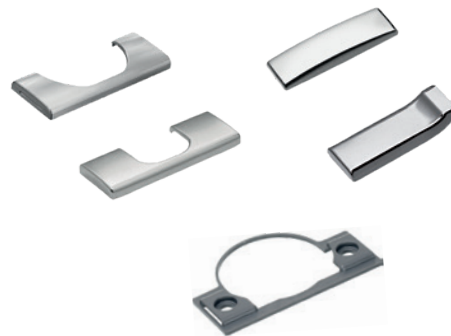
## Inset



motion	code	Blum code	cup mounting
with BLUMOTION	<b>118032</b>	71B9750	screw

ⓘ offset the plate screwing position by the thickness of the door + 1.5 mm

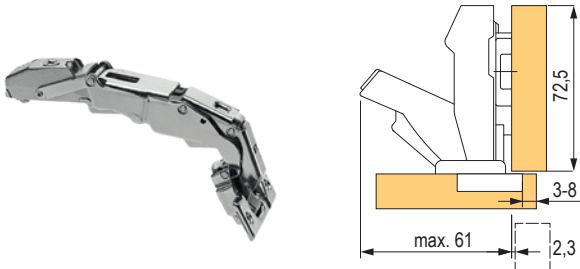
## Cover caps



code	Blum code	description
<b>12042</b>	70T3504	cup cover cap for hinges with soft closing
<b>12058</b>	70T1504	cup cover cap for hinges without soft closing
<b>12094</b>	70.1553	arm cover cap for full overlay hinge
<b>12011</b>	70.1663	arm cover cap for half overlay and inset hinges
<b>268987</b>	70T3507.21	distance plate for the hinge cup

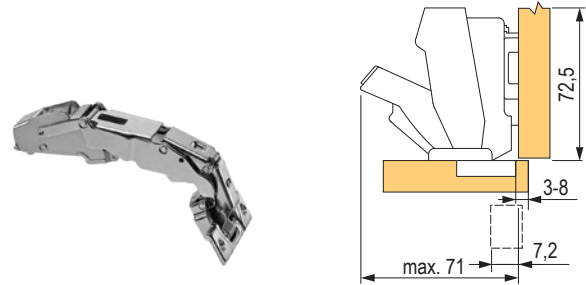
# CLIP top with opening angle 155° and 125°

## Full overlay, zero protrusion 155°



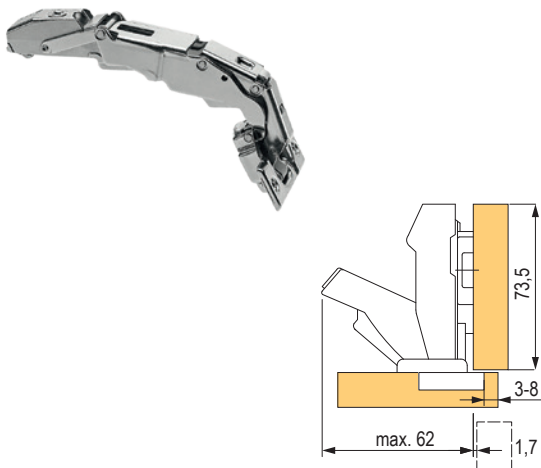
motion	code	Blum code	cup mounting
with BLUMOTION	<b>347923</b>	71B7550	screw
	<b>347925</b>	71B7590	INSERTA
with spring	<b>347929</b>	71T7550	screw
	<b>347931</b>	71T7590	INSERTA
without spring	<b>347953</b>	70T7550.TL	screw
	<b>347955</b>	70T7590.TL	INSERTA

## Half overlay, zero protrusion 155°



motion	code	Blum code	cup mounting
with BLUMOTION	<b>347926</b>	71B7650	screw
with spring	<b>347932</b>	71T7650	screw
without spring	<b>347938</b>	70T7650.TL	screw

## Full overlay, zero protrusion 125°



Max. front overlay

- offset the plate screwing position by the thickness of the door + 1.5 mm

motion	code	Blum code	cup mounting
with BLUMOTION	<b>347947</b>	71B7550D	screw

recommended plates: 203387, 211476, 12323, 12326, 12306, 12318, 12340, 12302, p. 01.45

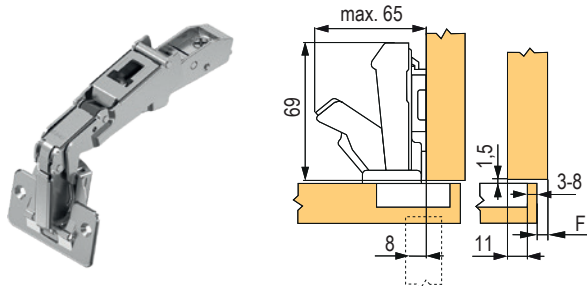
## Cover caps and opening angle stops



code	Blum code	description
<b>347984</b>	70.4503	arm cover cap
<b>347961</b>	70T7504	cup cover cap for 155°
<b>347956</b>	70T7553	110° opening angle stop
<b>347957</b>	70T553.09	92° opening angle stop

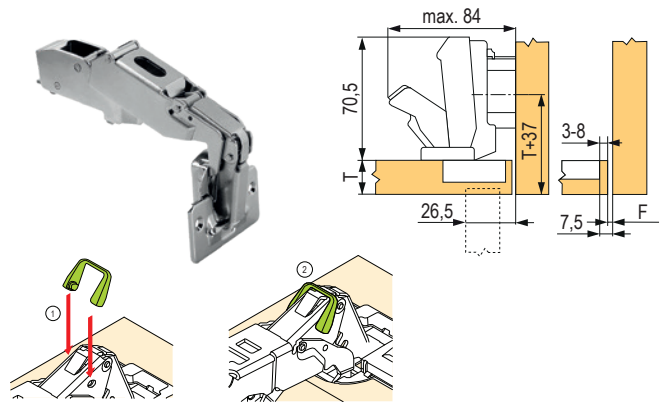
# CLIP top 170°, corner application

## Full overlay



motion	code	Blum code	cup mounting
	<b>13041</b>	71T6550	screw
with spring	<b>179411</b>	71T658E	EXPANDO
	<b>12044</b>	71T6540B	INSERTA
without spring	<b>177379</b>	70T6550.TL	screw

## Half overlay



motion	code	Blum code	cup mounting
with spring	<b>12045</b>	71T6650	screw

• inset door option - 12045 + plate raised by 9 mm (e.g. 12332)

## Accessories

code	Blum code	description
<b>12273</b>	80.6507	arm cover cap for 170°
<b>12384</b>	973A6000	clip-on damper for 170°



❗ Offset the plate screwing position by the thickness of the door + 1.5 mm.

code	Blum code	description
<b>12093</b>	70.1503	arm cover cap, without logo
<b>12393</b>	970.1002	BLUMOTION for drilling-in (handle site)

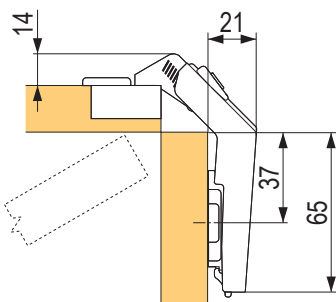


❗ recommended plates: 203387, 211476, 12323, 12326, 12306, 12318, 12340, 12302, p. 01.37

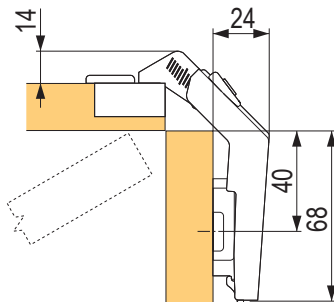
## Hinge for folding doors

motion	code	Blum code	cup mounting
with spring	<b>12112</b>	79T8500	screw
	<b>12113</b>	79T853E	EXPANDO

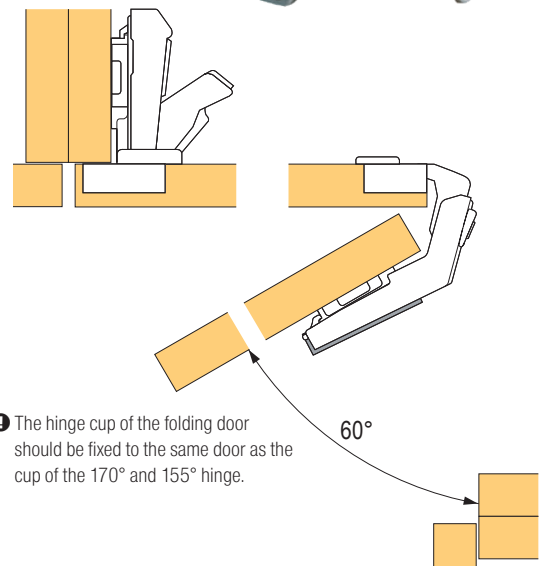
- for door thickness 15–23 mm
- in combination with hinges 155° or 170°
- 60° opening angle



❗ Factory setting of hinge overlay for 19 mm door thickness.



❗ Door overlay for door thickness 19 mm when using standard mounting plates, raised by 3 mm.



❗ The hinge cup of the folding door should be fixed to the same door as the cup of the 170° and 155° hinge.

# CLIP top for aluminium frames

## Full overlay



motion	code	Blum code	cup mounting
with BLUMOTION	<b>118033</b>	71B950A	screw

## Half overlay



motion	code	Blum code	cup mounting
with BLUMOTION	<b>118120</b>	71B960A	screw

## Inset



motion	code	Blum code	cup mounting
with BLUMOTION	<b>118121</b>	71B970A	screw

## Full overlay



motion	code	Blum code	cup mounting
with spring	<b>12106</b>	71T950A	screw
with spring, for Blumotion <sup>1)</sup>	<b>12103</b>	71T950AB	screw
without spring	<b>12109</b>	70T950A.TL	screw

<sup>1)</sup> 12391 clip-on BLUMOTION

## Half overlay



motion	code	Blum code	cup mounting
with spring	<b>12107</b>	71T960A	screw

<sup>1)</sup> 12385 clip-on BLUMOTION

## Inset



motion	code	Blum code	cup mounting
with spring	<b>12108</b>	71T970A	screw

- offset the plate screwing position by the thickness of the door + 2.5 mm

## Full overlay 120° (for Aventos HF)



motion	code	Blum code	cup mounting
without spring	<b>13764</b>	72T550A.TL	screw

recommended plates: 203387, 211476, 12323, 12326, 12306, 12318, 12340, 12302, p. 01.37

## Cover caps

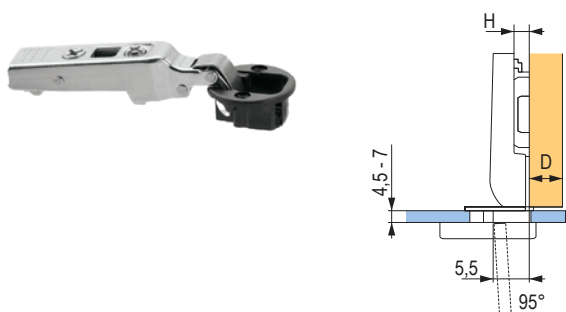


code	Blum code	description
<b>12094</b>	70.1553	arm cover cap for full overlay hinge
<b>12011</b>	70.1663	arm cover cap for half overlay and inset hinges

# CLIP top for glass doors



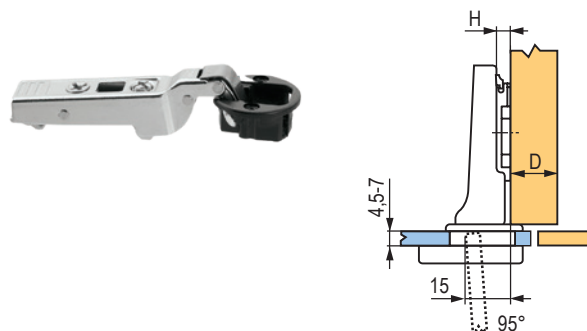
## Full overlay



motion	code	Blum code	cup mounting
with spring	<b>12080</b>	75T4100	screw

☑ recommended plates: 203387, 211476, 12323, 12326, 12306, 12318, 12340, 12302, p. 01.37

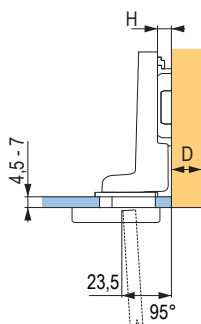
## Half overlay



motion	code	Blum code	cup mounting
with spring	<b>12081</b>	75T4200	screw

☑ recommended plates: 203387, 211476, 12323, 12326, 12306, 12318, 12340, 12302, p. 01.37

## Inset

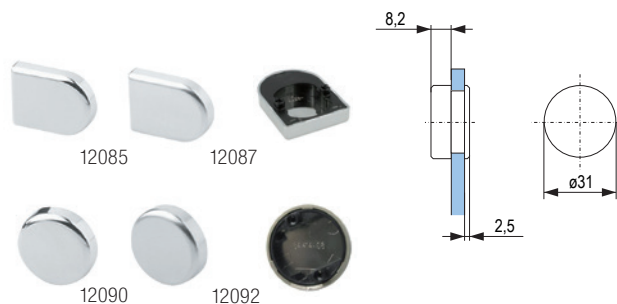


motion	code	Blum code	cup mounting
with spring	<b>12082</b>	75T4300	screw

- screws provided with the hinge
- cup drilling diameter 26 mm
- arm length 66 mm, inset 68 mm
- cover caps diameter 31 mm, length of oval one 41 mm
- 94° opening angle
- for drilled glass doors, thickness 4.5-7 mm
- option to offset the cup 6 to 7 mm from the edge
- for more information, see the Blum catalogue, available after registration at [www.katalog-blum.cz](http://www.katalog-blum.cz), or in the brochure available for download at [www.blum.com](http://www.blum.com)

☑ recommended plates: 203387, 211476, 12323, 12326, 12306, 12318, 12340, 12302, p. 01.37

## Cover cup with counterpart



code	Blum code	description
<b>12085</b>	84.4120	D shape, chrome
<b>12087</b>	84.4120	D shape, matt nickel
<b>12090</b>	84.4140	O shape, chrome
<b>12092</b>	84.4140	O shape, matt nickel

## Arm cover cap



code	Blum code	description
<b>12094</b>	70.1553	printable

# CLIP top CRISTALLO 110°

## Hinge arm



motion	code	Blum code
with BLUMOTION	<b>347963</b>	71B4500C
with spring	<b>347964</b>	71T4500C
without spring	<b>347965</b>	70T4500CTL

## Hinge cup



code	Blum code	cup mounting
<b>347966</b>	70T4568C	for gluing on glass
<b>347967</b>	70T4568C	for gluing on mirror

## Hinge plate



code	Blum code	description
<b>347968</b>	175M4C20N	for gluing on glass cabinet body



## Cover caps and opening angle stops

code	Blum code	description
<b>347983</b>	70.4503.BP	arm cover cap, with logo
<b>347984</b>	70.4503	arm cover cap
<b>347986</b>	70T4504	cup cover cap
<b>347981</b>	70T4503.09	opening angle stop, 92°
<b>347982</b>	70T4503	opening angle stop, 85°

photo accessories can be found on the web

Hinge for glass and mirror doors

- fixing the hinge cup to glass (mirror) by gluing without drilling into glass
- the different overlay can be achieved through relevant cup adhesion positions
- 110° opening angle
- the correct gluing procedure will be recommended by the glass or mirror supplier
- for more information, see the Blum catalogue, available after registration at [www.katalog-blum.cz](http://www.katalog-blum.cz), or in the brochure available for download at [www.blum.com](http://www.blum.com)

## Cabinets with overlapping fronts for bathrooms

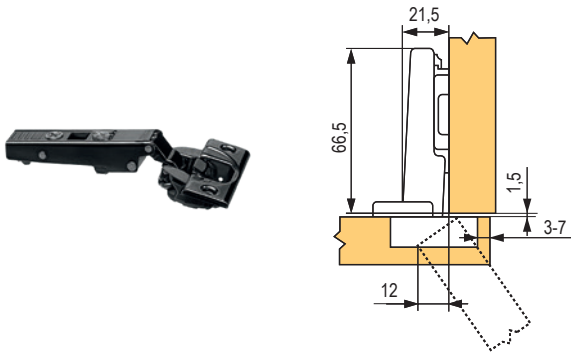


motion	code	Blum code	mounting
with BLUMOTION	<b>12049</b>	71B3750	screw
mounting plate	<b>347968</b>	175M4C20N	for gluing on the mirror

# CLIP top ONYX

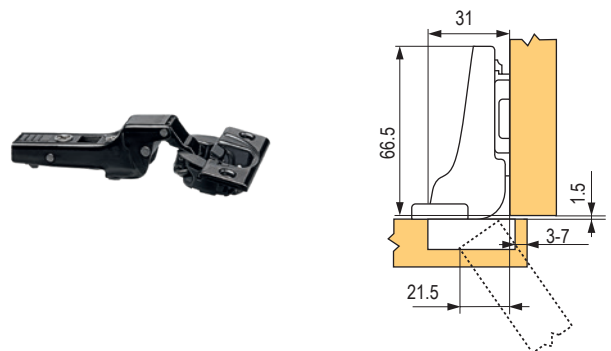


## Full overlay 110°



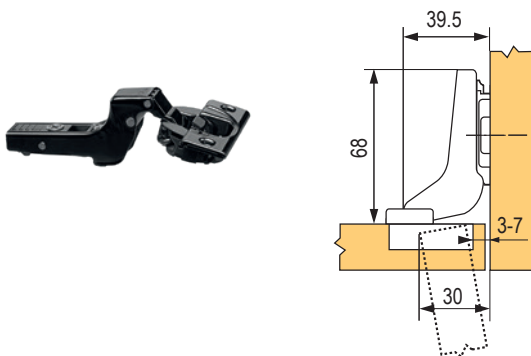
motion	code	Blum code	cup mounting
with BLUMOTION	<b>306317</b>	71B3550	screw
without spring	<b>497115</b>	70T3550	screw

## Half overlay 110°



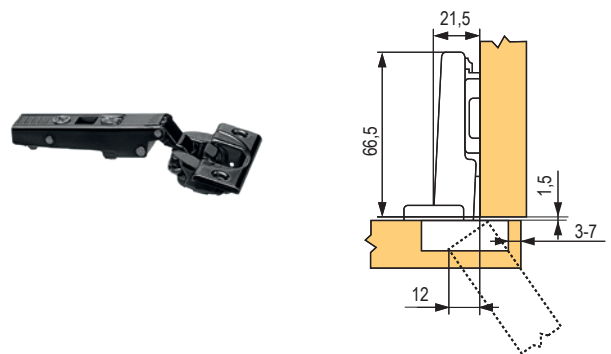
motion	code	Blum code	cup mounting
with BLUMOTION	<b>306318</b>	71B3650	screw

## Inset 110°



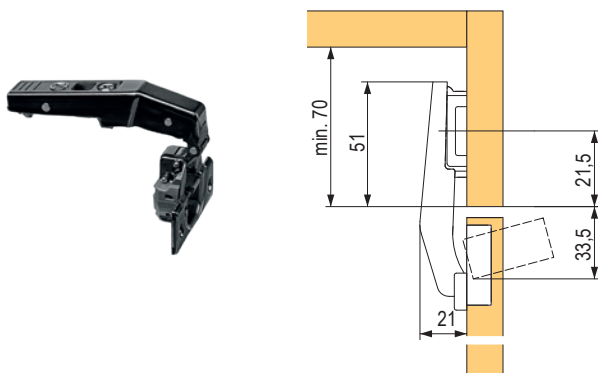
motion	code	Blum code	cup mounting
with BLUMOTION	<b>306319</b>	71B3750	screw

## Full overlay 107°



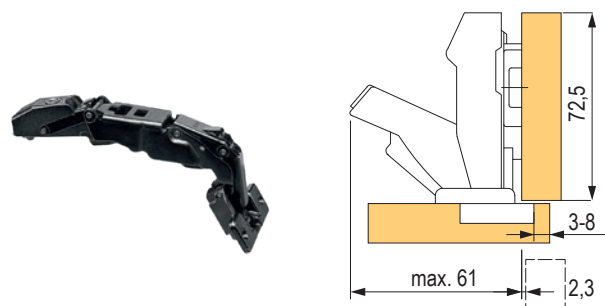
motion	code	Blum code	cup mounting
with BLUMOTION	<b>347096</b>	75B1550	screw

## Blind corner 95° – inset



motion	code	Blum code	cup mounting
with BLUMOTION	<b>306327</b>	79B9550	screw

## 155° with BLUMOTION – full overlay



motion	code	Blum code	cup mounting
with BLUMOTION	<b>347941</b>	71B7550	screw
	<b>347943</b>	71B7590	INSERTA
without spring	<b>347945</b>	70T7550.TL	screw
	<b>347946</b>	70T7590.TL	INSERTA

**Full overlay – aluminium frame**



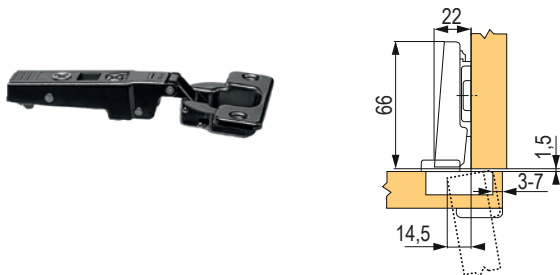
motion	code	Blum code	cup mounting
with spring	<b>306329</b>	71T950A	screw
without spring	<b>497120</b>	79T950A	screw

**CRISTALLO full overlay**



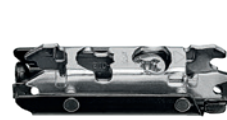
motion	code	Blum code	cup mounting
with BLUMOTION	<b>347969</b>	71B4500C	for gluing on glass

**Full overlay for thick doors**



motion	code	Blum code	cup mounting
without spring	<b>318173</b>	70T9550	screw

**Straight and cruciform plates**



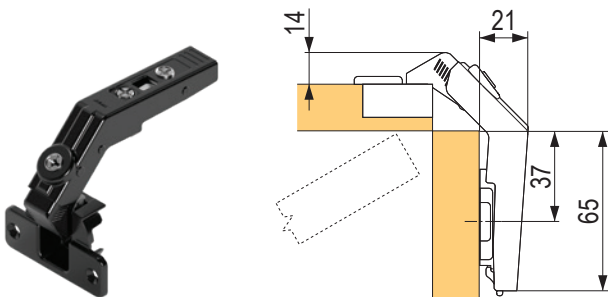
306320



347124

height	code	Blum code	cup mounting
8.5 mm	<b>306320</b>	175H3100	screw
8.5 mm	<b>347124</b>	174H7100E	EXPANDO
11.5 mm	<b>347125</b>	174H7130E	EXPANDO
11.5 mm	<b>497104</b>	177H130E	EXPANDO

**Folding doors**



description	code	Blum code	colour
with spring	<b>497123</b>	79T8500	screw

**Accessories**



code	Blum code	description	colour
<b>306321</b>	70.1503	arm cover cap, without logo	ONYX
<b>306322</b>	70T3504	cup cover cap with Blumotion	ONYX
<b>306326</b>	70.1553	arm cover cap, without logo	ONYX
<b>309046</b>	×	screw 3.5 × 16 mm PZ2	black zinc

### Full overlay without spring



code	Blum code	description	opening angle	cup mounting
<b>226668</b>	70T3550.TL		110°	screw
<b>226669</b>	70T358E.TL		110°	EXPANDO
<b>177369</b>	70T3590.TL		110°	INSERTA
<b>177364</b>	70M2550.TL		100°	screw
<b>12023</b>	70T5550.T		120°	screw
<b>12028</b>	70T558E.T		120°	EXPANDO
<b>177379</b>	70T6550.TL		170°	screw
<b>177383</b>	70T9550.TL	thick door	95°	screw
<b>347953</b>	70T7550.TL	zero protrusion	155°	screw
<b>347955</b>	70T7590.TL	zero protrusion	155°	INSERTA
<b>318173</b>	70T9550.TL	ONYX	95°	screw

### Half overlay, unsprung



code	Blum code	opening angle	cup mounting
<b>226670</b>	70T3650.TL	110°	screw
<b>177372</b>	70T3690.TL	110°	INSERTA
<b>224239</b>	70M2650.TL	100°	screw
<b>347938</b>	70T7650.TL	155°	screw

### Inset, unsprung



code	Blum code	description	opening angle	cup mounting
<b>226671</b>	70T3750.TL		110°	screw
<b>177374</b>	70T3790.TL		110°	INSERTA
<b>224240</b>	70M2750.TL		100°	screw
<b>166071</b>	78T9550.TL	blind corner <sup>1)</sup>	95°	screw

<sup>1)</sup> mounting plate raised by 3 mm – see p. 01.37

### ALUMINIUM frames – full overlay



code	Blum code	opening angle	cup mounting
<b>12109</b>	70T950A.TL	95°	screw
<b>13764</b>	72T550A.TL	120°	screw

### Thin material



code	Blum code	opening angle	cup mounting
<b>347990</b>	70T453T	110°	EXPANDO T

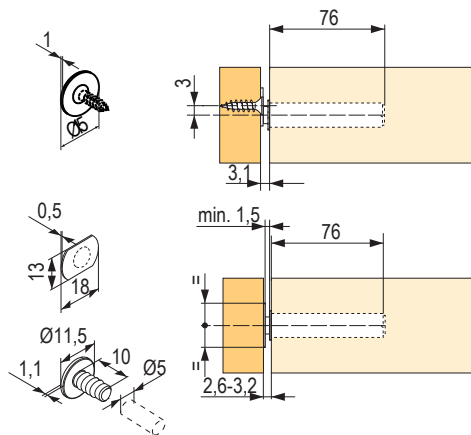
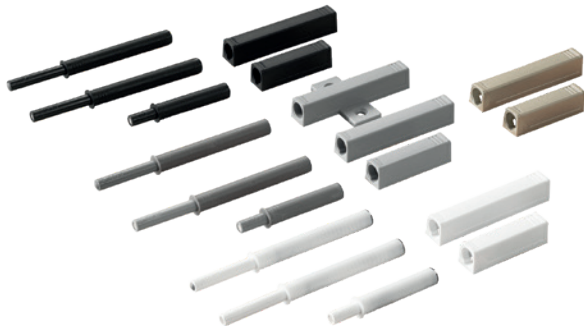
### Glass



code	Blum code	opening angle	cup mounting
<b>347965</b>	70T4500CTL	110°	gluing

 for mounting plates, see p. 01.37

### Pistons for hinges



code	Blum code	description	colour (material)
250826	956.1004	50 mm, magnet	white
250827	956.1004	50 mm, magnet	grey
497006	956.1004	50 mm, magnet	carbon black
250831	956A1004	76 mm, magnet	white
250833	956A1004	76 mm, magnet	grey
497007	956A1004	76 mm, magnet	carbon black
308497	956A1006	76 mm, buffer	white
250836	956A1006	76 mm, buffer	grey
497008	956A1006	76 mm, buffer	carbon black

### Adapters for pistons



code	Blum code	description	colour (material)
250838	956.1201	50 mm, inline	white
250839	956.1201	50 mm, inline	grey
497009	956.1201	50 mm, inline	carbon black
250841	956A1201	76 mm, inline	white
250842	956A1201	76 mm, inline	grey
497010	956A1201	76 mm, inline	carbon black
250844	956A1501	76 mm, cruciform	grey

### Accessories



341755



225140



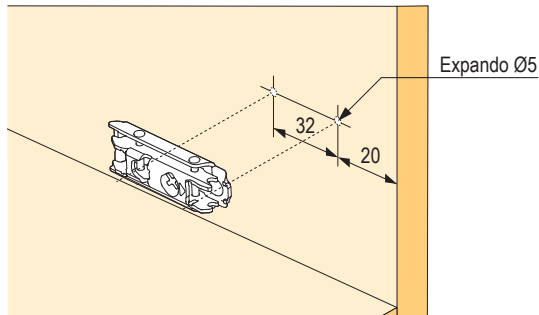
348000

code	Blum code	description	colour (material)
341755	955.1008D	TIP-ON plate for knock-in	nickel
225140	955.1008S	TIP-ON plate for screwing-on	nickel
348000	955.1008	TIP-ON plate for gluing-on	steel

- TIP-ON pins for handleless fronts open after a slight push
- they are used in combination with Blum spring-free hinges
- the pins are also designed for TIP-ON versions of AVENTOS
- colour-matched adapters for easy and fast assembly on the side of the cabinet body
- two pin lengths to which suitable adapters are designed
- it can be aligned with the rest of the fronts by rotating the ejector thanks to adjustment feature (+ 4 / - 1 mm), which is integrated into the pin

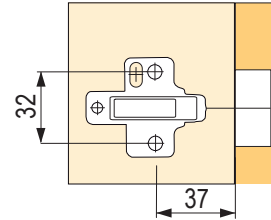
# CLIP top and CLIP mounting plates

## Basic mounting plates



description	code	Blum code	cup mounting
cruciform	<b>12306</b>	173L6100	screw
	<b>12318</b>	173L8100	euro screw
	<b>12302</b>	174E6100.01	EXPANDO
horizontal	<b>203387</b>	175H3100	screw
	<b>211476</b>	177H3100E	EXPANDO
cruciform with cam	<b>12340</b>	173H7100	screw
	<b>12312</b>	174H7100E	EXPANDO
	<b>12316</b>	174H7100I	INSERTA

## Plates raised by 3 mm



description	code	Blum code	cup mounting
cruciform	<b>12304</b>	173L6130	screw
	<b>12305</b>	173L8130	euro screw
	<b>12303</b>	174E6130.01	EXPANDO
cruciform with cam	<b>12341</b>	173H7130	screw
horizontal cam mounting plate	<b>288360</b>	177H3130E	EXPANDO

## Raised plates, cruciform with cam

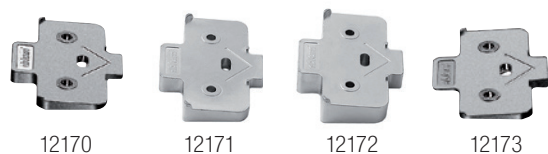


12312

description	code	Blum code	cup mounting
ø 6 mm	<b>12319</b>	175H9160	euro screw
ø 9 mm	<b>12332</b>	175H7190	screw
	<b>12335</b>	175H9190	euro screw
ø 18 mm	<b>12311</b>	175H7190.22	screw
	<b>12336</b>	175H9190.22	euro screw

## Spacers for changing the angle of the hinge overlay, dowel

code	Blum code	description
<b>12170</b>	171A5010	+ 5°, height: 0.8 mm
<b>12171</b>	171A5040	+ 5°, height: 3 mm
<b>12172</b>	171A5070	+ 5°, height: 6 mm
<b>12173</b>	171A5500	- 5°, height: 6 mm
<b>347999</b>	70T4532T	dowel, EXPANDO T



12170

12171

12172

12173



347999

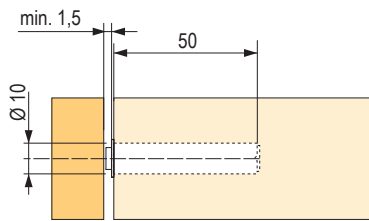
- EXPANDO T dowel is without a screw
  - 92598T - M4 × 8
  - 362259 - M4 × 12

# external BLUMOTION

## For drilling-in



12398



code	Blum code	description
<b>12398</b>	970A1002	hinge side
<b>12393</b>	970.1002	handle side

## Adapters



12394



12395



12396

code	Blum code
<b>12394</b>	970.1201
<b>12395</b>	970.1501
<b>12396</b>	970.2501

## Clip-on



12384

code	Blum code
<b>12384</b>	973A6000 <sup>1)</sup>

<sup>1)</sup>BLUMOTION for hinges 13041, 179411 and 12044

## Clip-on



12391



12385



12386

code	Blum code
<b>12391</b>	973A0500.01 <sup>1)</sup>
<b>12385</b>	973A0600 <sup>2)</sup>
<b>12386</b>	973A0700 <sup>3)</sup>

<sup>1)</sup>BLUMOTION for hinges 12002, 12050 and 12004

<sup>2)</sup>BLUMOTION for hinges 12005, 12051 and 12006

<sup>3)</sup>BLUMOTION for hinges 12008, 12007 and 12010

## With adapter between the hinges



12392

code	Blum code
<b>12392</b>	971A0500

## ECODRILL

New features:

- one-hand clamping
- convenient adjustment of material thickness
- convenient adjustment of hole drilling depth and cup spacing
- side stops for setting standard distances
- option of dust extraction during drilling
- integrated square template for continuous hinge assembly



code	Blum code	description
<b>527913</b>	M31.1000.01	for processing hinge holes

## Template for Blumotion and TIP-ON



code	Blum code	description
<b>12378</b>	65.5010	accurate drilling into the cabinet body edge

- template for drilling the mounting positions for BLUMOTION for doors handle side (970.1002) and hinge side (970A1002) as well as for TIP-ON (955 × 1004)
- assembly on a marking line
- material: plastic/steel

## Universal template



code	Blum code	description
<b>13844</b>	ZML.0040.02	precise marking of the front fittings position

- template for marking or pre-drilling the fixing positions of front fittings including railing, drawer back and base
  - as well as for AVENTOS front fittings

## Drilling template



code	Blum code	description
<b>65153</b>	65.1000.01	quick marking or drilling of holes for slides

- template for pre-drilling the fixing positions for cabinet profiles, lifter, mounting and adapter plates
- the template can be used with assembled and unassembled cabinet bodies
- height and depth adjustment using a scale
- suitable for full overlay or inset constructions

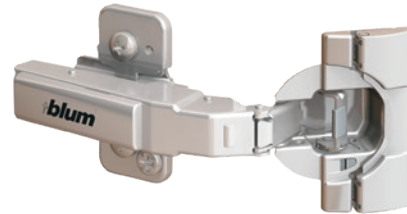
## Mounting jigs and aids

code	Blum code	description
<b>220482</b>	ZMM.0350	for TANDEMBOX mounting
<b>250998</b>	ZMM.0700.20	for LEGRABOX mounting
<b>481739</b>	ZMM.0400	for MERIVOBX mounting
<b>13870</b>	65.3300	marking of the slide position
<b>12389</b>	M01.ZZ03.01	precise marking of the hole for the screw
<b>65151</b>	65.1051	precise marking of the slide position
<b>13815</b>	65.5810.01	tool for determining the angle



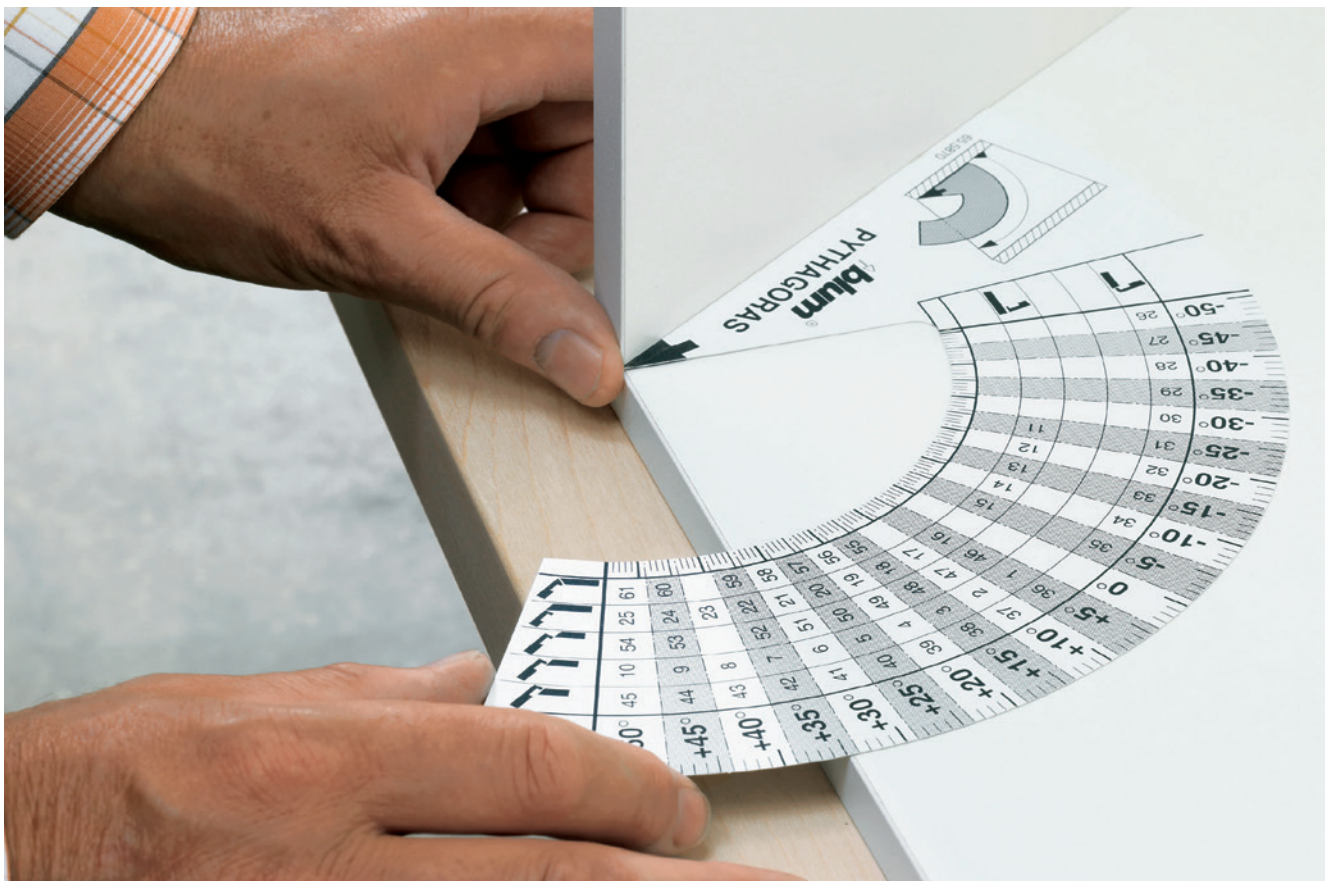
# CLIP top – angled

## Angled hinges



motion	code	Blum code	angled hinge / opening angle	cup mounting
with BLUMOTION	<b>118164</b>	79B9458	+45°/95°	screw
	<b>118163</b>	79B3558	+45°/110°	screw
	<b>118154</b>	79B9658	+45°/95°	screw
with spring	<b>12130</b>	79A9658.T	+45°/95°	screw
	<b>12121</b>	79T5550	+45°/110°	screw
	<b>12124</b>	79A9458.T	+45°/95°	screw
without spring	<b>177464</b>	78A9658.T	+45°/95°	screw
with BLUMOTION	<b>119482</b>	79B9456	+30°/95°	screw
	<b>119481</b>	79B9556	+30°/95°	screw
with spring	<b>12123</b>	79A9456.T	+30°/95°	screw
	<b>12127</b>	79A9556.T1	+20°/95°	screw
with BLUMOTION	<b>119483</b>	79B9555	+20°/110°	screw
with spring	<b>12126</b>	79A9555.T	+20°/95°	screw

motion	code	Blum code	angled hinge / opening angle	cup mounting
with BLUMOTION	<b>119484</b>	79B9454	+15°/95°	screw
with spring	<b>12122</b>	79A9454.T	+15°/95°	screw
with BLUMOTION	<b>119485</b>	79B3453	-15°/110°	screw
with spring	<b>12142</b>	79A5453.T	-15°/110°	screw
with BLUMOTION	<b>119486</b>	79B3451	-30°/110°	screw
with spring	<b>12141</b>	79A5451	-30°/110°	screw
with BLUMOTION	<b>119487</b>	79B3450	-45°/110°	screw
with spring	<b>12140</b>	79A5450.T	-45°/110°	screw



# table of angle options



## TABLE OF ANGLE OPTIONS

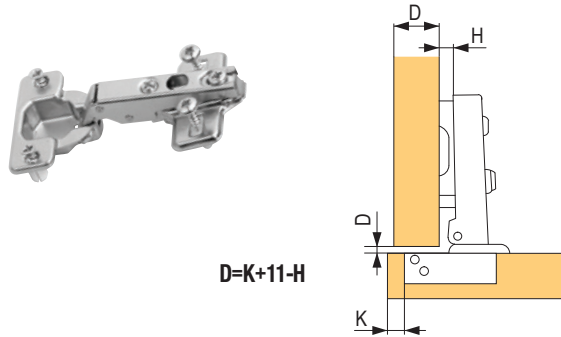
-50	-45	-40	-35	-30	-25	-20	-15	-10	-5												
CLIP TOP CRISTALLO	CLIP TOP MINI	CLIP TOP GLASS DOOR	<p><b>CLIP TOP BLUMOTION 970A1002 - FOR DRILLING OF CRISTALLO WHEN USING MINI HINGES AND FOR GLASS DOORS</b></p> <p>BLUMOTION 970A is carried out on the hinge side and ensures perfect movement even when angled mini hinges are applied. BLUMOTION 970A should be drilled first on the side of the top panel (ceiling) of the cabinet body.</p> <p>The correct position is set using the drilling distance (BA). If the effect of BLUMOTION is insufficient, we recommend mounting an additional BLUMOTION 970A on the base side.</p> <p><b>Drilling distance when using angled hinges with mini cup</b></p> <p>Angled hinge mounting N° XX/XX Drilling distance (BA) in mm</p>																		
<p><b>Angled hinges system</b></p> <p>A B B1 B2 C D</p>																					
N° 106/37 B1 347967 B2 347965 C 12340 D 12173	N° 107/37 B1 347967 B2 347965 C 12340 D 12173	N° 92/48 B 12075 C 12341 D 12173	N° 84 B 12075 C 12340 D 12173	N° 77/37 B 12076 C 12340 D 12173	N° 69/48 B 12081 C 12340 D 12173	N° 62/37 B 12080 C 12340 D 12173	N° 15 A 118001 B 12063 C 12340 D 12173	N° 14 A 119485 B 12142 C 12332 D 12172	N° 13 A 119485 B 12142 C 12311	N° 12 A 119485 B 12142 C 12319 D 12173	N° 11 A 119486 B 12141 C 12332 D 12172	N° 35 A 118030 B 12060 C 12340 D 12173	N° 34 A 119485 B 12142 C 12340 D 12170	N° 33 A 119485 B 12142 C 12340	N° 32 A 119485 B 12142 C 12340 D 12173	N° 31 A 119486 B 12141 C 12340 D 12171	N° 30 A 119486 B 12141 C 12341	N° 29 A 119486 B 12141 C 12340 D 12173	N° 28 A 119487 B 12140 C 12340 D 12171	N° 27 A 119487 B 12140 C 12341	N° 26 A 119487 B 12140 C 12340 D 12173

# table of angle options

	5	10	15	20	25	30	35	40	45	50
<b>N° 36</b> A 118030 B 12060 C 12340 D 12170	<b>N° 37</b> A 119484 B 12122 C 12340 D 12173	<b>N° 38</b> A 119484 B 12122 C 12319	<b>N° 39</b> A 119484 B 12122 C 12340 D 12172	<b>N° 40</b> A 119482 B 12123 C 12340 D 12173	<b>N° 41</b> A 119482 B 12123 C 12319	<b>N° 42</b> A 119482 B 12123 C 12340 D 12172	<b>N° 43</b> A 118164 B 12124 C 12340 D 12173	<b>N° 44</b> A 118164 B 12124 C 12319	<b>N° 45</b> A 118164 B 12124 C 12340 D 12172	<b>N° 46</b> A 118031 B 12063 C 12340 D 12172
<b>N° 1</b> A 118030 B 12060 C 12340 D 12170	<b>N° 2</b> A 119484 B 12122 C 12340 D 12173	<b>N° 3</b> A 119484 B 12122 C 12332	<b>N° 4</b> A 119483 B 12126 C 12340	<b>N° 5</b> A 119483 B 12126 C 12340 D 12170	<b>N° 6</b> A 119481 B 12127 C 12340	<b>N° 7</b> A 119481 B 12127 C 12340 D 12170	<b>N° 8</b> A 118164 B 12124 C 12319 D 12173	<b>N° 9</b> A 118163 B 12121 C 12340	<b>N° 10</b> A 118163 B 12121 C 12340 D 12170	<b>N° 47</b> A 119484 B 12122 C 12311 D 12173
<b>N° 16</b> A 118032 B 12066 C 12340 D 12170	<b>N° 17</b> A 119484 B 12122 C 12311 D 12173	<b>N° 18</b> A 119483 B 12126 C 12332 D 12173	<b>N° 19</b> A 119483 B 12126 C 12311	<b>N° 20</b> A 119481 B 12127 C 12332 D 12173	<b>N° 21</b> A 119481 B 12127 C 12311	<b>N° 22</b> A 119481 B 12127 C 12311 D 12170	<b>N° 23</b> A 118164 B 12124 C 12332 D 12173	<b>N° 24</b> A 118163 B 12121 C 12311	<b>N° 25</b> A 118164 B 12121 C 12332 D 12172	<b>N° 48</b> A 119483 B 12126 C 12340 D 12173
<b>N° 55</b> A 119483 B 12126 C 12340 D 12173	<b>N° 56</b> A 119483 B 12126 C 12319	<b>N° 57</b> A 119481 B 12127 C 12340 D 12173	<b>N° 58</b> A 119481 B 12127 C 12341	<b>N° 59</b> A 119481 B 12127 C 12340 D 12171	<b>N° 60</b> A 118164 B 12124 C 12332 D 12171	<b>N° 61</b> A 118164 B 12124 C 12340 D 12170	<b>N° 62</b> A 118164 B 12124 C 12332 D 12173	<b>N° 63</b> A 118164 B 12124 C 12311	<b>N° 64</b> A 118164 B 12124 C 12340 D 12170	<b>N° 49</b> A 119483 B 12126 C 12332
<b>N° 63/33</b> B 12080 C 12340 D 12170	<b>N° 70/48</b> B 12082 C 12340 D 12170	<b>N° 78/33</b> B 12076 C 12340 D 12170	<b>N° 85/48</b> B 12075 C 12340 D 12172	<b>N° 93/48</b> B 12074 C 12340 D 12171	<b>N° 100/33</b> B1 347967 B2 347965 C 12340 D 12170	<b>N° 101/33</b> B1 347967 B2 347965 C 12340 D (2X) 12170	<b>N° 102/33</b> B1 347967 B2 347965 C 12340 D (3X) 12170	<b>N° 103/33</b> B1 347967 B2 347965 C 12340 D 12170	<b>N° 104/33</b> B1 347967 B2 347965 C 12340 D (2X) 12170	<b>N° 105/33</b> B1 347967 B2 347965 C 12340 D (3X) 12170
<b>N° 5</b>	<b>N° 10</b>	<b>N° 15</b>	<b>N° 20</b>	<b>N° 25</b>	<b>N° 30</b>	<b>N° 35</b>	<b>N° 40</b>	<b>N° 45</b>	<b>N° 50</b>	

<sup>1)</sup> When dealing with narrow top rails or larger front gaps, we recommend using the cruciform adapter plate as needed 97D.XXX.

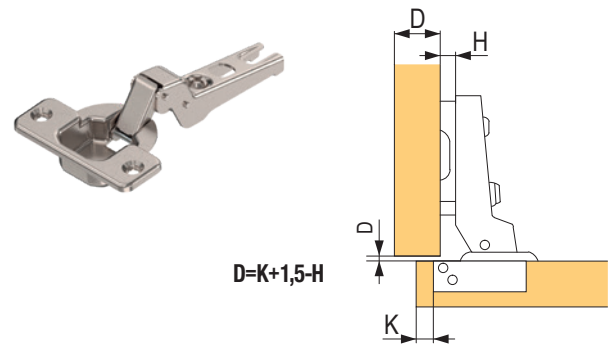
**Full overlay**



$D=K+11-H$

code	Blum code	description	opening angle	cup mounting
<b>12180</b>	91M2550	with spring	100°	screw
<b>12183</b>	91M258E.E0	with spring	100°	EXPANDO
<b>12181</b>	91M2580	with spring	100°	knock-in
<b>12230</b>	91A6550	with spring	170°	screw

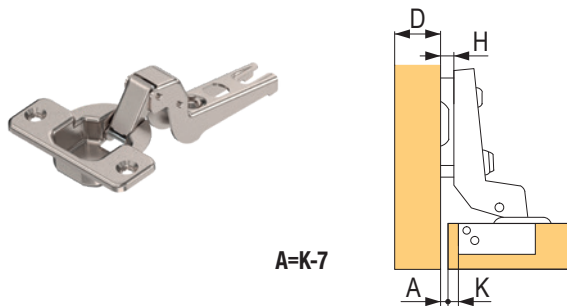
**Half overlay**



$D=K+1,5-H$

code	Blum code	description	opening angle	cup mounting
<b>12185</b>	91M2650	with spring	100°	screw
<b>12184</b>	91M268E	with spring	100°	EXPANDO

**Inset**



$A=K-7$

code	Blum code	description	opening angle	cup mounting
<b>12188</b>	91M2750	with spring	100°	screw
<b>12191</b>	91M278E.E0	with spring, plate	100°	EXPANDO

**Cover caps**



code	Blum code	description
<b>12271</b>	90M2503	arm cover cap

**Basic plate – cruciform**



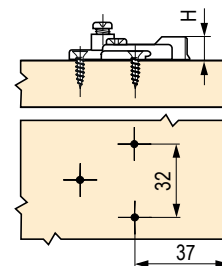
12364

12352

12362

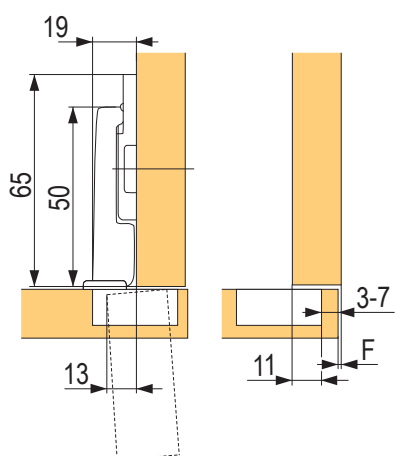
code	Blum code	cup mounting
<b>12364</b>	193L6100	screw
<b>12362</b>	193L8100	euro screw
<b>12352</b>	194E6100.ED	EXPANDO

**Plate raised by 9 mm**



code	Blum code	description	cup mounting
<b>12360</b>	195H7190	cruciform with cam	screw

## With shortened arm



code	Blum code	description	mounting of the hinge cup
<b>228146</b>	91K9550	with spring, incl. Expando plate	screw
<b>355903</b>	91K958E	with spring, incl. Expando plate	EXPANDO

front thickness

cup bore spacing	front thickness												
	16	18	19	20	22	24	26	28	29	30	31	32	
<b>3</b>	0.2	0.2	0.3	0.4	0.5	0.8	1.3	2.5	3.5	4.4	5.3	6.1	
<b>4</b>	0.2	0.2	0.3	0.4	0.5	0.8	1.3	1.9	2.9	3.8	4.7	5.5	
<b>5</b>	0.2	0.2	0.3	0.4	0.5	0.8	1.2	1.7	2.4	3.2	4.0	4.9	
<b>6</b>	0.2	0.2	0.3	0.4	0.5	0.8	1.2	1.7	2.2	2.8	3.5	4.3	
<b>7</b>	0.2	0.2	0.3	0.4	0.5	0.8	1.2	1.6	2.0	2.4	3.0	3.8	



**Explanation of terms:**

**Silent System** – soft closing (integrated, external)

**Push to Open** – handleless opening

**Push to Open Silent** – handleless opening with soft closing

**D** = distance or height of the plate

**B** = protrusion of the cup over the side of the cabinet body in the closed position



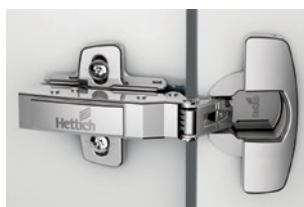
**Novisys hinges**

with SiSy soft closing (Silent System)  
without soft closing (with closing spring)  
unsprung PTO (Push to Open) **01.49**



**Sensys hinges for door thickness of 15–24 mm**

with SiSy soft closing (Silent System)  
without soft closing (with closing spring)  
unsprung PTO (Push to Open) **01.51**



**Sensys hinges for door thickness of 10 – 16 mm**

with SiSy soft closing (Silent System)  
without soft closing (with closing spring)  
unsprung PTO (Push to Open) **01.52**



**Sensys hinges for door thickness of 15 – 32 mm**

with SiSy soft closing (Silent System)  
without soft closing (with closing spring)  
unsprung PTO (Push to Open) **01.52**



**Sensys hinges with 165° opening angle and zero protrusion into the internal clearance**

with SiSy soft closing (Silent System)  
without soft closing (with closing spring)  
unsprung PTO (Push to Open) **01.53**



**Sensys hinges, angled hinges, with soft closing**

with SiSy soft closing (Silent System)  
without soft closing (with closing spring)  
unsprung PTO (Push to Open) **01.55**



**for thin aluminium  
frame,  
with soft closing**

with SiSy soft closing (Silent System)  
without soft closing (with closing spring)  
unsprung PTO (Push to Open)

**01.55**



**Sensys for doors with  
a thickness  
of 15–24 mm with  
boring  
45 x 9.5**

with SiSy soft closing (Silent System)  
without soft closing (with closing spring)  
unsprung PTO (Push to Open)

**01.56**



**Sensys  
for gluing  
on glass  
doors and cabinet  
body**

with SiSy soft closing (Silent System)  
without soft closing (with closing spring)  
unsprung PTO (Push to Open)

**01.58**










**mechanisms  
for handleless  
opening**


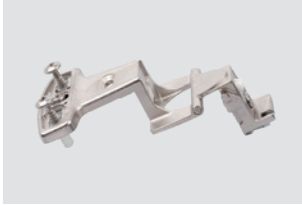


unsprung PTO (Push To Open) Easys for  
refrigerators  
K-Push pins

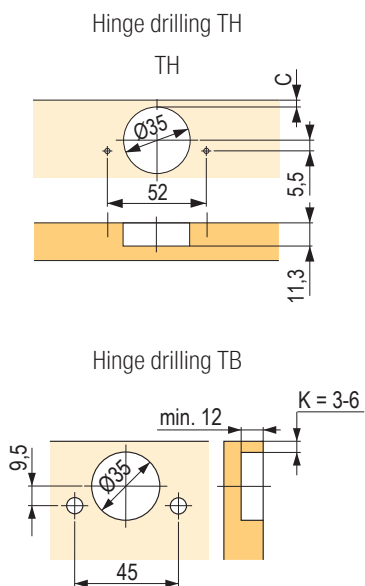
**01.57**

**01.62**

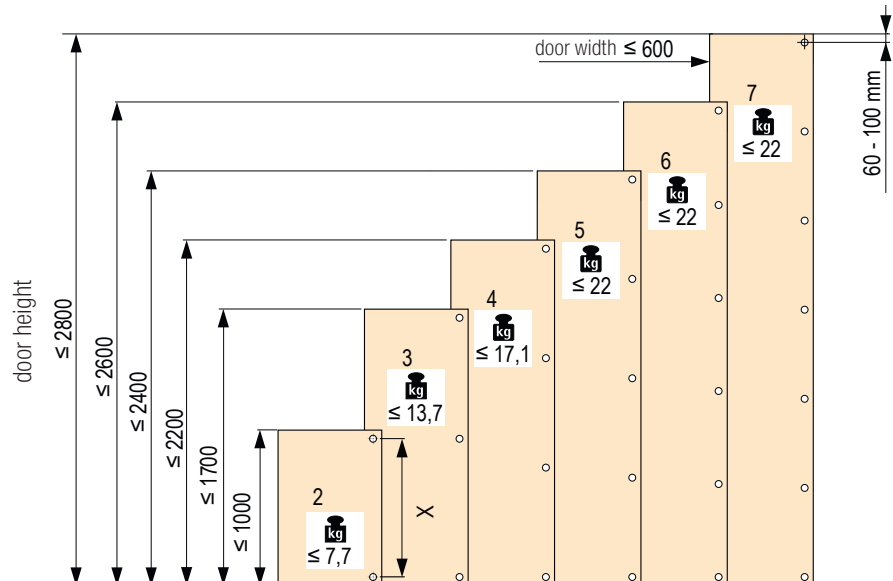
	<b>Intermat hinges for doors with a thickness of 15–25 mm</b>	without soft closing (with closing spring) unsprung PTO (Push to Open)	<b>01.63</b>
	<b>Intermat hinges for thick doors</b>	without soft closing (with closing spring) unsprung PTO (Push to Open)	<b>01.63</b>
	<b>Intermat hinges with 165° opening angle and zero protrusion into the internal clearance</b>	without soft closing (with closing spring) unsprung PTO (Push to Open)	<b>01.65</b>
	<b>Intermat angled hinges (positive)</b>	without soft closing (with closing spring) unsprung PTO (Push to Open)	<b>01.66</b>
	<b>Intermat angled hinges, (negative)</b>	without soft closing (with closing spring) unsprung PTO (Push to Open)	<b>01.67</b>
	<b>Intermat Mini hinges, hinges for furniture with frame construction</b>	with self-closing spring	<b>01.69</b>
	<b>hinges for drilled glass doors, hinges for furniture with frame construction</b>	with self-closing spring	<b>01.68</b>

# contents and drilling dimensions

	<b>external dampers</b>	01.70
	<b>Selekta</b>	01.71
	<b>for glass undrilled doors ET150</b>	01.72
	<b>for folding doors</b>	01.73



Recommended number of hinges depending on door height for all Hettich hinges.



## Novisys 105° TH52 (52×5.5) and TB45 (45×9.5)

## Full overlay 105° TH52



motion	code	Hettich code	cup mounting
Silent System / Push to Open Silent	<b>497622</b>	9313100	screw
	<b>497625</b>	9313101	knock-in
without soft closing	<b>497628</b>	9313130	screw
	<b>497631</b>	9313131	knock-in
Push to Open	<b>497634</b>	9313160	screw
	<b>497637</b>	9313161	knock-in

## Full overlay 105° TB45



motion	code	Hettich code	cup mounting
Silent System / Push to Open Silent	<b>497640</b>	9313190	screw
	<b>497643</b>	9313191	knock-in
without soft closing	<b>497646</b>	9313220	screw
	<b>497649</b>	9313221	knock-in
Push to Open	<b>497652</b>	9313250	screw
	<b>497655</b>	9313251	knock-in

## Half overlay 105° TH52



motion	code	Hettich code	cup mounting
Silent System / Push to Open Silent	<b>497623</b>	9313110	screw
without soft closing	<b>497629</b>	9313140	screw
Push to Open	<b>497635</b>	9313170	screw

## Half overlay 105° TB45



motion	code	Hettich code	cup mounting
Silent System / Push to Open Silent	<b>497641</b>	9313200	screw
without soft closing	<b>497647</b>	9313230	screw
Push to Open	<b>497653</b>	9313260	screw

## Inset 105° TH52



motion	code	Hettich code	cup mounting
Silent System / Push to Open Silent	<b>497624</b>	9313120	screw
without soft closing	<b>497630</b>	9313150	screw
Push to Open	<b>497636</b>	9313180	screw

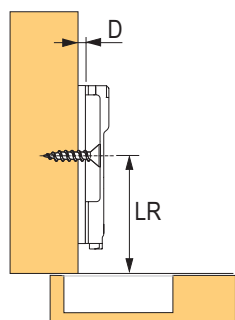
## Inset 105° TB45



motion	code	Hettich code	cup mounting
Silent System / Push to Open Silent	<b>497642</b>	9313210	screw
without soft closing	<b>497648</b>	9313240	screw
Push to Open	<b>497654</b>	9313270	screw

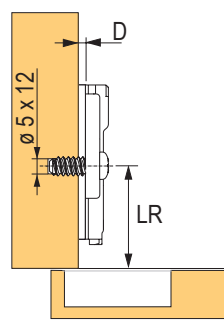
# mounting plates for Novisys hinges

## Cruciform, assembly with screws



code	Hettich code	distance D (mm)
<b>497658</b>	9313860	0
<b>497659</b>	9313873	1,5
<b>497660</b>	9313885	3
<b>497661</b>	9313897	5

## Cruciform, assembly with euro screws



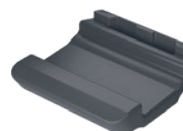
code	Hettich code	distance D (mm)
<b>497662</b>	9313861	0
<b>497663</b>	9313874	1,5
<b>497664</b>	9313886	3
<b>497665</b>	9313898	5

## Full overlay 105° TS48



motion	code	Hettich code	cup mounting
Silent System / Push to Open Silent	<b>515084</b>	9313280	screw

## Novisys restrictor



code	Hettich code	distance D (mm)
<b>497667</b>	9313093	to 85°

## Full overlay



motion	code	Hettich code	colour	cup mounting
Silent System/ Push to Open Silent	<b>104717</b>	9071205	nickel	screw
	<b>344691</b>	9091738	obsidian	screw
without soft closing	<b>232346</b>	9071259	nickel	screw
Push to Open	<b>245723</b>	9071313	nickel	screw
	<b>344694</b>	9091741	obsidian	knock-in

- recommended accessories: 105422 – arm cover cap without logo (metal), 105425 – arm cover cap with logo (metal), 105408 – cup cover cap (metal), 207142 – opening angle stop (110 ≥ 85°) (for photo see p. 01.73)

for recommended plates: see p. 01.72

## Half overlay

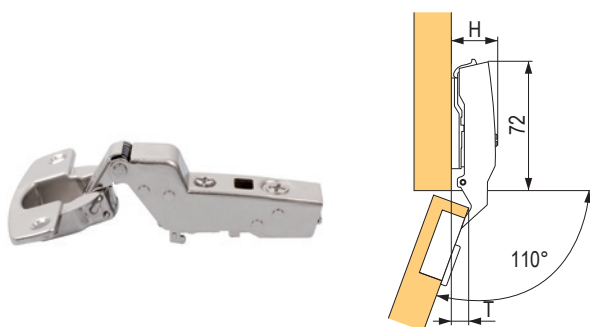


motion	code	Hettich code	cup mounting
Silent System/ Push to Open Silent	<b>104718</b>	9071206	screw
without soft closing	<b>232347</b>	9071260	screw

- recommended accessories: 105408 – cup cover cap (metal), 207142 – opening angle stop (110 ≥ 85°) (for photo see p. 01.73)

for recommended plates: see p. 01.72

## Inset



motion	code	Hettich code	cup mounting
Silent System/ Push to Open Silent	<b>104719</b>	9071207	screw
without soft closing	<b>232348</b>	9071261	screw

- recommended accessories: 105408 – cup cover cap (metal), 207142 – opening angle stop (110 ≥ 85°) (for photo see p. 01.73)

for recommended plates: see p. 01.72

# Sensys 110°, TH52 (52×5.5)

## Full overlay for thin doors (10– 16 mm)



motion	code	Hettich code	cup mounting
Silent System/ Push to Open Silent	<b>308058</b>	9094270	screw
Push to Open	<b>336503</b>	9094450	screw

- recommended accessories: 105422 – arm cover cap without logo (metal), 105425 – arm cover cap with logo (metal), 300517 – arm cover cap without logo (plastic), 300518 – arm cover cap with logo (plastic), 105408 – cup cover cap (metal), 362244 – opening angle stop (110≥85°) (for photo see p. 01.79)

for recommended plates: see p. 01.72

## Half overlay for thin doors (10– 16 mm)

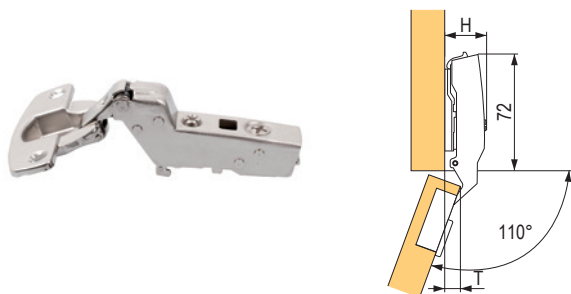


motion	code	Hettich code	cup mounting
Silent System/ Push to Open Silent	<b>308454</b>	9094280	screw
Push to Open	<b>336506</b>	9094460	screw

- recommended accessories: 105408 – cup cover cap (metal), 362244 – opening angle stop (110≥85°) (for photo see p. 01.132)

for recommended plates: see p. 01.72

## Inset for thin doors (10– 16 mm)



motion	code	Hettich code	cup mounting
Silent System/ Push to Open Silent	<b>308455</b>	9094290	screw
Push to Open	<b>346823</b>	9094470	screw

- recommended accessories: 105408 – cup cover cap (metal), 362244 – opening angle stop (110 ≥ 85°) (for photo see p. 01.73)

for recommended plates: see p. 01.72

## Full overlay for thick door (15– 32 mm)

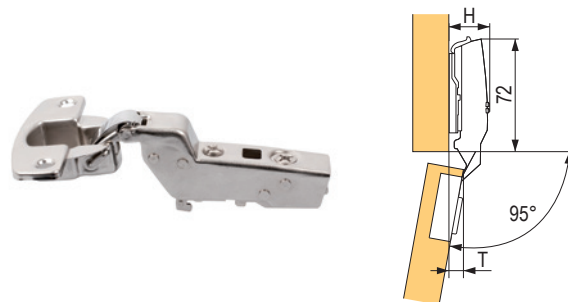


motion	code	Hettich code	cup mounting
Silent System/ Push to Open Silent	<b>264196</b>	9090260	screw

- recommended accessories: 105422 – arm cover cap without logo (metal), 105425 – arm cover cap with logo (metal), 300517 – arm cover cap without logo (plastic), 300518 – arm cover cap with logo (plastic), 105408 – cup cover cap (metal), 300521 – opening angle stop (95 ≥ 85°) (for photo see p. 01.79)

for recommended plates: see p. 01.72

## Inset for thick door (15– 32 mm)



## Half overlay for thick door (15– 32 mm)



motion	code	Hettich code	cup mounting
Silent System	<b>264200</b>	9090270	screw

- recommended accessories: 105408 – cup cover cap (metal), 300521 – opening angle stop (95 ≥ 85°) (for photo see p. 01.73)

for recommended plates: see p. 01.72

motion	code	Hettich code	cup mounting
Silent System/ Push to Open Silent	<b>264204</b>	9090280	screw

- recommended accessories: 105408 – cup cover cap (metal), 300521 – opening angle stop (95 ≥ 85°) (for photo see p. 01.73)

for recommended plates: see p. 01.72

# Sensys 165°, TH52 (52×5.5)

## Full overlay



motion	code	Hettich code	colour	cup mounting
Silent System/ Push to Open Silent	<b>264246</b>	9099540	nickel	screw
	<b>344718</b>	9091767	obsidian	screw
without soft closing	<b>264266</b>	9099600		screw
Push to Open	<b>264278</b>	9099660	nickel	screw
	<b>344720</b>	9091769	obsidian	knock-in

for recommended plates: see p. 01.72

## Half overlay



motion	code	Hettich code	cup mounting
Silent System/ Push to Open Silent	<b>264251</b>	9099550	screw
	<b>264252</b>	9099551	knock-in
	<b>300478</b>	9099556	with expanding sockets
without soft closing	<b>264269</b>	9099610	screw
Push to Open	<b>264281</b>	9099670	screw

for recommended plates: see p. 01.72

## Opening angle stop



264245



300465

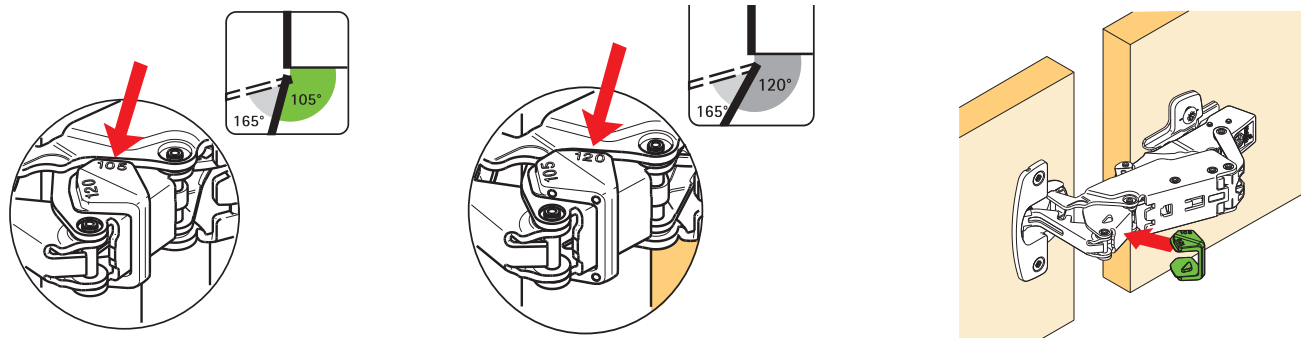
motion	code	Hettich code	angle
opening angle stop	<b>264245</b>	9090756	105/120°
	<b>300465</b>	9090864	90/135°

## Hinge for folding doors



motion	code	Hettich code	cup mounting
with diagonal adjustment depending to the door thickness	<b>208857</b>	9090045	screw

# Sensys 165°, TH52 (52x5.5)


**Drawing - option A**
**Option A - holes for cups in one door**

- enables optimisation of the gap between the leaves to a minimum
- cup distance C is identical on both sides of the door
- both leaves may be equally wide
- space between the holes for the plate on the loose leaf is 37 mm
- for door thickness 16-21 mm

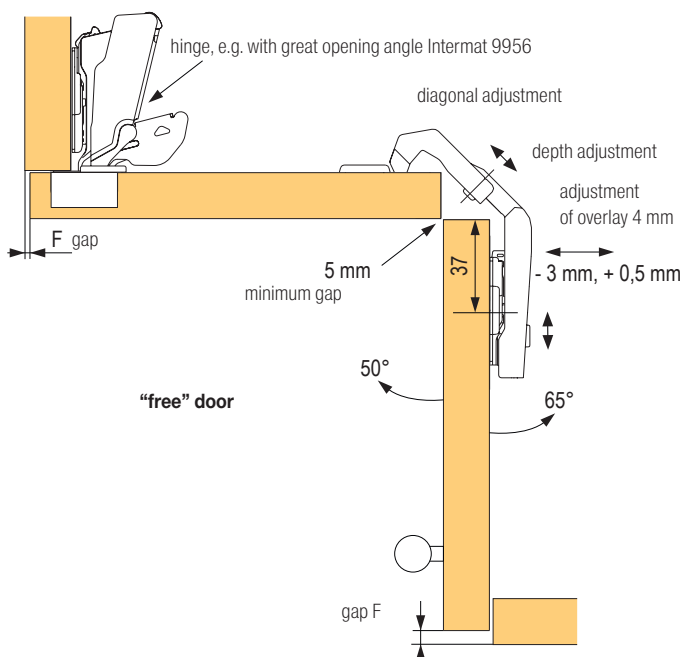
**Calculation of door width:**

- hole clearance for the door including the cabinet body side - gap F - door thickness

**Recommended height of the mounting plate <sup>1)</sup>**

- C = 4.5 mm: height of the plate D = 0
- C = 3.0 mm: height of the plate D = 1.5

<sup>1)</sup> different drilling C can be compensated by in-depth and diagonal adjustment


**Option B - holes for cups in both doors**

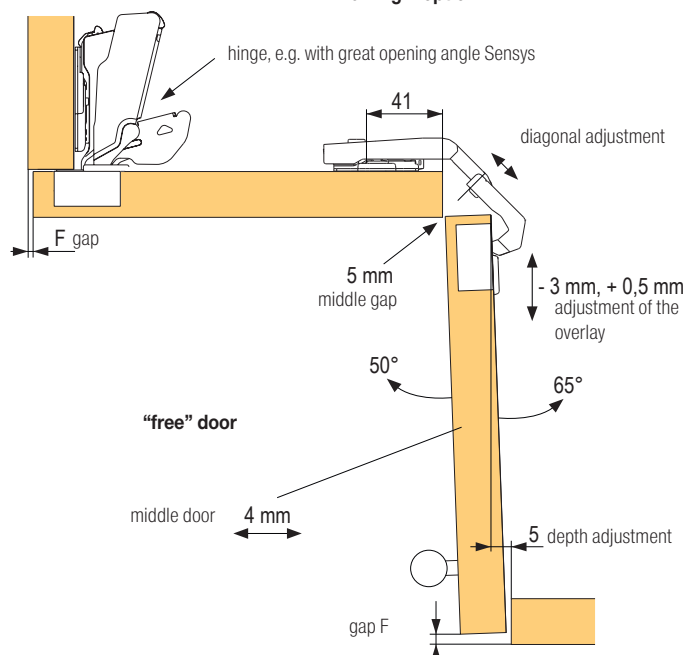
- gap between leaves 5 mm
- cup distance C identical for both doors
- both leaves may be equally wide
- space between the holes for the plate on the leaf is 41 mm
- for door thickness 16-21 mm

**Calculation of door width:**

- hole clearance for the door including the cabinet body side - gap F - door thickness - 5

**Recommended height of the mounting plate <sup>1)</sup>**

- C = 4.5 mm: height of the plate D = 0
- C = 3.0 mm: height of the plate D = 1.5

**Drawing - option B**


## 45°, half overlay



motion	code	Hettich code	series	cup mounting	B (mm)
Silent System/ Push to Open Silent	<b>104801</b>	9088019	8639i	screw	-2

- recommended accessories: 105408 – cup cover cap (metal), 300296 – opening angle stop (95 ≥ 85°) (for photo see p. 01.73)

for recommended plates: see p. 01.72

## 90°, inset

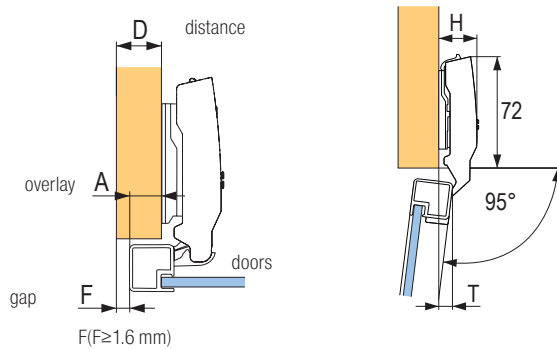


motion	code	Hettich code	series	cup mounting	B (mm)
Silent System/ Push to Open Silent	<b>104802</b>	9088021	8639i	screw	4

- recommended accessories: 105408 – cup cover cap (metal), 300296 – opening angle stop (95 ≥ 85°) (for photo see p. 01.73)

for recommended plates: see p. 01.72

## 110°, full overlay



Select a suitable mounting plate (Distance D) according to the required overlay:  $D = 4.5 \text{ mm} + B - A$  (8638i, 8638 and 8668)

code	Hettich code	description
<b>300279</b>	9072524	full overlay with integrated soft closing Silent System
<b>300285</b>	9072530	full overlay for handleless Push to Open opening

for mounting plates, see p. 01.72

# Sensys 95°, 110°, 165° TB45 (45×9.5)

## Full overlay



motion	code	Hettich code	series	cup mounting
Silent System	<b>208727</b>	9071223	8645i	screw
	<b>378084</b>	9073626	8645i	quick assembly
without soft closing	<b>421300</b>	9073647	8645	screw
Push to Open	<b>421301</b>	9073671	8675	screw
Silent System	<b>421318</b>	9094300	8646i	screw

## Half overlay



motion	code	Hettich code	series	cup mounting
Silent System	<b>421302</b>	9073618	8645i	screw
without soft closing	<b>421303</b>	9073648	8645	screw
Push to Open	<b>421304</b>	9073672	8675	screw

## Inset



motion	code	Hettich code	series	cup mounting
Silent System	<b>421307</b>	9073619	8645i	screw
without soft closing	<b>421308</b>	9073649	8645	screw
Push to Open	<b>421309</b>	9073673	8675	screw

## Full overlay 165°



motion	code	Hettich code	series	cup mounting
Silent System	<b>264256</b>	9099560	8657i	screw

## Cranked 50/60° (Intermat)



motion	code	Hettich code	series	cup mounting
without spring	<b>300797</b>	9090115	9930	screw

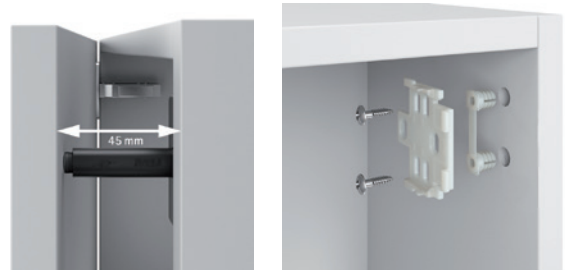
## Inset 95°, blind corner



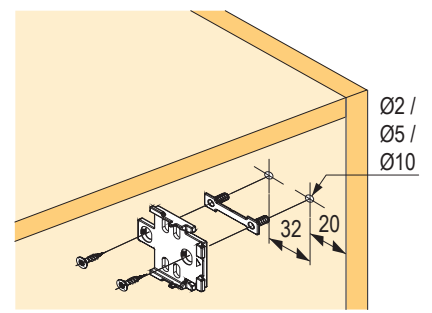
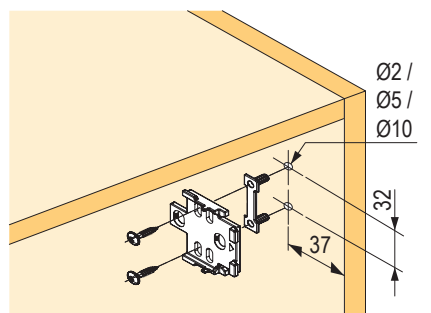
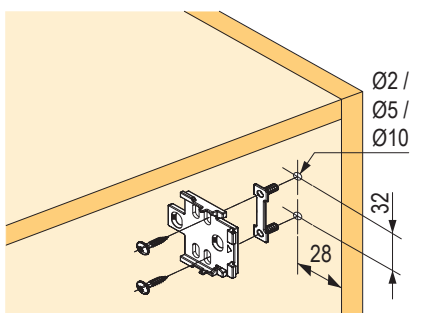
motion	code	Hettich code	series	cup mounting
Silent System	<b>300337</b>	9088027	8639i	screw

## Handleless opening mechanism for hinges with soft closing

- for combination with damped automatic hinges for screwing-on
- wide adjustment range + 4 / - 2 mm
- including 4 pcs of AA batteries (service life approx. 12 months)
- a mounting plate and screws are also included
- material: plastic



code	Hettich code	colour
<b>362356</b>	9239088	white
<b>362355</b>	9239087	dark grey
<b>362357</b>	9239099	light grey



# Hettich Sensys 110° and 165°, for gluing on glass doors / cabinet body

- with integrated soft closing, self-closing spring for clip on mounting
- adapter for gluing mounting (necessary for connecting the hinge and the glass)
- for use with UV hardening adhesive (not included)
- quality classification under EN 15570, Level 3
- for glass thickness 4–8 mm
- integrated adjustment of overlay + 2 mm, – 2 mm
- integrated in-depth adjustment + 3 mm, – 2 mm
- integrated height adjustment + 3 mm, – 3 mm

## Full overlay 110°



code	Hettich code	series	package size (pcs)
<b>379953</b>	9135141	8645i	2

- for use with adapter for gluing (must be ordered separately) including fixing screw
- mounting plate for gluing

## Inset 8657i 165°



code	Hettich code	series	package size (pcs)
<b>379612</b>	9135140	8657i	2

- for use with adapter for gluing (must be ordered separately) including fixing screw
- mounting plate for gluing
- in some cases it is necessary to use an opening angle stop to 135° – 300465 (see drawings on the next page)

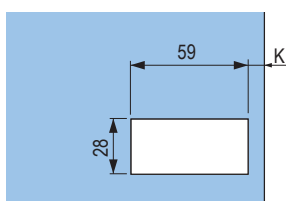
## Adapter for cup



code	Hettich code	package size (pcs)
<b>379615</b>	9116092	2

- for use with Sensys 8645i / 8657i for glass application
- bonding surface 28 × 59 mm
- zinc casting, nickel-plated

### Glue mounting picture Adapter for glue mounting to the cup



K = distance from the edge  
– see examples of use

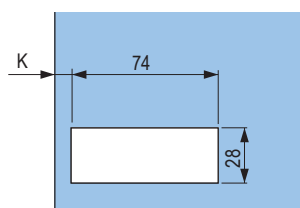
## Mounting plate



code	Hettich code	package size (pcs)
<b>379950</b>	9133536	2

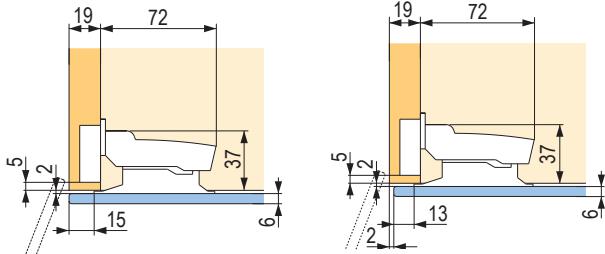
- bonding surface 28 × 74 mm
- zinc casting, nickel-plated

### Glue mounting picture Mounting plate for glue mounting



### Full overlay 110°, glass door

Application with door in glass and wooden cabinet body side, full overlay door, mounting plate is fitted on the door

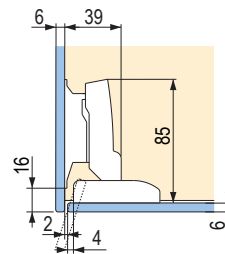


Full overlay door (no gap)

Full overlay door with 2 mm gap

### Inset 110°, all-glass cabinet body

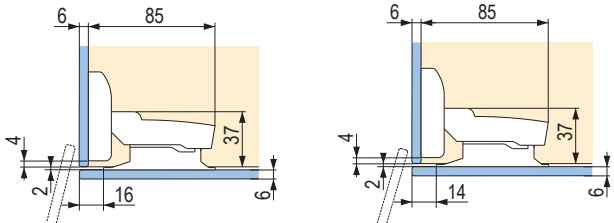
Application with door and cabinet body side in glass, inset door



Inset door with 2 mm gap

### Full overlay 110°, all-glass cabinet body

Application with door and cabinet body side in glass, full overlay door, mounting plate is fitted on the door

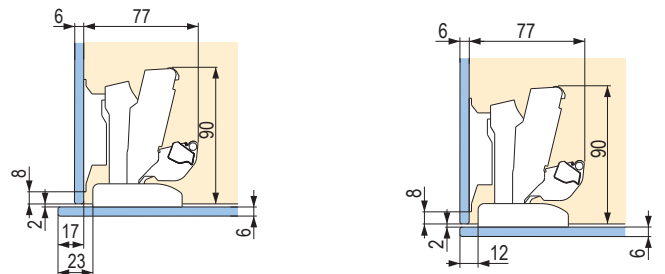


Full overlay door (no gap)

Full overlay door with 2 mm gap

### Full overlay 135°, all-glass cabinet body

Application with door and cabinet body side in glass, full overlay door

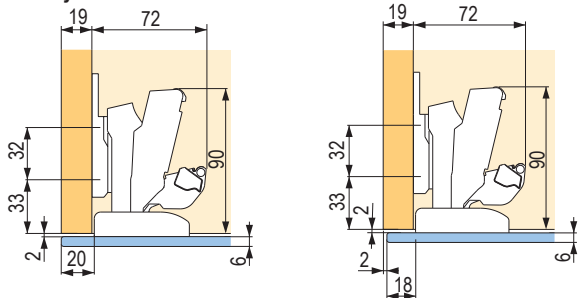


Full overlay door with door protrusion 11 mm

Full overlay door (no gap)

### Full overlay 135°, glass door

Application with door in glass and wooden cabinet body side, full overlay door

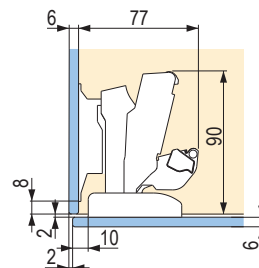


Full overlay door (no gap)

Full overlay door with 2 mm gap

### Inset 135°, all-glass cabinet body

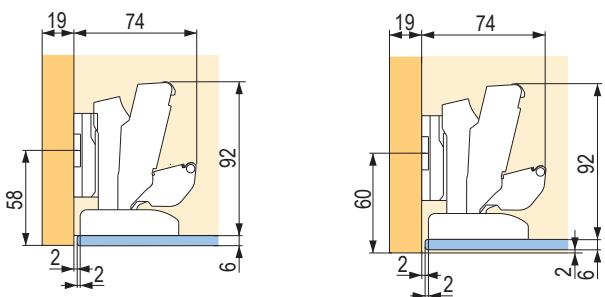
Application with door and cabinet body side in glass, full overlay door



Full overlay door with 2 mm gap

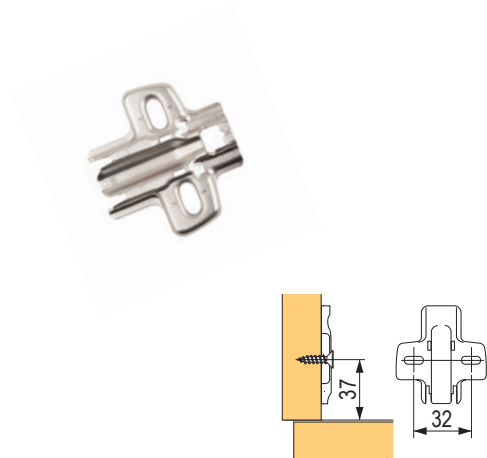
### Inset 165°, glass door

Application with door in glass and wooden cabinet body side, inset door

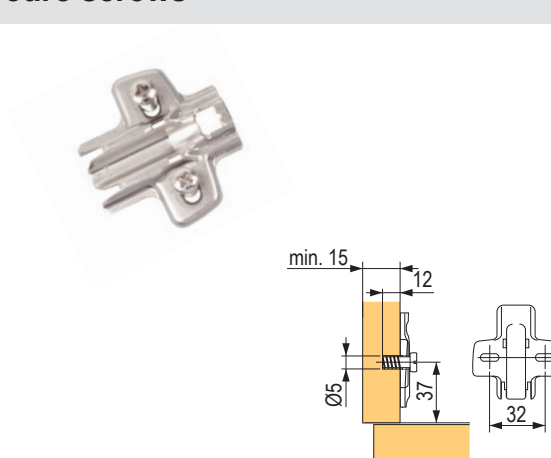


Inset door

Inset door with 2 mm offset

**Cruciform, assembly with screws**


code	Hettich code	distance D (mm)
<b>128312</b>	9071575	0
<b>106403</b>	9071576	1,5
<b>118057</b>	9071577	3
<b>106405</b>	9071578	5

**Cruciform, mounting by pre-mounted euro screws**


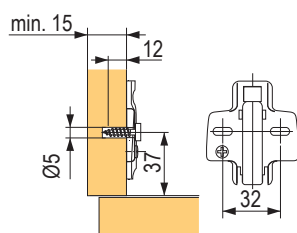
code	Hettich code	distance D (mm)	obsidian code	Hettich code
<b>119302</b>	9071625	0	<b>500607</b>	9091799
<b>119240</b>	9071626	1,5	x	x
<b>154410</b>	9071627	3	x	x
<b>186174</b>	9071628	5	x	x

**Cruciform with a cam for adjustment, mounting with screws with special split dowels**


106412



344727

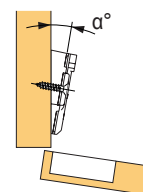


nickel code	Hettich code	distance D (mm)	obsidian code	Hettich code
<b>106406</b>	9071655	0	<b>344726</b>	9091811
<b>106412</b>	9071656	1,5	<b>344727</b>	9091812
<b>106413</b>	9071657	3	<b>344728</b>	9091813
<b>106414</b>	9071658	5	<b>344729</b>	9091814

black mounting screws 309046

**Adapter for fine adjustment of specific overlay angles, mounting under the plate**

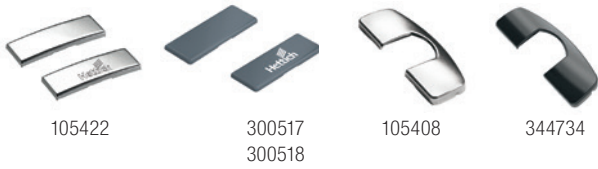

208746



nickel code	Hettich code	inclination of the adapter
<b>208746</b>	9072533	5
<b>208747</b>	9072534	10

- the adapters can be stacked

Sensys – cover caps



code	Hettich code	description	material
<b>105425</b>	9088250	arm, full overlay, with logo	nickel
<b>344733</b>	9091821	arm, full overlay, with logo	obsidian
<b>300518</b>	9099871	arm, full overlay, with logo	PVC
<b>105408</b>	9088251	bowl	nickel
<b>344734</b>	9091822	bowl	obsidian

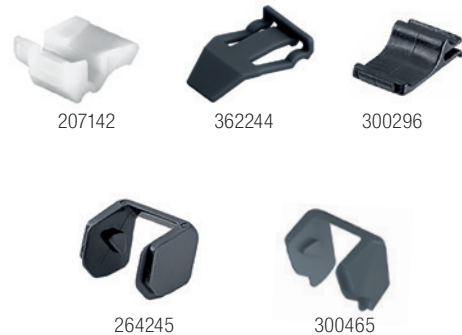
Sensys – opening damper for 165° hinge



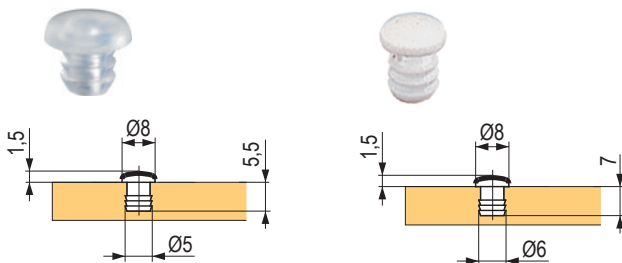
code	Hettich code	description	material
<b>288354</b>	9100037	also serves as a cover cap	PVC

Integrated opening angle stop

code	Hettich code	description	opening angle	material
<b>207142</b>	9072540	standard, Silent	110° ≥ 85°	PVC
<b>362244</b>	9076440	thin door, Silent	110° ≥ 85°	PVC
<b>300296</b>	9072541	angled, Silent	95° ≥ 85°	PVC
<b>300521</b>	9103006	thick door, Silent	95° ≥ 85°	steel
<b>264245</b>	9090756	165°, Silent	165° ≥ 120°/105°	PVC
<b>300465</b>	9090864	165°, Silent	165° ≥ 90°/135°	PVC

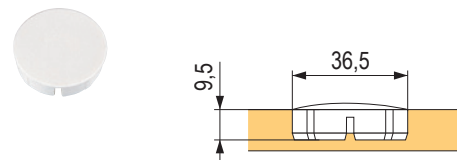


Sensys/Intermat – stop damper



code	Hettich code	colour
<b>107792</b>	9079298	transparent
<b>107842</b>	25048	white
<b>119104</b>	47353	beige
<b>119029</b>	21154	brown

Sensys/Intermat – hole cover caps Ø 35 mm



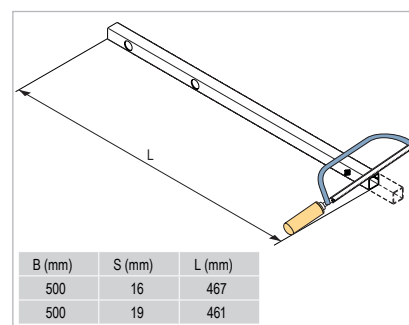
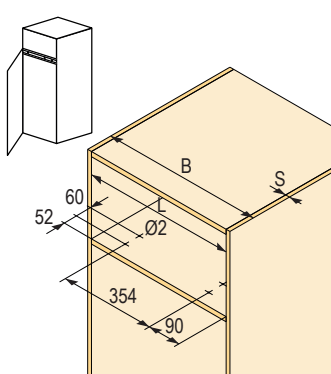
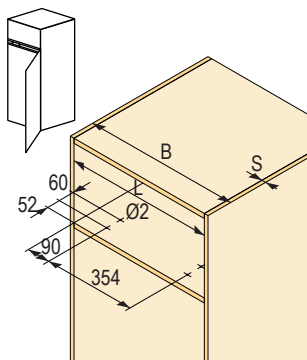
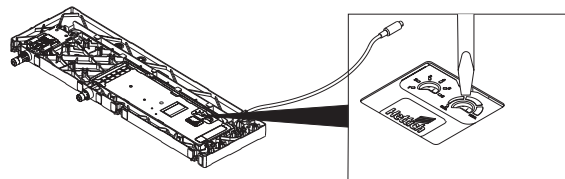
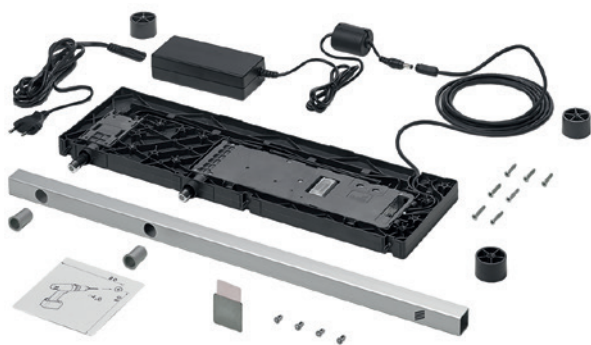
code	Hettich code	colour
<b>105337</b>	25204	white
<b>105341</b>	25205	brown

# handleless opening of built-in refrigerators

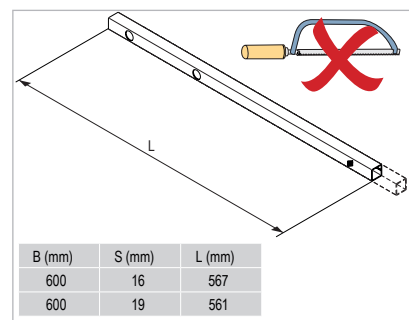
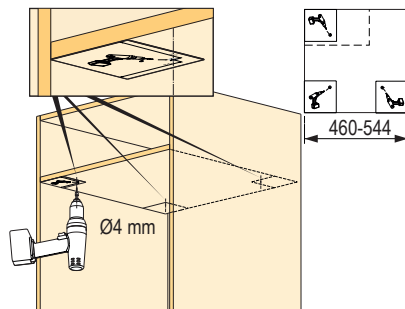
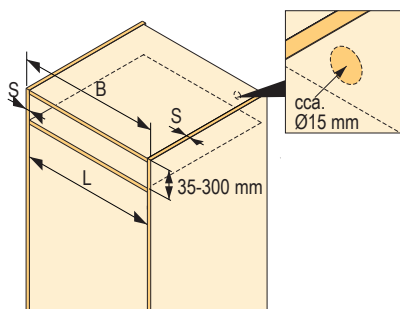
## Easys mechanism

code	Hettich code	description
<b>311978</b>	9210848	set including a transformer and a power supply cable

- Easys is an electromechanical system for opening refrigerator door that is built into the cabinet body. It can also be used for dishwashers.
- the functional unit contains a sensor that responds to motion caused by pressure on the door
- **mounting height only 22 mm**
- the door opens for 4–8 seconds, so you can open it with your hand completely
  - Easys is supplied as one complete universal set, i.e. a single ordering number for cabinet body width 50 to 60 cm, for left and right doors, regardless of side thickness
  - the unit is usually mounted above the refrigerator, but can also be placed under the refrigerator
  - the unit is screwed onto the shelf and can be covered with another shelf
  - the user only sees the front cover strip, sensor, and pin



! the required height is only 22 mm!



## Full overlay 110°



motion	code	Hettich code	cup mounting
without soft closing	<b>104189</b>	48049	screw
Push to Open	<b>288349</b>	9043361	screw

- recommended accessories: 105363 – arm cover cap without logo (metal), 208689 – arm cover cap with logo (metal), 104343 – external Silent System for clipping onto the cup, 104346 – external damper with adapter for screwing into the cabinet body (full overlay and half overlay doors), 104338 – external Silent System for clipping onto the arm, 185695 – opening angle stop (110 ≥ 85°)

☑ recommended plates: see p. 01.72

## Half overlay 110°



motion	code	Hettich code	cup mounting
without soft closing	<b>104190</b>	48051	screw
Push to Open	<b>288350</b>	9043362	screw

- recommended accessories: 104343 – external Silent System for clipping onto the cup, 104346 – external damper with adapter for screwing into the cabinet body (full overlay and half overlay doors), 185695 – opening angle stop (110 ≥ 85°)

☑ recommended plates: see p. 01.72

## Inset 110°

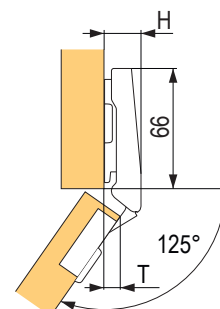


motion	code	Hettich code	cup mounting
without soft closing	<b>169764</b>	48052	screw
Push to Open	<b>288351</b>	9043363	screw

- recommended accessories: 104343 – external Silent System for clipping onto the cup

☑ recommended plates: see p. 01.61

## Full overlay 125°



☑ for recommended plates: see p. 01.131

code	Hettich code	description
<b>104527</b>	73905	full overlay

- recommended accessories: 105363 – arm cover cap without logo (metal), 208689 – arm cover cap with logo (metal), 104343 – external Silent System for clipping onto the cup, 104346 – external damper with adapter for screwing into the cabinet body (full overlay and half overlay doors), 104338 – external Silent System for clipping onto the arm, 185695 – opening angle stop (110 ≥ 85°)

## Full overlay for thick door 14– 32 mm



motion	code	Hettich code	cup mounting
without soft closing	<b>104529</b>	73913	screw

- recommended accessories: 105363 – arm cover cap without logo (metal), 208689 – arm cover cap with logo (metal), 104343 – external Silent System for clipping onto the cup, 104346 – external damper with adapter for screwing into the cabinet body (full overlay and half overlay doors), 104338 – external Silent System for clipping onto the arm

## Half overlay for thick door 14– 32 mm



motion	code	Hettich code	cup mounting
without soft closing	<b>104530</b>	73917	screw

- recommended accessories: 104343 – external Silent System for clipping onto the cup, 104346 – external damper with adapter for screwing into the cabinet body (full overlay and half overlay doors)

☑ recommended plates: see p. 01.61

# Intermat 95° and 125° and hinges for very thick door

## Inset for thick door 14– 32 mm



motion	code	Hettich code	cup mounting
without soft closing	<b>104531</b>	73921	screw

## Full overlay for very thick door 16–43 mm

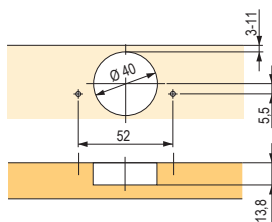


motion	code	Hettich code	cup mounting
without soft closing	<b>300804</b>	9155241	screw

- cup drilling 40 mm
- recommended accessories: 105363 – arm cover cap without logo (metal), 208689 – arm cover cap with logo (metal), 104343 – external Silent System for clipping onto the cup, 104346 – external damper with adapter for screwing into the cabinet body (full overlay and half overlay doors), 104338 – external Silent System for clipping onto the arm

recommended plates: see p. 01.61

## Half overlay for very thick door 16–43 mm



motion	code	Hettich code	cup mounting
without soft closing	<b>300805</b>	9155242	screw

- cup drilling 40 mm
- recommended accessories: 104343 – external Silent System for clipping onto the cup, 104346 – external damper with adapter for screwing into the cabinet body (full overlay and half overlay doors)

recommended plates: see p. 01.61

## Inset for very thick door 16–43 mm



motion	code	Hettich code	cup mounting
without soft closing	<b>300806</b>	9155243	screw

- cup drilling 40 mm
- recommended plates: see p. 01.61

## Full overlay



motion	code	Hettich code	cup mounting
without soft closing	<b>288352</b>	9099750	screw

- recommended accessories: 104343 – external Silent System for clipping onto the cup, 104346 – external damper with adapter for screwing into the cabinet body (full overlay and half overlay doors)

☑ recommended plates: see p. 01.61

## Half overlay



motion	code	Hettich code	cup mounting
without soft closing	<b>288353</b>	9099760	screw

- recommended accessories: 104343 – external Silent System for clipping onto the cup, 104346 – external damper with adapter for screwing into the cabinet body (full overlay and half overlay doors)

☑ recommended plates: see p. 01.61

## Opening angle stop



264245



300465

motion	code	Hettich code	angle
opening angle stop	<b>264245</b>	9090756	105/120°
	<b>300465</b>	9090864	90/135°

## Cranked 50/60°



motion	code	Hettich code	cup mounting
with diagonal adjustment depending to the door thickness	<b>208857</b>	9090045	screw

## 20°, full overlay



motion	code	Hettich code	cup mounting
without soft closing	<b>104570</b>	77644	screw

- recommended accessories: 104343 – external Silent System for clipping onto the cup, 104346 – external damper with adapter for screwing into the cabinet body (full overlay and half overlay doors)

☑ recommended plates: see p. 01.61

# Intermat angled and fridge hinges

## 30°, full overlay



motion	code	Hettich code	cup mounting
without soft closing	<b>104572</b>	77690	screw

- recommended accessories: 104343 – external Silent System for clipping onto the cup, 104346 – external damper with adapter for screwing into the cabinet body (full overlay and half overlay doors)

recommended plates: see p. 01.61

## 30°, inset



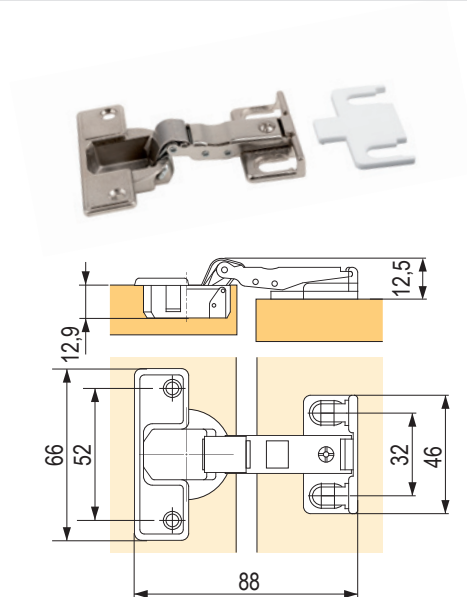
description	code	Hettich code	cup mounting
without soft closing	<b>104535</b>	73928	screw

- recommended accessories: 104343 – external Silent System for clipping onto the cup
- recommended plates: see p. 01.61

## Special hinge ET 582 for built-in refrigerators

code	Hettich code	material
<b>104454</b>	72134	nickel-plated steel

- door thickness from 16 mm
- cup diameter 35 mm
- 95° opening angle
- with spring
- complete set with a mounting plate and a plastic spacer
- if a plastic spacer is used, the distance is 3 mm
- integrated adjustment of assembly  $\pm 1$  mm
- depth adjustment  $\pm 3$  mm
- hinge cup: nickel-coated zinc casting
- joint: nickel-plated steel
- fixing of mounting plate 33 mm from cabinet body edge overlay 14.5 mm at distance 3 mm and cup distance C 4.5 mm



## Accessories for fridge hinges

code	Hettich code	description
<b>387533</b>	9239784	Kamat additional hinge
<b>538127</b>	9343483	Evisys guide hinge

# Intermat angled hinges

## 45°, full overlay, 95° opening angle



motion	code	Hettich code	cup mounting
without soft closing	<b>104199</b>	48096	screw

- recommended accessories: 104343 – external Silent System for clipping onto the cup, 104346 – external damper with adapter for screwing into the cabinet body (full overlay and half overlay doors)

recommended plates: see p. 01.61

## 45°, full overlay, 95° opening angle



motion	code	Hettich code	cup mounting
without soft closing	<b>104573</b>	77699	screw

- recommended accessories: 104343 – external Silent System for clipping onto the cup, 104346 – external damper with adapter for screwing into the cabinet body (full overlay and half overlay doors)

recommended plates: see p. 01.61

## 45°, inset, 95° opening angle



motion	code	Hettich code	cup mounting
without soft closing	<b>104536</b>	73932	screw

- recommended accessories: 104343 – external Silent System for clipping onto the cup

recommended plates: see p. 01.61

## 90°, inset, blind corner



motion	code	Hettich code	cup mounting
without soft closing	<b>104574</b>	77708	screw

recommended plates: see p. 01.61

## -30°, full overlay, 95° opening angle



motion	code	Hettich code	cup mounting
without soft closing	<b>104537</b>	73936	screw

- recommended accessories: 104346 – external damper with adapter for screwing into the cabinet body (full overlay and half overlay doors)

recommended plates: see p. 01.61

## -45°, full overlay, 95° opening angle



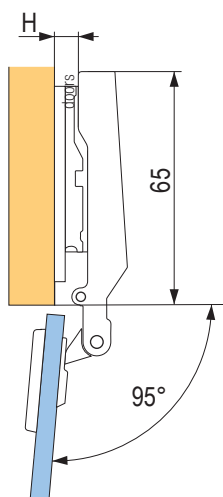
motion	code	Hettich code	cup mounting
without soft closing	<b>104569</b>	77643	screw

- recommended accessories: 104346 – external damper with adapter for screwing into the cabinet body (full overlay and half overlay doors)

recommended plates: see p. 01.61

# hinges for drilled glass door, thickness 4–6.5 mm

## Hinge



code	Hettich code	description
<b>104492</b>	72960	full overlay
<b>104496</b>	72967	half overlay
<b>104497</b>	72968	inset

for mounting plates, see p. 01.61

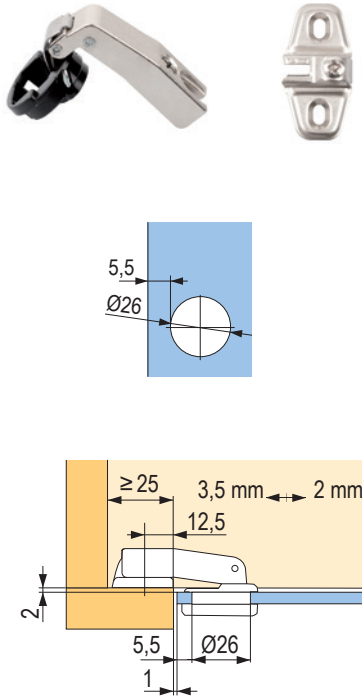
## Cover caps with counterparts for drilled glass door hinges



code	Hettich code	colour	
<b>105371</b>	40341	chrome	0
<b>105372</b>	70712	matt nickel	
<b>105376</b>	40340	gold-coated	
<b>105369</b>	70061	black	
<b>105383</b>	40495	chrome	D
<b>105384</b>	70713	matt nickel	
<b>105386</b>	40494	gold-coated	
<b>105379</b>	70052	black	

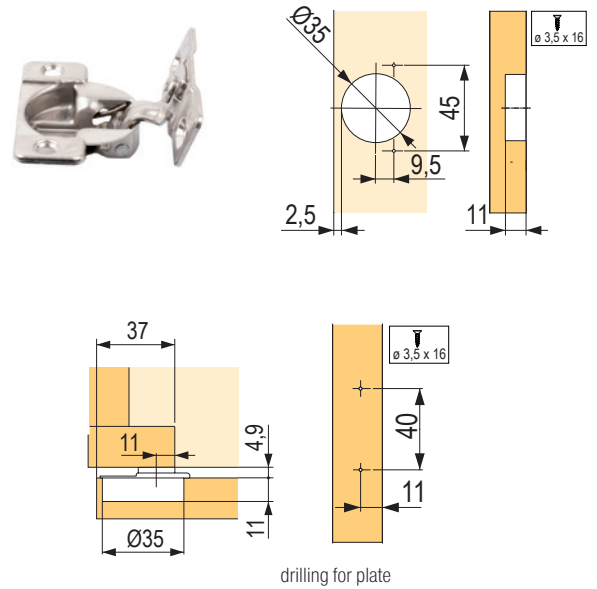
- cover caps with mounting screws for glass 4.5– 5.5 mm included
- for glass 5.5– 6.5 mm, screws 107651 must be ordered

**Perfekt 90°, blind corner**



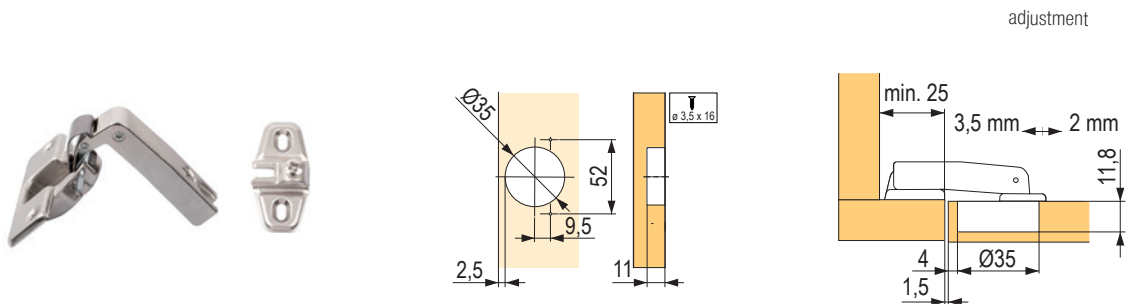
code	Hettich code	description
104393	69607	inset

**Optimat Plus**



code	Hettich code	description
308098	9072548	full overlay

**90°, blind corner**



code	Hettich code	description
104391	69603	inset

Minimum gap (F) between individual doors					
door thickness (mm)	cup drilling distance (C)				
	3	4	4,5	5	6
16	0,3	0,3	0,3	0,3	0,3
18	0,5	0,5	0,5	0,5	0,5
19	0,6	0,6	0,6	0,6	0,6
22	1,2	1,2	1,2	1,2	1,1

# Intermat – Silent System and accessories

## For clipping onto hinges



code	Hettich code	description
<b>104338</b>	60576	for clipping onto the arm, full overlay
<b>104343</b>	60581	for clipping onto the cup

- dampers for full overlay doors
- damper for clipping onto the arm can be used only for hinges with straight arm
- soft closing can be controlled by the adjustment castor

## External damper



code	Hettich code	description
<b>104341</b>	60579	for screwing-on, for full overlay and half overlay doors, with the possibility to adjust the soft closing force
<b>107839</b>	60685	for drilling-in, for full overlay and half overlay doors
<b>104346</b>	60687	for screwing-on, for full overlay and half overlay doors

- mounting by screwing on the base or the top, or drilling-in into the edge
- the metal damper for screwing on the hinge side can be controlled by the adjustment castor

## Cover caps



code	Hettich code	description	material
<b>105363</b>	9101552	arm, full overlay, without logo	nickel
<b>208689</b>	9102082	arm, full overlay, with logo	nickel

## Full overlay, 270° opening angle, nickel



code	Hettich code	description
<b>104078</b>	45045	for cabinet body side and door side thickness up to 19 mm
<b>104576</b>	77736	T 22/9 for screwing-on

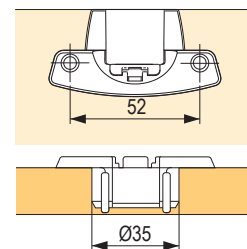
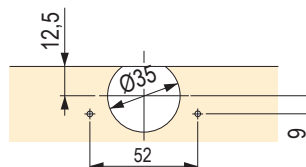
- type of cup
- cup T 22/9 for screwing-on

## Inset, 180° opening angle, nickel



code	Hettich code	description	cup mounting
<b>105606</b>	77734	bowl	screw
<b>105217</b>	45064	arm	with expanding sockets

## Full overlay, 270° opening angle, black



code	Hettich code	description	cup mounting
<b>300846</b>	9072543	bowl	screw
<b>300850</b>	9072547	arm	with expanding sockets

- The special finish allows this hinge to be used even in highly acidic environments (e.g. in a laboratory), or equally in other corrosion-intensive environments (e.g. outdoor kitchens).

- single-pivot hinge with clip technique
- with visible pin
- drilling pitch 32 mm
- cup diameter 35 mm, door overlay 15 or 16 mm, pin diameter 5.4 mm, knuckle length 39 mm
- separate mounting of the cup and hinge arm
- in the hinge arm, there are split dowels and pre-mounted screws
- quick assembly of the door with clip-type technique without using power tools
- high safety preventing unwanted release: the lock can only be released with a screwdriver
- at a 180° opening angle, the doors do not protrude into the internal clearance of the cabinet body, leaving the interior space free for pull-out elements
- overlay adjustment using cam – 2 mm
- cam height adjustment ± 2 mm
- cup and hinge arm: precision nickel-coated zinc casts
- hinge = arm + cup

## Arm cover cap

code	Hettich code	description
<b>103739</b>	10067	silver-grey plastic

- can be used with Selektta Pro series hinges



# for non-drilled glass doors

## Type ET 5150 hinge for glass doors



103899



104397

code	Hettich code	mounting	colour
<b>103899</b>	24908	in corners, without drilling, set of 2 pcs	matt nickel
<b>104397</b>	69934	central for doors over 1 000 mm, 12 mm boring required	matt nickel

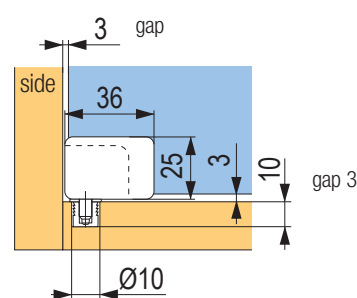
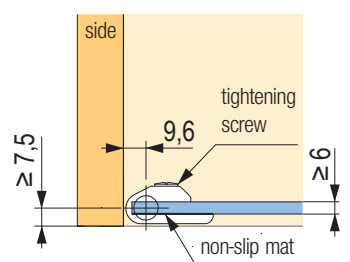
- for inset glass doors
- maximum door dimensions 1 000 × 600 mm
- 170° opening angle
- maximum glass thickness 6.3 mm
- with spring
- required gap up and down 2.2 mm,
- on sides 2 mm
- the hinge is mounted on the glass door with a clamping screw, so it is not necessary to drill into glass
- zinc casting
- the set includes: 1 pair of hinges without handles

## Stainless steel hinge VEOSYS

code	Hettich code	description
<b>468852</b>	9289590	movement with soft closing

- stainless steel cup hinge with clip-on quick-mount and integrated damper and 105°
- door thickness 14–24 mm
- cup diameter 35 mm, cup bore depth 11.5 mm, boring pattern TH 52 × 5.5 mm
- stainless steel cruciform mounting plate D = 0 – 468855

## Type ET 150 hinge for glass doors



code	Hettich code	description	colour
<b>103879</b>	20870	1 set	matt nickel
<b>103880</b>	20871	handle, left	matt nickel
<b>103881</b>	20872	handle, right	matt nickel

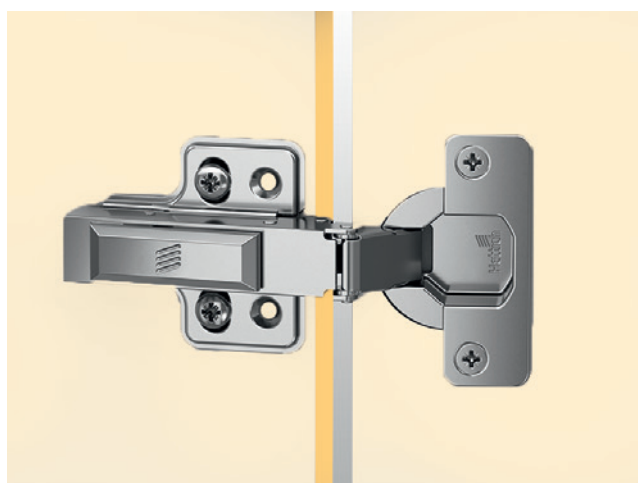
- for inset glass doors
- maximum door dimensions 1 000 × 500 mm
- 105° opening angle
- maximum glass thickness 5.2 mm
- required gap up and down 3 mm, on sides 2.8 mm
- the hinge is mounted on the glass door with a clamping screw, so it is not necessary to drill into glass
- zinc casting, nickel-coated matt
- only available as a set, i.e. one top and one bottom hinge
- the set includes: 1 pair of hinges

## Handle for glass doors

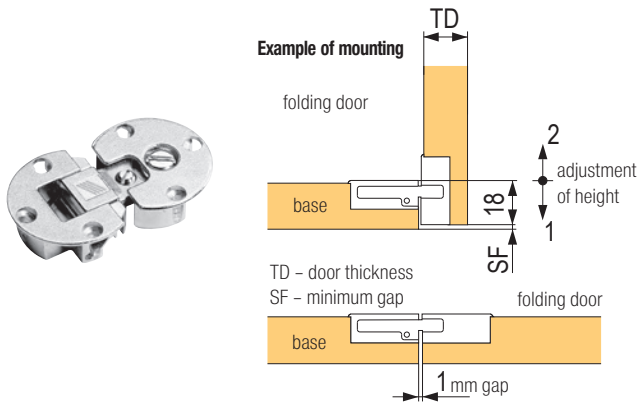


code	Hettich code	description	colour
<b>103941</b>	25314	1 pcs	matt nickel

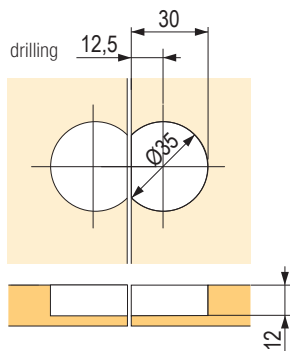
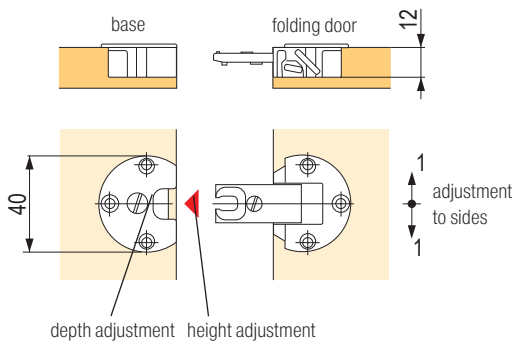
- its design matches the ET 5150 hinge for glass doors
- the handle is mounted on the glass door with a clamping screw
- zinc casting



## Markant 11



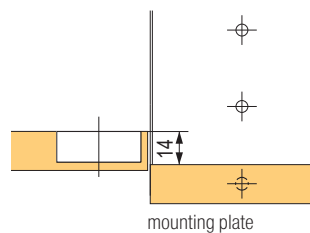
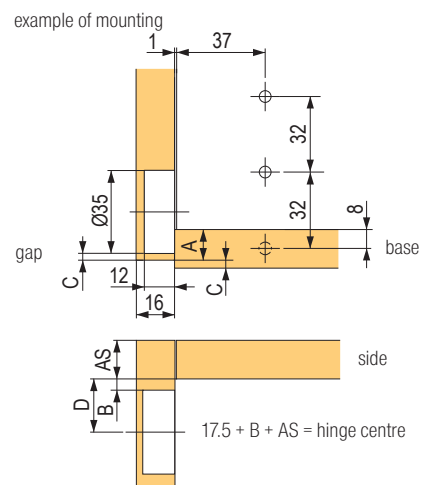
fixed by screws with a diameter of 3.0 × 15 mm or 3.0 × 13 mm with countersunk head, head diameter 6 mm



code	Hettich code	material
<b>103980</b>	40242	nickel-coated

- the hinge consists of two parts which are mounted separately, which makes it possible to retrofit the door
- independent height, side and depth adjustment
- identical drilling of bottom and door
- fixed and precise attachment of the hinge with three screws
- milling edges are covered
- in open position without height adjustment, the inner side of the base levels with the door
- precise zinc casting

## Markant 7.1



cup distance C (mm)	A (mm)
3.0	13.0
4.0	14.0
4.5	14.5
5.0	15.0
6.0	16.0
7.0	17.0

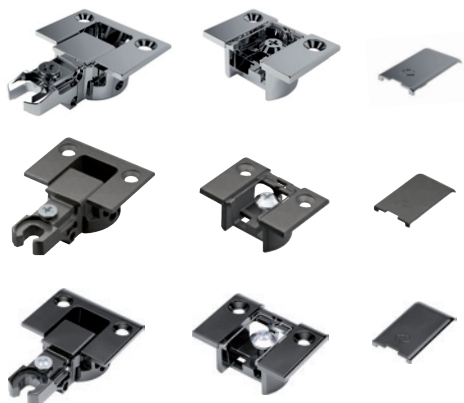
distance (mm)	B (mm)	D (mm)
0,0	6,0	23,5
1,5	7,5	25,0
3,0	9,0	26,5
5,0	11,0	28,5

code	Hettich code	material
<b>104148</b>	46849	nickel-plated steel

- for full overlay folding doors
- separate mounting of flap hinge and mounting plate
- cup diameter 35 mm
- depth adjustment ± 2 mm
- height adjustment ± 2 mm with a mounting plate
- nickel-plated steel
- supplied in set (1 left + 1 right hinge)

recommended plates: 106340; 106419

### Kimana hinge for bottom lifting doors



code	colour
<b>224888</b>	nickel
<b>352521</b>	graphite

- modern compact design
- adjustment in 3 directions
- for material thickness of 18-20 mm

### Spacer



code	description
<b>355723</b>	thickness 2 mm

- when using thinner materials (e.g. cabinet body thickness 16 mm)

### Folding hinges



code	colour	opening angle
<b>10902</b>	chrome	180°

- hinge depth 7 mm



code	colour
<b>225246</b>	white
<b>225247</b>	brown

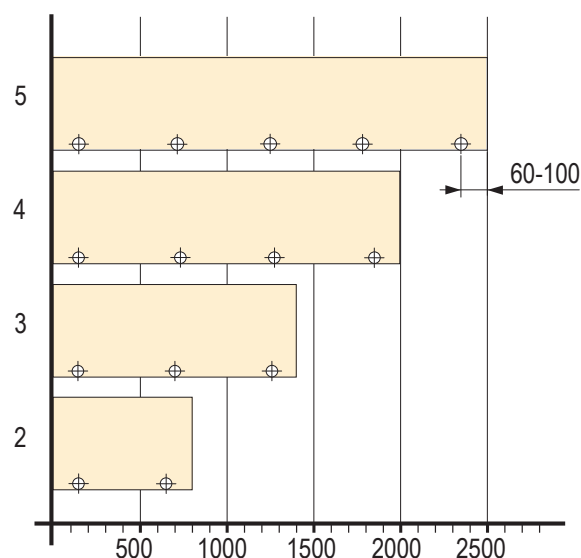
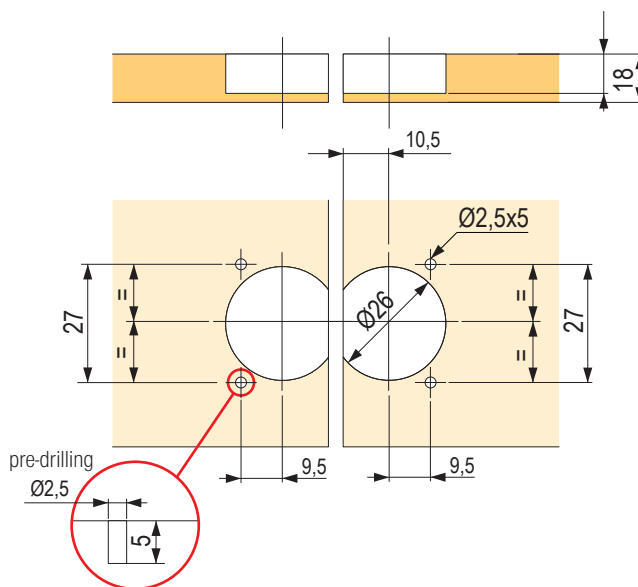
### Kimana Skin



code	colour
<b>507948</b>	black
<b>507947</b>	nickel

#### installation into full doors

(example for doors with minimum thickness of 18 mm)

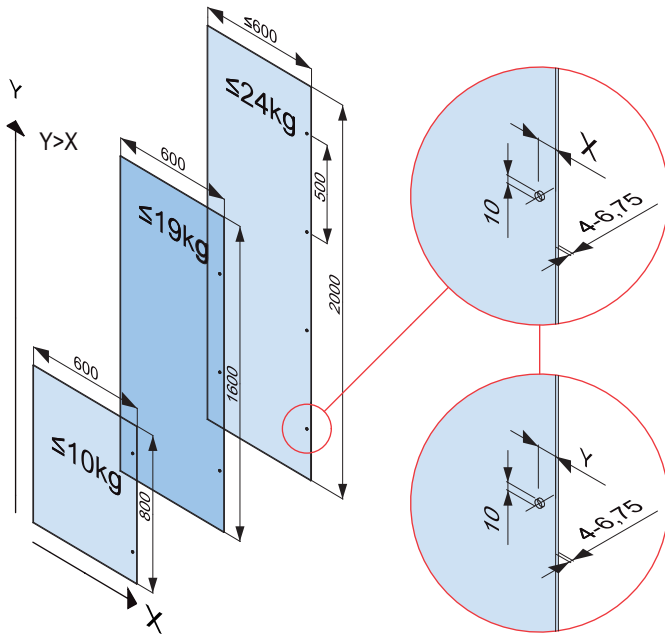
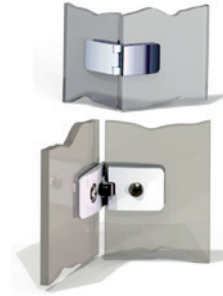


# for glass non-drilled doors

## SEE-ME for all-glass cabinet body or standard with glass door

code	colour	angle
<b>225244</b>	chrome	180°

- for both glass and wooden cabinet body
- for glass thickness 4–6.75 mm
- drilling for connecting bolt, diameter 10 mm
- 180° opening angle
- mounting on any side: left, right, top, bottom

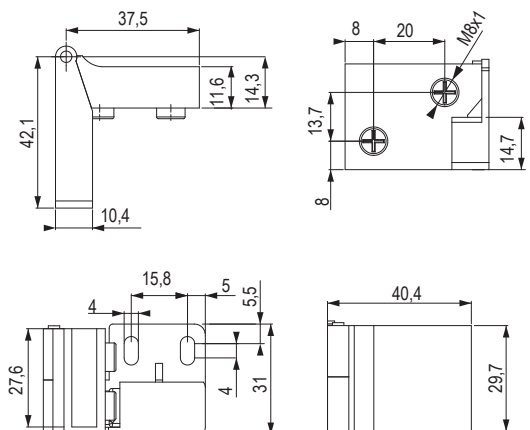
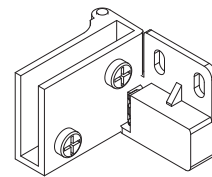


sides

x/D	x	y
inset	22 mm	25 mm
full overlay	25 mm	22 mm

doors

## Diza



code	description	colour
<b>10800</b>	pair	chrome
<b>404576</b>	pair	black

- maximum glass thickness 5 mm
- with locking in the closed position (at 90°)
- approximate glass dimensions: LW - 5 mm × LH - 5 mm

# piano, drilling, wing hinges

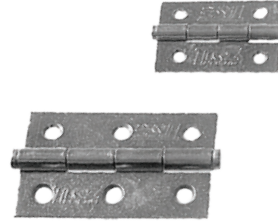
## Wing 50 × 50



code	colour
<b>392591</b>	galvanised steel

- the outer diameter of the pin and the thickness of the closed hinge is 8 mm
- sheet metal thickness of 1.9 mm

## Wing KZ 40, 60, 80



code	„A“ (mm)	„B“ (mm)	„C“ (mm)	colour
<b>11016</b>	40	30	5,5	zinc
<b>11017</b>	60	40	7	zinc
<b>100164</b>	80	70	7	zinc

## Piano, stainless steel



code	description	colour
<b>402794</b>	length 900 mm, width 30.5 mm	stainless steel
<b>402800</b>	length 2300 mm, width 30.5 mm	stainless steel

- material: stainless steel (SS201) including internal pin

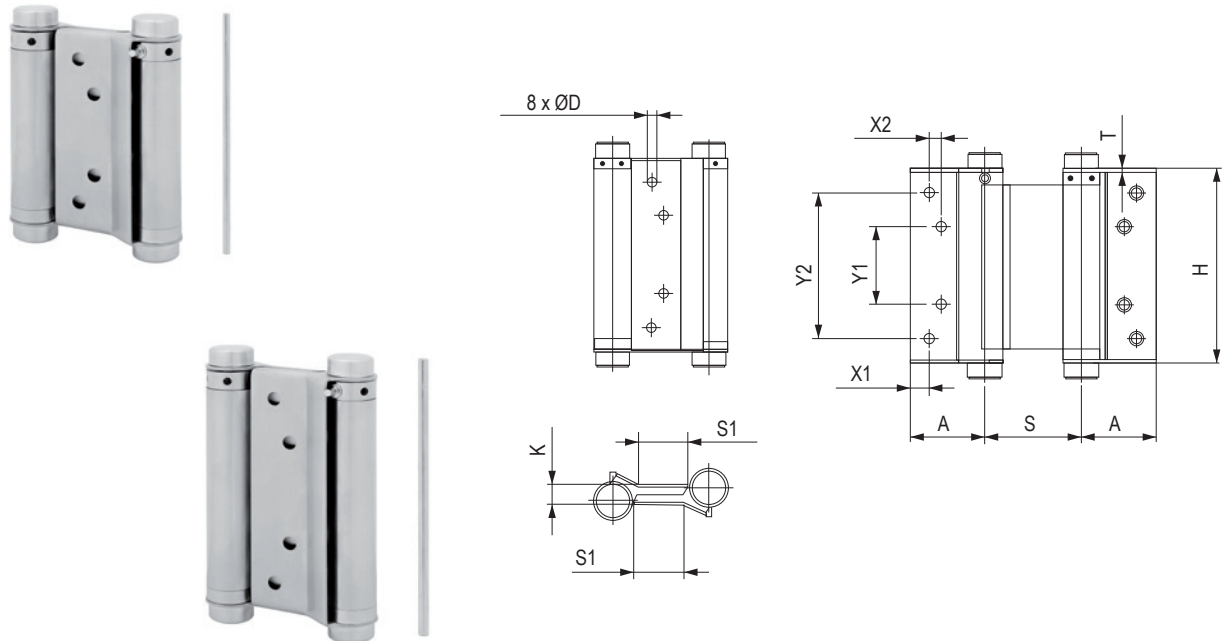
## Bayonet



code	colour
<b>11022</b>	zinc
<b>11022R</b>	galvanised, economy

- material thickness of 1.5 mm

## Stainless steel, for reversible doors



### Package includes:

- one pair of hinges
- spring adjustment thick
- screws (16 pcs)

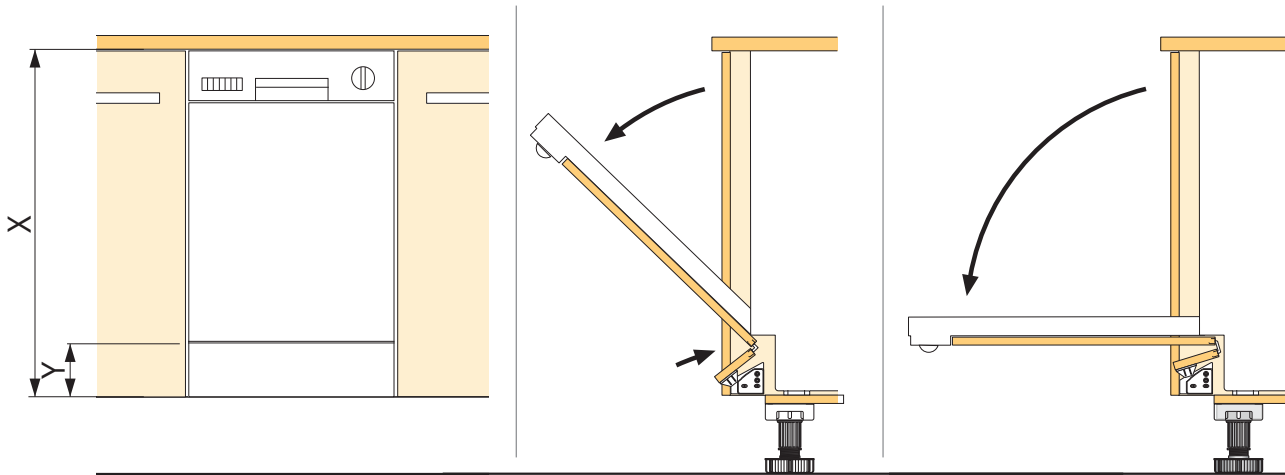
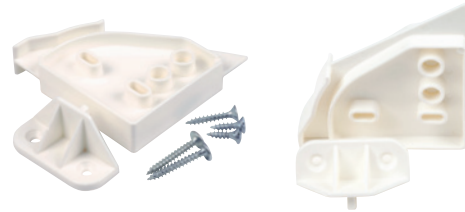
code	size (mm)	H ± 2 (mm)	S ± 2 (mm)	S1 ± 2 (mm)	A ± 2 (mm)	T ± 0.5 (mm)	D ± 0.5 (mm)	K ± 2 (mm)
<b>392257</b>	75	76	51	27	39,5	1,5	5,5	11
<b>392258</b>	100	102	51	27	39,5	1,5	5,8	11
<b>392259</b>	125	125	63	37	45	1,5	6,5	11
<b>392261</b>	150	152	63,5	37	45	1,5	6,8	11

- material: stainless steel
- possibility of adjustment of the closing spring

# for folding plinth under the dishwasher

code	description
<b>171331</b>	for high cabinet body

❗ it is necessary to supply with 2 pcs of hinges with order code 10905 or 103964



- X and Y values depend on the specific assembly and type of dishwasher and must be verified by test fitting
- the values of the height of the folded part (approx. 100 mm) and the protrusion of the door (min. 30 mm) are only indicative

