

lifting and folding mechanisms



MATERIAL FOR DOOR PRODUCTION

The material for the door and cabinet body together with the fittings? There's nothing easier than ordering both from us.



SAMPLE ROOM DISPLAYS

What are the differences between the different lift fittings? Come and see for yourself or send your customers to our sample room and we will show them and advise them on the selection.



FORMS FOR EASY ORDERING

The easiest way to choose the right lift force and order all the necessary parts to assemble it. Forms can be found on our website.



DOOR DELIVERIES

Bespoke furniture doors, where you pay per m² of material used. We cut, trim and bring it to you.



PORTAL

A customer portal for purchasing, order overview, job submission, formatting, and status tracking. All in one place: stock availability, your prices, and much more.



ADVISORY SERVICE





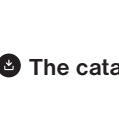
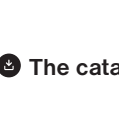
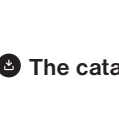

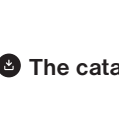
Not sure about the fittings and the choice of assembly? Call +420 556 684 310 or email export@demos-trade.com and we will be happy to help you.








DELIVERY TO YOUR DOOR

All orders will be delivered to your hands within 72 hours.

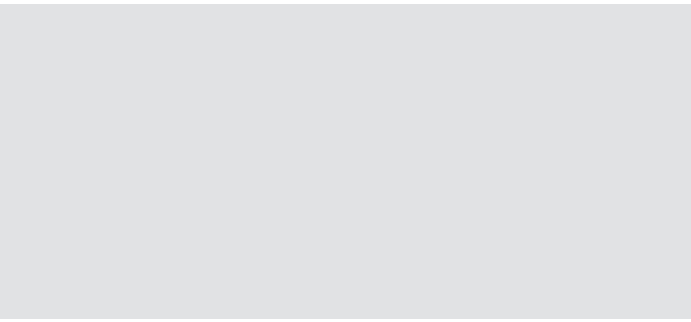
contents

		Contents by brand:		Strong	02.6
				Blum	02.26
		bi-fold lift system		Kesseböhmer FREEfold	02.17
				Blum Aventos HF top	02.29
		stay lift system		Kesseböhmer FREEspace	02.13
				Kesseböhmer FREEslim flap	02.15
		up and over lift system		Kesseböhmer FREElight	02.16
				Kesseböhmer MAXI	02.23
		lift up system		Kesseböhmer DUO, DUO Forte	02.25
				Blum Aventos HKi	02.27
		lift up system		Blum Aventos HK top	02.33
				Blum Aventos HK-S	02.35
		lift up system		Blum Aventos HK-XS	02.37
				Kesseböhmer FREEswing	02.21
		up and over lift system		Blum Aventos HS top	02.32
				Kesseböhmer FREEslide	02.19
		lift up system		Blum Aventos HL top	02.31

	adjustable gas and oils pistons	<table border="0"> <tr> <td>Strong</td> <td>StrongLifts</td> <td>02.7</td> </tr> <tr> <td>Italiana</td> <td>K12</td> <td>02.41</td> </tr> <tr> <td>Ferramenta</td> <td>Kraby</td> <td>02.44</td> </tr> </table>	Strong	StrongLifts	02.7	Italiana	K12	02.41	Ferramenta	Kraby	02.44									
Strong	StrongLifts	02.7																		
Italiana	K12	02.41																		
Ferramenta	Kraby	02.44																		
	bottom lift system	<table border="0"> <tr> <td>Strong</td> <td>StrongLifts</td> <td>02.8</td> </tr> <tr> <td>Italiana</td> <td>K12</td> <td>02.43</td> </tr> <tr> <td>Ferramenta</td> <td>Kraby</td> <td>02.47</td> </tr> <tr> <td></td> <td>Kiario S</td> <td>02.48</td> </tr> <tr> <td></td> <td>Kiario Easy</td> <td>02.49</td> </tr> <tr> <td>Kesseböhmer</td> <td>DUO, DUO Forte</td> <td>02.25</td> </tr> </table>	Strong	StrongLifts	02.8	Italiana	K12	02.43	Ferramenta	Kraby	02.47		Kiario S	02.48		Kiario Easy	02.49	Kesseböhmer	DUO, DUO Forte	02.25
Strong	StrongLifts	02.8																		
Italiana	K12	02.43																		
Ferramenta	Kraby	02.47																		
	Kiario S	02.48																		
	Kiario Easy	02.49																		
Kesseböhmer	DUO, DUO Forte	02.25																		
	fittings for lifting shoe rack	<table border="0"> <tr> <td>Strong</td> <td></td> <td>02.10</td> </tr> <tr> <td>Hettich</td> <td></td> <td>02.10</td> </tr> </table>	Strong		02.10	Hettich		02.10												
Strong		02.10																		
Hettich		02.10																		
	special	<table border="0"> <tr> <td>Strong</td> <td>Strong Tatami</td> <td>02.8</td> </tr> <tr> <td>Kesseböhmer</td> <td>MAXI up</td> <td>02.24</td> </tr> </table>	Strong	Strong Tatami	02.8	Kesseböhmer	MAXI up	02.24												
Strong	Strong Tatami	02.8																		
Kesseböhmer	MAXI up	02.24																		
	bed fittings	<table border="0"> <tr> <td>Strong, gas and oil</td> <td></td> <td>02.51</td> </tr> <tr> <td>Pozzoli</td> <td></td> <td>02.53</td> </tr> <tr> <td>Hettich</td> <td></td> <td>02.56</td> </tr> <tr> <td></td> <td></td> <td>02.52; 02.55</td> </tr> </table>	Strong, gas and oil		02.51	Pozzoli		02.53	Hettich		02.56			02.52; 02.55						
Strong, gas and oil		02.51																		
Pozzoli		02.53																		
Hettich		02.56																		
		02.52; 02.55																		

contents





**automatic
gas and oil
pistons**

02.7



**adjustable
gas and oils pistons**

02.7



**gas and oil piston
Tatami**

02.8



**mechanical
lift-ups**

02.9



**fittings for
lifting
shoe rack**

02.10

StrongLifts – gas and oil, length 245 mm

Automatic



grey	white	lift force
275672	248162	30 N
275673	248163	60 N
275674	248164	80 N
275675	248165	100 N
275676	248166	120 N

- the door opens to its maximum position (without positioning function)
- ☑ recommended use in combination with springless hinges, p. 01.11

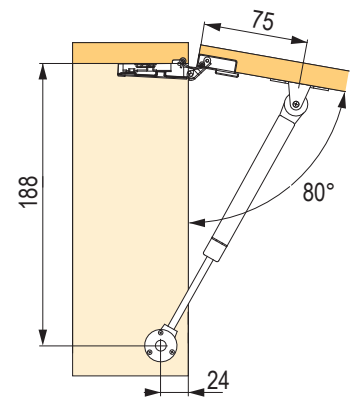
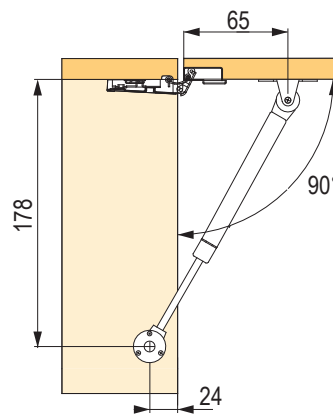
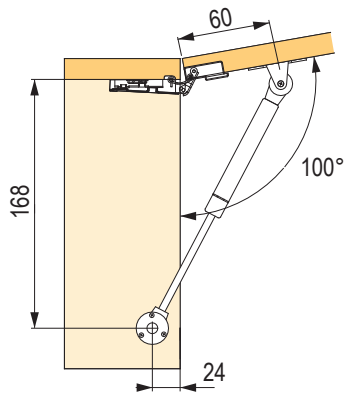
Adjustable



grey	white	lift force
284250	284254	60 N
284251	284255	80 N
284252	284256	100 N
284253	284257	120 N

- with a positioning function (you need to use the correct piston force)
- ☑ recommended use in combination with springless hinges, p. 01.11
- for precise calculation of the force required to open the door, the following formula can be used:
 - required piston force (N) = door weight (kg) × door height (mm) / 13.5
- for a two-piston option, use half the force

Dimensional diagrams



For top lift-up system



grey	lift force
315986	80 N

- the door opens to its maximum position (without positioning function)
- minimum inner height for installation is 185 mm
- ☑ recommended use in combination with springless hinges, p. 01.11

Configurator for correct lift-up selection

CZ	SK	PL
HU	EN	FR

StrongLifts – gas and oil, length 180 mm top and 245 mm bottom

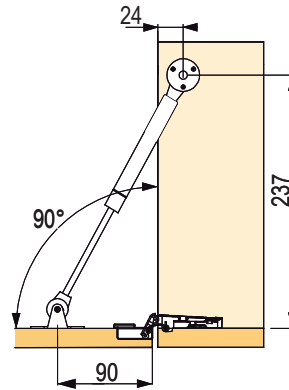


Bottom



grey	white	force of the drop-down
275689	248167	drop-down 80 N

Dimensional diagram



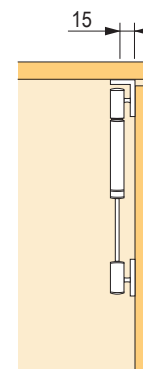
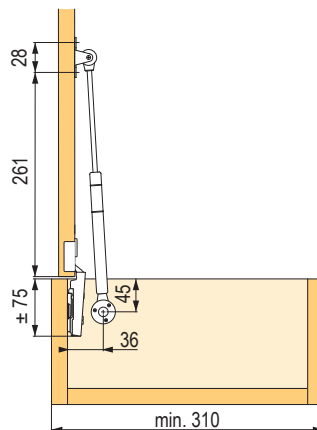
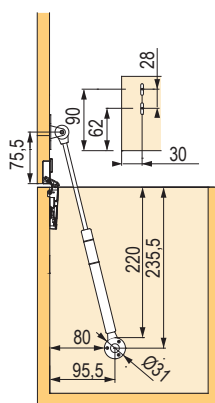
Tatami soft closing lift-up, 230 mm

grey	lift force
317900	120 N

- a lift-up designed for door in horizontal position (chests, etc.)
 - with soft closing function
 - inner cabinet body depth 270 mm
 - from the door width of 600 mm, use two pistons
- hinges without spring, p. 01.11



Dimensional diagrams



Accessories for StrongLifts pistons

code	description
276001	clip for aluminium frames

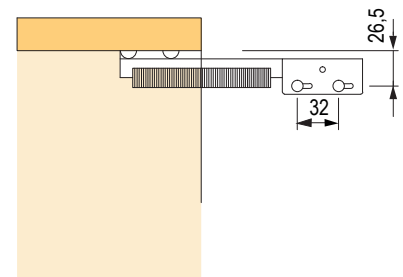
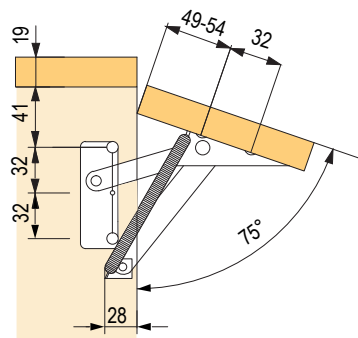
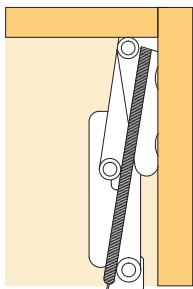


Spring lifting mechanism, top

code	description
11477	without a possibility to adjust the lift force



Dimensional diagrams



Bottom

code	description
15620	200, nickel



Bottom with brake

code	description
15623	white, left



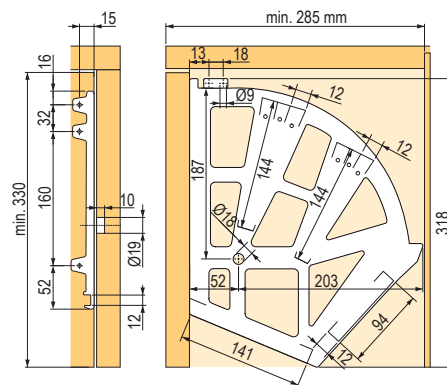
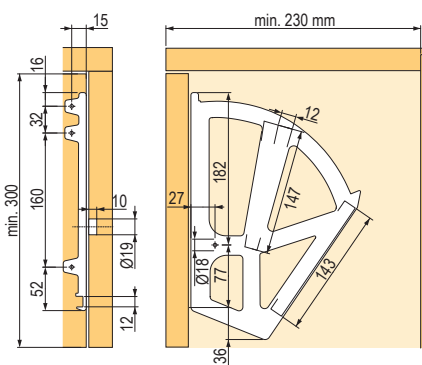
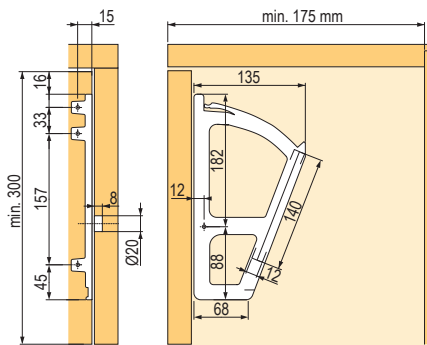
for lifting shoe rack

Strong



code	description
100246	1-row, plastic, white
11485	2-rows, plastic, white
11484	3-rows, plastic, white

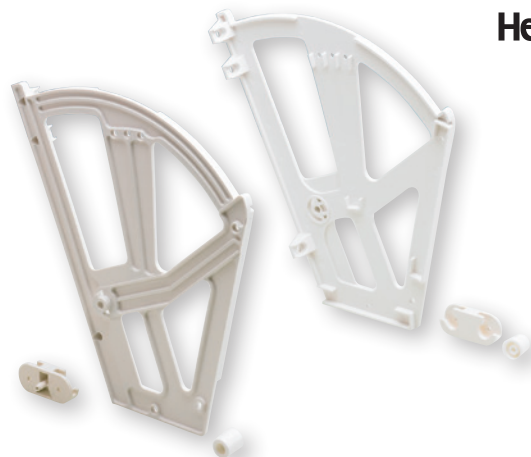
- only for inset doors

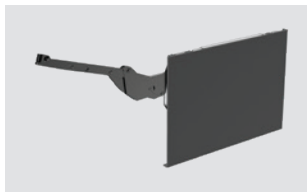

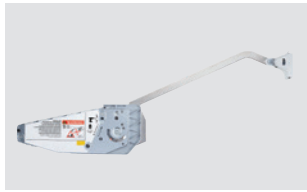







Hettich

code	Hettich code	number of compartments
104089	42473	1
104087	42474	2
104088	42475	3

- for assembly into cabinet body of any width
- white plastic
- set includes:
 - 2 side parts – right and left, with holes for front attachment
 - 2 swivel bearings
 - 2 backstops



	FREEslim		02.13
	FREEspace	with soft closing for handleless opening	02.14 02.15
	FREEfold		02.17
	FREEslide		02.19
	FREEswing		02.20
	FREElight		02.16
	FREEmaxi and maxi up		02.23
	FREEduo and duo forte		02.25

FREEslim flap

Lift-up with option of milling into the cabinet body side

- **Body only 8 mm thin** – ideal even for narrow cabinet bodies.
- Easy mounting: side-mount or mill in.
- SoftSTOPP damping and multi-position stop.
- Quick assembly thanks to ClickFix and 3D adjustment.
- Universal for both sides of the cabinet body – fewer variants, easy to stock.
- High load capacity (LF 480–4 800) for cabinet bodies 225–650 mm.
- Optionally available with electric drive.



Lift-up mechanisms

Standard	Push to Open
545275	545276

- It must be verified that the value according to the formula (front weight in kg × height in mm) is within the range of 480–4 800

Cover caps

code	colour
545279	grey
545280	white
547476	anthracite
547477	black

Accessories

description	grey	white	anthracite	black
front fitting, screw-on	545281	545282	547478	547479
front fitting, dowel-mount	547480	547481	547482	547483
front cover caps for external mounting	547484	547485	547486	547487
push piston, light	547488	547489	547490	547491
push piston, medium	547492	547493	547494	547495
push piston, heavy	547496	547497	547498	547499
adapter for push piston	547500	547501	547502	547503

code	colour	description
547504	black	front fitting for aluminium frame, black ¹⁾
547505	nickel	front fitting for aluminium frame, nickel ¹⁾

¹⁾for frame 19–21 mm

With soft-closing function

colour	FREEspace mini					FREEspace forte	
	B	C	D	E	F	G	H
grey	410614	410619	410625	410635	410645	465071	465074
white	410615	410622	410626	410636	410647	465069	465072
anthracite	410616	410623	410627	410637	410648	465070	465073
black	410617	410624	410628	410638	410649	×	×

height of cabinet body in mm	front weight + 2× handle in kg						
	B	C	D	E	F	G	H
225	2,3–4,3	3,8–7,1	6,4–9,3	9,2–13,4	13,4–19,1	–	–
250	1,9–3,9	3,4–6,4	5,8–9,1	8,3–12,6	12,1–17,2	–	–
275	1,9–3,5	3,1–5,8	5,3–8,2	7,5–12,0	11–15,6	–	–
300	1,7–3,2	2,8–5,3	4,8–7,5	6,9–11,0	10,1–14,3	–	–
325	1,6–3,0	2,6–4,9	4,4–7,0	6,4–10,2	9,3–13,2	–	–
350	1,5–2,8	2,4–4,6	4,1–6,5	5,9–9,5	8,6–12,3	11,7–18,9	18–25,7
375	1,3–2,6	2,2–4,3	3,8–6,0	5,5–8,8	8,1–11,4	10,9–17,6	16,8–24
400	1,2–2,4	2,1–4,0	3,6–5,6	5,2–8,3	7,6–10,7	10,2–16,5	15,8–22,5
425	1,1–2,3	2,0–3,8	3,4–5,3	4,9–7,8	7,1–10,1	9,6–15,5	14,8–21,2
450	1,0–2,1	1,9–3,5	3,2–5,0	4,6–7,3	6,7–9,5	9,1–14,7	14–20
475	1,0–2,0	1,8–3,4	3,0–4,7	4,3–7,0	6,4–9,0	8,6–13,9	13,3–18,9
500	0,9–1,9	1,7–3,2	2,9–4,5	4,1–6,6	6,0–8,6	8,2–13,2	12,6–18
525	0,9–1,8	1,6–3,0	2,7–4,3	3,9–6,3	5,7–8,2	7,8–12,6	12–17,1
550	0,8–1,7	1,5–2,9	2,6–4,1	3,7–6,0	5,5–7,8	7,4–12	11,5–16,4
575	0,8–1,7	1,4–2,8	2,5–3,9	3,6–5,7	5,2–7,4	7,1–11,5	11–15,7
600	0,8–1,6	1,4–2,7	2,4–3,7	3,4–5,5	5,0–7,1	6,8–11	10,5–15
625	0,7–1,5	1,3–2,5	2,3–3,6	3,3–5,3	4,8–6,8	6,5–10,6	10,1–14,4
650	0,7–1,5	1,3–2,4	2,2–3,5	3,2–5,1	4,6–6,6	6,3–10,2	9,7–13,8



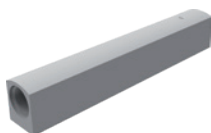
Set contains:

- L+R lift
- 2× front fitting
- 4× screw

- minimum frame width 45 mm

Adapter

code	description
410703	for push piston



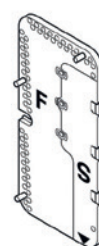
Self-tapping screws

code	description
410701	for narrow aluminium



Assembly jig

code
410704



Handleless opening

colour	FREEspace mini				FREEspace forte		
	B	C	D	E	F	G	H
grey	410674	410684	410690	410691	465077	465080	465083
white	410678	410685	410692	410693	465075	465078	465081
anthracite	410681	410686	410695	410696	465076	465079	465082
black	410682	410697	410698	410699	x	x	x

height of cabinet body in mm	front weight + 2× handle in kg						
	B	C	D	E	F	G	H
225	2,3–4,3	3,8–7,1	6,4–9,3	9,2–13,4	–	–	–
250	1,9–3,9	3,4–6,4	5,8–9,1	8,3–12,6	–	–	–
275	1,9–3,5	3,1–5,8	5,3–8,2	7,5–12,0	–	–	–
300	1,7–3,2	2,8–5,3	4,8–7,5	6,9–11,0	–	–	–
325	1,6–3,0	2,6–4,9	4,4–7,0	6,4–10,2	–	–	–
350	1,5–2,8	2,4–4,6	4,1–6,5	5,9–9,5	8,7–18,9	11,7–18,9	18–25,7
375	1,3–2,6	2,2–4,3	3,8–6,0	5,5–8,8	8,1–17,6	10,9–17,6	16,8–24
400	1,2–2,4	2,1–4,0	3,6–5,6	5,2–8,3	7,6–16,5	10,2–16,5	15,8–22,5
425	1,1–2,3	2,0–3,8	3,4–5,3	4,9–7,8	7,2–15,5	9,6–15,5	14,8–21,2
450	1,0–2,1	1,9–3,5	3,2–5,0	4,6–7,3	6,8–14,7	9,1–14,7	14–20
475	1,0–2,0	1,8–3,4	3,0–4,7	4,3–7,0	6,4–13,9	8,6–13,9	13,3–18,9
500	0,9–1,9	1,7–3,2	2,9–4,5	4,1–6,6	6,1–13,2	8,2–13,2	12,6–18
525	0,9–1,8	1,6–3,0	2,7–4,3	3,9–6,3	5,8–12,6	7,8–12,6	12–17,1
550	0,8–1,7	1,5–2,9	2,6–4,1	3,7–6,0	5,5–12	7,4–12	11,5–16,4
575	0,8–1,7	1,4–2,8	2,5–3,9	3,6–5,7	5,3–11,5	7,1–11,5	11–15,7
600	0,8–1,6	1,4–2,7	2,4–3,7	3,4–5,5	5,1–11	6,8–11	10,5–15
625	0,7–1,5	1,3–2,5	2,3–3,6	3,3–5,3	4,9–10,6	6,5–10,6	10,1–14,4
650	0,7–1,5	1,3–2,4	2,2–3,5	3,2–5,1	4,7–10,2	6,3–10,2	9,7–13,8

- minimum frame width 45 mm



Assembly video



Set contains:

- L+R lift
- 2× front fitting
- 4× screw
- 1× push piston



reddot design award
winner 2019

Colour design of lifts



Stay lift

code	description	colour
356411	type A	white
356412	type B	
356413	type C	
356414	type D	
356415	type A	grey
356416	type B	
356417	type C	
356418	type D	

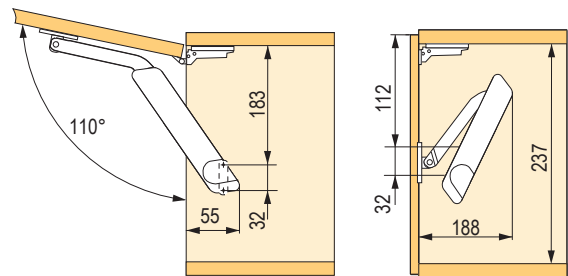


- 75, 90 and 110° opening angle
- including cabinet body and door fixing brackets, doors, cover caps, and key for strength adjustment
- ☑ for the handle version, we recommend using hinges with soft closing, e.g. on p. 01.11
- ☑ for handleless opening, we recommend the K-push system, p. 01.21 (extra strong with magnet)

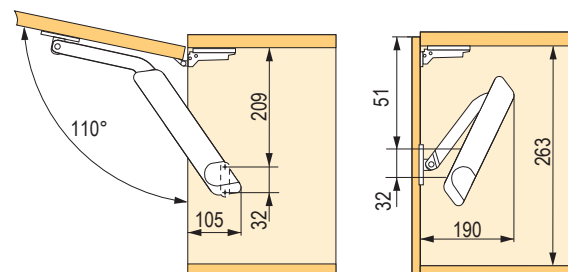
door height (mm)	110° version with handle		110° version push to open	
	weight (kg)	type of lift	weight (kg)	type of lift
275	1,9 – 2,8	A	-	-
	2,6 – 4,3	B	-	-
	4,2 – 7,1	D	-	-
300	1,1 – 2,4	A	1,5 – 2,1	B
	2,4 – 4,1	B	2,1 – 3	C
	4 – 7	D	2,7 – 4,1	D
350	1,1 – 2,1	A	1,5 – 2,1	B
	2,1 – 3,7	B	1,9 – 2,7	C
	3,6 – 6,4	D	2,6 – 3,7	D
400	1,1 – 1,7	A	1,1 – 1,5	B
	1,7 – 3,2	B	1,5 – 2,5	C
	3,2 – 5,5	D	2,2 – 3,5	D
450	1 – 1,6	A	1 – 1,3	B
	1,6 – 2,8	B	1,3 – 2,3	C
	2,8 – 5,5	D	2 – 2,9	D
500	1 – 1,4	A	-	-
	1,3 – 2,5	B	1,2 – 1,7	C
	2,5 – 4,5	D	1,6 – 2,7	D
550	0,8 – 1,3	A	-	-
	1,3 – 2,2	B	1,2 – 1,7	C
	2,2 – 3,9	D	1,5 – 2,3	D
600	0,7 – 1,2	A	-	-
	1,2 – 2,2	B	1,2 – 1,5	C
	2,2 – 4,3	D	1,3 – 2,1	D

- the values given in the table correspond to 1 piece of lift fitting

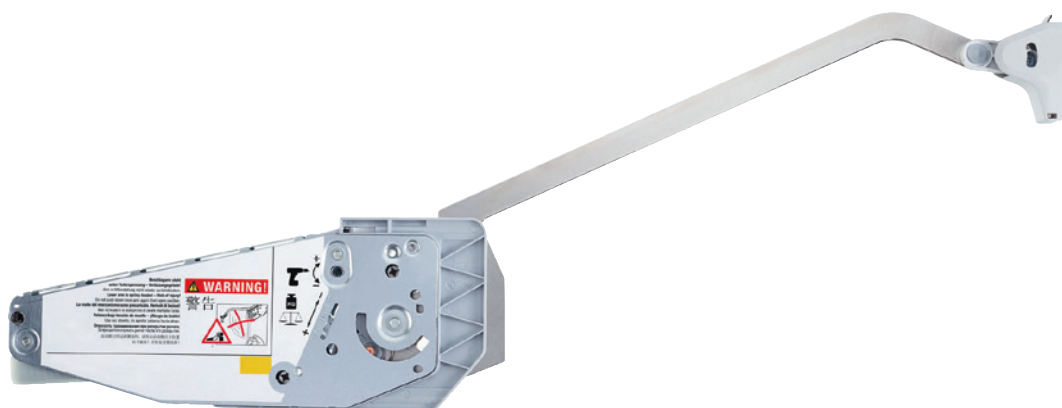
110° version with handle



110° version push to open



Set of mechanisms, arms and front fittings



code	front weight (kg)	cabinet body height (mm)
247766	2,8–5,7	450–480
247767	5,6–11,3	
247768	8,3–16,3	
247771	2,6–5,2	480–530
247772	5,2–10,6	
247773	7,8–15,1	
247775	2,4–4,9	520–590
247776	4,8–9,8	
247777	7,2–14,1	
247778	11,8–23,3	580–650
247779	2,2–4,4	
247780	4,3–8,8	
247781	6,0–12,2	650–730
247782	10,6–20,9	
247783	1,9–4,0	
247784	3,9–7,9	710–790
247785	5,8–11,6	
247786	9,5–18,7	
247787	3,5–7,2	710–790
247788	5,2–10,3	
247789	8,7–17,2	

code	front weight (kg)	cabinet body height (mm)
247790	3,2–6,7	770–840
247791	4,9–9,8	
247792	8,0–15,5	
410535	12,5–20,9*	840–910
247793	4,5–9,0	
247794	7,3–14,6	
410536	10,0–20,0*	910–970
247795	4,2–8,0	
247796	6,8–13,5	
410537	9,5–17,9*	960–1 010
247797	3,9–7,6	
247798	6,8–12,8	
410538	8,6–17,3*	1 000–1 040
247799	3,7–7,3	
247800	6,2–12,3	
410539	8,1–16,0*	

• *cannot be used in combination with eTouch set

Set contains:

- L+R lift with arms
- 2× front fitting
- paper jig

Cover caps



classic	eTouch	colour
247802	410549	grey
247801	410547	white
410543	494796	anthracite

Clip-on cup full overlay hinge



code	description
245723	screw

Mounting plate for top hinge



code	description
128312	screw

Centre hinge with mounting plate



code	description
247804	euro
247805	screw

Optional

eTouch set



code	description
410545	set including switches

Package contents:

- eTouch motor with 24V LED strip connection
- 2 remote controls
- drilling jig for controls
- transformer with eTouch connector
- fasteners

Opening angle stop



code	description
410544	90°

EU power cable



code	description
410546	EU cable

Drilling jig



code
410550



Assembly video



Order form

Set of mechanism, arms and front fittings



code	front weight including handle in kg	cabinet body height in mm	minimum internal height in cabinet body in mm
247825	3,0–5,7	320–360	≥280
247826	4,8–9,3		
247827	8,7–16,5		
247828	2,4–4,8	345–420	≥308
247829	4,1–8,0		
247831	7,4–14,0		
247832	11,0–19,6		
247833	2,0–3,8	380–500	≥343
247834	3,4–6,7		
247835	6,3–11,8		
247836	9,3–17,4		
247837	1,6–3,3		
247838	2,6–5,5	430–600	≥388
247839	5,0–9,7		
247840	7,4–14,6		

Set contains:

- L+R lift with arms
- 2× connector for bar
- 2× front fitting

Cover caps



classic	eTouch	colour
247842	410712	grey
247841	410711	white
410710	494800	anthracite

Synchronisation bar



code	cabinet body width in mm
247818	500
247821	900
247824	1600

Arms for eTouch



code	cabinet body height in mm
410714	320–360
410713	345–450
410715	380–500
410716	430–600

Optional

eTouch set



code	description
410545	set including switches

Package contents:

- eTouch motor with 24V LED strip connection
- 2 remote controls
- drilling jig for switches
- transformer with eTouch connector
- fasteners

Front fittings



code	description
247764	for narrow aluminium

EU power cable



code	description
410546	eTouch

Drilling jig



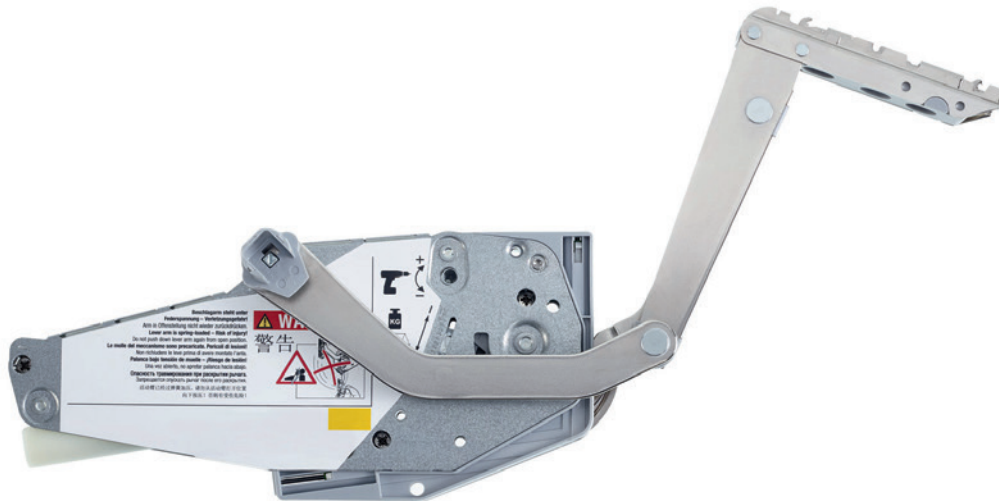
code
410717





Assembly video

FREEswing set with arms



code	front weight including handle in kg	cabinet body height in mm	code	front weight including handle in kg	cabinet body height in mm
247806	1,8–4,0	370	247807	2,5–5,3	600
247809	3,4–6,5		247810	4,7–9,3	
247812	5,2–10,3		247813	7,5–14,5	
247806	1,8–3,9	400	247807	2,5–4,8	670
247809	3,3–6,3		247810	4,5–8,8	
247812	5,0–10,0		247813	7,0–13,5	
247806	1,8–3,7	450	247808	3,2–6,5	670
247809	3,2–6,1		247811	5,7–11,3	
247812	4,8–9,4		247814	8,5–17,1	
247806	1,9–3,5	500	247808	3,1–6,3	700
247809	3,0–5,8		247811	5,6–11,1	
247812	4,5–8,9		247814	8,4–16,7	
247807	2,5–5,9	500	247808	3,0–6,0	750
247810	5,0–10,0		247811	5,4–10,7	
247813	8,2–15,9		247814	8,2–16,0	
247807	2,5–5,6	550	247808	2,9–5,7	800
247810	4,8–9,6		247811	5,3–10,3	
247813	7,8–15,2		247814	8,0–15,3	

Set contains:

- L+R lift with arms
- 2× connector for bar
- 2× front fitting
- paper jig

Cover caps



classic	eTouch	colour
247816	410708	grey
247815	410709	white
410705	494797	anthracite

Synchronisation bar



code	cabinet body width in mm
247818	500
247821	900
247824	1600

Optional

eTouch set

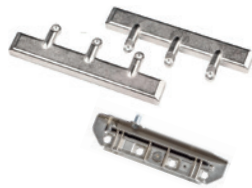


code	description
410545	set including switches

Package contents:

- eTouch motor with 24V LED strip connection
- 2 remote controls
- drilling jig for switches
- transformer with eTouch connector
- fasteners

Front fittings



code	description
247764	for narrow aluminium

EU power cable



code	description
410546	eTouch

Drilling jig



code
410718

Arm for eTouch



code	cabinet body height in mm
410706	370 – 800



Assembly video

Maxi stay lift

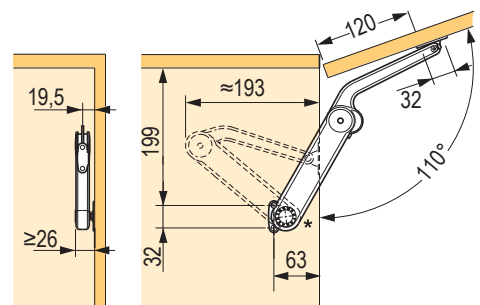
code	description
135042	type "C", strong
135043	type "D", the strongest

- door with height 300 to 1000 mm or weight 2 to 27 kg (depending on the type of lift and opening angle)
 - the possibility of controlling the lift force
 - opening angle 75, 90 and 110°
 - for push to open version, we recommend using hinges without spring
- ☑ for the handle version, we recommend using hinges with soft closing, e.g. on p. 01.11
 - ☑ for handleless opening, we recommend the K-push system, p. 01.21 (extra strong with magnet)

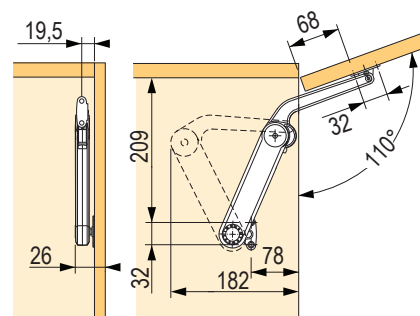


door height (mm)	type of the lift	110° with handle	110° push to open, automatic
		weight (kg)	weight (kg)
300	C	5,4 – 10,0	3,5 – 6,1
	D	-	5,1 – 7,8
400	C	4,2 – 8,1	2,7 – 4,6
	D	4,8 – 9,0	3,4 – 5,0
500	C	3,2 – 6,3	2,3 – 3,7
	D	2,8 – 7,5	3,0 – 4,9
600	C	2,7 – 6,0	1,8 – 3,1
	D	3,5 – 6,8	2,5 – 4,2
700	C	2,5 – 4,5	1,6 – 2,7
	D	3,0 – 5,2	2,2 – 3,5
800	C	2,2 – 3,6	-
	D	2,6 – 4,7	1,8 – 3,1
900	C	-	-
	D	2,3 – 4,3	1,4 – 2,9
1000	C	-	-
	D	2,0 – 4,0	1,2 – 2,6

110° version with handle



110° version push to open



Clips



code	description
135044	on cabinet body



code	description
135045	full door

Maxi Up lift-up

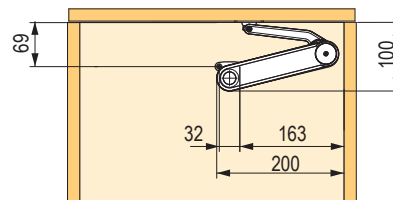
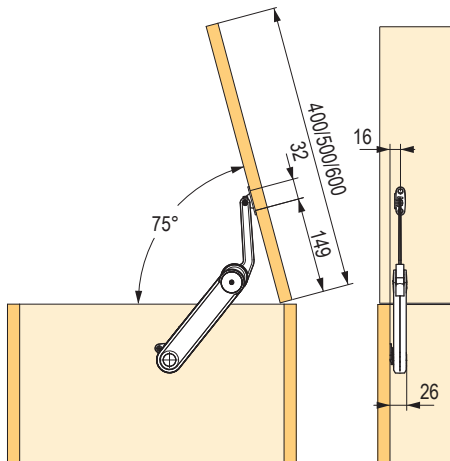
code	description
395719	force "H", the strongest

- for doors with height 400 to 600 mm or weight 4 to 18.8 kg (depending on the door height and the set lift force)
 - the possibility of controlling the lift force
 - 75° opening angle
- we recommend to use hinges, e.g. see p. 01.11



door height (mm)		
	door weight (kg)	door weight (kg)
400	5,2 – 9,4	10,4 – 18,8
500	4,3 – 7,5	8,6 – 15,0
600	4,0 – 6,7	8,0 – 13,4

Dimensional diagram



Clips



code	description
135044	on cabinet body



code	description
135045	full door

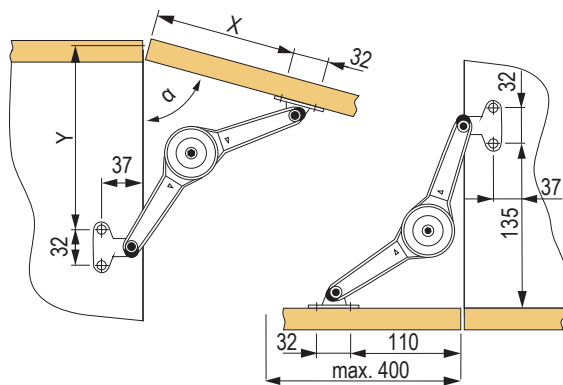
FREElift family – DUO and DUO Forte

code	angle
135017	75, 90, 110°

- mechanism for cabinets with top and bottom lifting (by turning the legs)
- maximum door height 500 mm or weight 6 kg
- minimum inner cabinet body clearance 135 mm
- 75, 90 and 110° opening angle
- smooth strength control by a cam
- lift must be tightened after approximately 200 cycles
- magnet must be used for the bottom lift



Dimensional diagram



Assembly dimensions DUO

α opening angle	X (mm)	Y (mm)
75°	132	160
90°	90	160
110°	92	128

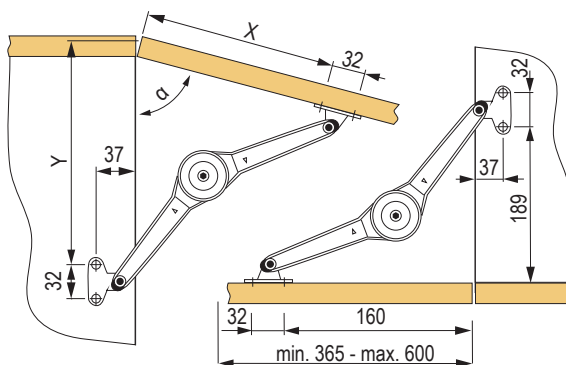
can be combined with both soft-closing and non-damped hinges, e.g. on pp. 01.39 – 01.49

code	angle
135018	75, 90, 110°

- mechanism for cabinets with top and bottom lifting (by turning the legs)
- maximum door height 720 mm or weight 6 kg
- minimum inner cabinet body clearance 172 mm
- 75, 90 and 110° opening angle
- smooth strength control by a cam
- lift must be tightened after approximately 200 cycles
- magnet must be used for the bottom lift



Dimensional diagram



Mounting dimensions DUO FORTE

α opening angle	X (mm)	Y (mm)
75°	196	224
90°	166	192
110°	138	167

can be combined with both soft-closing and non-damped hinges, e.g. on pp. 01.39 – 01.49

Clips



code	description
135019	on cabinet body



code	description
135045	euro screw
135021	screw



code	description
135024	Aluminium frame



**Aventos
HKi**

02.27



**Aventos
HF top**

02.29



**Aventos
HL top**

02.31



**Aventos
HS top**

02.32



**Aventos
HK top**

02.33



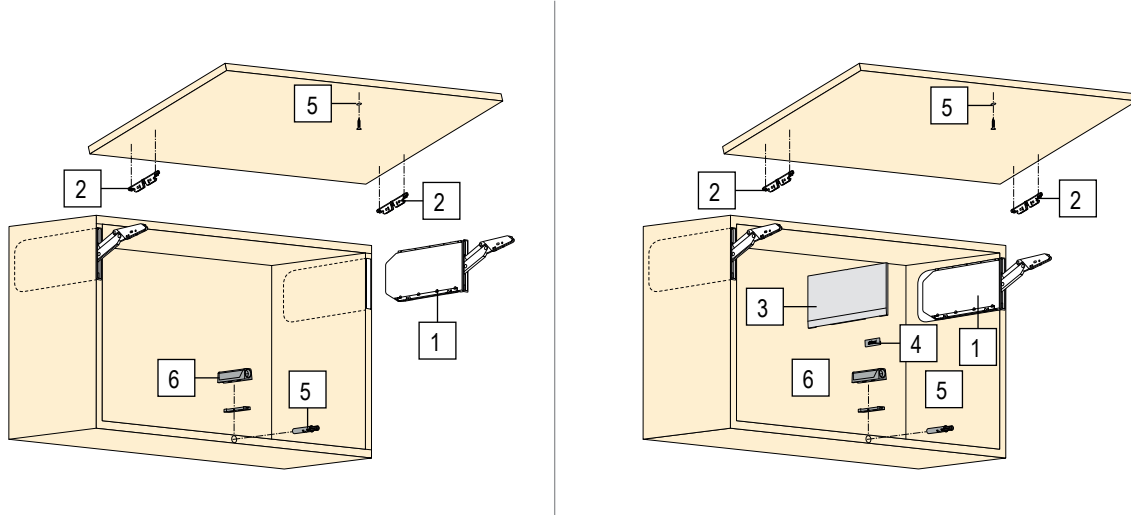
**Aventos
HK-S**

02.35

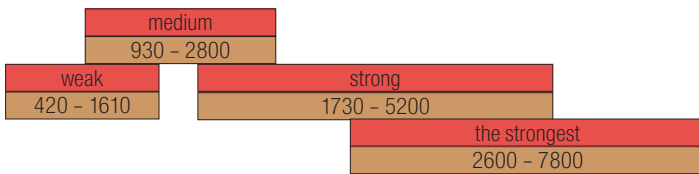


**Aventos
HK-XS**

02.37



Power factor (LF) = cabinet body height (KH) [mm] × combined weight of both fronts and two times handles [kg]



lifter
value LF

Power factor LF →

- Cabinet body height 162-600 mm.
- Cabinet body width: up to 1 800 mm.
- All visible parts in ONYX black.
- Thickness of the side walls of the cabinet body 16-25 mm.
- Aluminium frames and wooden fronts are available in all standard dimensions thanks to 4 different types and forces of lifters (max. 18 kg with a height of 430 mm).

Mechanism with Blumotion			
1	497327	24K2300	weak
	497328	24K2500	medium
	497329	24K2700	strong
	497330	24K2800	the strongest

Symmetrical front fittings			
2	497336	24K42E1	EXPANDO
	497337	24K4201A	narrow and wide aluminium frames

Cover caps set – only for partially integrated assembly			
3	497339	24K8000	white
	497340	24K8000	grey
	497341	24K8000	dark grey

• The cover caps include a stainless steel element with the BLUM logo.

Element with logo			
4	481612	ABD.1000.BT	cover cap with embossed BLUM logo – white SW-M
	487887	ABD.1000	cover cap without logo for printing – white SW-M

Mechanism – TIP-ON			
1	497331	24K2300T	weak
	497332	24K2500T	medium
	497333	24K2700T	strong
	497334	24K2800T	the strongest

Tip-on Set – short version			
5	250826	956.1004	white
	250827	956.1004	grey
	497006	956.1004	carbon black

TIP-ON adapter for screw-on			
6	250838	956.1201	50 mm, white
	497009	956.1201	50 mm, carbon black
	250839	956.1201	50 mm, grey
	347704	956.1201	50 mm, nickel



More time for your projects

www.demos24plus.com



Don't have access yet?
Request it now:

+420 596 223 470

thanks to the Démos24plus portal



**Order
anytime, anywhere
and save time and money
thanks to our handy features:**

- ✓ intelligent search with auto-suggest
- ✓ instant stock availability overview
- ✓ custom order and project budgeting
- ✓ related products and alternatives
- ✓ easy material cutting input and calculation
- ✓ multiple baskets for multiple orders in a single delivery
- ✓ stock watchdog keeps an eye on inventory for you

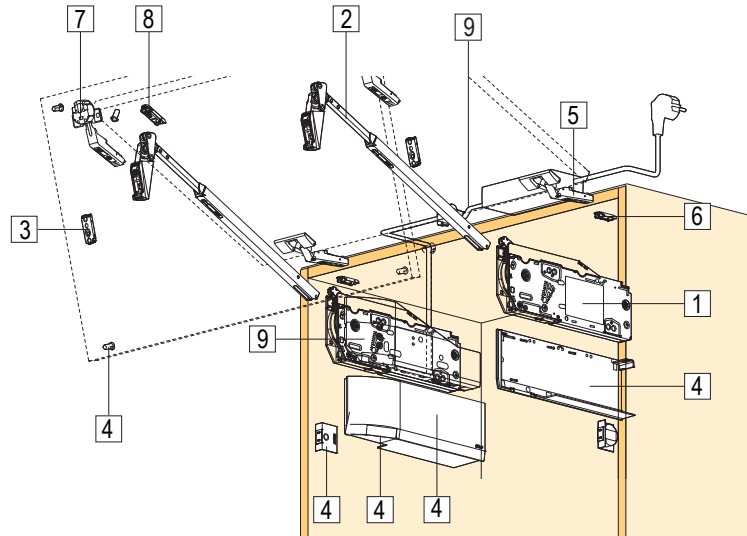
Dēmos 

www.demos24plus.com

Dēmos trade, a.s., Škrobálkova 630/13, 718 00 Ostrava-Kunčičky
Customer service: T +420 596 223 470 E objednavky@demos-trade.com

Aventos HF top

- Ideal for top cabinets with split fronts.
- Cabinet body height: 480–1 200 mm.
- Cabinet body width: up to 1 800 mm.
- Minimum internal depth: 264 mm.
- Integrated BLUMOTION setting for soft and silent closing.
- Front movement with light forces.
- Smooth stop.
- Integrated opening angle stop.
- The position of the lifting mechanism and front attachment is fixed.
- Symmetrical arms.
- Installation without tools.
- Two types of lifting mechanism installation.
- 3-D adjustment of both fronts.
- Centre hinges including finger safety lock.
- Power factor (LF) = *cabinet body height (KH in mm) x weight of the front including handle (in kg).
- * For asymmetrical fronts, use the theoretical cabinet height (TKH).



Set for screw fixing with precise positioning

	code	Blum code	description	power factor LF
1	507333	22F2500	weak	2 700 - 13 500
	507336	22F2800	strong	10 000 - 19 300

Telescopes

	code	Blum code	for cabinet body height (mm)
2	507340	22F3200	480 - 610
	507341	22F3500	600 - 910
	507342	22F3900	840 - 1 200

Hinges

	code	Blum code	description
5	12023	70T5550.TL	full overlay, without spring, 120°, for screw fixing
	12028	70T558E.TL	full overlay, Tip-On, 120°, EXPANDO
	13764	72T550A.TL	full overlay for aluminium frames, 120°

Set with pre-assembled screws with precise position setting

	code	Blum code	description	power factor LF
1	507335	22F2510	weak	2 700 - 13 500
	507337	22F2810	strong	10 000 - 19 300

Cover caps for standard lift

	code	Blum code	description
4	507343	22.8000	white
	507344	22.8000	grey
	507345	22.8000	dark grey

Cover caps for SERVO-DRIVE

	code	Blum code	description
4	507346	23.8000	white
	507347	23.8000	grey
	507348	23.8000	dark grey

Central hinges, safety

	code	Blum code	description
7	12024	78Z5500T	full overlay, without spring, 120°, for screw fixing
	12027	78Z553ET	full overlay, Tip-On, 120°, EXPANDO
	13765	78Z550AT	full overlay for aluminium frames, 120°

SERVO-DRIVE

	code	Blum code	description
9	507349	23.A000	SERVO-DRIVE set for Aventos top

Mounting plates for hinge

	code	Blum code	description
3/ 6/ 8	12323	175H5400	basic plate, horizontal, zinc, height 8.5 mm, screw
	12326	177H5400E	basic plate, horizontal, zinc, height 8.5 mm, EXPANDO
	203387	175H3100	basic plate, horizontal, steel, screw

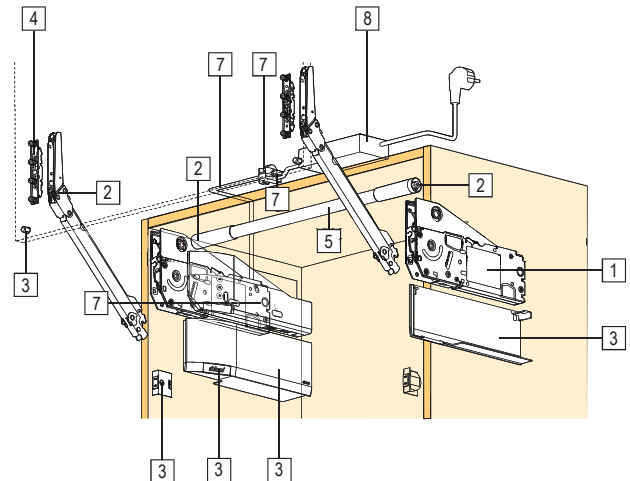
Adapters for aluminium frame base mounting plate, horizontal, steel, screw

	code	Blum code	description
3/ 8	13766	175H5B00	adapter for attachment of telescopic arms into an aluminium frame, left
	13767	175H5B00	adapter for attachment of telescopic arms into an aluminium frame, right
	13768	175H5A00	adapter for attachment of a central hinge into an aluminium frame



Aventos HL top

- Ideal for small, one-piece fronts
- Cabinet body height: 300–580 mm.
- Cabinet body width: up to 1 800 mm.
- Minimum internal depth: 264 mm.
- Integrated BLUMOTION setting for soft and silent closing
- Front movement with light forces.
- Smooth stop.
- The position of the lifting mechanism and front attachment is fixed.
- Symmetrical arms.
- Installation without tools.
- Two types of lifting mechanism installation.
- 3-D front adjustment.



Set for screw fixing with precise positioning

	code	Blum code	description	cabinet body height KH (mm)
1	507351	22L2200	weak	300-389
	507352	22L2500	strong	390-580

Set with pre-mounted positioning Euro screws

	code	Blum code	description	cabinet body height KH (mm)
1	507353	22L2210	weak	300-389
	507354	22L2510	strong	390-580

Arms

	code	Blum code	cabinet body height KH (mm)	front weight FG (kg)
2	507355	22L3200	300–339	1.50–9.00
	507356	22L3500	340–389	1.75–10.00
	507357	22L3800	390–540	2.00–12.25
	507358	22L3900	480–580	2.50–14.00

Cover caps for standard lift

	code	Blum code	description
3	507343	22.8000	white
	507344	22.8000	grey
	507345	22.8000	dark grey

Cross stabilisation

	code	Blum code	description
5/6	507365	22Q1076U	cross stabilisation bar, 1076 mm, for shortening
	507366	22Q080Z	extension piece

Cover caps for SERVO-DRIVE

	code	Blum code	description
3	507346	23.8000	white
	507347	23.8000	grey
	507348	23.8000	dark grey

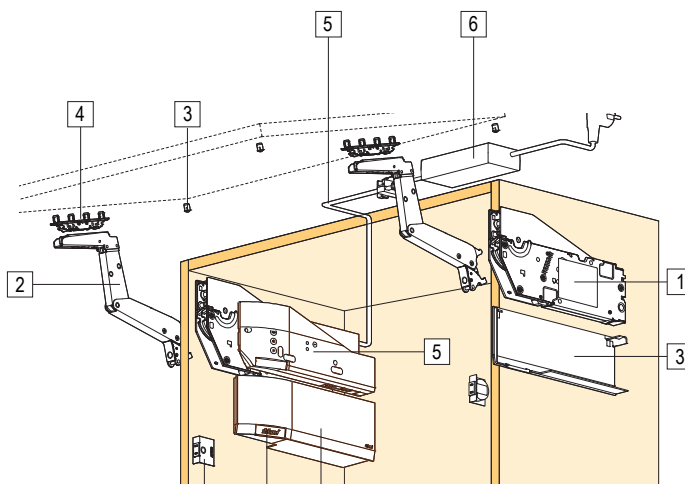
Front fittings

	code	Blum code	description
4	13781	20S4200	for screw fixing
	13782	20S4200A	for aluminium frame for milling-in

SERVO-DRIVE

	code	Blum code	description
7	507349	23.A000	SERVO-DRIVE set for Aventos top

- Ideal for large one-piece fronts.
- Cabinet body height: 350–800 mm.
- Cabinet body width: up to 1 800 mm.
- Minimum internal depth: 264 mm.
- Integrated BLUMOTION setting for soft and silent closing.
- Front movement with light forces.
- Smooth stop.
- The position of the lifting mechanism and front attachment is fixed.
- Symmetrical arms.
- Installation without tools.
- Two types of lifting mechanism installation.
- 3-D front adjustment



Set for screw fixing with precise positioning

	code	Blum code	description	cabinet body height KH (mm)	front weight FG (kg)
1	507368	22S2200	weak	350–450	2.00–11.50
				450–540	2.50–12.50
	507370	22S2500	medium	480–660	2.75–15.25
	507371	22S2800	strong	650–800	3.50–18.50

Set with pre-mounted positioning Euro screws

	code	Blum code	description	cabinet body height KH (mm)	front weight FG (kg)
1	507372	22S2210	weak	350–450	2.00–11.50
				450–540	2.50–12.50
	507374	22S2510	medium	480–660	2.75–15.25
	507375	22S2810	strong	650–800	3.50–18.50

Arms

	code	Blum code	description
2	507376	22S3500	symmetrical set of arms

Cover caps for standard lift

	code	Blum code	description
3	507343	22.8000	white
	507344	22.8000	grey
	507345	22.8000	dark grey

Front fittings

	code	Blum code	description
4	13781	20S4200	for screw fixing
	13782	20S4200A	for aluminium frame for milling-in

Cover caps for SERVO-DRIVE

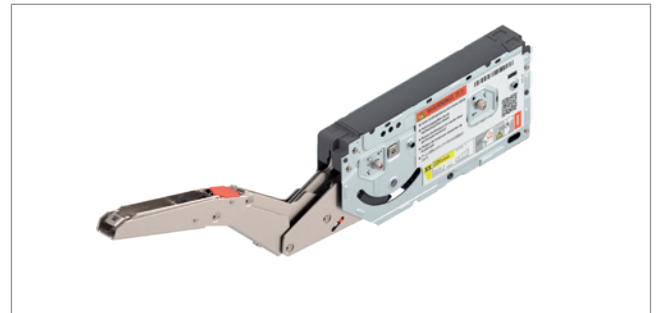
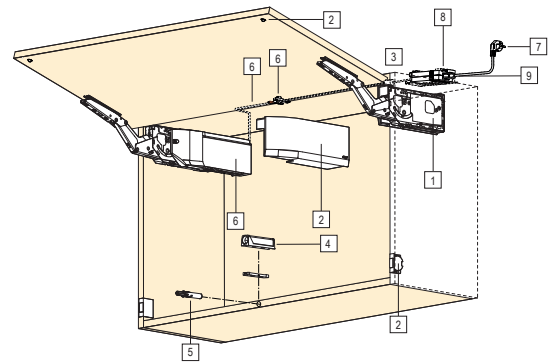
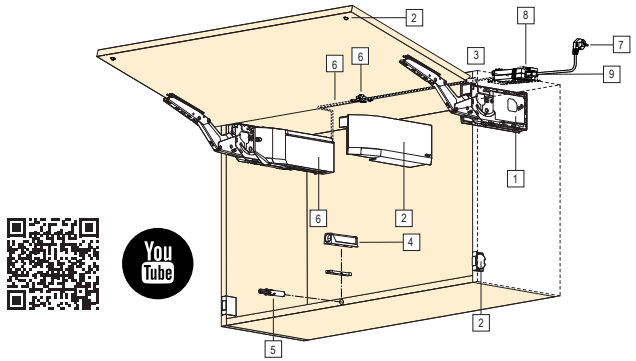
	code	Blum code	description
3	507346	23.8000	white
	507347	23.8000	grey
	507348	23.8000	dark grey

SERVO-DRIVE

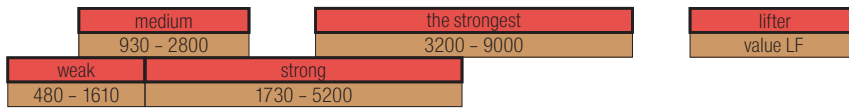
	code	Blum code	description
5	507349	23.A000	SERVO-DRIVE set for Aventos top



AVENTOS HK top



Power factor (LF) = cabinet body height (KH) [mm] × combined weight of both fronts and two times handles [kg]



AVENTOS HK mechanism – standard / SERVO-DRIVE

set for screw fixing with precise positioning		set with pre-mounted euro screws		description	A	B
1	347810	22K2300	378189	22K2310	weak	✓ ✓
	347811	22K2500	378190	22K2510	medium	✓ ✓
	347812	22K2700	378191	22K2710	strong	✓ ✓
	347813	22K2900	378193	22K2910	the strongest	✓ ✓

Cover caps for standard lift / TIP-ON

	code	Blum code	description	A	B
2	347834	22K8000	white	✓	
	347833	22K8000	grey	✓	
	347835	22K8000	dark grey	✓	

AVENTOS HK top TIP-ON mechanism

set for screw fixing with precise positioning		set with pre-mounted euro screws		description	A	B
1	347814	22K2300T	378200	22K2310T	weak	
	347826	22K2500T	378202	22K2510T	medium	
	347827	22K2700T	378203	22K2710T	strong	
	347828	22K2900T	378204	22K2910T	the strongest	

Cover caps for SERVO-DRIVE

	code	Blum code	description	A	B
2	347837	23K8000	white		✓
	347836	23K8000	grey		✓
	347838	23K8000	dark grey		✓

Front fittings

	code	Blum code	description	A	B
3	13781	20S4200	for AVENTOS HK top, screw	✓	✓
	23789	20S42E1	for AVENTOS HK top, EXPANDO	✓	✓
	13782	20S4200A	aluminium frames for AVENTOS HK top, for milling-in	✓	✓
	347993	20S42T1	front fittings EXPANDO T	✓	✓

TIP-ON Push to open pistons

	code	Blum code	description
4	250826	956.1004	50 mm, white
	250827	956.1004	50 mm, grey
	497006	956.1004	50 mm, carbon black
	250831	956A1004	76 mm, white
	250833	956A1004	76 mm, grey
	497007	956A1004	76 mm, carbon black

TIP-ON inline adapter

	code	Blum code	description
5	250838	956.1201	50 mm, white
	250839	956.1201	50 mm, grey
	497009	956.1201	50 mm, carbon black
	250841	956A1201	76 mm, white
	250842	956A1201	76 mm, grey
	497010	956A1201	76 mm, carbon black

SERVO-DRIVE

	code	Blum code	description	A	B
6	347839	23KA000	SERVO-DRIVE set for AVENTOS HK top, cable 1500 mm, coupling, cable end piece		✓

Supply cable

	code	Blum code	description	A	B
7	99108	Z10M200E	power supply cable, 2 m		✓

Transformer

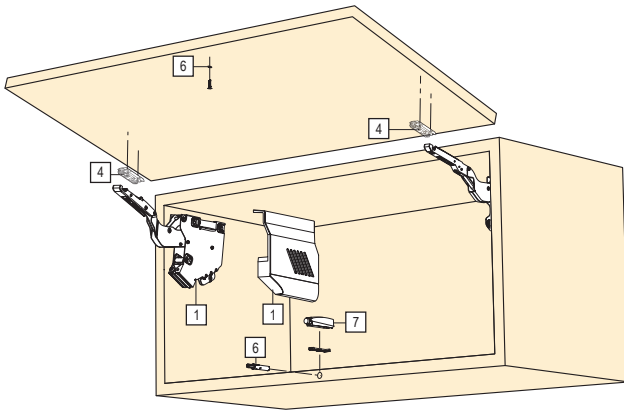
	code	Blum code	description	A	B
8	523392	Z10NE04EE	transformer 72 W		✓

Transformer holder

	code	Blum code	description	A	B
9	131344	Z10NG120	rear-mount		✓

- A - for standard lift
- B - for SERVO-DRIVE

AVENTOS HK-S



AVENTOS HK-S¹⁾ mechanism

	code	Blum code	description
1	231752	20K2B00	weak, white cover cap
	231749	20K2B00	weak, grey cover cap
	346195	20K2B00	weak, dark grey cover cap
	231753	20K2C00	medium, white cover cap
	231750	20K2C00	medium, grey cover cap
	346199	20K2C00	medium, dark grey cover cap
	231754	20K2E00.02	strong, white cover cap
	231751	20K2E00	strong, grey cover cap
	346212	20K2E00	strong, dark grey cover cap

¹⁾ the complete set includes: 2× symmetrical lifter, 2× arm cap cover left/right

AVENTOS HK-S, TIP-ON²⁾ mechanism

	code	Blum code	description
1	231760	20K2B00T	weak, white cover cap
	231757	20K2B00T	weak, grey cover cap
	346216	20K2B00T	weak, dark grey cover cap
	231761	20K2C00T	medium, white cover cap
	231758	20K2C00T	medium, grey cover cap
	346226	20K2C00T	medium, dark grey cover cap
	231762	20K2E00T	strong, white cover cap
	231759	20K2E00T	strong, grey cover cap
	346228	20K2E00T	strong, dark grey cover cap

²⁾ the complete set includes: 2× symmetrical lifter, 2× arm cover cap left/right, 1× TIP-ON 50 mm, 1× straight adapter for TIP-ON

Front fittings

	code	Blum code	description
4	203387	175H3100	horizontal, 8,5 mm steel, screw ³⁾
	211476	177H3100E	horizontal, 8,5 mm steel, EXPANDO ³⁾
	P13907	20K4A01A	front clip, aluminium, left
	P13908	20K4A01A	front clip, aluminium, right
	277796	175H3G00A	front fittings for aluminium frames for screw-on ⁴⁾

³⁾ 2 pcs must be ordered

⁴⁾ cannot be used for TIP-ON

- ideal for small heights of top cabinets
- cabinet body height: inner min. 150 mm, outer max. 400 mm
- minimum cabinet body depth 240 mm
- **the weakest version has springs and the soft closing mechanism only on one lift**
- closes softly and quietly thanks to BLUMOTION
- requires only minimum force to operate
- balanced ease of motion with a smooth stop
- simple assembly without tools
- adjustment of front in 3 directions
- simple and smooth adjustment of the lift mechanisms
- requires no hinges – for the simplest and most precise ordering, you can use the AVENTplan programme
- AVENTplan – available for download at www.demos-trade.com

TIP-ON Push to open pistons

	code	Blum code	description
6	250826	956.1004	50 mm, white
	250827	956.1004	50 mm, grey
	497006	956.1004	50 mm, carbon black
	250831	956A1004	76 mm, white
	250833	956A1004	76 mm, grey
	497007	956A1004	76 mm, carbon black

TIP-ON inline adapter

	code	Blum code	description
6	250838	956.1201	50 mm, white
	250839	956.1201	50 mm, grey
	497009	956.1201	50 mm, carbon black
	250841	956A1201	76 mm, white
	250842	956A1201	76 mm, grey
	497010	956A1201	76 mm, carbon black

Opening angle stop

	code	Blum code	description
P	13905	20K7A41	100°
	13906	20K7A11	75°

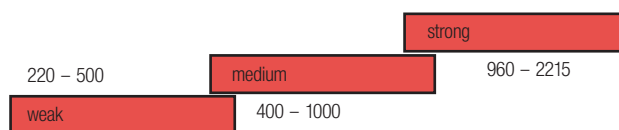
AVENTOS HK-S industry

code	Blum code	description
P13900	20K2A01.XX	unsprung mechanism
P13901	20K2C01.XX	medium mechanism
P13902	20K2E01.XX	strong mechanism
211370	20K2C01T	TIP-ON medium mechanism
211371	20K2E01T	TIP-ON strong mechanism
392600	20K8A21.21	white cover cap, left
392601	20K8A21.21	white cover cap, right
392597	20K8A21.21	grey cover cap, left
392598	20K8A21.21	grey cover cap, right
392602	20K8A21.21	dark grey cover cap, left
392603	20K8A21.21	dark grey cover cap, right
228929	—	screw 4 × 35 mm

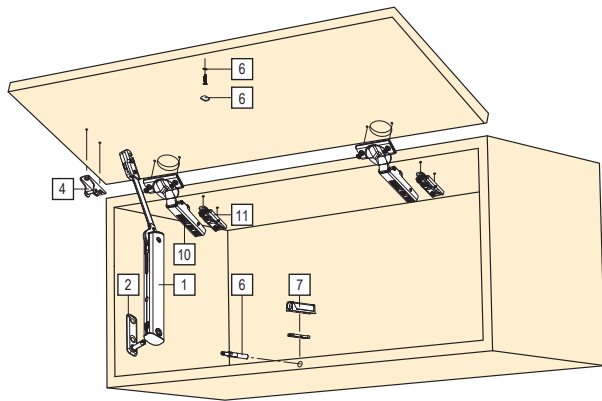
Combination options

type of lifter	power factor
2× 20K2A01	not possible
1× 20K2A01 + 1× 20K2C01	220 – 500
2× 20K2C01	400 – 1000
2× 20K2E01	960 – 2215

• Power factor = cabinet body height (mm) × combined weight of both fronts and two times handles (kg).

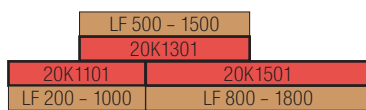


AVENTOS HK-XS



- ideal for high cabinets and top cabinets
- cabinet body height 240–600 mm
- minimum internal depth 125 mm
- symmetrical lift mechanism can be used on one or both sides
- lift fittings, designed for small lifts in high cabinets and top cabinets
- in combination with CLIP top BLUMOTION hinges, the lifts close softly and silently
- the variable stop ensures that the lift remains in the desired position and you can reach it comfortably whenever you want
- smaller cabinet fronts need only one lift; the larger can be supplemented by two

□ Standard



Unidirectional lifting mechanism → Power factor LF

AVENTOS HK-XS mechanism

	code	Blum code	description
1	247121	20K1101	weak
	247122	20K1301	medium
	247123	20K1501	strong

AVENTOS HK-XS mechanism for TIP-ON

	code	Blum code	description
1	247124	20K1101T	weak
	247125	20K1301T	medium
	247126	20K1501T	strong

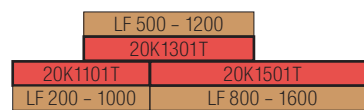
Clip to the cabinet body

	code	Blum code	description
2	247127	20K5101	side pin for the cabinet body, screw
	247128	20K51E1	side pin for the cabinet body, EXPANDO



- low installation depth (125 mm) is its biggest advantage, can be used for narrow lifts above extractor or in bathrooms
- fast and easy installation is an indisputable advantage
- the correct strength of the lift is easy to set on the front side of the lift
- TIP-ON version is combined with TIP-ON springless hinges and TIP-ON pistons (p. 01.42)
- for this version, one touch on the front is all that is needed to open the lift system wide enough upwards
- you can easily adjust the gap of the closed front by turning the ejector

■ TIP-ON



Unidirectional lifting mechanism → Power factor LF

Front fittings

	code	Blum code	description
4	247129	20K4101	screw
	247130	20K41E1	EXPANDO
	247131	20K4101A	aluminium frame
	P	347999	70T4532T

Hinges

	code	Blum code	description
10	12047	71B3550	with integrated soft closing, screw, 110°
	226668	70T3550.TL	full overlay, without spring, screw, 110° ⁽¹⁾

Mounting plate

	code	Blum code	description
11	203387	175H3100	mounting plate straight, screw 8.5 mm, steel

TIP-ON Push to open pistons

	code	Blum code	description
6	250826	956.1004	50 mm, white
	250827	956.1004	50 mm, grey
	497006	956.1004	50 mm, carbon black
	250831	956A1004	76 mm, white
	250833	956A1004	76 mm, grey
	497007	956A1004	76 mm, carbon black

TIP-ON adapters

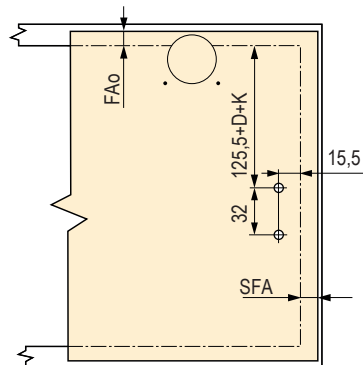
	code	Blum code	description
6	250838	956.1201	50 mm, white
	250839	956.1201	50 mm, grey
	497009	956.1201	50 mm, carbon black
	250841	956A1201	76 mm, white
	250842	956A1201	76 mm, grey
	497010	956A1201	76 mm, carbon black

Do you know that with the AVENTPlan form, you can easily and quickly order all the fittings needed for AVENTOS lift fittings?

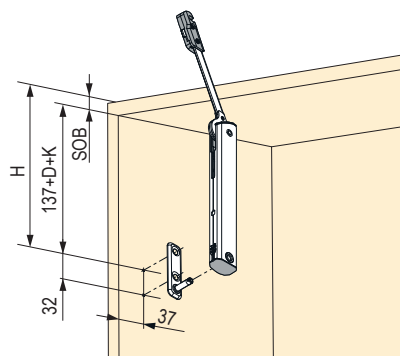
You can find them at www.demos-trade.com

⁽¹⁾ Power factor LF = cabinet body height (mm) × body weight, including doubled handle weight (kg).

Wooden fronts and wide aluminium frames



Dimensional diagrams



Position on the cabinet body for the lifter

- $H = 137 + D + K + SOB$
- D - raising of mounting plates
- K - cranking of hinge arm
full overlay hinge = 0 mm
half overlay hinge = 9.5 mm
inset hinge = 18 mm
- SOB - cabinet body top thickness

Symmetrical lifting mechanism standard

Power factor

- 200-1 000 weak
- 500-1500 medium
- 800-1800 strong
- 105° opening angle



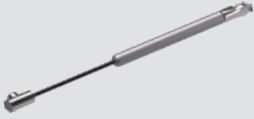


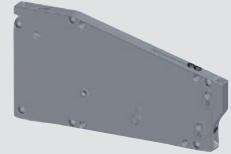

Symmetrical lifting mechanism TIP-ON

Power factor

- 180-800 weak
- 500-1 200 medium
- 800-1 600 strong
- 105° opening angle



contents

	<p>K12 gas and oil struts top lift-up</p>	<p>02.41</p>
	<p>gas and oil pistons bottom lift-up K12</p>	<p>02.44</p>
	<p>gas- and oil pistons bottom lift-up Kraby</p>	<p>02.47</p>
	<p>Kiaro S and Kiaro</p>	<p>02.49</p>
	<p>Kiaro Easy</p>	<p>02.50</p>

gas and oil automatic – K12

length: 244 mm

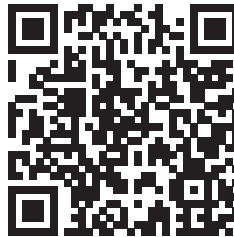
244 mm

code	description
282471	50 N
282472	80 N
282473	100 N
282474	120 N

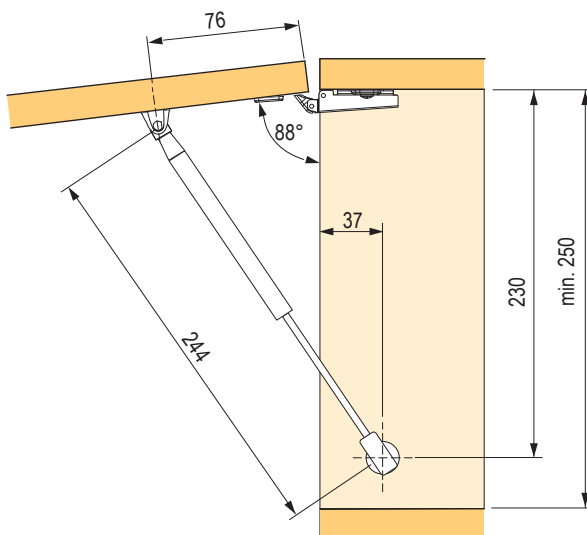


- for door height 300–500 mm and weight 1–9 kg (depending on the height of the door)
 - minimalist design, piston diameter only 12 mm
 - the dimensions given in the table apply to the opening version with handle
 - for handleless opening, follow the enclosed instructions or the instructions on the website
- can be combined with clips for drilling-in, see p. 02.48

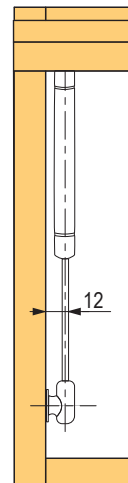
Selecting the right piston length 244 mm



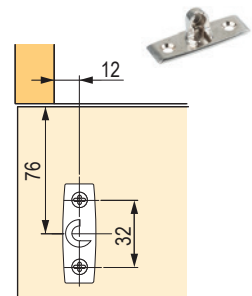
Dimensional diagram



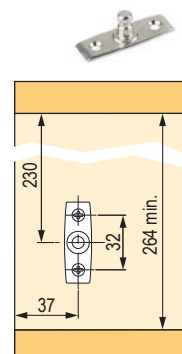
Distance to piston centre



Dimensional diagram: doors



Dimensional diagram: cabinet body



hinges on p. 01.11

gas and oil automatic – K12 length: 355 mm

355 mm

code	description
282475	60 N
282476	90 N
282477	110 N

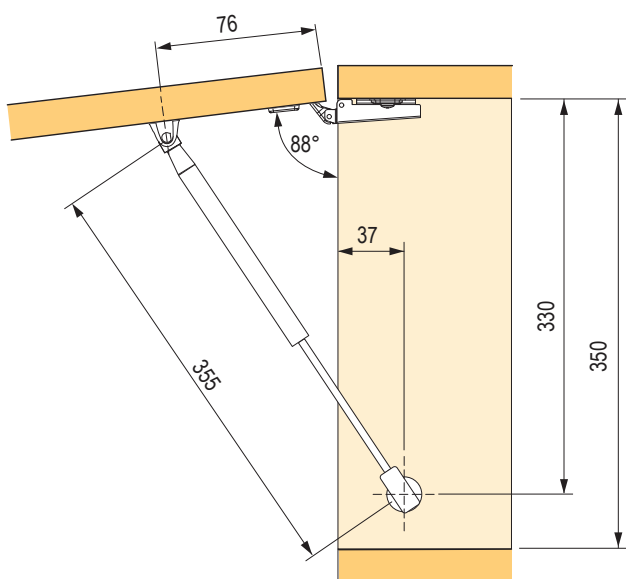
- for door height 400–600 mm and weight 1–18 kg (depending on the height of the door)
- minimalist design, piston diameter only 12 mm
- the dimensions given in the table apply to the opening version with handle
- for handleless opening, follow the enclosed instructions or the instructions on the website
- ☑ can be combined with clips for drilling-in, see p. 02.48



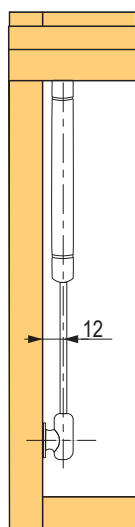
Selecting the right piston length 355 mm



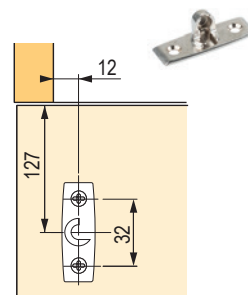
Dimensional diagram



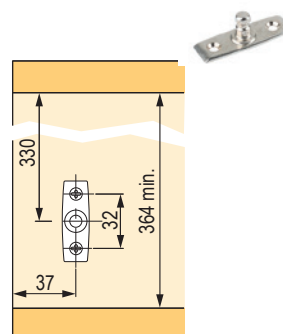
Distance to piston centre



Dimensional diagram: doors



Dimensional diagram: cabinet body



☑ hinges on p. 01.11

gas and oil bottom drop-down

Drop-down K12

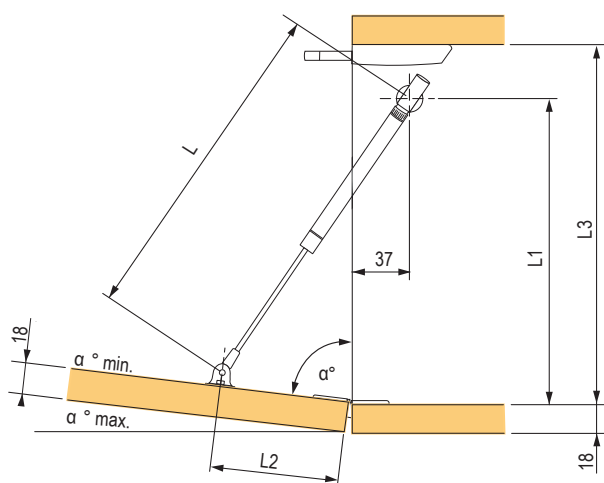
code	description
355722	164 mm
355724	244 mm
355726	355 mm

	L	L1	L2	L3
K12 164	164	158	39	180 min.
K12 244	244	230	76	250 min.
K12 355	355	330	127	350 min.

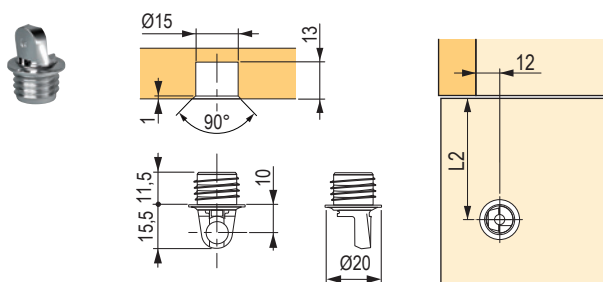
- minimalist design, piston diameter only 12 mm
- the dimensions given in the table apply to the opening version with handle and when using concealed hinge with spring
- for other versions (handleless opening, Kimana hinges) follow the enclosed instructions or the instructions on the website



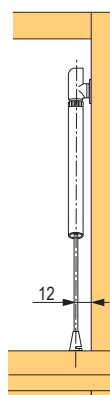
Dimensional diagram



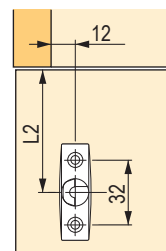
Dimensional diagram: doors



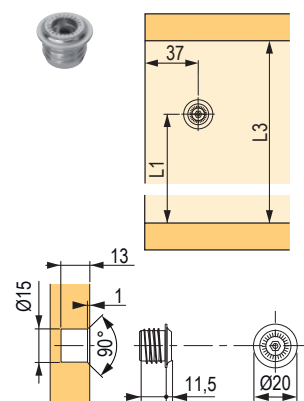
Distance to piston centre



Dimensional diagram: doors



Dimensional diagram: cabinet body



- ☑ recommended use in combination with Kimana hinges, p. 01.74
- ☑ excellent handleless opening function (in combination with the K-push system on p. 01.17)

gas and oil adjustable – Kraby length: 164 mm

164 mm

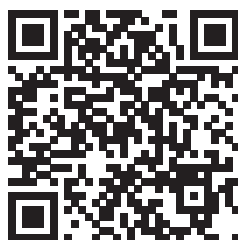
code	description
135006	45 N
135007	60 N

- remains open in various positions
- possibility to adjust the opening angle using a screw on the piston (angle 83–103°)
- minimum required inner space 193 mm
- for door dimensions 230–300 mm
- ☑ clip for narrow aluminium frame see p. 02.48

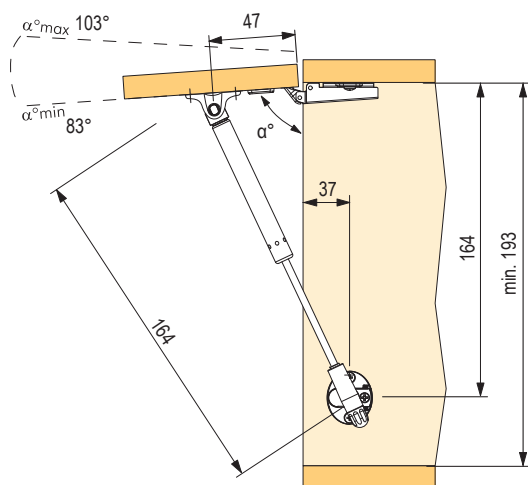


Selecting the right piston length 164 mm

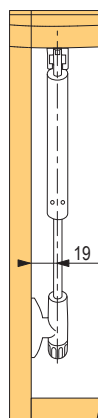
- ❗ it is necessary to follow the procedure of attaching the drop-down into the door clip as shown in the picture



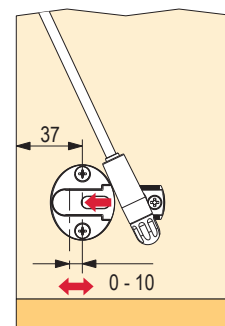
Dimensional diagram



Distance to piston centre



Dimensional diagram: cabinet body




- the dimensions given in the drawing apply to the opening version with handle
- for handleless opening, follow the enclosed instructions or the instructions on the website
- ☑ hinges on p. 01.11

Kraby adjustable lift-up


244 mm

code	description
15590	45 N
15591	60 N
15592	90 N
15593	120 N

- remains open in various positions
 - possibility to adjust the opening angle using a screw on the piston (angle 83-94°)
 - minimum required inner space 270 mm
 - for door dimensions 300-550 mm
-  clip for narrow aluminium frame see p. 02.48

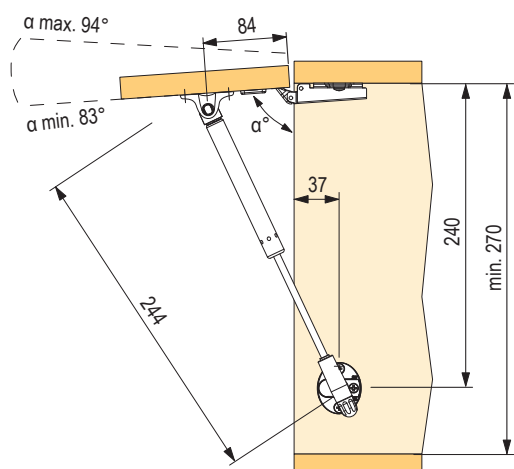


Selecting the right piston length 244 mm

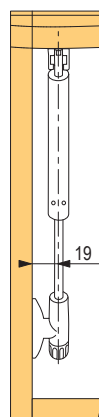
-  it is necessary to follow the procedure of attaching the drop-down into the door clip as shown in the picture



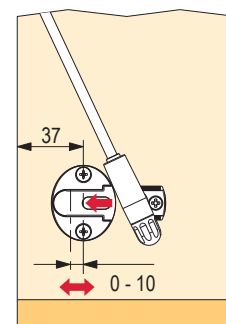
Dimensional diagram



Distance to piston centre



Dimensional diagram: cabinet body



- the dimensions given in the drawing apply to the opening version with handle
- for handleless opening, follow the enclosed instructions or the instructions on the website

 hinges on p. 01.11

gas and oil adjustable – Kraby length 355



355 mm

code	description
135008	45 N
135009	60 N
135010	90 N
135011	120 N
129029	160 N

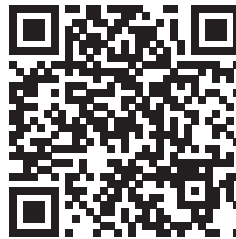


- remains open in various positions
- possibility to adjust the opening angle using a screw on the piston (angle 83–94°)
- 📌 clip for narrow aluminium frame see p. 02.48

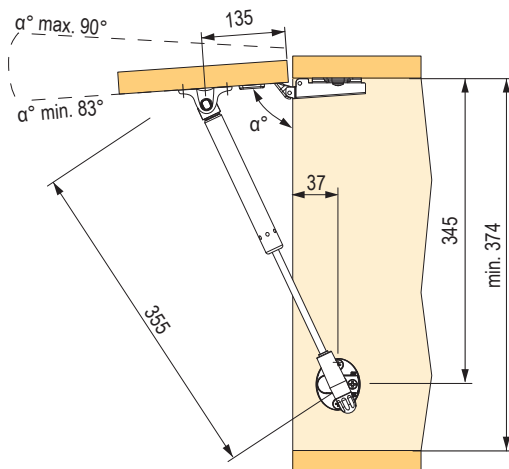
- minimum required inner space 374 mm
- for door dimensions 400–700 mm

Selecting the right piston length 355 mm

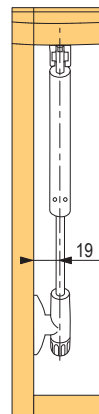
- ⓘ it is necessary to follow the procedure of attaching the drop-down into the door clip as shown in the picture



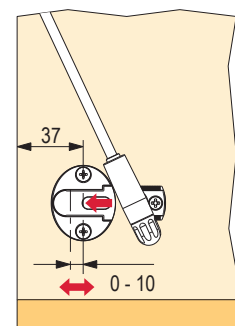
Dimensional diagram



Distance to piston centre



Dimensional diagram: cabinet body



- the dimensions given in the drawing apply to the opening version with handle
- for handleless opening, follow the enclosed instructions or the instructions on the website

📌 hinges on p. 01.11

Kraby bottom drop-down


Bottom

code	description
15588	164 mm
15594	244 mm
15589	355 mm

code	L (mm)	L1 (mm)	L2 (mm)	L3 (mm)
15588	164	164	47	min. 193
15594	244	240	84	min. 270
15589	355	345	135	min. 374

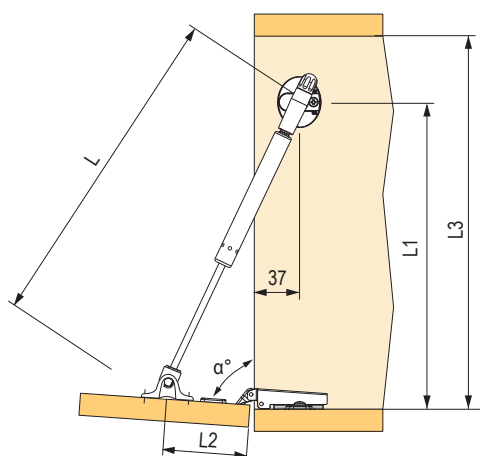
- the dimensions given in the table apply to the opening version with handle and when using concealed hinge with spring
- for other versions (handleless opening, Kimana hinges) follow the enclosed instructions or the instructions on the website


door height (mm)	type of lift	weight (kg)
225 – 250	2×15588	<3,5
301 – 350	2×15594	<4,9
401 – 450	2×15589	<6,3

- max. door width: 1200 mm
 - possibility to adjust the opening angle using a screw on the piston (angle 85–90°)
-  clip for narrow aluminium frame see p. 02.48

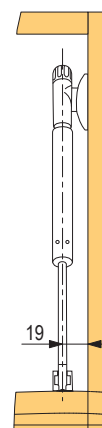


Dimensional diagram



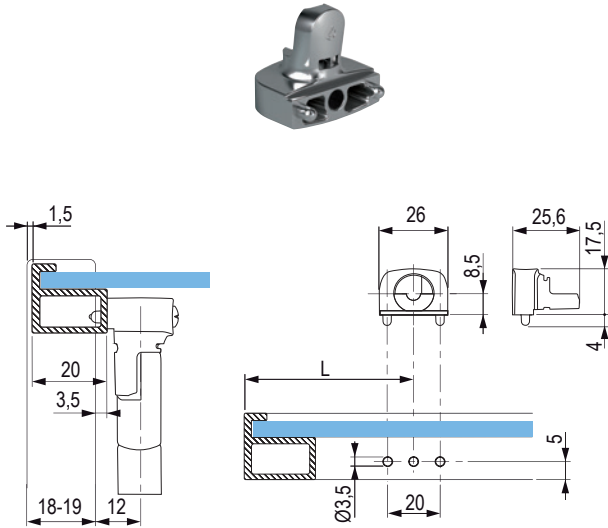
-  Mount the front clip so that the piston is inserted from the front.
This instruction must be followed, otherwise damage may be caused!

Distance to piston centre



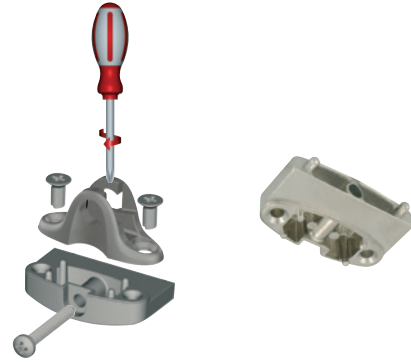
gas and oil pistons – K12 and Kraby accessories for thin aluminium frames

For K12



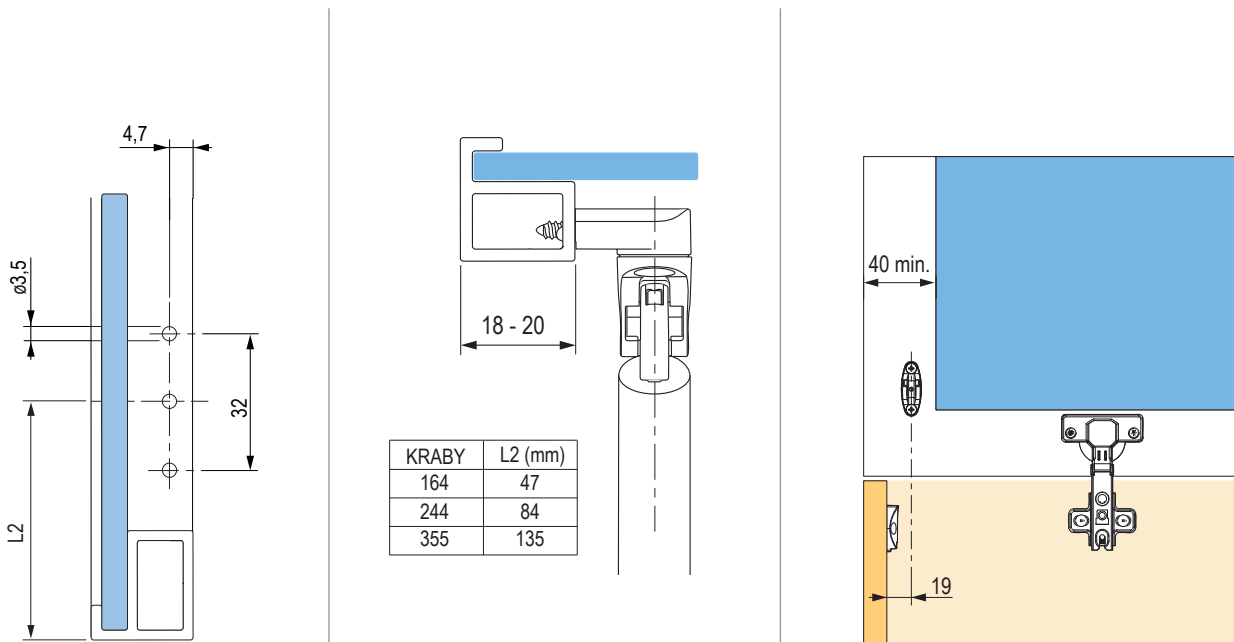
code	description
282479	adapter for thin aluminium frame

Kraby



code	description
15597	adapter for thin aluminium frame
15598	mounting screw, 5 × 10.5 mm, self-tapping
15599	mounting screw, 3.9 × 32 mm, self-tapping

Dimensional diagram of Kraby

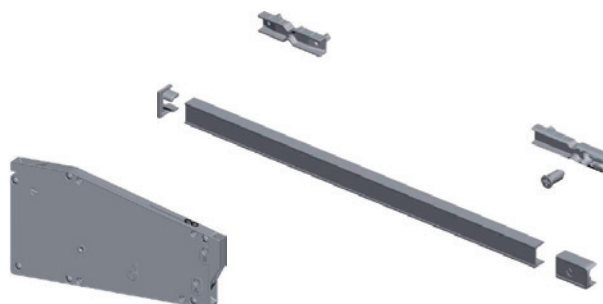


bottom with soft closing - Kiaro S and Kiaro

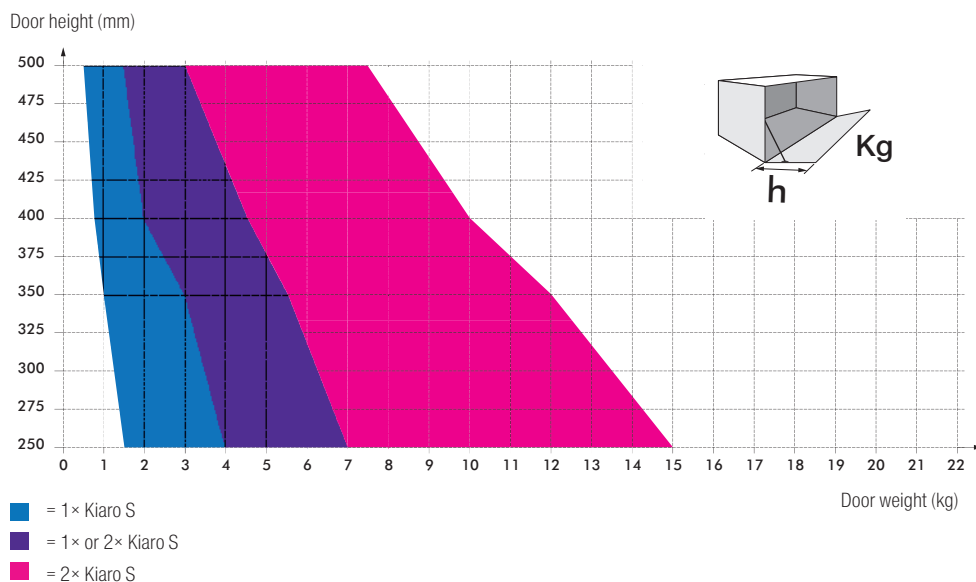
Kiario S and Kiario

type	colour	
	T-Met	Gunmetal
Kiario S with soft closing	405998	405997
Kiario with soft closing	392158	392159

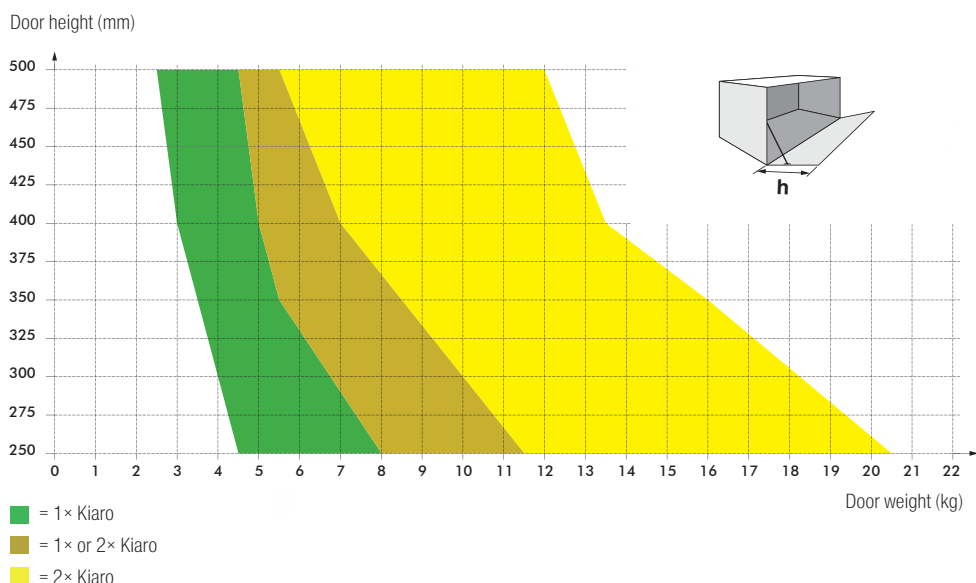
- two types for the lighter Kiario S doors and for the heavier Kiario doors
 - adjustment of the lift force directly on the mechanism
 - possibility to adjust the opening angle
- ☑ for handleless opening, we recommend the K-push system, p. 01.17
- ☑ recommended use in combination with Kimana hinge, p. 01.74



Help for the selection of the Kiario S lift



Help for the selection of the Kiario lift



bottom with soft closing system – **Kiario Easy**



Kiario Easy

type	colour		
	anthracite	grey	white
weak	475448	475446	485743
strong	475447	475445	485742

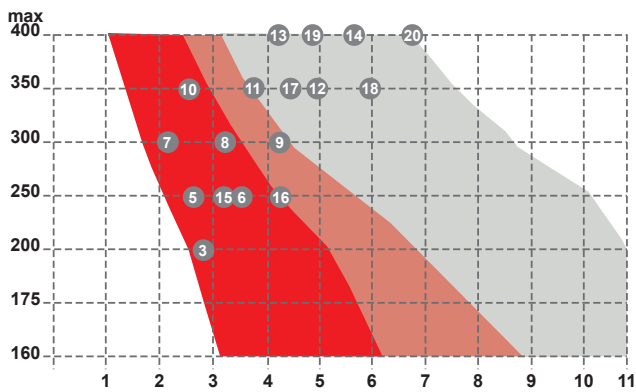


- KIARIO EASY is a folding opening system for smaller and lighter doors
- available in two strengths: weak and strong
- the guide rope made of extra strong marine fibre guarantees high durability and service life
- opening angle and soft closing force can be adjusted as required
- suitable for all hinge types

Dimensional diagram of front fitting

KIARIO EASY

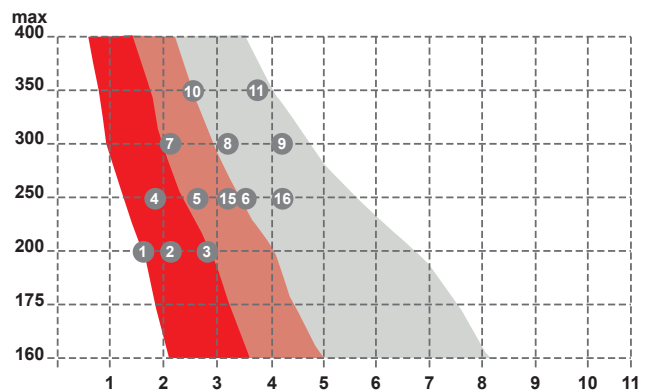
H (mm)



- = 2x KIARIO EASY light
- = 2x KIARIO EASY light or heavy
- = 2x KIARIO EASY heavy

KIARIO EASY

H (mm)



- = 1x KIARIO EASY light
- = 1x KIARIO EASY light or heavy
- = 1x KIARIO EASY heavy

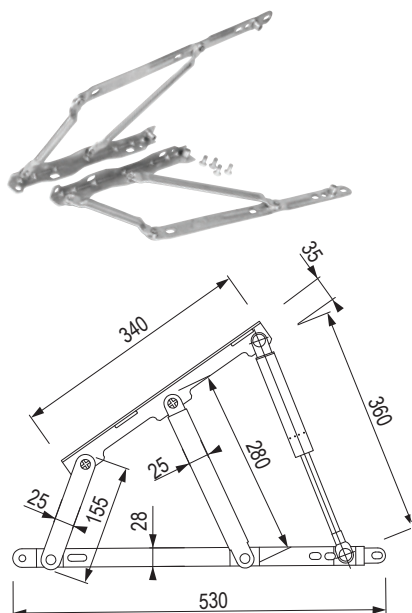
Minimum internal cabinet body depth 168 mm (160 mm)

use	height (mm)	width (mm)	weight (theoretical)
1	200	600	1,6 kg
2	200	900	2,1 kg
3	200	1 200	2,8 kg
4	250	600	1,8 kg
5	250	900	2,6 kg
6	250	1 200	3,5 kg
7	300	600	2,1 kg
8	300	900	3,2 kg
9	300	1 200	4,2 kg
10	350	600	2,5 kg

use	height (mm)	width (mm)	weight (theoretical)
11	350	900	3,7 kg
12	350	1 200	4,9 kg
13	400	900	4,2 kg
14	400	1 200	5,6 kg
15	250	900	3,2 kg
16	250	1 200	4,2 kg
17	350	900	4,4 kg
18	350	1 200	5,9 kg
19	400	900	4,8 kg
20	400	1 200	6,7 kg

for beds with storage space, gas and oil

Metal lifter body



code	recommended for pistons	description
224332	50-750 N	zinc
545333	1000-1500 N	black

- the set contains a pair of bed lifters
- for complete fitting order one of the recommended pistons according to the table
- maximum opening angle 40°

Recommended piston types

bed type	width (cm)	recommended pistons
simple bed with transversal opening	60 - 70	2× 350 N
	80 - 90	2× 450 N
simple bed with longitudinal opening	80 - 90	2× 500 N
	100 - 120	2× 750 N
double bed with one bed base	140 - 150	2× 650 N/750 N
	160	2× 750 N/1000 N
	180	2× 1000 N
double bed with two bed bases	140 - 160	4× 450 N/500 N
	180	4× 500 N/750 N

- calculated for bed length: 190-200 cm
- recommended types of pistons are informative (calculated for common slatted bed base and polyurethane mattress approx. 5 kg/m²)

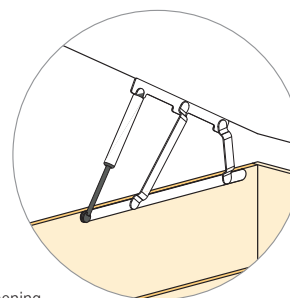
Pistons



code	force
224333	350 N
224334	450 N
224335	500 N
224336	650 N
224337	750 N
224338	1000 N
224339	1200 N
224340	1350 N
224341	1500 N

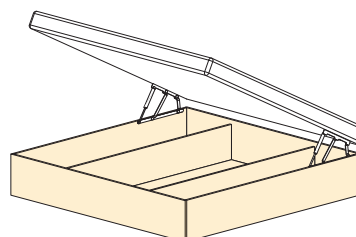
- 2 pistons are required for one bed fitting

Detail of fittings orientation



① simple bed with longitudinal opening

Positioning of fittings



for folding down the bed – KP09

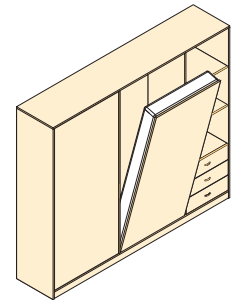


Bed lifter KP09

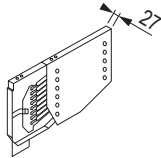
code	colour
11455	white

- all-metal enclosure with inner spring system
- set includes a complete pair of fittings
- for a minimum cabinet depth of 330 mm
- regulation of springs with a screw on the rear side
- use – folding beds
- can be used for single or double bed (max. bed

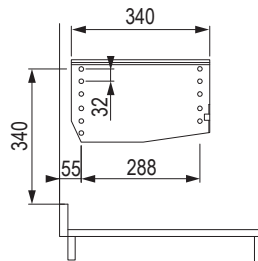
- width 140 cm)
- maximum weight of bed structure should not exceed 55 kg (construction + bed base + mattress)
- only cabinet mechanism is included, without supporting leg solution
- spare spring 211055



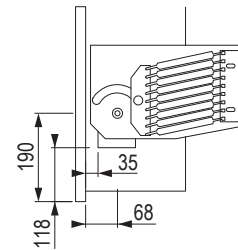
Releasing cassette from the enclosure



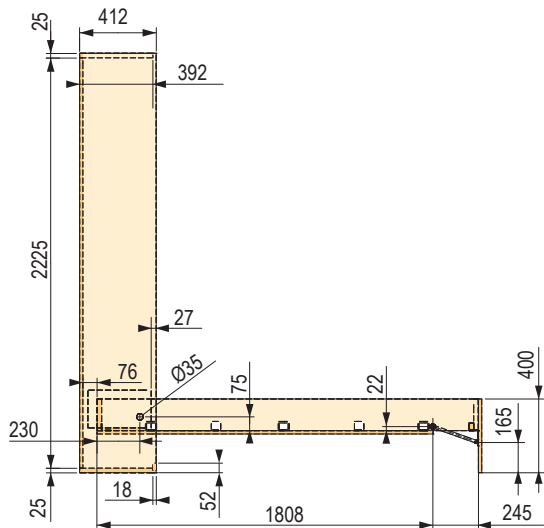
Assembly into cabinet body



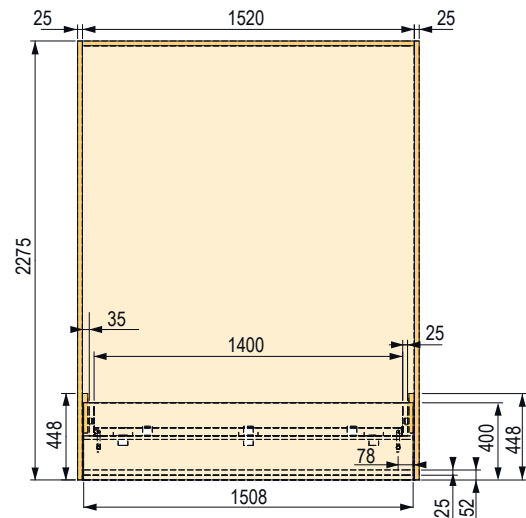
Assembly onto bed base



Installation of the enclosure into the cabinet



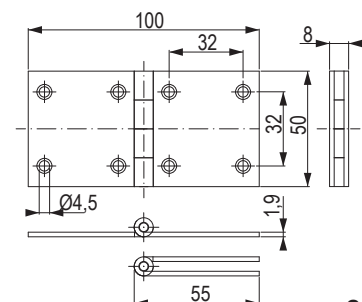
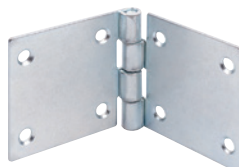
Dimensional diagram



Hinge 50 × 50

code	description
392591	galvanised steel

- the outer diameter of the pin and the thickness of the hinge in the closed state is 8 mm
- sheet thickness is 1 mm



Folding bed fittings

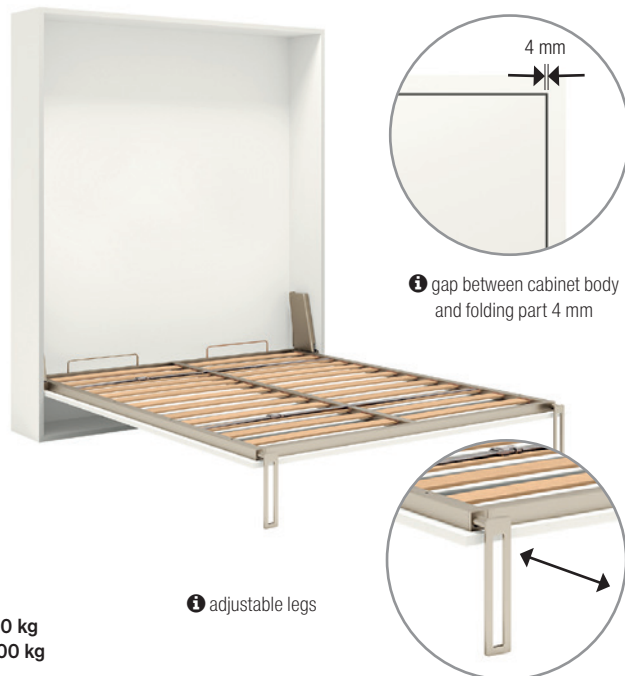
code	description	bed dimensions (cm)	frame dimensions (cm)
502009	folding fittings for single bed	90 × 200	93 × 202
502010	folding fittings for double bed	160 × 200	163 × 202

- metal bed frame with beech wood slats
- folding mechanism with cushioned pistons and synchronised adjustable leg
- it is necessary to make the bed frame + mattress

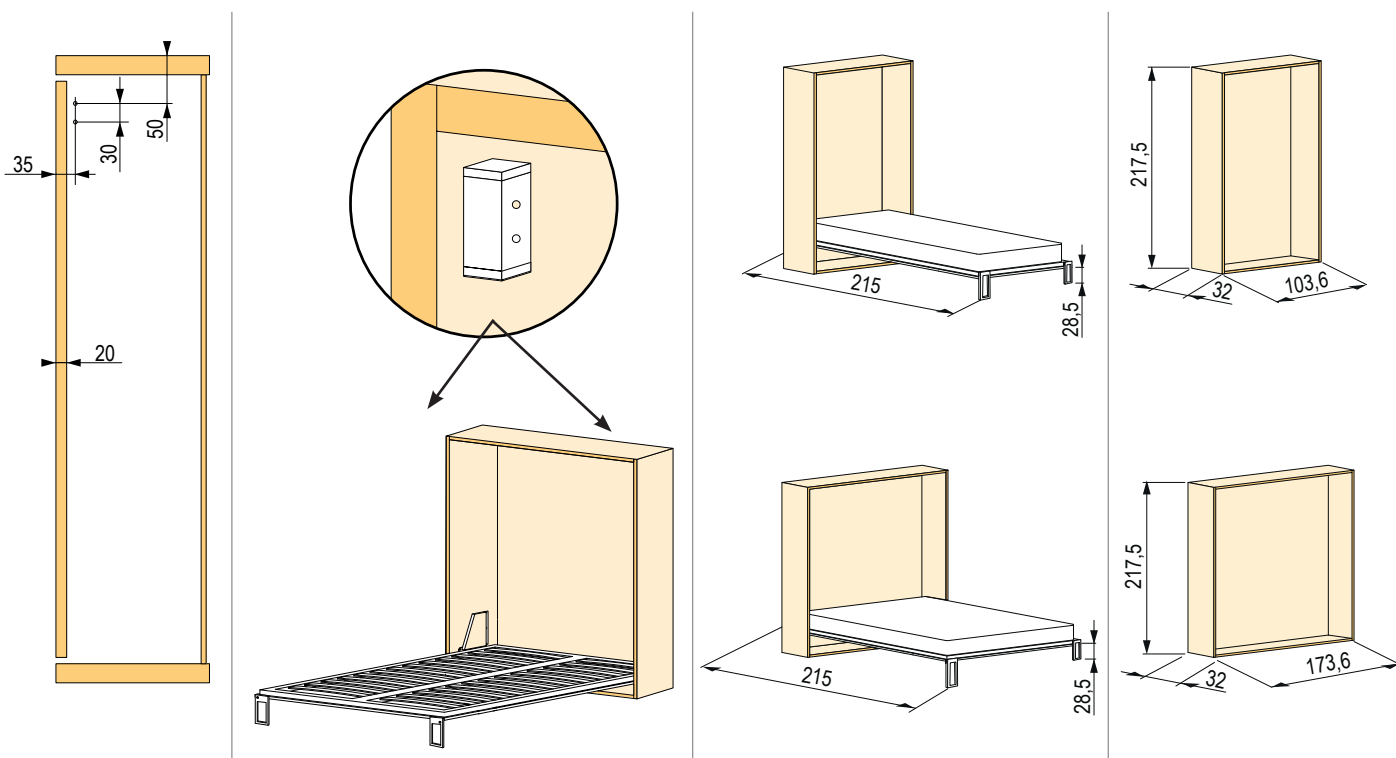


option of splitting the bed bases for easier handling and transportation

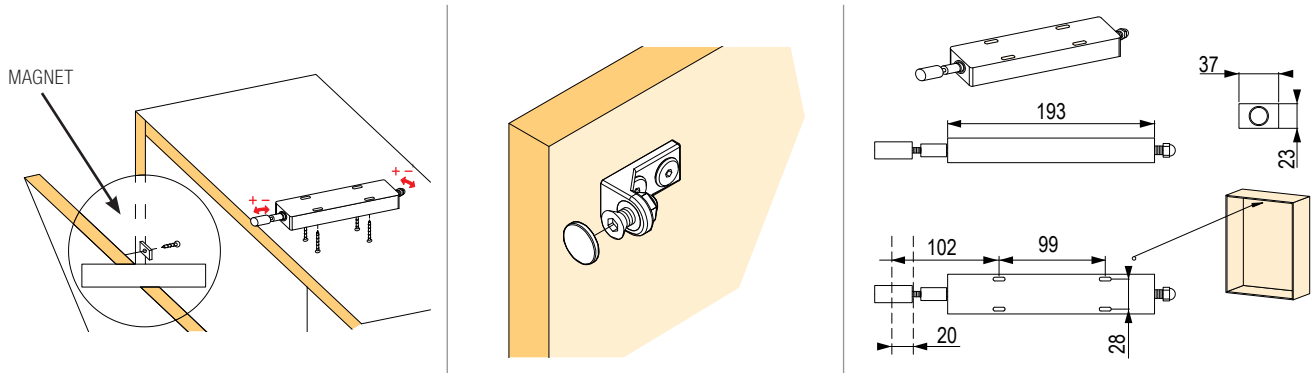
- Load capacity:
- single bed evenly distributed - **up to 150 kg**
 - double bed evenly distributed - **up to 200 kg**



Dimensional diagrams



Dimensional diagrams



Door stop



code	name
551143	with magnet



code	name
551142	without magnet



code	name
551144	push system with magnet

Folding fittings

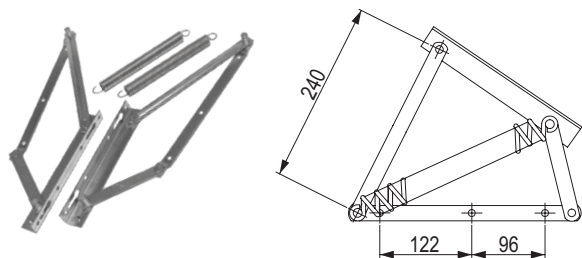


code	name	bed dimensions (cm)	frame dimensions (cm)
506448	Speedy wall folding fittings	90 × 200	93 × 202

- folding mechanism with soft closing pistons
- base for wall mounting and key for safety lock
- the folding mechanism can be used without the need for a built-in cabinet
- load capacity: 150 kg

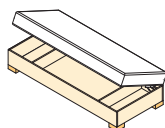
for beds with storage space

Bed lifter KP01

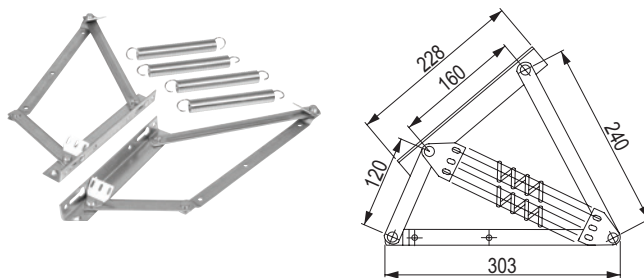


code	surface treatment	ø of spring wire (mm)
11435	galvanised zinc	2,5

- fitting for transversal opening of beds with storage space
- single bed
- opening across the width (transverse)
- minor lift
- suitable for recessed and overlay bed
- spare spring 11436

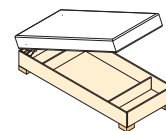


Bed lifter KP02

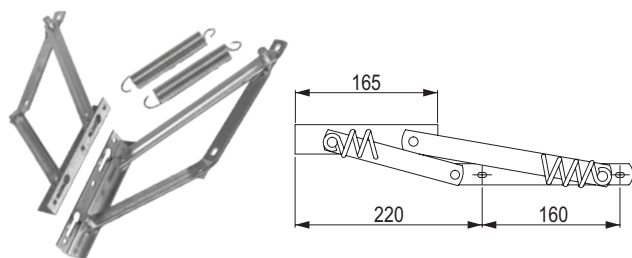


code	surface treatment	ø of spring wire (mm)
11445	galvanised zinc	2,5

- fitting for longitudinal opening of beds with storage space
- single bed
- suitable for recessed and overlay bed
- spare spring 175857

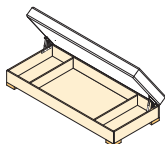


Bed lifter KP03

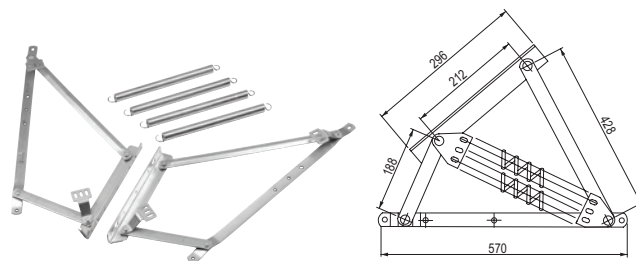


code	surface treatment	ø of spring wire (mm)
11431	galvanised zinc	2,5

- fitting for transversal opening of beds with storage space
- single bed
- increased lift (greater than KP01)
- suitable for recessed and overlay bed
- spare spring 11454

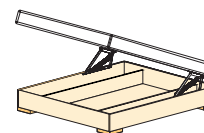


Bed lifter KP04



code	surface treatment	ø of spring wire (mm)
11447	galvanised zinc	2,5

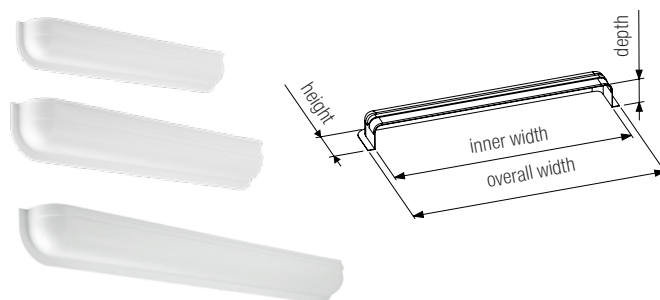
- fitting for longitudinal opening of beds with storage space
- double bed
- lift of the entire bed
- suitable for recessed and overlay bed
- spare spring 11452



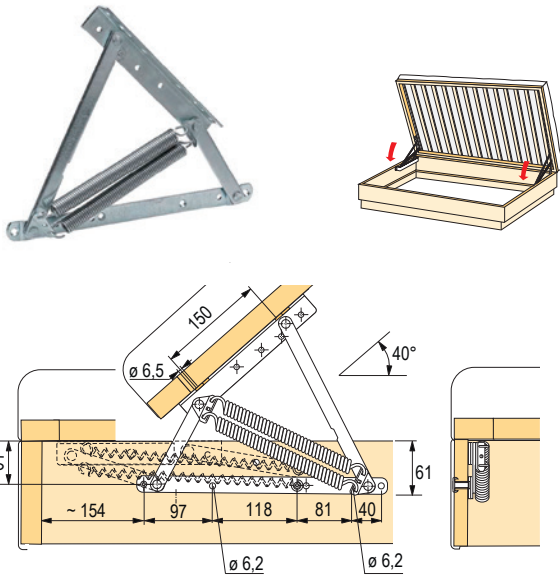
Accessories – Fitting cover

code	for bed lifter	overall width (mm)	inner width (mm)	depth (mm)	height (mm)
500212	KP03	520	490	53	80
500213	KP01, KP02	570	540	55	85
500214	KP04/piston	815	780	60	80

- white colour
- sold individually



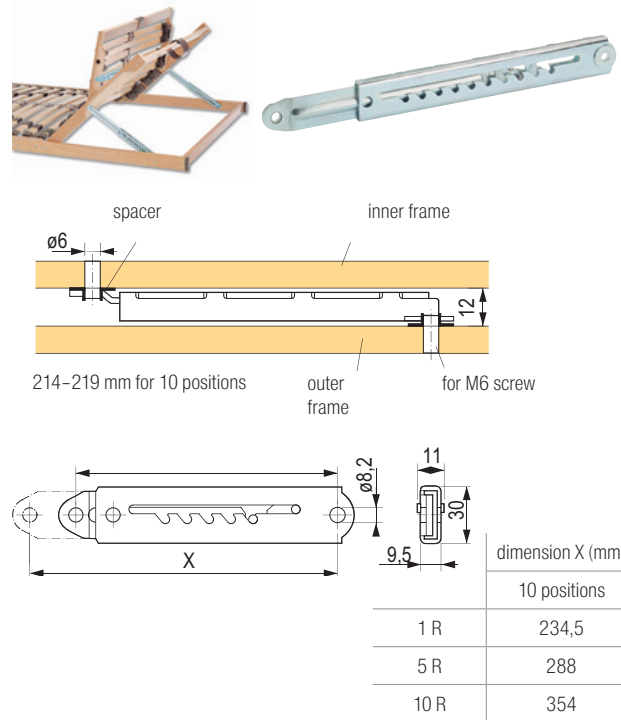
Spring lift



code	Hettich code
104943	9132738

- all riveted connections with washers for stability
- spring prestress supports tilting
- weight of bed base including 25 kg mattress
- inserted structure must be supported on all 4 sides
- plastic cover protects bedclothes in storage space
- only available as a set consisting of one right and one left fitting
- chromated steel

Rastomat



code	Hettich code
105281	25174

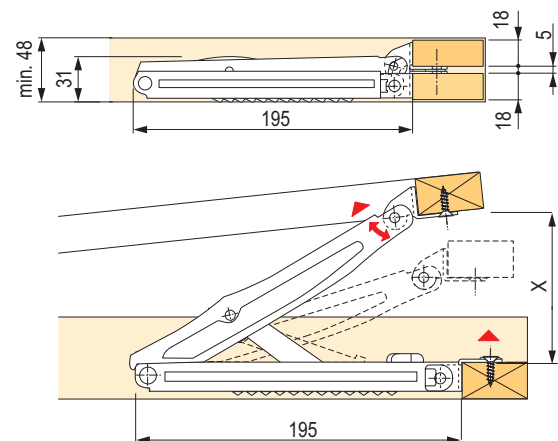
- positioning fitting for head and leg part
- number of positions: 10
- can be used also for height adjustable desktops, deck chairs, benches, etc.
- the fitting will engage in any position without back run
- stable construction
- overtightening is eliminated thanks to a steel lock
- spacers are included in the supply
- blue passivated steel

Multiflex



code	Hettich code
105283	25173

- positioning fitting for head and leg part
- 13 positions
- especially low built-in height
- simple and quick assembly
- blue passivated steel



Position	0	1	2	3	4	5	6	7	8	9	10	11	12	13	Backstop mm (max. opening)
Dimension X (mm)	5	29	69	99	124	143	160	176	193	207	223	240	257	278	