

furniture slides

h2

h1



TEMPLATES

A template is the safest way to prepare a part accurately. You can either buy or rent them at some of our stores.



COMPLETE DRAWERS

Some drawers are more difficult to assemble due to the number of parts that need to be combined. We've made it easy for you by creating special ordering codes under which you'll find everything you need.



MATERIAL FOR DRAWER PRODUCTION

The material for making the door together with the fitting? There's nothing easier than ordering both from us.



PORTAL

A customer portal for shopping, order overview, placing formatting orders and checking their status, information about stock and your prices and much more in one place.



MOUNTING FIXTURES

Like the template, the fixture is the safest way to prepare the part accurately. You can either buy or rent them at some of our stores.



SAMPLE ROOM DISPLAYS

What are the differences between drawers? Come and see for yourself, or send your customers to our sample room. We will walk them through everything and help them make the right choice.



DELIVERY TO YOUR DOOR

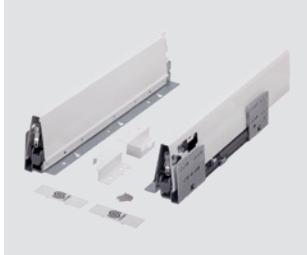
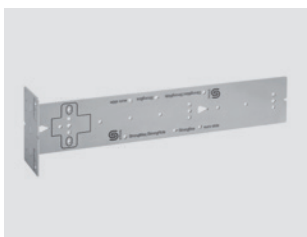
All orders will be delivered to your hands within 72 hours.

contents

Contents by brand:	Strong Blum Hettich	Strong slide systems 03.5
		Blum slide systems 03.44
		Hettich slide systems 03.105



	slide system with thin double side panel	Strong Blum Hettich	StrongMax 03.6 Legrabox 03.73 AvanTech You 03.107
	with double side panel	Strong Blum Hettich	StrongBox 03.15 Antaro, Merivobox 03.45 ; 03.62 ArciTech, Atira 03.111; 03.116
	slide system with single side panel	Strong	StrongMini 03.13
	concealed	Strong Blum Hettich	StrongRide 03.25 Movento, Tandem 03.99 Actro, Quadro 03.121
	ball bearing	Strong Hettich	StrongBall 03.31 Hettich KA 03.125
	roll runner with raised side panel	Strong Blum	StrongRoll 03.41 Metabox 03.103
	roll runner	Strong Hettich	StrongRoll 03.41 Hettich FR 03.128

	<p>with thin single or double side panel</p>	<p>StrongMax, height 89 mm 03.6</p> <p>StrongMax, height 121 mm 03.7</p> <p>StrongMax, height 185 mm 03.8</p> <p>StrongMax, height 249 mm 03.9</p> <p>StrongMax height 185 mm with glass sides 03.8</p> <p>StrongMax inner drawer solution 03.11</p> <p>StrongMax accessories 03.12</p> <p>StrongMini 03.13</p>
	<p>with double side panel</p>	<p>StrongBox, height 86 mm 03.16</p> <p>StrongBox, height 140 mm 03.17</p> <p>StrongBox, height 204 mm 03.18</p> <p>StrongBox inner solutions 03.20</p> <p>StrongBox accessories 03.21</p>
	<p>concealed slides</p>	<p>StrongRide UNI 03.29</p> <p>StrongRide 3D synchro 03.25</p> <p>StrongRide 3D 03.26</p> <p>StrongRide 2D for handleless opening 03.27</p> <p>StrongRide 2D 03.28</p>
	<p>ball bearing slides</p>	<p>with soft closing (45 kg) S5: 03.31 ; S3: 03.40</p> <p>with soft closing and higher load capacity (75 kg) 03.33</p> <p>for handleless opening 03.34</p> <p>for handleless opening with damping 03.39</p> <p>without soft closing with load capacity of up to 120 kg 03.35</p> <p>without soft closing (45 kg) 03.35</p> <p>mini slides and keyboard slides 03.37</p>
	<p>roll runner slides with side</p>	<p>StrongRoll 03.41</p>
	<p>roll runner slides without side</p>	<p>StrongRoll 03.41</p>
	<p>Strong assembly template for slides</p>	<p>Strong 03.43</p>

For base thickness 18 mm

length (mm)	grey	white	black
300	503030	503062	×
350	503031	503063	×
400	503032	503064	×
450	503033	503065	503094
500	503034	503066	503095
550	503035	503067	×
600	503036	503068	×
650	503037	503069	×

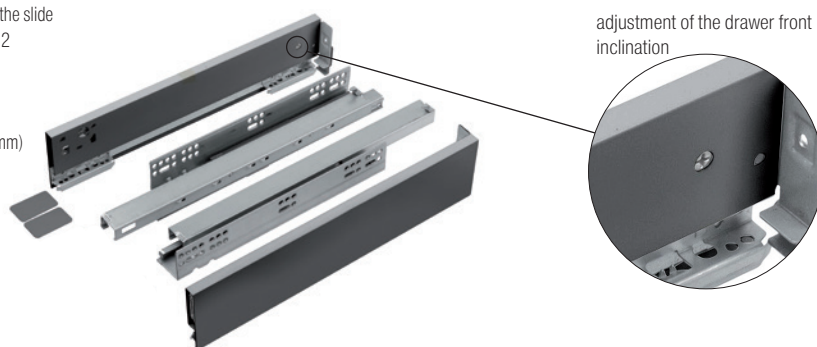
For base thickness 16 mm

length (mm)	grey	white	black
300	502937	502969	×
350	502938	502970	×
400	502939	502971	×
450	502940	502972	503004
500	502941	502973	503005
550	502942	502974	×
600	502943	502975	×
650	502944	502976	×

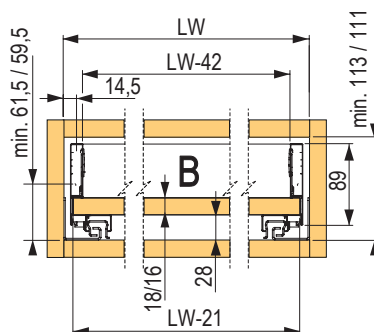
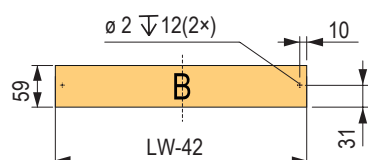
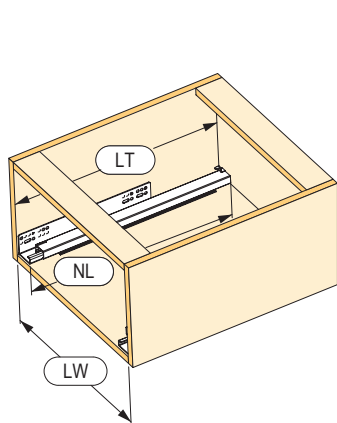
- load capacity 40 kg
- the maximum recommended width of the drawer is 1.6 times the length of the slide
- ☑ for wider drawers, we recommend using base supports (front, rear), p. 03.12
- drawer removal mechanism is integrated in the side
- vertical and horizontal adjustment of the drawer front
- adjustment of the drawer front inclination
- **StrongMax18** (base thickness 18 mm), **StrongMax16** (base thickness 16 mm)
- ☑ fittings for inner drawer and other accessories, pp. 03.11-12

The complete set includes everything for drawer assembly, it consists of:

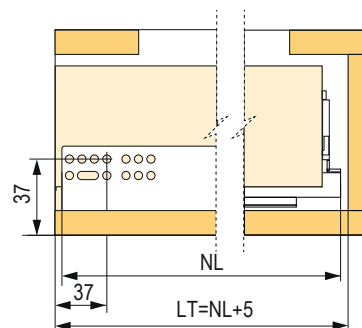
- L+R sides including front fittings, integrated back holders, front and back support and cover cap with STRONG logo and accessories
- L+R slide 40 kg with soft closing



Dimensional diagram



Cutting dimensions



- NL = nominal slide length
- NL - 20 = base length
- NL + 5 = minimum distance of the back of the cabinet body from the slide
- LW = minimum inner cabinet body width
- LW - 42 = rear panel width
- LW - 21 = base width
- LT = inner cabinet body depth

☑ cutlery trays on pp. 04.9-04.11

StrongMax 121 mm



For base thickness 18 mm

length (mm)	grey	white	black
300	503038	503070	
350	503039	503071	×
400	503040	503072	×
450	503041	503073	503096
500	503042	503074	503097
550	503043	503075	×
600	503044	503076	×
650	503045	503077	×

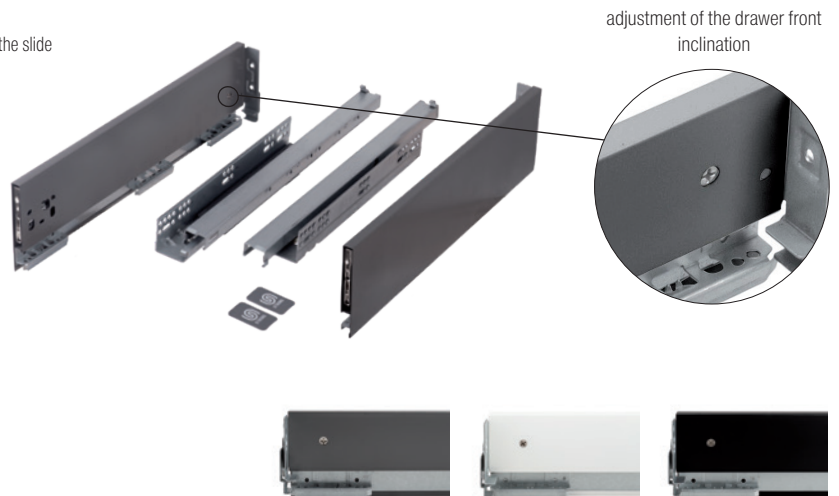
For base thickness 16 mm

length (mm)	grey	white	black
300	502945	502977	×
350	502946	502978	×
400	502947	502979	×
450	502948	502980	503012
500	502949	502981	503013
550	502950	502982	×
600	502951	502983	×
650	502952	502984	×

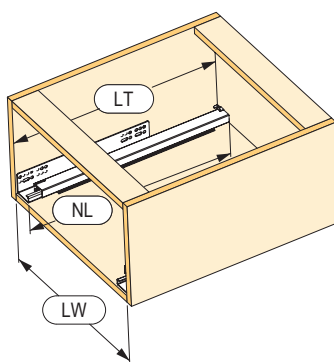
- load capacity 40 kg
- the maximum recommended width of the drawer is 1.6 times the length of the slide
- ☑ for wider drawers, we recommend using base supports (front, rear), 03.12
- drawer removal mechanism is integrated in the side
- vertical and horizontal adjustment of the drawer front
- adjustment of the drawer front inclination
- **StrongMax18** (base thickness 18 mm), **StrongMax16** (base thickness 16 mm)
- ☑ fittings for inner drawer and other accessories, pp. 03.11-12

The complete set includes everything for drawer assembly, it consists of:

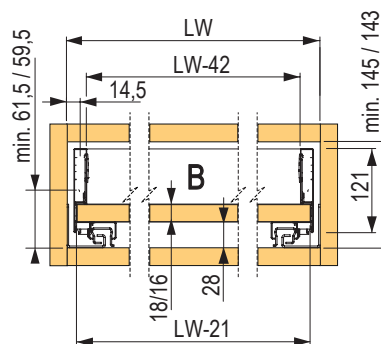
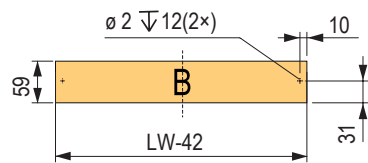
- L+R sides including front fittings, integrated back holders, front and back support and cover cap with STRONG logo and accessories
- L+R slide 40 kg with soft closing



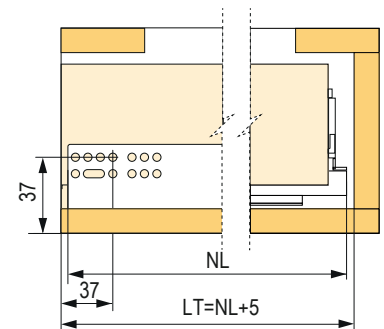
Dimensional diagram



- NL = nominal slide length
- NL - 20 = base length
- NL + 5 = minimum distance of the back of the cabinet body from the slide
- LW = minimum inner cabinet body width
- LW - 42 = rear panel width
- LW - 21 = base width
- LT = inner cabinet body depth



Cutting dimensions



☑ cutlery trays on pp. 04.9-04.11

StrongMax 185 mm

For base thickness 18 mm

length (mm)	grey	white	black
300	503046	503078	×
350	503047	503079	×
400	503048	503080	×
450	503049	503081	503098
500	503050	503082	503099
550	503051	503083	×
600	503052	503084	×
650	503053	503085	×

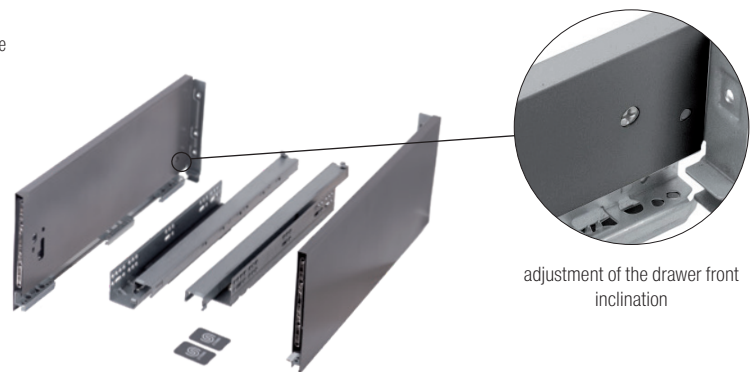
For base thickness 16 mm

length (mm)	grey	white	black
300	502953	502985	×
350	502954	502986	×
400	502955	502987	×
450	502956	502988	503020
500	502957	502989	503021
550	502958	502990	×
600	502959	502991	×
650	502960	502992	×

- load capacity 40 kg
- the maximum recommended width of the drawer is 1.6 times the length of the slide
- ☑ for wider drawers, we recommend using base supports (front, rear), p. 03.12
- drawer removal mechanism is integrated in the side
- vertical and horizontal adjustment of the drawer front
- adjustment of the drawer front inclination
- **StrongMax18** (base thickness 18 mm), **StrongMax16** (base thickness 16 mm)
- ☑ fittings for inner drawer and other accessories, pp. 03.11-12

The complete set includes everything for drawer assembly, it consists of:

- L+R sides including front fittings, integrated back holders, front and back support and cover cap with STRONG logo and accessories
- L+R slide 40 kg with soft closing



adjustment of the drawer front inclination

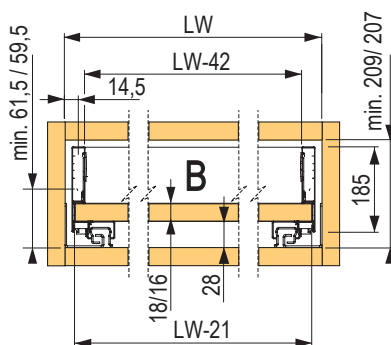


With 18 mm glass side panel

length NL (mm)	grey	white	black
450	503059	503091	503102
500	503060	503092	503103
550	503061	503093	×

- for base thickness 18 mm
- ☑ cutlery trays on pp. 04.9-04.11

Cutting dimensions



- NL = nominal slide length
- NL - 20 = base length
- NL + 5 = minimum distance of the back of the cabinet body from the slide
- LW = minimum inner cabinet body width
- LW - 42 = rear panel width
- LW - 21 = base width
- LT = inner cabinet body depth

12345 Item in stock

12345 Item on demand

With 16 mm glass side panel

length NL (mm)	grey	white	black
450	502966	502998	503027
500	502967	502999	503028
550	502968	503000	×

- for base thickness 16 mm



StrongMax 249 mm



For base thickness 18 mm

length (mm)	grey	white	black
450	503054	503086	503100
500	503055	503087	503101
550	503056	503088	×
600	503057	503089	×
650	503058	503090	×

For base thickness 16 mm

length (mm)	grey	white	black
450	502961	502993	503025
500	502962	502994	503026
550	502963	502995	×
600	502964	502996	×
650	502965	502997	×

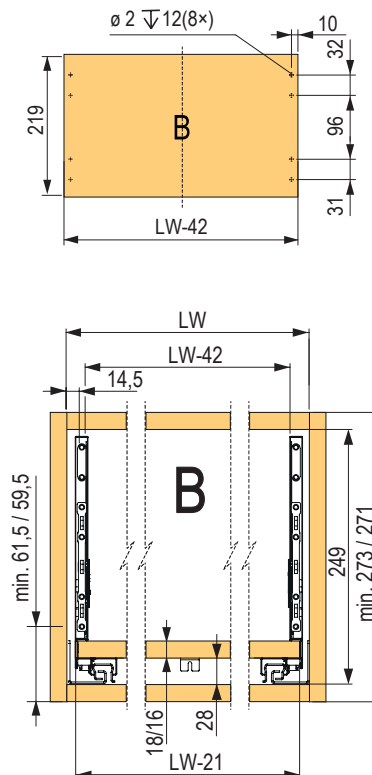
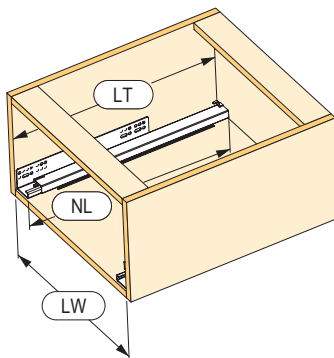
- load capacity 40 kg
- the maximum recommended width of the drawer is 1.6 times the length of the slide
- ☑ for wider drawer, we recommend using base supports (front, rear), p. 03.19
- drawer removal mechanism is integrated in the side
- vertical and horizontal adjustment of the drawer front
- adjustment of the drawer front inclination
- **StrongMax18** (base thickness 18 mm), **StrongMax16** (base thickness 16 mm)
- ☑ fittings for inner drawer and other accessories, pp. 03.17 - 03.20

The complete set includes everything for drawer assembly, it consists of:

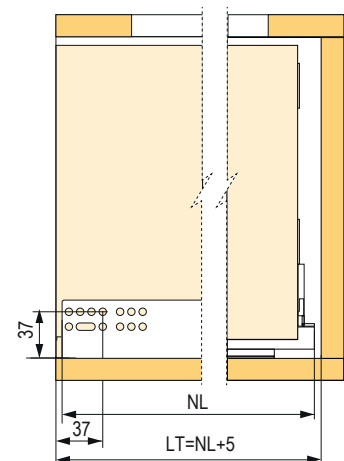
- L+R sides including front fittings, integrated back holders, front and back support and cover cap with STRONG logo and accessories
- L+R slide 40 kg with soft closing



Dimensional diagram



Cutting dimensions



- NL = nominal slide length
- NL - 20 = base length
- NL + 5 = minimum distance of the back of the cabinet body from the slide
- LW = minimum inner cabinet body width
- LW - 42 = rear panel width
- LW - 21 = base width
- LT = inner cabinet body depth

☑ cutlery trays on pp. 04.9-04.11

StrongMax – individual components

StrongMax 18 sides

grey					
length (mm)	89	121	185	185 + glass	249
300	502867	502881	502874	x	x
350	502866	502880	502873	x	x
400	502865	502879	502872	x	x
450	502864	502878	502871	502933	502909
500	502863	502877	502870	502934	502910
550	502862	502876	502869	502929	502911
600	503115	503117	503119	x	502912
650	503116	503118	503120	x	502913

white					
length (mm)	89	121	185	185 + glass	249
300	502846	502860	502853	x	x
350	502845	502859	502852	x	x
400	502844	502858	502851	x	x
450	502843	502857	502850	502931	502904
500	502842	502856	502849	502932	502905
550	502841	502855	502848	502928	502906
600	503109	503111	503113	x	502907
650	503110	503112	503114	x	502908

black					
length (mm)	89	121	185	185 + glass	249
450	502885	502899	502892	502935	502914
500	502884	502898	502891	502936	502915

- L + R side packed in a box
- integrated back holders
- front fittings in the side

StrongMax 16 sides

grey					
length (mm)	89	121	185	185 + glass	249
300	374211	374216	374221	x	x
350	374212	374217	374222	x	x
400	374213	374218	374223	x	x
450	374189	374191	374193	502924	502831
500	374190	374192	374194	502925	502832
550	374214	374219	374224	502920	502833
600	503127	503129	503131	x	502834
650	503128	503130	503132	x	502835

white					
length (mm)	89	121	185	185 + glass	249
300	374196	374201	374206	x	x
350	374197	374202	374207	x	x
400	374198	374203	374208	x	x
450	374183	374185	374187	502922	502826
500	374184	374186	374188	502923	502827
550	374199	374204	374209	x	502828
600	503121	503123	503125	x	502829
650	503122	503124	503126	x	502830

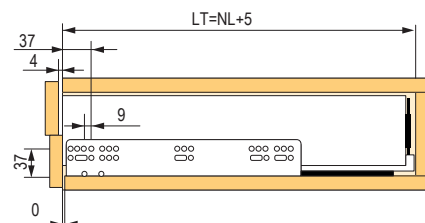
black					
length (mm)	89	121	185	185 + glass	249
450	502805	502819	502812	502926	502836
500	502804	502818	502811	x	502837

StrongMax slides

full extension slide 40 kg		PUSH full extension slide 40 kg	
300	374229	546614	
350	374230	546615	
400	374231	546616	
450	374232	546617	
500	374233	546618	
550	374234	546619	
600	502825	x	
650	502824	x	



- L + R synchronised push full extension slide
- load capacity 40 kg
- ☑ legend to diagram: p. 03.9



Glass front for DTDL 16 cabinet bodies

width (mm)	height 89 (mm)	height 121 (mm)	height 185 (mm)	colour
500	401956	402264	402267	clear
600	401957	402265	402268	
800	401958	402266	402269	
900	403173	403174	403175	

Glass front for DTDL 18 cabinet bodies

width (mm)	height 89 (mm)	height 121 (mm)	height 185 (mm)	colour
500	529801	529804	529807	clear
600	529802	529805	529808	
800	529803	529806	529809	

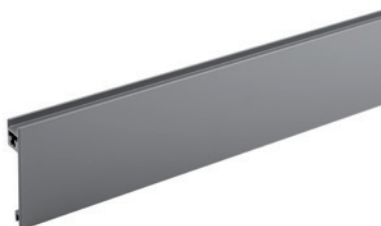
Front profile brackets for glass fronts

height (mm)	grey	white	black
89	401948	401944	401952
121	401949	401945	401953
185	401950	401946	401954



Front profile for glass front

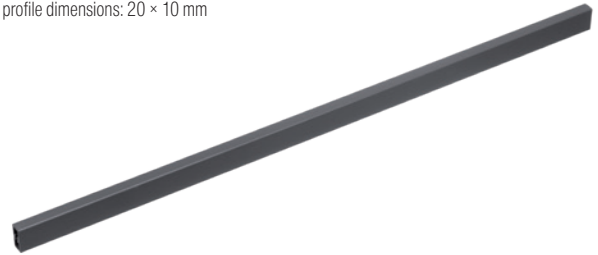
code	width (mm)	colour
401947	1100	white
401951		grey
401955		black



Front handle railing

length (mm)	grey	white	black
800	336115	336117	×
1100	336114	336116	400410

- for cutting to size according to the cabinet body width
- railing length for inner drawer with a height of 185 mm = inner width of the cabinet body – 55 mm
- profile dimensions: 20 × 10 mm



Front profile holder

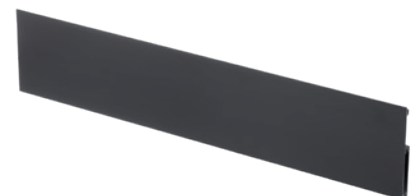
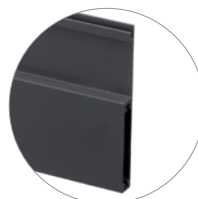
description	grey	white	black
H89	336109	336104	400404
H121	336110	336105	400405
H185	336111	336106	400406



Front profile

length (mm)	grey	white	black
800	336107	336112	×
1100	336108	336113	400408

- for cutting to size according to the cabinet body width
- profile length = inner cabinet body width – 87 mm
- profile height: 100.5 mm



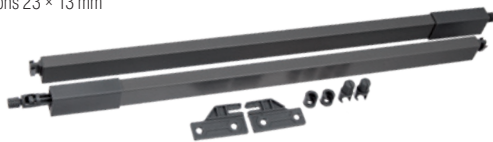


StrongMax – internal dividers and fittings for inner drawer

① Railing set for raising a drawer

length (mm)	grey	white	black
300	×	359377	×
350	×	359378	×
400	359373	359379	×
450	359374	359380	400398
500	359375	359381	400399
550	359376	359382	×

- possibility to use for any height and in any quantity
- can be combined with all StrongMax heights
- front drawer assembly as with standard railings, rear panel mounting with special clips
- profile dimensions 23 × 13 mm



② Profile for internal dividers

length (mm)	grey	white
1100	359822	359823

- for cutting to size according to the drawer dimensions
- length of cross divider profile = inner cabinet body width – 47 mm
- length of lateral divider profile = slide length (NL) – 40 mm
- profile dimensions: 20 × 10 mm



③ Profile fixing bracket for inner division

code	colour
359365	grey
359366	white



- for attaching the cross divider to longside railing
- inner division is not recommended to be used without railing

for height 89/121



code	description
512874	for marking an assembly hole for the front assembly

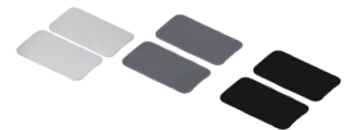
⑥ Partition wall

code	colour
359369	grey
359370	white



Blank cover cap with printing option

grey	white	black
363036	363034	400403



Rear base support

code	description
362336	base/rear support



- base support for wide drawers

Front base support for wooden fronts

code	description
362335	front



- base support for wide drawers

Base support for inner drawers

code	description
376287	front inner drawers



- base support for wide drawers

For height 185



code	description
512876	for marking an assembly hole for the front assembly

slide systems with thin side panel

StrongMini 89 / 121 / 185 mm



StrongMini complete sets – partial extension

length (mm)	89 mm		121 mm		185 mm	
	white	grey	white	grey	white	grey
270	548486	548507	548493	548514	548500	548521
300	548487	548508	548494	548515	548501	548522
350	548488	548509	548495	548516	548502	548523
400	548489	548510	548496	548517	548503	548524
450	548490	548511	548497	548518	548504	548525
500	548491	548512	548498	548519	548505	548526
550	548492	548513	548499	548520	548506	548527



- load capacity 25 kg with partial soft-closing extension
- load capacity 30 kg with full soft-closing extension
- white and grey colour identical to StrongMax drawer systems

StrongMini complete sets – full extension

length (mm)	89 mm		121 mm		185 mm	
	white	grey	white	grey	white	grey
270	548528	548549	548535	548556	548542	548563
300	548529	548550	548536	548557	548543	548564
350	548530	548551	548537	548558	548544	548565
400	548531	548552	548538	548559	548545	548566
450	548532	548553	548539	548560	548546	548567
500	548533	548554	548540	548561	548547	548568
550	548534	548555	548541	548562	548548	548569



- base and rear panel cutting dimensions are identical
- the slide system installation holes are identical to those of the StrongMax slide system, so the existing StrongMax template can be used



slide systems with thin side panel StrongMini 89 / 121 / 185 mm

Individual components

- 1 mm side panel width = 3 cm more internal space compared to a thin double side panel (e.g. StrongMax, Legrabox, etc.).
- Combination with partial extension with a load capacity of 25 kg or full extension with a load capacity of 30 kg.
- In both cases, the slide system features soft closing.
- The slide system installation holes are identical to those of the StrongMax slide system, so the existing StrongMax template can be used.
- The rear and front holder is a fixed part of the side panel.
- The base and rear panel cutting dimensions are identical.

Side height 89

length (mm)	white	grey
270	541733	541754
300	541734	541755
350	541735	541756
400	541736	541757
450	541737	541758
500	541738	541759
550	541739	541760

Side height 121

length (mm)	white	grey
270	541740	541761
300	541741	541762
350	541742	541763
400	541743	541764
450	541744	541765
500	541745	541766
550	541746	541767

Side height 185

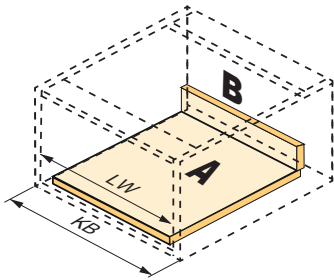
length (mm)	white	grey
270	541747	541768
300	541748	541769
350	541749	541770
400	541750	541771
450	541751	541772
500	541752	541773
550	541753	541774

Slide with soft closing

length (mm)	partial (25kg)	full (30kg)
270	541775	541782
300	541776	541783
350	541777	541784
400	541778	541785
450	541779	541786
500	541780	541787
550	541781	541788



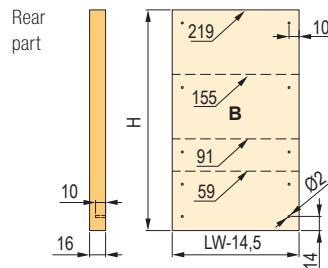
slide systems with thin side panel StrongMini 89 / 121 / 185 mm



Drawer dimensions and drilling (mm)

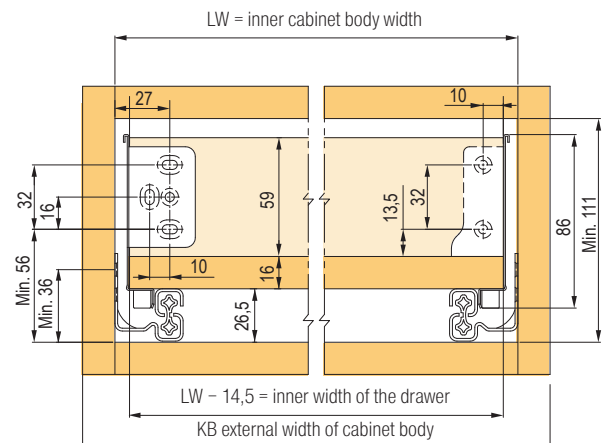
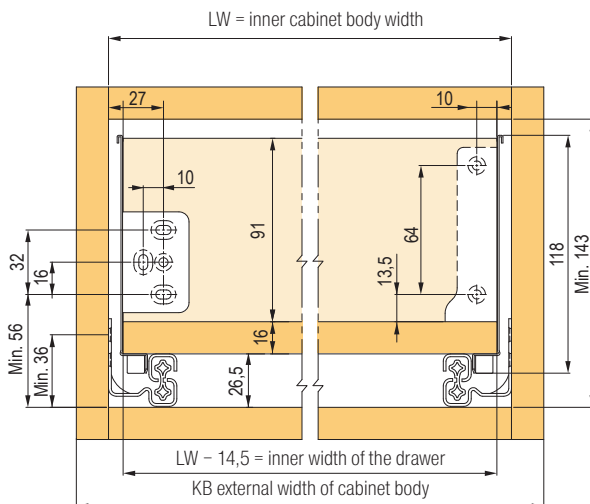
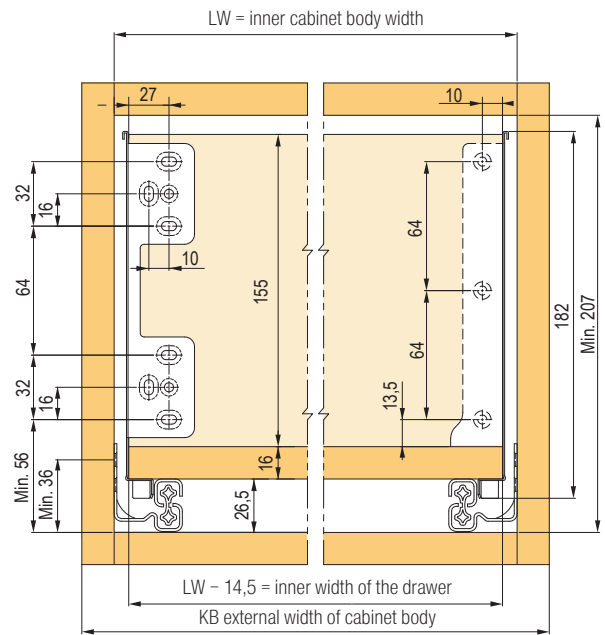
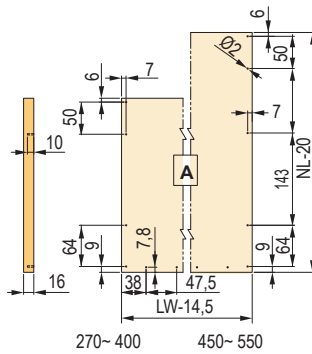
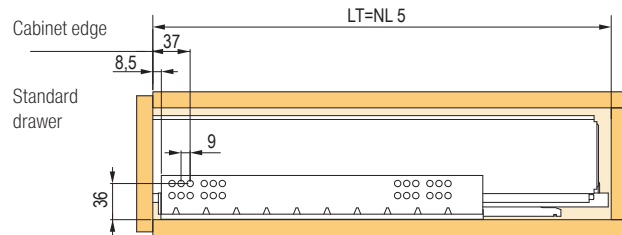
- NL = nominal slide length
- NL - 20 = base length
- NL + 5 = recommended minimum cabinet body depth
- LW = inner cabinet body width
- LW - 14.5 = inner width of the drawer
- KB = inner cabinet body width

Mounting dimensions (mm)



Nominal runner length = NL

Inner cabinet depth = LT



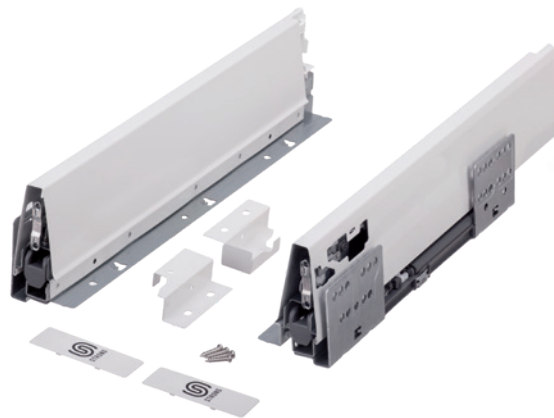
Complete sets for the drawer

length NL (mm)	white	grey	titanium
270	179252	146752	×
300	179253	146753	×
350	179254	146754	×
400	179255	146755	×
450	179256	146756	400301
500	179257	146757	400302
550	179258	146758	×

- load capacity 35 kg
- the maximum recommended width of the drawer is 1.6 times the length of the slide
- minimum inner height of the hole for the drawer installation is 105 mm
- horizontal and vertical front adjustment possible
- the cutlery tray width is 60 mm smaller than the inner cabinet body width and 26 mm shorter than the nominal drawer length (at 50 mm of cutlery tray height)
- for base thickness 16 mm

fittings for inner drawer p. 03.20

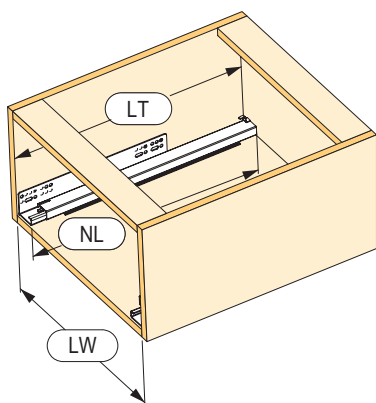
internal dividers, pp. 03.22-24



Set contains:

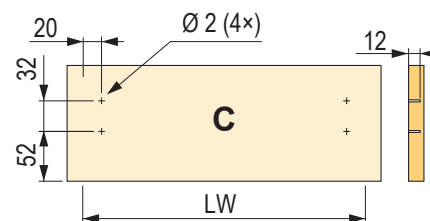
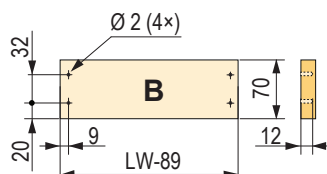
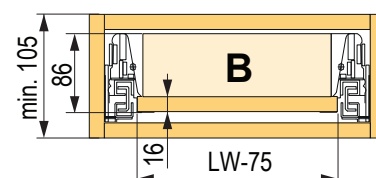
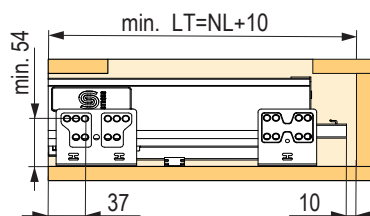
- side - L + R, slide - L + R, back holder - L + R
- front holder - 2x, cover cap with Strong logo - 2x
- front holder screws - 4x

Dimensional diagram



- NL = nominal slide length
- NL - 7 = base length
- NL + 10 = inner cabinet body depth
- LW = inner cabinet body width
- LW - 89 = rear panel width
- LW - 75 = base width

Cutting dimensions

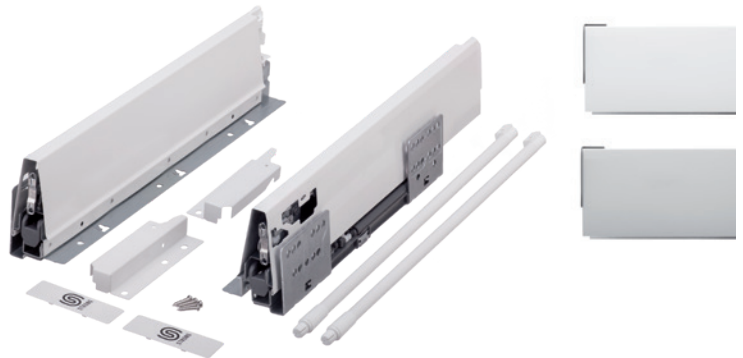


StrongBox 140 mm



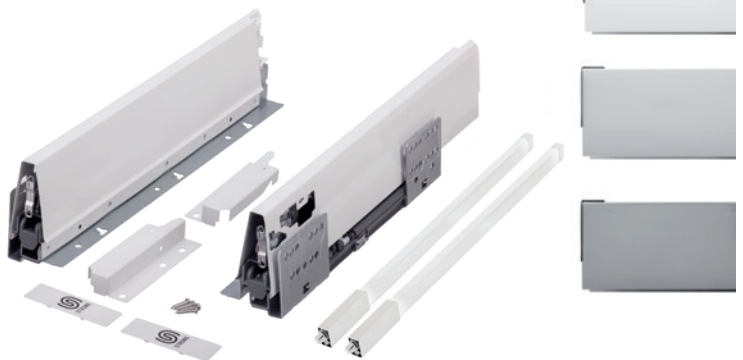
With round railing

length NL (mm)	white	grey
270	179259	146759
300	179260	146760
350	179261	146761
400	179262	146762
450	179263	146763
500	179264	146764
550	179265	146765



With square railing

length NL (mm)	white	grey	titanium
270	402576	402583	×
300	402577	402584	×
350	402578	402585	×
400	402579	402586	×
450	402580	402587	400290
500	402581	402588	400291
550	402582	402589	×

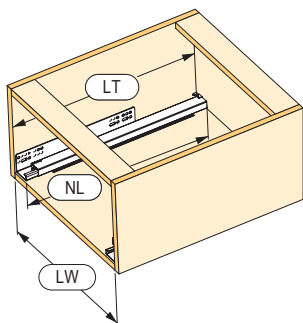


- load capacity 35 kg
- minimum inner height of the hole for the drawer installation is 165 mm
- horizontal and vertical front adjustment possible
- for base thickness 16 mm
- ☑ fittings for inner drawer p. 03.20
- ☑ internal dividers on pp. 03.22-24

Set contains:

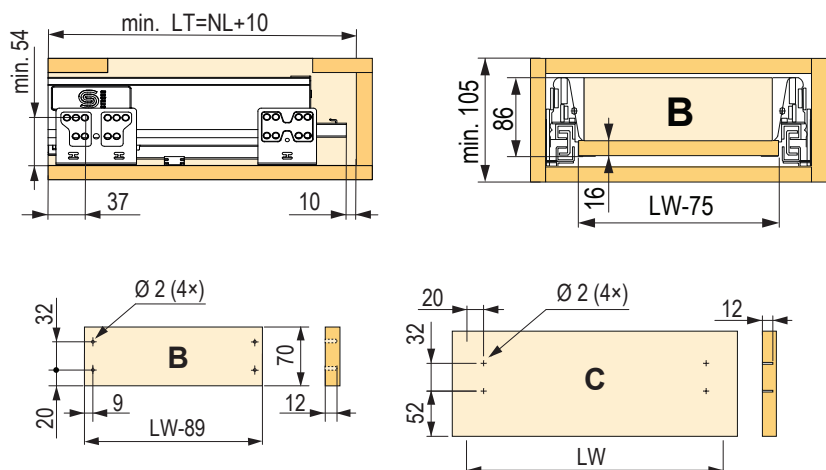
- side - L + R, slide - L + R, back holder - L + R
- front holder - 2x, upper railing - 1 pair, Strong logo cover cap - 2x
- screws for front holders - 4x

Dimensional diagram



NL = nominal slide length
 NL - 7 = base length
 NL + 10 = inner cabinet body depth
 LW = inner cabinet body width
 LW - 89 = rear panel width
 LW - 75 = base width

Cutting dimensions



☑ templates on p. 03.22

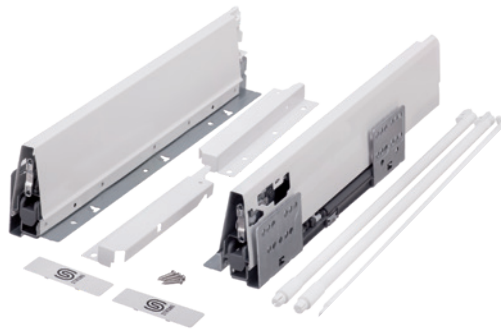
With one round railing

length NL (mm)	white	grey
270	276473	276474
300	276475	276476
350	276477	276478
400	276480	276481
450	276482	276483
500	276484	276485
550	276486	276487

- horizontal, vertical and front inclination adjustment by using railing
- minimum inner height of the hole for the drawer installation is 225 mm
- for base thickness 16 mm

fittings for inner drawer p. 03.20

raised sides and internal dividers on pp. 03.22-24


Set contains:

- side - L + R, slide - L + R, back holder - L + R
- front holder - 2x, upper railing - 1 pair, cover cap with Strong logo - 2x, front holder screws - 4x

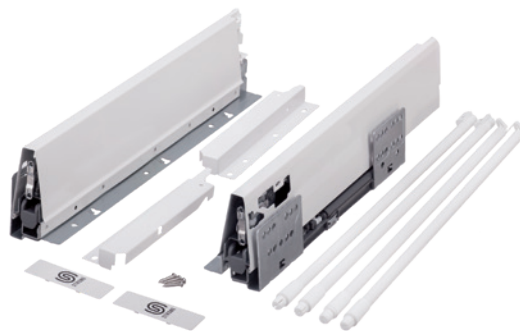
With two round railings

length NL (mm)	white	grey
270	179266	146768
300	179267	146769
350	179268	146770
400	179269	146771
450	179270	146772
500	179271	146773
550	179273	146774

- horizontal, vertical and front inclination adjustment by using railing
- minimum inner height of the hole for the drawer installation is 225 mm
- for base thickness 16 mm

fittings for inner drawer p. 03.20

raised sides and internal dividers on pp. 03.22-24


Set contains:

- side - L + R, slide - L + R, back holder - L + R
- front holder - 2x, upper railing - 1 pair, centre railing - 1 pair, cover cap with Strong logo - 2x, front holder screws - 4x

With one square railing

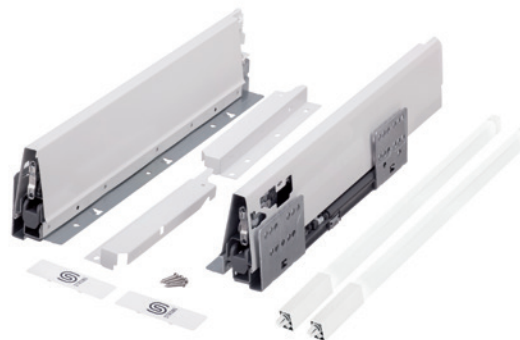
length NL (mm)	white	grey	titanium
270	404258	404265	x
300	404259	404266	x
350	404260	404267	x
400	404261	404268	x
450	404262	404269	402573
500	404263	404270	402574
550	404264	404271	x

- option of horizontal, vertical and front inclination adjustment by using railing
- minimum inner height of the hole for the drawer installation is 225 mm
- for base thickness 16 mm

fittings for inner drawer p. 03.20

raised sides and internal dividers on pp. 03.22-24

templates on p. 03.22


Set contains:

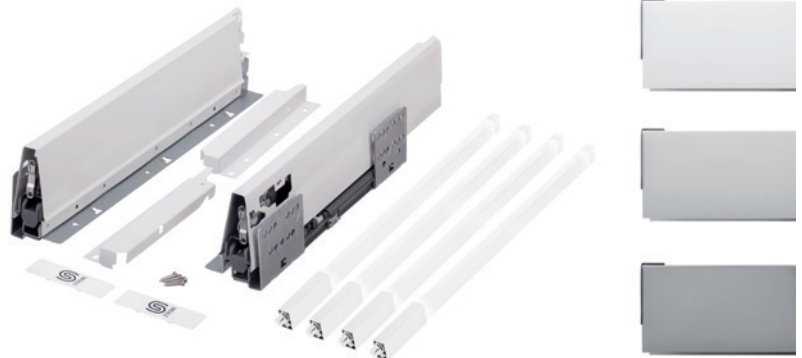
- side - L + R, slide - L + R, back holder - L + R
- front holder - 2x, upper railing - 1 pair, cover cap with Strong logo - 2x, front holder screws - 4x

StrongBox 204 mm



With two rectangular railings

length NL (mm)	white	grey
270	402590	402597
300	402591	402598
350	402592	402599
400	402593	402600
450	402594	402601
500	402595	402602
550	402596	402603

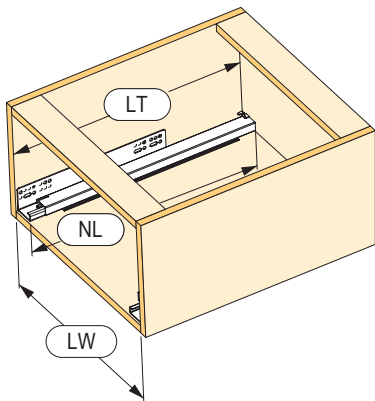


• the above notes apply

Set contains:

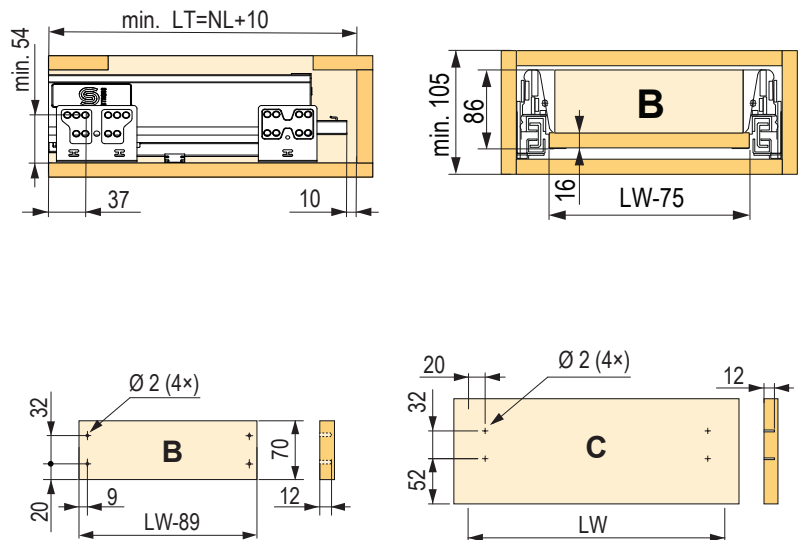
- side - L + R, slide - L + R, back holder - L + R
- front holder - 2x, upper railing - 1 pair, centre railing - 1 pair, cover cap with Strong logo - 2x, front holder screws - 4x

Dimensional diagram



NL = nominal slide length
 NL - 7 = base length
 NL + 10 = inner cabinet body depth
 LW = inner cabinet body width
 LW - 89 = rear panel width
 LW - 75 = base width

Cutting dimensions



ⓘ drill only one hole when using one railing

StrongBox – fittings for inner drawer

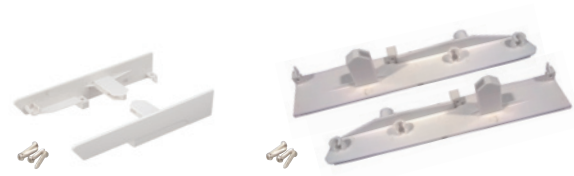
Front holder for inner drawer with round front railing

description	white	grey
H86	328812	179238
H140 with one railing	328811	179239
H204 with one railing	328814	179240
H204 with two railings	291439	293609



Front holder for inner drawer with rectangular front railing

description	white	grey
H86	328812	179238
H140 with one railing	328811	179239
H204 with one railing	402673	402674
H204 with two railings	402675	402676



Front profile, length 1 100 mm

white	grey	titanium
179235	179234	402667

- for all side heights (86, 140, 204 mm)
- profile length = inner cabinet body width – 87 mm



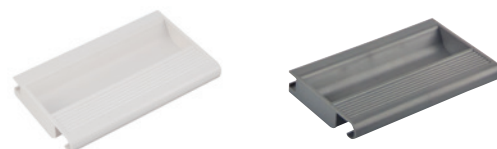
Rectangular front railing 1 100 mm

white	grey
402668	402669



Handle for inner drawer with round railing, height H204

white	grey
328820	179241



Complete sets of round side railing for raising the height of the drawer

length (mm)	grey		white	
	upper railing	centre railing	upper railing	centre railing
270	283738	283752	283739	283753
300	283740	283754	283741	283755
350	283742	283756	283743	283757
400	283744	283758	283745	283759
450	283746	283760	283747	283761
500	283748	283762	283749	283763
550	283750	283764	283751	283765

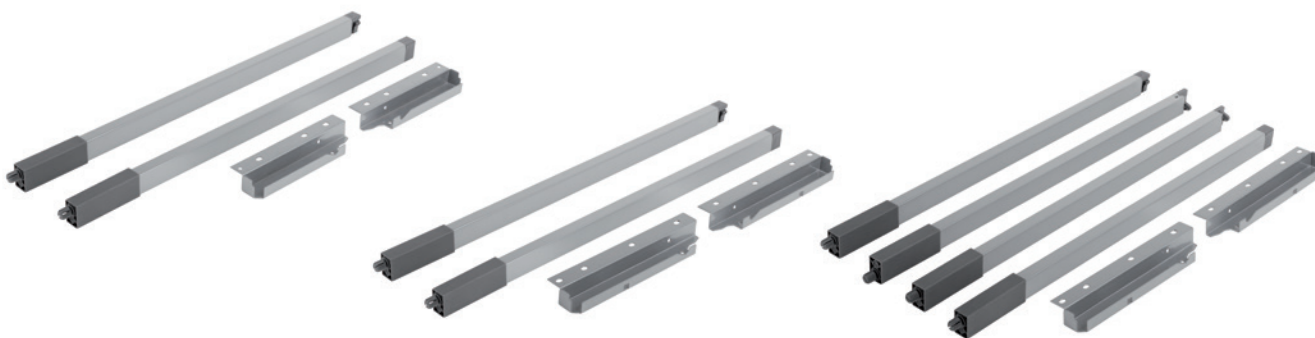


- complete set includes front fittings for screw fixing and rawlplug
- individual components of the complete set can also be ordered on our portal
- separate front railing holders for screw fixing
 - white 246699
 - grey 246700
- separate front holders for mounting with dowels
 - white 246795
 - grey 246796

Complete sets of longside rectangular railing to raise the drawer

length (mm)	height 140 mm		height 204 mm with one railing		height 204 mm with two railings	
	white	grey	white	grey	white	grey
270	402604	402611	402625	402632	402646	402653
300	402605	402612	402626	402633	402647	402654
350	402606	402613	402627	402634	402648	402655
400	402607	402614	402628	402635	402649	402656
450	402608	402615	402629	402636	402650	402657
500	402609	402616	402630	402637	402651	402658
550	402610	402617	402631	402638	402652	402659

- the set also includes rear clips
- to be combined with the 86 mm version of StrongBox

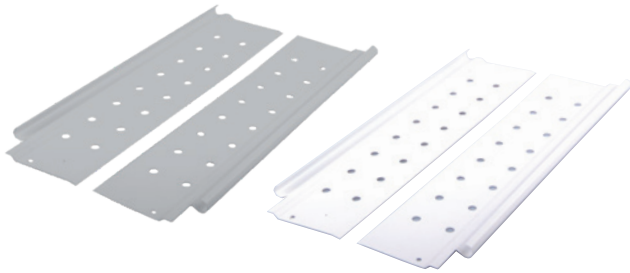


StrongBox – raised sides (round railing)

Raised sides, single

length (mm)	grey	white
450	×	179287
500	146814	179288

- suitable for StrongBox accessories, height 204 mm with one railing



Raised sides, double

length (mm)	grey	white
450	×	179278
500	146795	179279

- suitable for StrongBox accessories, height 204 mm with one railing



Front assembly template

code	description
179242	front marker

- for marking a assembly hole for the front assembly



Template for railings

code	description
179243	template for railing

- for measuring the holes for railing attachment



StrongBox inner – drawer division



Cross divider 1 100 mm

code	description
179250	white

- for cutting to size according to the cabinet body width (profile length = inner width of the cabinet body – 100 mm)
- profile height: 111 mm, thickness: 7 mm
- only in combination with a raised single or double side



Set of cross divider end pieces

code	description
328819	white

- for clipping on to the cross divider
- only in combination with a raised single or double side



Partition wall for cross divider

code	description
179281	white

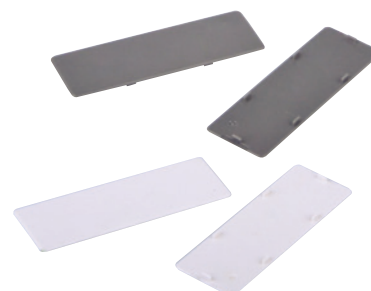
- for better overview and organisation of high drawers
- assembly by clipping on to the cross divider



Blank cover cap with printing option

code	colour
363035	grey
363033	white

- cover cap print available on request
- price list on request



StrongBox inner – drawer division

Cross and longside round railing, length 1 100 mm

code	colour
179244	white
179245	grey

- railing for cutting to size for inner division or for inner drawer with a height of 204 mm with handle
- length of railing for inner division = inner cabinet body width – 60 mm
- length of railing for inner drawer with a height of 204 mm = inner cabinet body width – 71 mm



Cross and longside rectangular railing, length 1 100 mm

code	colour
402677	white
402678	grey



Fixing bracket for round cross railing

code	description
328824	white
179246	grey

- for attaching cross railing to longside railing



Fixing bracket for rectangular cross railing

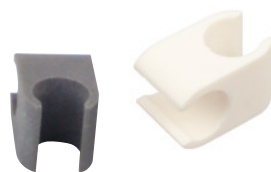
code	colour
402680	white
402681	grey

- for attaching cross railing to longside railing



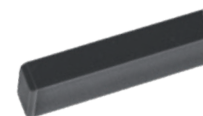
Round cross railing divider connector

code	colour
328822	white
179247	grey



Angular lateral railing end cap

code	colour
359828	white
359827	grey



Round lateral railing end cap

code	colour
328818	white
179248	grey



StrongRide 3D concealed with soft closing, with synchronised movement



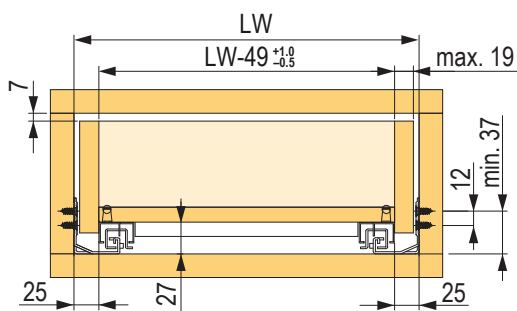
Full extension slides including front fittings

code	length NL (mm)
334991	300
334992	350
334993	400
334994	450
334995	500
334996	550

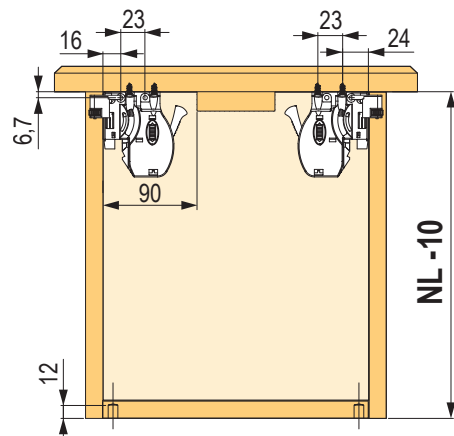


- material thickness of sides up to 19 mm
- horizontal drawer adjustment ± 2 mm, vertical 0 to +3 mm
- possibility of depth adjustment 0 to +3 mm
- the maximum recommended width of the drawer is 1.6 times the length of the slide

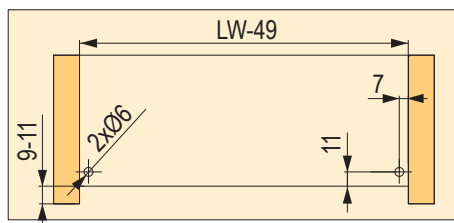
Drawer and cabinet body width



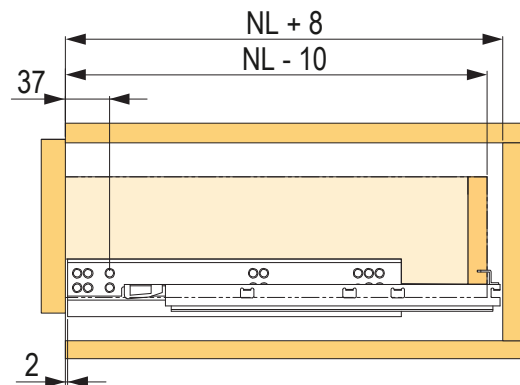
Positioning of front clips



Holes for rear front panel



Drawer and cabinet body depth



Drawer dimensions and drilling

- NL = nominal slide length
- NL - 10** = external drawer depth
- NL + 8 = recommended min., cabinet body depth
- LW = inner cabinet body width
- LW - 49 = inner width of the drawer

StrongRide 3D concealed with soft closing

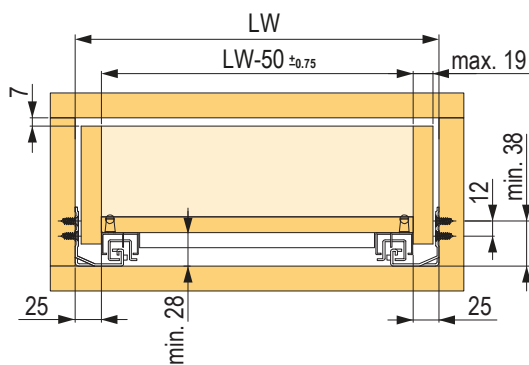
Full extension slides including front fittings

code	length NL (mm)
238136	300
238140	350
238141	400
238142	450
238143	500
238144	550

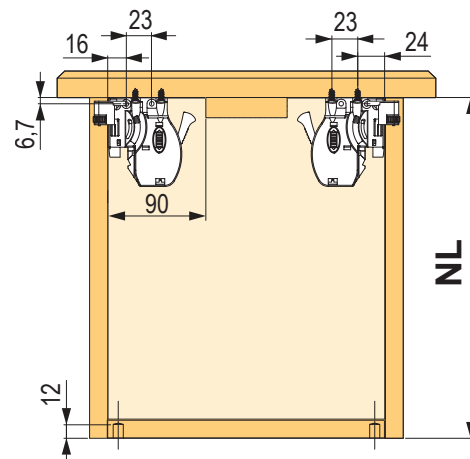


- load capacity 30 kg
- material thickness of sides up to 19 mm
- drawer adjustment horizontally ± 2 mm, vertically 0 to + 3 mm
- possibility of depth adjustment 0 to +3 mm
- the maximum recommended width of the drawer is 1.6 times the length of the slide

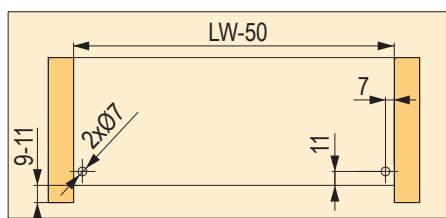
Drawer and cabinet body width



Positioning of front clips



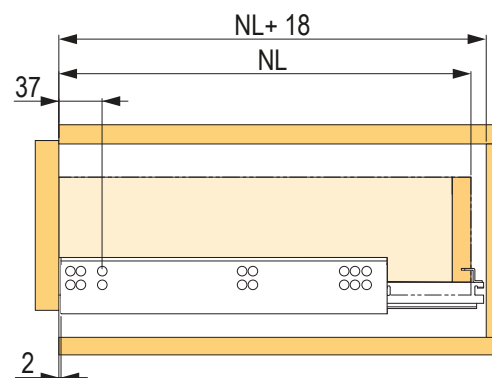
Holes for rear front panel



Drawer dimensions and drilling

- NL = nominal slide length and also outer depth of the drawer
- NL + 8 mm = recommended minimum cabinet body depth
- LW = inner cabinet body width
- LW - 49 = inner width of the drawer

Drawer and cabinet body depth



StrongRide 2D concealed (handleless opening) with synchronised movement



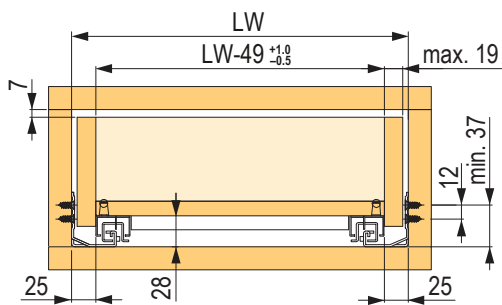
Full extension slides including front fittings

code	length NL (mm)
399221	300
399222	350
399223	400
399224	450
399225	500
399226	550

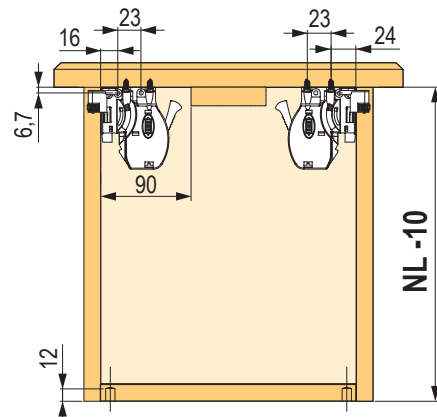


- load capacity 35 kg
- material thickness of sides up to 19 mm
- drawer adjustment horizontally ± 2 mm, vertically 0 to + 3 mm
- the maximum recommended width of the drawer is 1.2 times the length of the slide

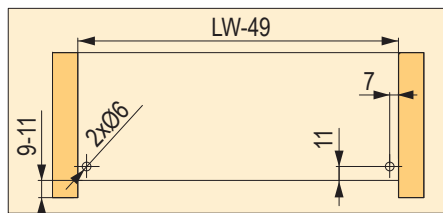
Drawer and cabinet body width



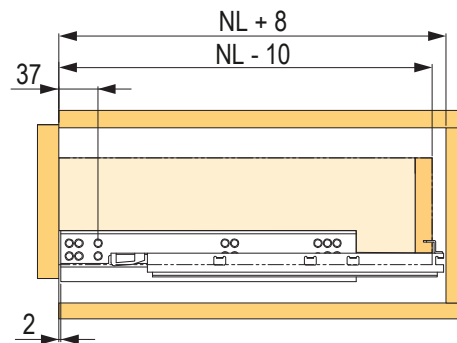
Positioning of front clips



Holes for rear front panel



Drawer and cabinet body depth



Drawer dimensions and drilling

- NL = nominal slide length
- NL - 10 = external drawer depth
- NL + 8 mm = recommended minimum cabinet body depth
- LW = inner cabinet body width
- LW - 49 = inner width of the drawer

StrongRide 2D concealed partial with soft closing

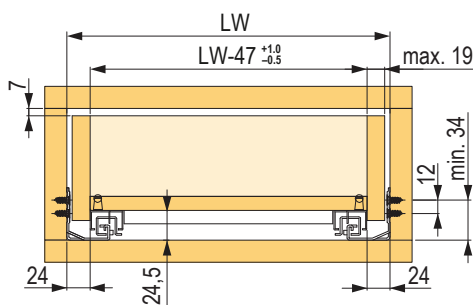
Partial extension slides including front fittings

code	length NL (mm)
254774	300
254775	350
254776	400
254777	450
254778	500
254779	550

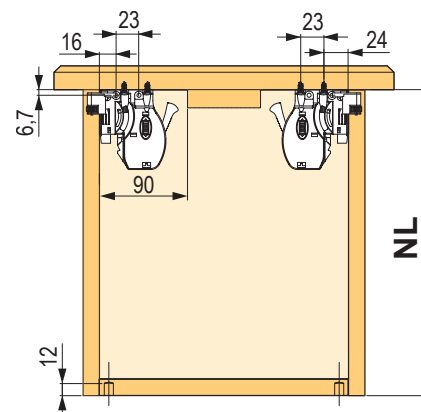


- load capacity 25 kg
- material thickness of sides up to 19 mm
- drawer adjustment horizontally ± 2 mm, vertically 0 to + 3 mm
- the maximum recommended width of the drawer is 1.6 times the length of the slide

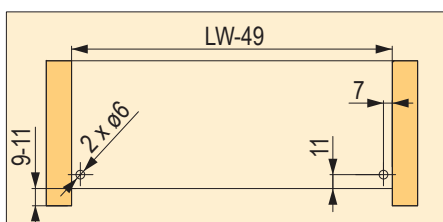
Drawer and cabinet body width



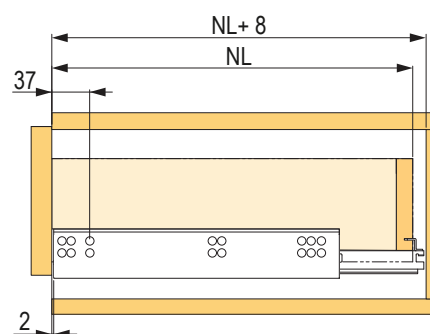
Positioning of front clips



Holes for rear front panel



Drawer and cabinet body depth



Drawer dimensions and drilling

- NL = nominal slide length and also outer depth of the drawer
- NL + 8 mm = recommended minimum cabinet body depth
- LW = inner cabinet body width
- LW - 47 = inner width of the drawer

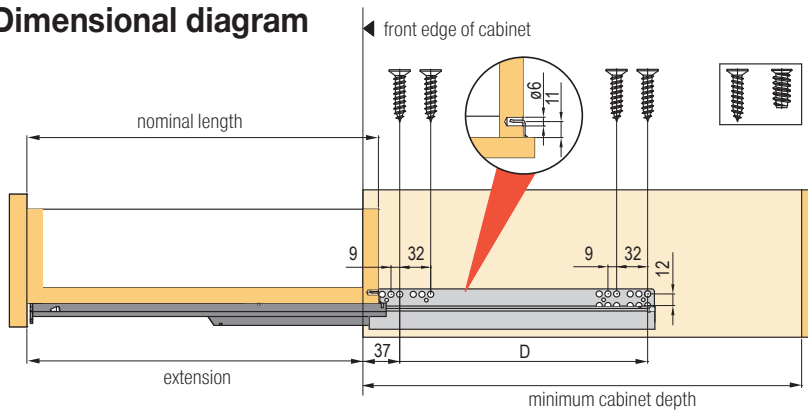
Slide systems including front fitting

length NL (mm)	partial extension slide	full extension slide
270	541775	541782
300	541776	541783
350	541777	541784
400	541778	541785
450	541779	541786
500	541780	541787
550	541781	541788

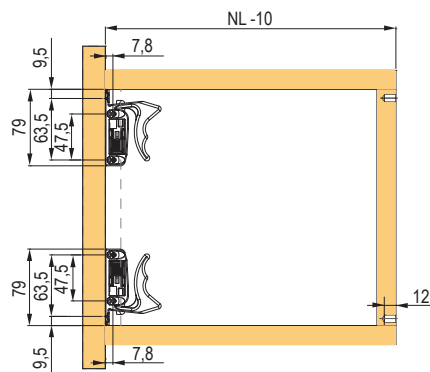
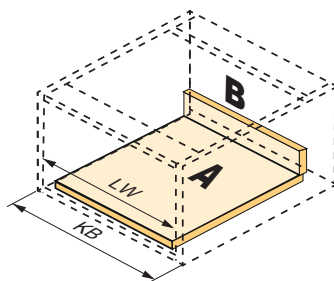
- load capacity partial extension is 25 kg, load capacity full extension is 30 kg
- material thickness for side panel manufacture up to 16 mm
- assembly diagram identical to STM



Dimensional diagram

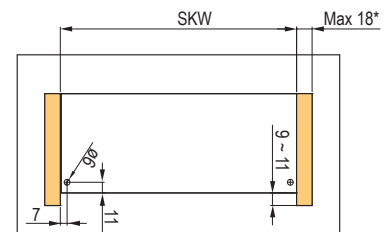
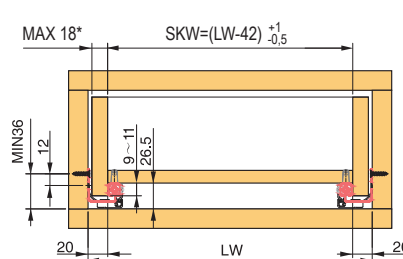


Standard drawer minimum cabinet depth = Nominal length NL + 13 mm
 Inner drawer minimum cabinet depth = Nominal length NL + 31 mm



Drawer dimensions and drilling (mm)

NL = nominal slide length,
 NL - 10 = base length,
 LT = NL + 5 = recommended minimum cabinet body depth,
 LW = inner cabinet body width,
 SKW = LW - 42 = inner width of the drawer
 sides thickness 18 mm



Installation for drawer with maximum side thickness of 16 mm
 LW = internal width of cabinet body
 SKW = internal width of drawer"

* - side panel thickness max. 18 mm

Mini slide with maxi performance



StrongRide Uni, the concealed slide that defies expectations:
Handles fully wooden drawers, StrongMini fittings, and StrongMax too.
You can try it out on the next page.

StrongBall S5 ball bearing 45 kg with soft closing



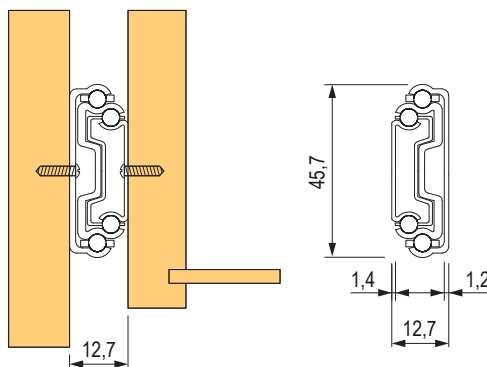
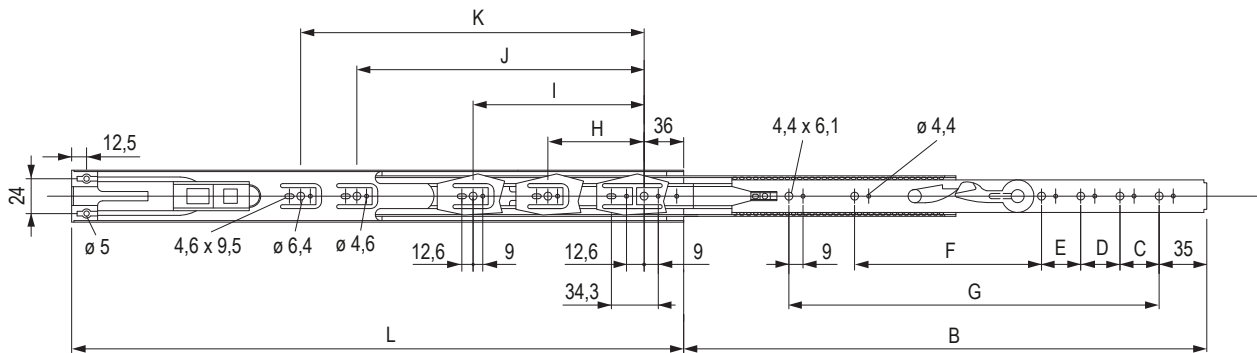
Full extension slides with side assembly

code	length (mm)
92001T	300
92002T	350
92003T	400
92004T	450
92005T	500
92006T	550
92007T	600
92008T	700



- quiet and smooth running
- load capacity up to 45 kg according to the slide length and drawer width
- in dimensions of up to 400 mm partial loss of sliding
- service life of more than 50 000 cycles
- the maximum recommended width of the drawer is 1.6 times the length of the slide
- the producer allows the possibility of flat assembly (the load capacity is then reduced to 25% of the original value)

L (mm)	load capacity (kg)	B (mm)	C (mm)	D (mm)	E (mm)	F (mm)	G (mm)	H (mm)	I (mm)	J (mm)	K (mm)
300	20	238	×	×	×	×	156	119	×	×	×
350	25	305	×	×	×	×	200	128	×	×	×
400	30	378	96	×	×	×	256	128	208	×	×
450	35	430	128	×	×	×	294	128	256	×	×
500	40	482	96	64	×	×	344	128	304	×	×
550	45	533	96	64	192	×	394	128	224	352	×
600	35	584	128	96	192	×	444	128	224	352	×
700	35	685	128	96	192	64	544	128	224	352	496



StrongBall S5 ball bearing 45 kg with soft closing

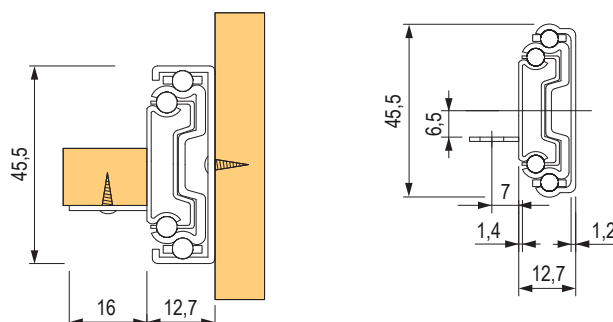
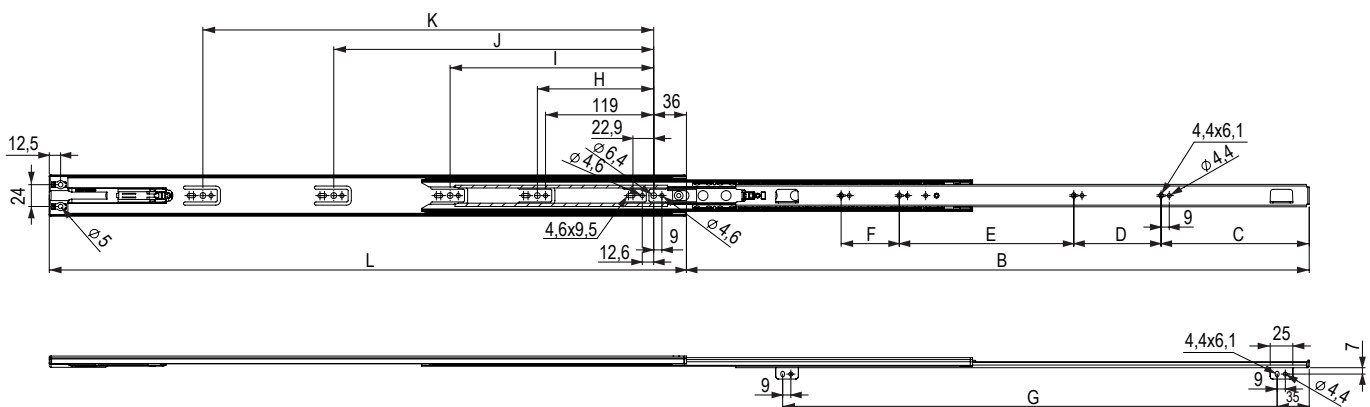
Full extension slides with assembly on the support

code	length (mm)
92011T	300
92012T	350
92013T	400
92014T	450
92015T	500
92016T	550
92017T	600
92018T	700



- quiet and smooth running
- load capacity up to 45 kg according to the slide length and drawer width
- in dimensions of up to 400 mm partial loss of sliding
- service life of more than 50 000 cycles
- the maximum recommended width of the drawer is 1.6 times the length of the slide

L (mm)	load capacity (kg)	B (mm)	C (mm)	D (mm)	E (mm)	F (mm)	G (mm)	H (mm)	I (mm)	J (mm)	K (mm)
300	20	237	x	x	x	x	156	x	x	x	x
350	25	303	x	x	x	x	200	128	x	x	x
400	30	378	131	x	x	x	250	128	208	x	x
450	35	430	163	x	x	x	294	128	256	x	x
500	40	482	131	64	x	x	344	128	304	x	x
550	45	533	131	64	192	x	394	128	224	352	x
600	35	584	163	64	192	x	444	128	224	352	x
700	35	685	163	96	192	64	544	128	224	352	496



StrongBall S5 ball bearing 75 kg with soft closing



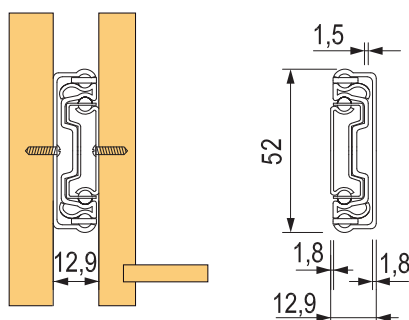
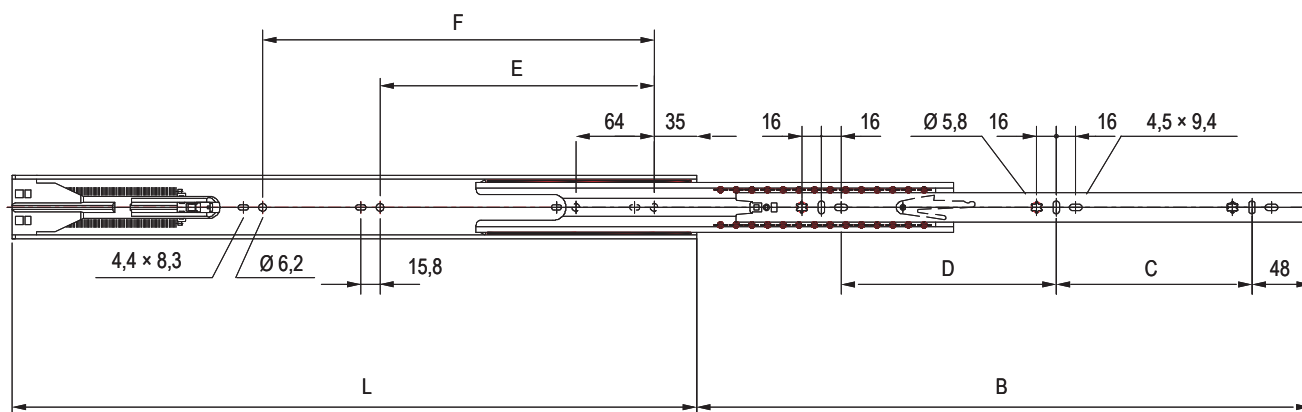
Full extension slides with side assembly

code	length (mm)
92032T	510
92033T	560
92034T	610
92035T	660
92036T	710



- side assembly
- quiet and smooth running
- load capacity up to 75 kg according to the slide length and drawer width
- service life of more than 50 000 cycles
- slide height 52 mm
- the maximum recommended width of the drawer is 1.6 times the length of the slide

L (mm)	load capacity (kg)	B (mm)	C (mm)	D (mm)	E (mm)	F (mm)
510	70	453	128	144	256	×
560	65	502	160	176	224	320
610	60	552	192	176	224	352
660	60	604	192	208	224	416
710	55	651	240	240	224	416



StrongBall S5 ball bearing 45 kg with push mechanism

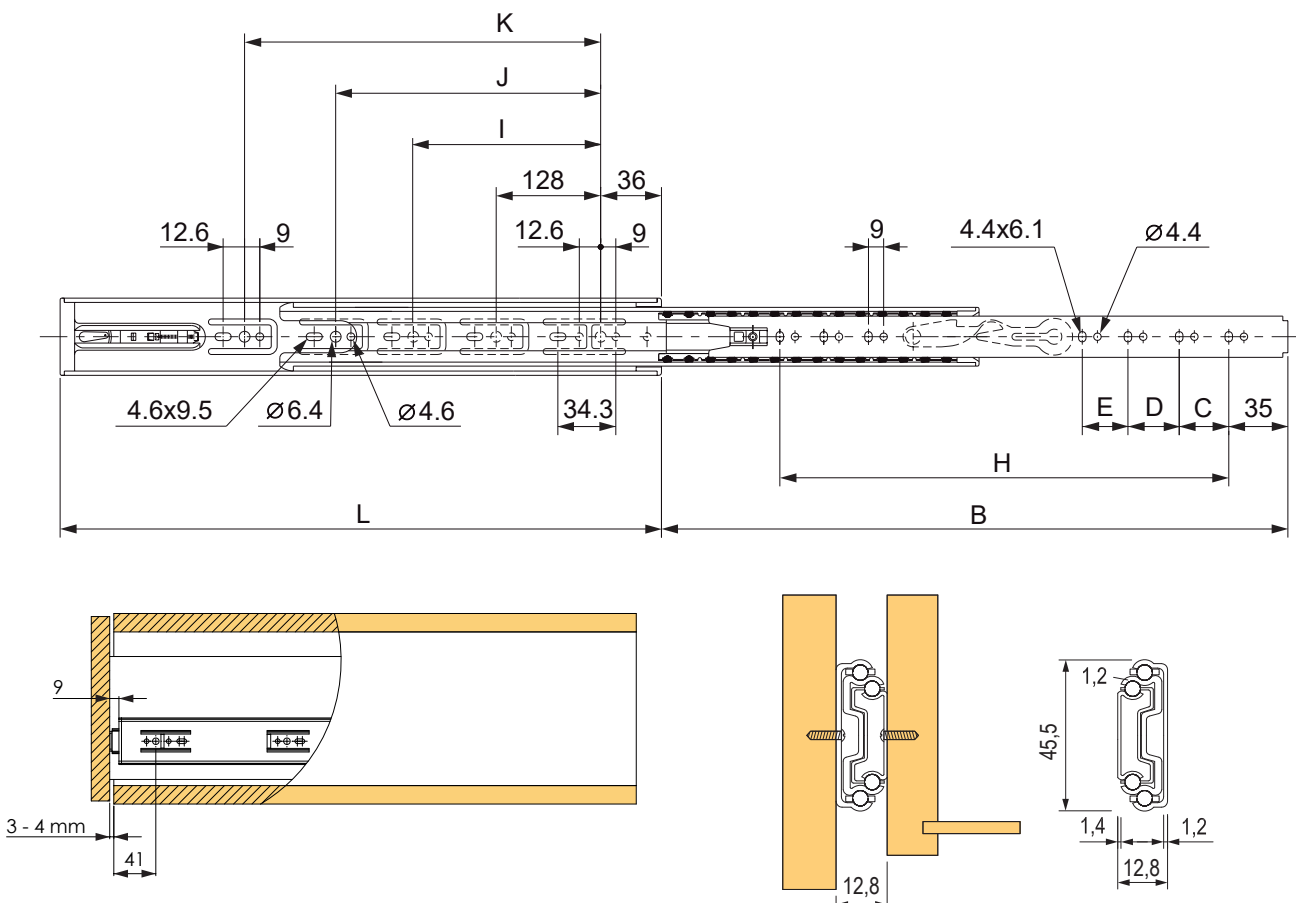
Full extension slides KICK – for handleless opening

code	length (mm)
132269	350
132270	400
132271	450
132272	500
132273	550
132274	600



- ball bearing full extension slide with push (handleless) mechanism
- load capacity up to 45 kg
- a gap of 3–4 mm is required to activate the PTO mechanism
- service life of more than 50 000 cycles
- high-quality push mechanism, reliable and long-term operation
- the maximum recommended width of the drawer is 1.2 times the length of the slide

L (mm)	minimum internal clearance (mm)	load capacity (kg)	B (mm)	C (mm)	D (mm)	E (mm)	H (mm)	I (mm)	J (mm)	K (mm)
350	360	35	356	96	×	×	256	192	×	×
400	410	40	406	128	×	×	294	224	×	×
450	460	45	457	96	64	×	344	288	×	×
500	510	45	508	96	64	192	394	224	352	×
550	560	40	559	128	64	192	444	224	352	448
600	610	40	610	128	96	192	494	224	352	480



StrongBall S5 ball bearing without soft closing with load capacity up to 120 kg



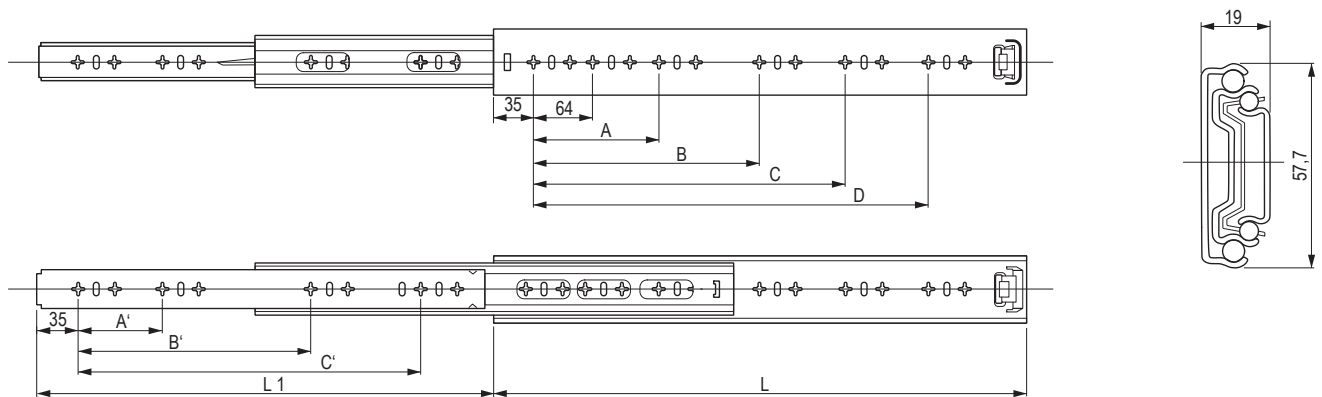
Full extension slides with side assembly

code	length (mm)
92040	800
92042	900
399181	1000
399182	1200



- side assembly
- quiet and smooth running
- load capacity up to 120 kg according to the slide length and drawer width
- service life of more than 30 000 cycles
- to achieve a service life of 50 thousand cycles, the load capacity is reduced by 20%
- slide height 57.7 mm

L (mm)	load capacity (kg)	L1 (mm)	A (mm)	B (mm)	C (mm)	D (mm)	A' (mm)	B' (mm)	C' (mm)
800	120	800	192	384	544	672	224	480	672
900	110	900	192	448	608	768	224	512	768
1000	100	1000	224	512	672	864	256	576	864
1200	90	1200	224	512	768	1024	256	608	992



StrongBall S5 ball bearing without soft closing

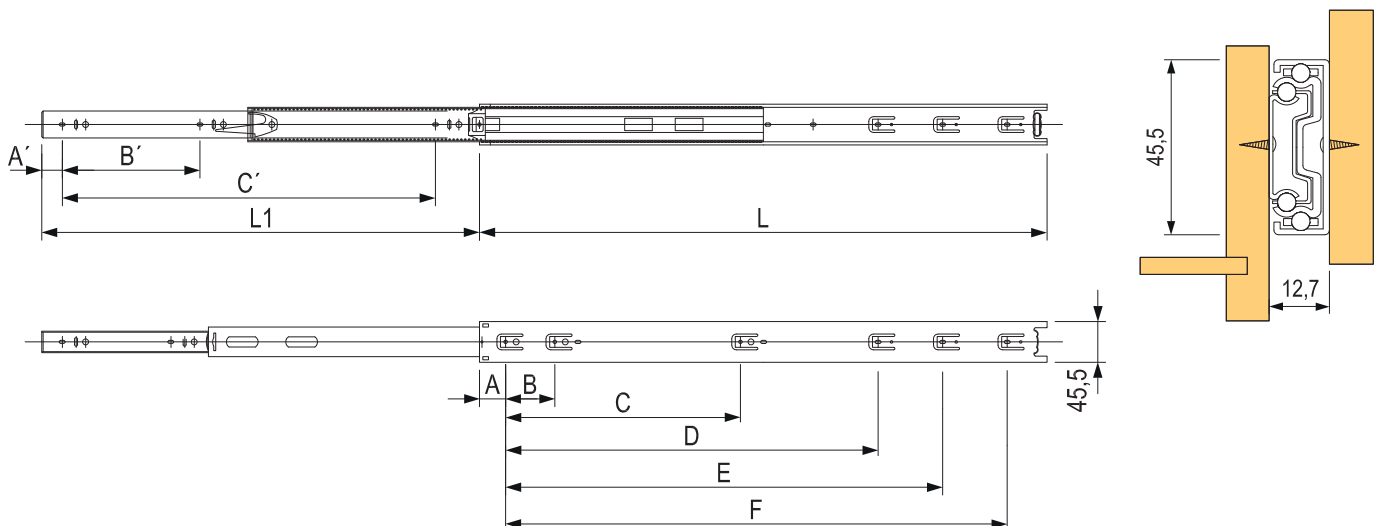
Full extension slides with side assembly

code	length (mm)
92000	250
92001	300
92002	350
92003	400
92004	450
92005	500
92006	550
92007	600
92008	650
92009	700
92010	800



- quiet and smooth running
- load capacity up to 45 kg according to the slide length and drawer width
- service life of more than 50 000 cycles
- the maximum recommended width of the drawer is 1.6 times the length of the slide

L (mm)	load capacity (kg)	L1 (mm)	A (mm)	B (mm)	C (mm)	D (mm)	E (mm)	F (mm)	A' (mm)	B' (mm)	C' (mm)
250	15	250	35	×	×	×	×	160	35	×	160
300	20	300	35	64	224	×	×	×	35	96	192
350	25	350	35	64	224	×	×	×	35	128	256
400	30	400	35	64	224	288	×	×	35	128	320
450	35	450	35	64	224	352	×	×	35	160	352
500	40	500	35	64	224	352	416	×	35	192	416
550	45	550	35	64	224	352	416	×	35	224	448
600	35	600	35	64	224	352	480	×	35	224	512
650	35	650	35	64	224	352	512	×	35	256	544
700	35	700	35	64	224	352	480	608	35	288	608
800	30	800	35	64	224	352	480	672	35	256	704

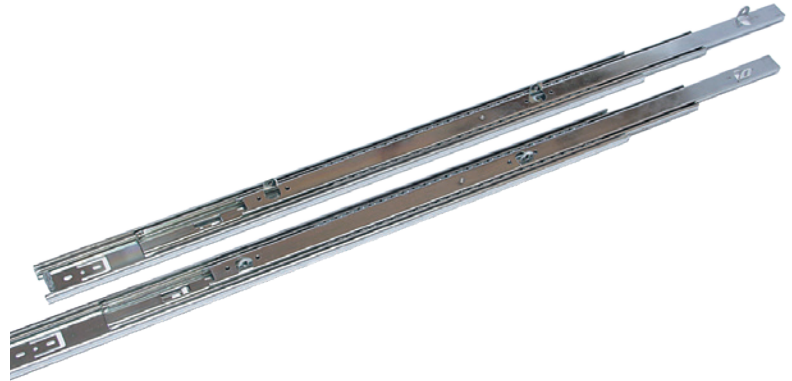


StrongBall S5 ball bearing without soft closing



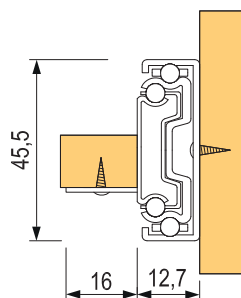
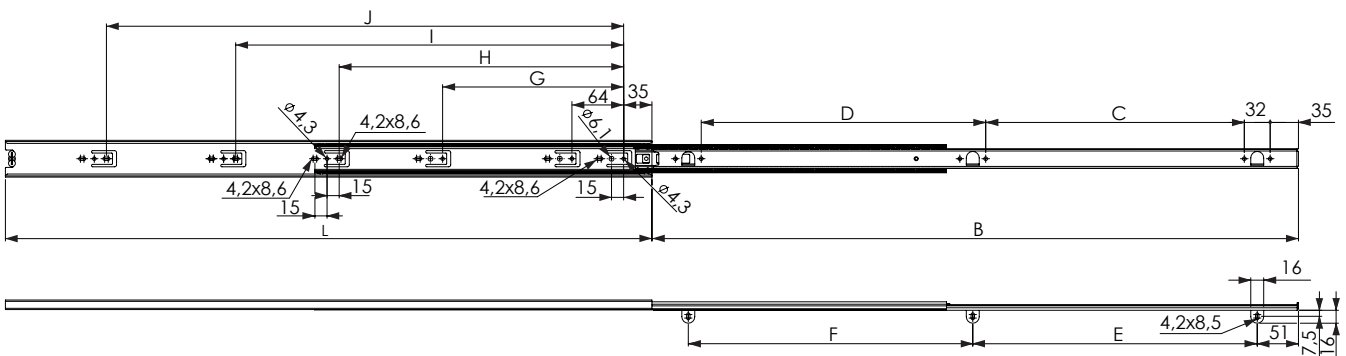
Full extension slides with assembly on the support

code	length (mm)
92011	300
92012	350
92013	400
92014	450
92015	500
92016	550
92017	600
92018	700
92019	800



- quiet and smooth running
- load capacity up to 45 kg according to the slide length and drawer width
- service life of more than 50 000 cycles
- the maximum recommended width of the drawer is 1.6 times the length of the slide

L (mm)	load capacity (kg)	B (mm)	C (mm)	D (mm)	E (mm)	F (mm)	G (mm)	H (mm)	I (mm)	J (mm)
300	20	300	160	×	192	×	×	224	×	×
350	25	350	192	×	224	×	×	224	×	×
400	30	400	128	160	160	160	×	224	288	×
450	35	450	128	192	160	192	×	224	352	×
500	40	500	160	224	192	224	224	352	416	×
550	45	550	192	224	224	224	224	352	416	×
600	35	600	224	256	256	256	224	352	484	×
700	35	700	256	320	288	320	224	352	480	608
800	30	800	320	352	352	352	224	352	480	640

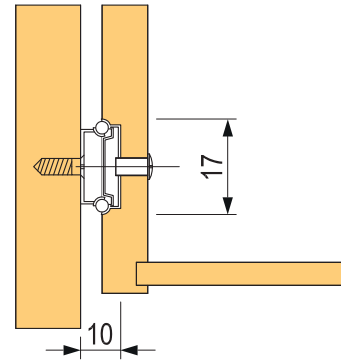


StrongBall S5 ball bearing mini and keyboard

Partial extension slide

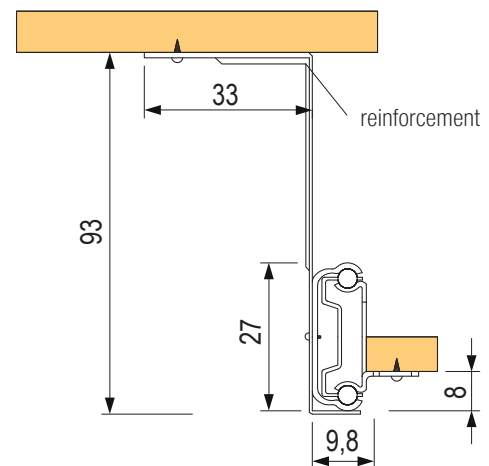
code	length (mm)	sliding (mm)	length loss (mm)
92601	182	133	49
92602	214	141	73
92603	278	202	76
92604	342	213	129
92605	406	294	112

- load capacity 10 kg / pair
- assembly into a groove 17 mm, milled in the drawer
- slide secured in groove with an M4 bolt



Under the keyboard

code	description
92050	350 mm, load capacity 15 kg, black



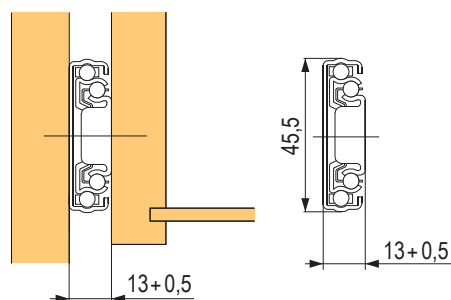
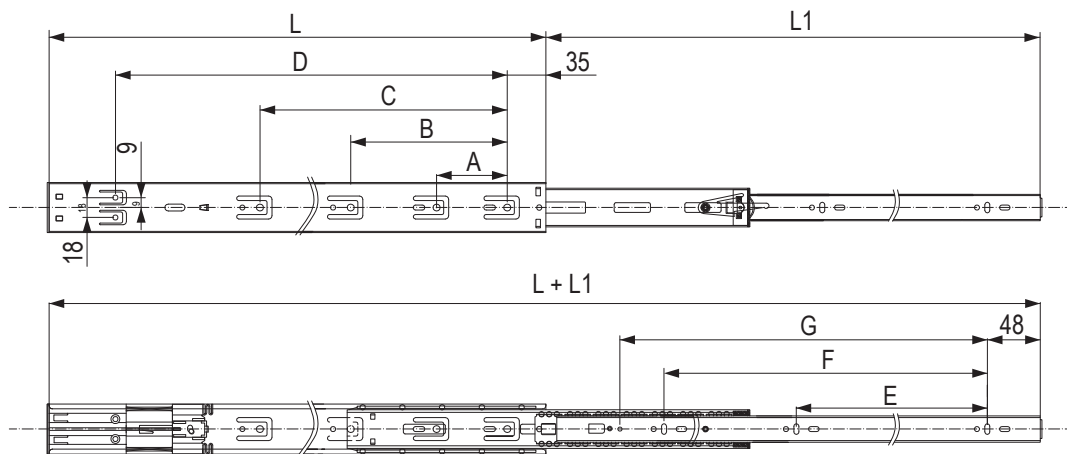
Full extension slides with side assembly

zinc	black	length (mm)
502760	502767	300
502761	502768	350
502762	502769	400
502763	502770	450
502764	502771	500
502765	502772	550
502766	502773	600



- side assembly
- load capacity up to 35 kg
- partial loss of slide only for 300 and 350 mm slides
- tested to 50 000 cycles
- the maximum recommended width of the drawer is 1.6 times the length of the slide
- 2 colour versions

L (mm)	load capacity (kg)	sliding length (mm)	A (mm)	B (mm)	C (mm)	D (mm)	E (mm)	F (mm)	G (mm)
300	25	283	64	128	×	225	64	×	163,5
350	30	347	64	192	×	275	96	×	213,5
400	35	400	64	160	×	305	160	×	243,5
450	35	450	64	160	224	355	160	×	293,5
500	35	500	64	192	288	405	192	×	343,5
550	30	550	64	224	320	455	192	352	393,5
600	25	600	64	256	384	505	224	384	443,5



StrongBall S3 ball bearing push with soft closing 35 kg

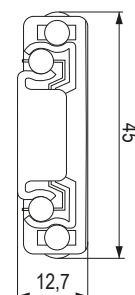
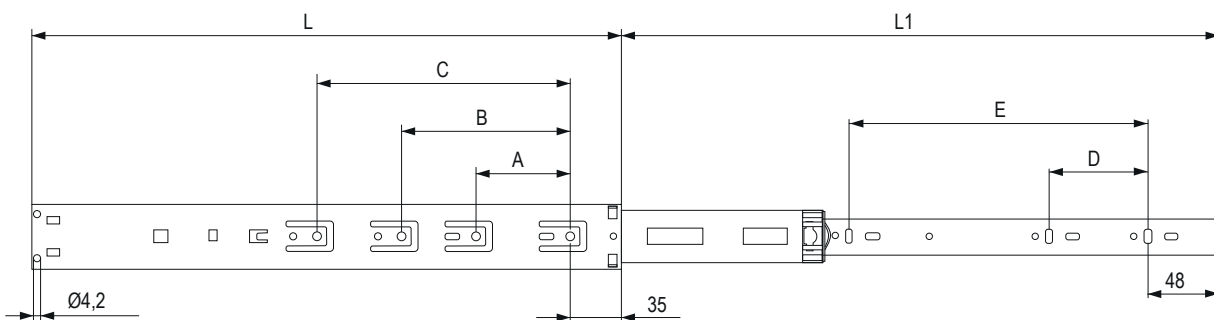
Full extension slides with side assembly

zinc	black	length (mm)
502752	502744	250
502753	502745	300
502754	502746	350
502755	502747	400
502756	502748	450
502757	502749	500
502758	502750	550
502759	502751	600



- ball bearing slide with soft closing
- load capacity up to 35 kg
- push activation requires a gap of 3-4 mm
- tested to 50 000 cycles
- unique combination of slide movement with easy assembly and installation
- the maximum recommended width of the drawer is 1.2 times the length of the slide

L (mm)	load capacity (kg)	L1 (mm)	A (mm)	B (mm)	C (mm)	D (mm)	E (mm)
250	20	245	64	×	×	×	×
300	25	295		×	×	×	×
350	30	310		128	×	96	×
400	35	383		160	×	160	×
450	35	450		224	×	192	×
500	35	500		192	256	160	×
550	30	550		224	320	192	352
600	25	600		256	352	192	384



StrongRoll roll runner and roll runner with side, 25 kg



Roll runner

length (mm)	white	black	AV (mm)
250	91708	×	87
300	91701	91720	87
350	91702	91721	87
400	91703	91722	97
450	91704	91723	97
500	91705	91724	97
550	91706	×	117
600	91707	×	117



Roll runner with side

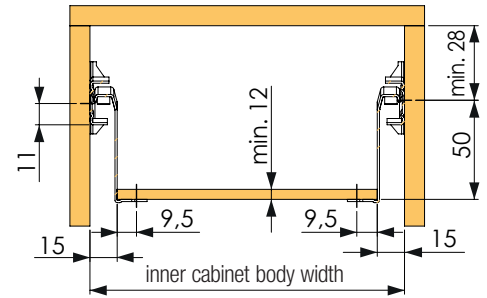
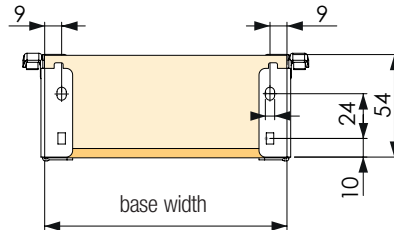
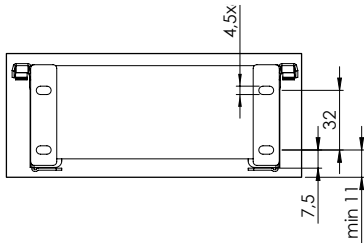


height (mm)		54		86		118		150		railing	
		grey	white	grey	white	grey	white	grey	white	grey	white
length (mm)	270	×	×	286656	286646	×	×	×	×	×	×
	300	×	×	×	286647	×	×	×	286624	×	×
	350	×	×	286660	286648	×	×	×	286625	×	×
	400	×	286676	286658	286649	×	286652	×	286626	×	286629
	450	286674	286672	286631	286638	×	286653	286633	286640	×	286642
	500	286675	286673	286632	286639	×	286654	286634	286641	286636	286644
	550	×	×	×	286650	×	286655	×	286627	×	×

- railing assembly in the front using dowels \varnothing 10 mm
- faster drawer assembly compared to using classic roll runner slides

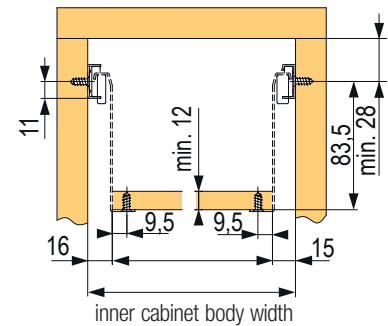
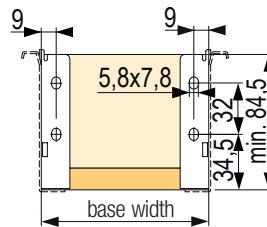
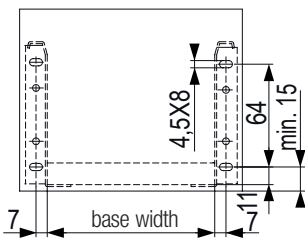
StrongRoll roll runner with side

H54



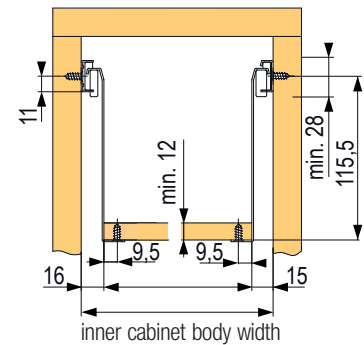
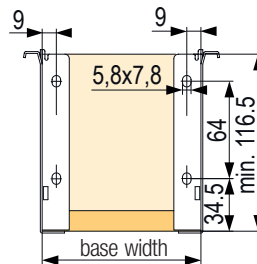
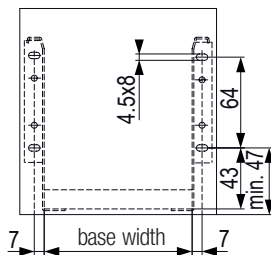
base = (NL-2) × (LW-31) / back = (H-15) × (LW-31)''

H86



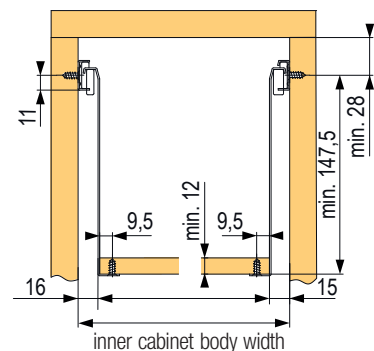
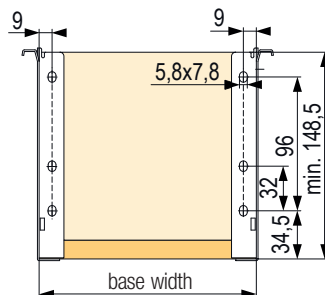
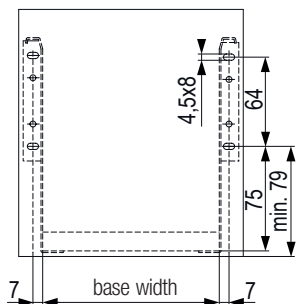
base = (NL-2) × (LW-31) / back = (H-15) × (LW-31)''

H118



base = (NL-2) × (LW-31) / back = (H-15) × (LW-31)''

H150



base = (NL-2) × (LW-31) / back = (H-15) × (LW-31)''

Strong marking template

For installation of drawers in the cabinet body

code

396273

- material stainless steel
- bidirectional use
- the holes on the front are intended to indicate the position of the hole for the rear mandrel from the StrongRide slides
- can be used to mark holes for drilling the hinge washers
- designed for slides:
 - StrongMax/
 - StrongBox
 - Strongride / StrongRide Uni
 - Strong ball bearing slides
 - Strong roll runner slides with or without a side



marking template



Examples of use:

- marking of drilling hole for the mandrel of Strong concealed slides



Examples of use:

- marking of drilling holes for StrongMax, StrongRide slides



Washer

code

503409

- reduction for 18 mm sides to 16 mm worktop material
- 6 pcs are needed for 1 drawers





**slides
with thin side
panel**

LEGRABOX complete sets	silky white (SW-M) 03.75 Orion grey (OG-M) 03.79 Carbon black (CS-M) 03.83 stainless steel (Inox) 03.87
LEGRABOX individual components	03.89



**with
side panel**

Tandembox Antaro complete sets	silky white 03.47 grey (RAL 9006) 03.49
Tandembox Antaro – individual components	03.55
Merivobox complete sets	white silk matt 03.63 Indium matt grey 03.65 Orion matt 03.67
Merivobox individual components	03.69



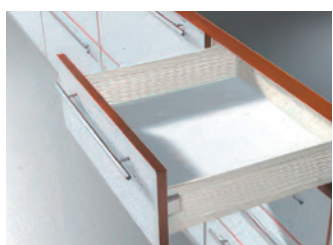
**handleless
opening**

Amperos AC	03.61
SERVO-DRIVE	03.95



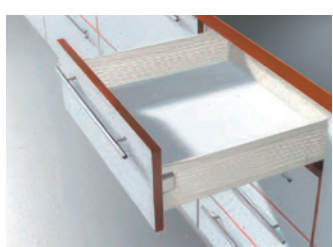
**concealed
slides**

Movento	03.99
Movento Tip-on	03.100
Tandem with Blumotion	03.101
Tandem Tip-on	03.102



**roll runner
with raised side
panel**

METABOX	03.103
---------	---------------



**other
product range**

sink and corner solutions	03.53
fittings for thin doors	03.54
Space Tower and Twin	03.51
Space step	03.94
Cabloxx	03.59

TANDEMBOX ANTARO



TANDEMBOX ANTARO

Thanks to its time-proven technology, the TANDEMBOX system has been the cause of amazement and enthusiasm among furniture users and producers. We now introduce a new product assortment represented by TANDEMBOX ANTARO, characterised by a number of new design and arrangement options. TANDEMBOX ANTARO features a simple, straight, and clean design. Whether the drawer is open with a railing or closed with full side panels, the result is the same. In terms of colour design, all components are mutually harmonised. Clean and minimalist design, time-proven technology. That is TANDEMBOX ANTARO.

BLUMOTION

BLUMOTION system closes furniture softly and quietly. Yet the closing swing applied or the load extent of drawers do not play any role.

SERVO-DRIVE

Simply tap lightly on the handleless front or gently pull the handle, and the drawer opens automatically thanks to the SERVO-DRIVE electric system. Soft closing BLUMOTION is retained.

TIP-ON BLUMOTION

The TIP-ON BLUMOTION mechanical opening feature offers practical opening and closing comfort: just tap the front to open it. Then gently slide the drawer back to close it. The soft closing is elegant.

TANDEMBOX ANTARO drawer design

Cutting dimensions for 16 mm thick particle board

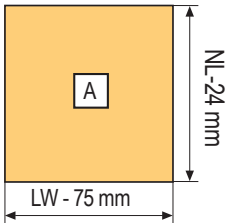
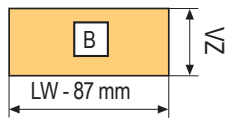
Explanatory notes:

LW Internal width of cabinet body
 NL Side depth
 VZ Rear panel height (chipboard)
 TOB TIP-ON BLUMOTION

Back height
 cutting for individual side heights

N	69 mm
M	84 mm
K	116 mm
C	167 mm
D	199 mm

Base and back



Inner drawer cutting

description	dimensions
front sheet metal	LW-132 mm
front cross railing	LW-122 mm

Synchronisation cutting (TOB)

description	dimensions
synchronisation linkage	LW-240 mm

Paint material

RAL colours are more distinctive due to a rough surface

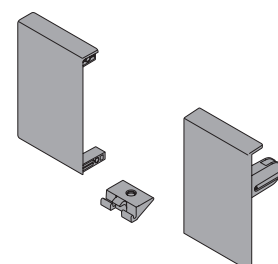
colour	description	RAL colour
grey (light aluminium)	R9006	RAL 9006
silky white	SW-M	RAL 9003



front fitting, screw-on



INSERTA front fittings



front fittings for inner drawer

TANDEMBOX ANTARO – silky white

Complete set of fittings for drawer

N	depth (mm) (NL)	load capacity (kg) type of slide	screw	INSERTA
			BLUMOTION, TOB	BLUMOTION, TOB
N	400	30	342363	342364
	450		344046	344048
	500		344047	344049
	550		342380	342381



- side height 68 mm • minimum height in the cabinet body 82.5 mm

M	depth mm (NL)	load capacity (kg) type of slide	screw	INSERTA	inner
			BLUMOTION, TOB	BLUMOTION, TOB	BLUMOTION, TOB
M	270	30	254400	254401	254398
	300		254404	254407	254405
	350		254410	254411	254413
	400		254416	254417	254419
	450	30	254422	254423	254425
		65	254440	254441	254443
	500	30	254428	254429	254431
		65	254446	254447	254449
	550	30	254434	254435	254437
		65	254452	254453	254455
	600	30	340761	340762	340763
		65	254458	254459	254461
650	65	254464	254465	254467	

- side height 83 mm • minimum height in the cabinet body 98.5 mm (136.5 mm for inner drawer, with handle 106 mm)

- the complete set includes everything for drawer assembly
- complete the TOB version with module and synchronisation
- must be selected according to the depth and weight of the whole drawer
- complete the inner drawer with front sheet metal

base and back cuttings, p. 03.46

K	depth mm (NL)	load capacity (kg) type of slide	screw	INSERTA	inner
			BLUMOTION, TOB	BLUMOTION, TOB	BLUMOTION, TOB
K	270	30	311405	311406	311407
	300		311417	311418	311420
	350		311426	311427	311428
	400		311432	311433	311434
	450	30	260538	260544	260550
		65	260539	260545	260551
	500	30	260541	260547	260553
		65	260542	260548	260554
	550	30	311478	311479	311480
		65	311481	311482	311483
	600	30	340882	340883	340885
		65	311487	311488	311489
650	65	310642	310646	310647	

- side height 115 mm • minimum height in the cabinet body 130.5 mm (136.5 mm for inner drawer)

base and back cuttings, p. 03.46

- the complete set includes everything for drawer assembly
- complete the TOB version with module and synchronisation
- must be selected according to the depth and weight of the whole drawer
- complete the inner drawer with front sheet metal

TANDEMBOX ANTARO – silky white

Complete set of fittings for drawer

C	depth mm (NL)	load capacity (kg) type of slide	screw	INSERTA	inner
			BLUMOTION, TOB	BLUMOTION, TOB	BLUMOTION, TOB
	270	30	254524	254525	254527
	300		254530	254531	254533
	350		254536	254537	254539
	400		254542	254543	254545
	450	30	254548	254549	254551
		65	254566	254567	254569
	500	30	254554	254555	254557
		65	254572	254573	254575
	550	30	254560	254561	254563
		65	254578	254579	254581
	600	30	340970	341380	341381
		65	254584	254585	254587
650	65	254590	254591	254593	

- the complete set includes everything for drawer assembly
- complete the TOB version with module and synchronisation
- must be selected according to the depth and weight of the whole drawer
- complete the inner drawer with front sheet metal and railing

base and back cuttings, p. 03.46

• side height 83 mm • minimum height in the cabinet body 192 mm

D	depth mm (NL)	load capacity (kg) type of slide	screw	INSERTA	inner
			BLUMOTION, TOB	BLUMOTION, TOB	BLUMOTION, TOB
	270	30	254650	254651	254653
	300		254656	254657	254659
	350		254662	254663	254665
	400		254668	254669	254671
	450	30	254674	254675	254677
		65	254692	254693	254695
	500	30	254680	254681	254683
		65	254698	254699	254701
	550	30	254686	254687	254689
		65	254704	254705	254707
	600	30	340822	340823	340824
		65	254710	254711	254713
650	65	254716	254717	254719	

- the complete set includes everything for drawer assembly
- complete the TOB version with module and synchronisation
- must be selected according to the depth and weight of the whole drawer
- complete the inner drawer with front sheet metal and railing

base and back cuttings, p. 03.46

TIP-ON BLUMOTION synchronisation

description	code	Blum code
synchronisation linkage	282277	T60.1125W

• side height 83 mm • minimum height in the cabinet body 228 mm

Set of modules for ANTARO TIP-ON BLUMOTION

length NL (mm)	weight ¹⁾ (kg)	code	Blum code
270 – 300	up to 10 kg	284454	T60B3030
	10–20 kg	282122	T60B3130
350 – 650	up to 20 kg	284455	T60B3330
	15–40 kg	282123	T60B3530
	35–65 kg	282124	T60B3560

¹⁾ including the weight of the drawer itself

❗ T60B3330 cannot be combined with slide with the 65 kg load capacity

12345 Item in stock

12345 Item on demand

Front parts for inner drawer

description	code	Blum code
sheet metal	IN114BB	Z31L1036A
handle	IN609B	ZIF.80M5
handle with latch	IN610B	ZIF.80M7
railing (for C and D)	IN115B	ZRG.1046Z

Complete set of fittings for drawer

N	depth (mm) (NL)	load capacity (kg) type of slide	screw	INSERTA
			BLUMOTION, TOB	BLUMOTION, TOB
N	400	30	342278	342359
	450		254384	254385
	500		254388	254389
	550		342376	342377



- side height 68 mm • minimum height in the cabinet body 82.5 mm

M	depth mm (NL)	load capacity (kg) type of slide	screw	INSERTA	inner
			BLUMOTION, TOB	BLUMOTION, TOB	BLUMOTION, TOB
M	270	30	254396	254399	254397
	300		254402	254403	254406
	350		254408	254409	254412
	400		254414	254415	254418
	450	30	254420	254421	254424
		65	254438	254439	254442
	500	30	254426	254427	254430
		65	254444	254445	254448
	550	30	254432	254433	254436
		65	254450	254451	254454
	600	30	340758	340759	340760
		65	254456	254457	254460
650	65	254462	254463	254466	

- side height 83 mm • minimum height in the cabinet body 98.5 mm (136.5 mm for inner drawer, with handle 106 mm)

- the complete set includes everything for drawer assembly
- complete the TOB version with module and synchronisation
- must be selected according to the depth and weight of the whole drawer
- complete the inner drawer with front sheet metal

 base and back cuttings, p. 03.46

K	depth mm (NL)	load capacity (kg) type of slide	screw	INSERTA	inner
			BLUMOTION, TOB	BLUMOTION, TOB	BLUMOTION, TOB
K	270	30	311239	311241	311242
	300		311246	311247	311248
	350		311252	311253	311254
	400		311260	311261	311262
	450	30	260520	260526	260532
		65	260521	260527	260533
	500	30	260523	260529	260535
		65	260524	260530	260536
	550	30	311384	311385	311386
		65	311389	311390	311391
	600	30	340879	340880	340881
		65	311395	311396	311398
650	65	310635	310636	310637	

- side height 115 mm • minimum height in the cabinet body 130.5 mm (136.5 mm for inner drawer)

- the complete set includes everything for drawer assembly
- complete the TOB version with module and synchronisation
- must be selected according to the depth and weight of the whole drawer
- complete the inner drawer with front sheet metal

 base and back cuttings, p. 03.46

Complete set of fittings for drawer

C	depth mm (NL)	load capacity (kg) type of slide	screw	INSERTA	inner
			BLUMOTION, TOB	BLUMOTION, TOB	BLUMOTION, TOB
C	270	30	254522	254523	254526
	300		254528	254529	254532
	350		254534	254535	254538
	400		254540	254541	254544
	450	30	254546	254547	254550
		65	254564	254565	254568
	500	30	254552	254553	254556
		65	254570	254571	254574
	550	30	254558	254559	254562
		65	254576	254577	254580
	600	30	340967	340968	340969
		65	254582	254583	254586
650	65	254588	254589	254592	

- side height 83 mm • minimum height in the cabinet body 192 mm

- the complete set includes everything for drawer assembly
- complete the TOB version with module and synchronisation
- must be selected according to the depth and weight of the whole drawer
- complete the inner drawer with front sheet metal and railing

📄 base and back cuttings, p. 03.46

D	depth mm (NL)	load capacity (kg) type of slide	screw	INSERTA	inner
			BLUMOTION, TOB	BLUMOTION, TOB	BLUMOTION, TOB
D	270	30	254648	254649	254652
	300		254654	254655	254658
	350		254660	254661	254664
	400		254666	254667	254670
	450	30	254672	254673	254676
		65	254690	254691	254694
	500	30	254678	254679	254682
		65	254696	254697	254700
	550	30	254684	254685	254688
		65	254702	254703	254706
	600	30	340819	340820	340821
		65	254708	254709	254712
650	65	254714	254715	254718	

- side height 83 mm • minimum height in the cabinet body 228 mm

- the complete set includes everything for drawer assembly
- complete the TOB version with module and synchronisation
- must be selected according to the depth and weight of the whole drawer
- complete the inner drawer with front sheet metal and railing

📄 base and back cuttings, p. 03.46

TIP-ON BLUMOTION synchronisation

description	code	Blum code
synchronisation linkage	282277	T60.1125W

Set of modules for ANTARO TIP-ON BLUMOTION

length NL (mm)	weight ¹⁾ (kg)	code	Blum code
270 – 300	up to 10 kg	284454	T60B3030
	10–20 kg	282122	T60B3130
350 – 650	up to 20 kg	284455	T60B3330
	15–40 kg	282123	T60B3530
	35–65 kg	282124	T60B3560

¹⁾ including the weight of the drawer itself

⚠ 284455 cannot be combined with a slide for 65 kg

12345 Item in stock

12345 Item on demand

Front parts for inner drawer

description	code	Blum code
sheet metal	205759	Z31L1036A
handle	202567	ZIF.80M5
handle with latch	202569	ZIF.80M7
railing (for C and D)	205758	ZRG.1046Z

Space Tower and solutions for narrow cabinets Space Twin

For larger units or spacious wardrobes

description	colour	cabinet body width (KB)		
		up to 450 mm	up to 600 mm	up to 1200 mm
ANTARO	grey	260825	260824	260823
	white	260822	260821	260820
MERIVOBX	grey	500917	500918	500919
	white	500914	500915	500916
	dark grey	500920	500921	500922
LEGRABOX	grey	260816	260815	260814
	white	260813	260812	260811
LEGRABOX Free	black	499966	499971	499976
	grey	260807	260806	260805
	white	260804	260803	260802
	black	500175	500176	500177



The complete set includes:

- 1 x low drawer
- 4 x high drawer (D – ANTARO; E – Merivobox with railing; C –)
- basic load capacity of cabinet rails
(for widths of 600 and 1200 mm 1 x reinforced) always with BLUMOTION function
- front fitting for inner drawers
- front components according to the cabinet body width (in sufficient quantities, not shortened)
- full overlay hinge 155° with zero overlap + Expando washers

📄 internal organisation - chapter 04.

Complete set of sides, slides and accessories

- thanks to diagonally placed cabinet profiles, the stability and quality of motion are perfectly preserved

description	colour	code
ANTARO	grey	255525
	white	255527
MERIVOBX	grey	499594
	white	499593
	dark grey	499595
LEGRABOX	grey	255531
	white	255533
	black	499793
Tandem		255537
Movento		260826



The complete set always includes:

- 1 pair of cabinet profiles 500 mm with BLUMOTION
- 4 pcs of front fittings (2 pcs for Tandem and Movento)
- for ANTARO complete set, 1 M drawer and 1 D drawer
- for LEGRABOX complete set, 1 M drawer and 1 C drawer
- the handleless design can be implemented only with SERVO-DRIVE

⚠ Please note that the order codes on this page stand for the so-called complete sets composed of different codes and therefore are not necessarily stocked out and packaged together.





All for the furniture making

SOLE

DECORS THAT SHINE

Available
only in CZ,
SK and PL

DTDL Cleaf and worktops
with the uniquely durable ARPA
surface in stock at Démos
stores!



Arpa 

CLEAF

www.demos24plus.com

sink and corner solutions

Kitchen sink drawers ANTARO “M”

The complete set includes:

- 2 pairs of sides
- 1 pair of cabinet profiles
- 4 pcs of front fittings
- 2 pairs of back holders



depth mm (NL)	white		grey	
	screw	INSERTA	screw	INSERTA
450	260705	260706	260703	260704
500	260487	260488	260485	260486
550	260495	260496	260493	260494
600	260499	260500	260497	260498
650	260503	260504	260501	260502

Kitchen sink drawers ANTARO “D”

The complete set includes:

- 1 pair of cabinet profiles
- 1 pair of sides
- 1 pair of sides shorter by 150 mm
- 4 pcs of front fittings
- 1 pair of M back holders
- 1 pair of adaptive D back holders
- 1 pair of railings



depth mm (NL)	white		grey	
	screw	INSERTA	screw	INSERTA
450	336689	336691	336707	336709
500	288253	288254	260509	260510
550	336692	336693	336710	336712
600	336694	336695	336716	336717
650	336696	336697	336719	336720

LEGRABOX “M” kitchen sink drawers

The complete set includes:

- 2 pairs of sides
- 1 pair of cabinet profiles
- 4 pcs of front fittings
- 2 pairs of back holders

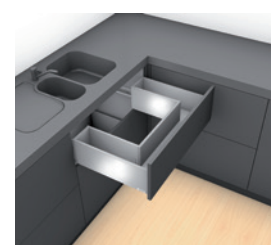


depth mm (NL)	white		grey		black	
	screw	EXPANDO	screw	EXPANDO	screw	EXPANDO
450	390167	390180	390210	390214	499321	499322
500	390181	390183	390215	390216	499323	499324
550	390184	390185	390217	390220	499325	499326
600	390188	390189	390221	390222	499327	499328
650	390190	390191	390223	390452	499329	499330

LEGRABOX “C” kitchen sink drawers

The complete set includes:

- 1 pair of cabinet profiles
- 1 pair of sides
- 1 pair of sides shorter by 150 mm
- 6 pcs of M front fittings
- 1 pair of M back holders
- 1 pair of D back holders



depth mm (NL)	white		grey		black	
	screw	EXPANDO	screw	EXPANDO	screw	EXPANDO
450	390199	390200	390455	390457	499331	499332
500	390202	390203	390460	390463	499333	499334
550	390204	390205	390464	390465	499335	499336
600	390206	390207	390466	390468	499337	499338
650	390208	390209	390469	390470	499339	499340

A comprehensive solution for the use of thin materials for all Blum fittings. For materials from 8 mm. Cabinet with hinges, Legrabox, Merivobox, Aventos (except for Aventos HF) – all can be equipped with fronts made of thin material.



Hinge 110° for thin doors

code	Blum code	motion
347988	71B453T	with BLUMOTION
347989	71T453T	with spring
347990	70T453T	without spring

Hinge 110° for thin doors

EXPANDO T accessories

code	Blum code	motion
347998	Z96.00T1	front stabilisation
347999	70T4532T	dowel ¹⁾

¹⁾ must be completed with an M4 screw, e.g. 92598T

AVENTOS HL, HK, HS

code	Blum code	assembly
347993	20S42T1	EXPANDO T

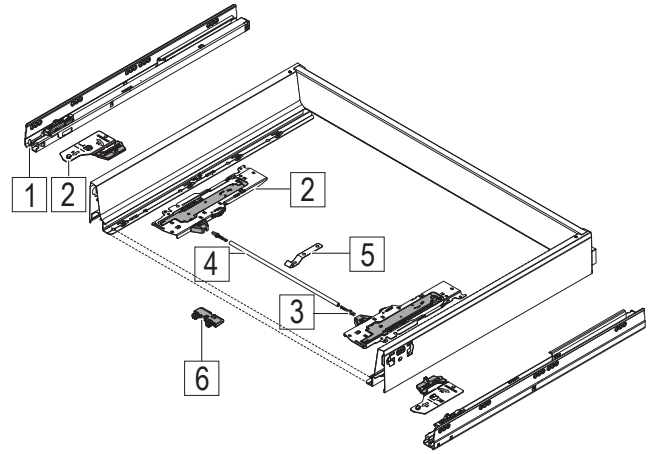
LEGRABOX

for height	EXPANDO T (compact)		required quantity / 1 slide
	code	Blum code	
N	347994	ZF7N70T2	2
M	347995	ZF7M70T2	2
K	347996	ZF7K70T2	2
C	347997	ZF7C70T2	2
C	347995	ZF7M70T2	4
F	347995	ZF7M70T2	6
F	347995	ZF7M70T2	2 + 2
	347997	ZF7C70T2	

TANDEMBOX ANTARO – individual components

Slides

	TIP-ON BLUMOTION, TOB	
	578.***1M	576.***1M
length NL (mm)	30 kg	65 kg
270	282109	×
300	282110	×
350	282111	×
400	282112	×
450	282113	282117
500	282114	282118
550	282115	282119
600	282116	282120
650	×	282121



Set of modules for ANTARO TIP-ON BLUMOTION

	length NL (mm)	weight ¹⁾	code	Blum code
2	270 – 300	up to 10 kg	284454	T60B3030
		10–20 kg	282122	T60B3130
	350 – 650	up to 20 kg	284455	T60B3330
		5–40 kg	282123	T60B3530
		25–65 kg	282124	T60B3560

¹⁾ including the weight of the drawer itself

- TOB version must be completed with an appropriate module
- it is recommended to add synchronisation – adapters (2 pcs) and linkage; the length of the linkage is 1 125 mm; cutting = LW – 247 mm

ANTARO TIP-ON BLUMOTION accessories

	description	code	Blum code
3	adapter	275348	T60.000D
4	synchronisation linkage	282277	T60.1125W
	one-piece synchronisation linkage	293824	T60.300D
5	synchronisation linkage fixing	293797	T60B000H
6	base support	293796	Z96.2011
	TOB adjustment template	293805	65.5627

- recommended cabinet body width from 550 mm to 1 200 mm
- the use of synchronisation ensures perfect functioning even for wide drawers

Sides

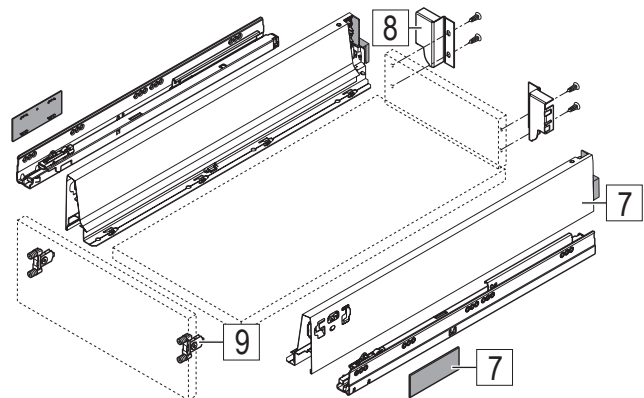
	height	N 68 mm		M 83 mm		K 115 mm	
		378N***2SA		378M***2SA		378K***2SA	
		white	grey	white	grey	white	grey
7	length NL (mm)						
	270	×	×	IN020B	202505	210750	210749
	300	×	×	IN021B	202506	210753	210752
	350	×	×	IN022B	202507	210756	210755
	400	IN033B	203391	IN023B	202508	210759	210758
	450	IN034B	203084	IN024B	202509	210762	210761
	500	IN035B	203083	IN025B	202510	210765	210764
	550	IN036B	203393	IN026B	202511	210768	210767
	600	×	×	IN027B	203394	210771	210770
650	×	×	IN028B	202513	210774	210773	

⊗ this option is not available

TANDEMBOX ANTARO – individual components

Back holders

	white	grey	Blum code	
8	N	IN103B	202540	Z30N000S.04
	M	IN102B	202542	Z30M000S.04
	K	210776	245359	Z30K000S
	B	202547	202546	Z30B000S.04
	C	202549	202548	Z30C000S
	D	176852	202550	Z30D000S



Back holders for kitchen sink drawers

	white	grey	Blum code	
8	C	347873	347875	Z30C000S.22
	D	347879	347886	Z30D000S.22

Front fittings

	description	code	Blum code
9	screw	12687	ZSF.35A2
	INSERTA	12689	ZSF.39A2

Cover cap with Blum logo

white	grey	Blum code
IN801B	206619	ZAA.532C

Cover cap without logo for printing

white	grey	Blum code
IN800B	236213	ZAA.532C

Side panels without cap covers - industrial packaging

length NL (mm)	sides			
	378M***2SA			
	white		grey	
	left	right	left	right
270	224035	224036	224037	224038
350	224039	224040	224041	224042
400	224043	224044	224045	224046
450	IN024BL	IN024BP	206601	206602
500	IN025BL	IN025BP	206603	206604
550	224047	224048	224049	224050
650	228504	228505	228506	228507

TANDEMBOX ANTARO – individual components

Front fittings for inner drawer

	white	grey	Blum code
13	M 202565	202564	ZIF.71M0
	K 210822	210823	ZIF.71K0
	C 525042	525043	ZIF.76C0
	D 525046	525047	ZIF.76D0

Railing

	length NL (mm)	white	grey	Blum code
18	270	202515	202514	ZRG.207RS
	300	202517	202516	ZRG.237RS
	350	202519	202518	ZRG.287RS
	400	202521	202520	ZRG.337RS
	450	202523	202522	ZRG.387RS
	500	202525	202524	ZRG.437RS
	550	202527	202526	ZRG.487RS
	600	203001	203000	ZRG.537RS
	650	202529	202528	ZRG.587RS

Side stabilisation – assembly from above

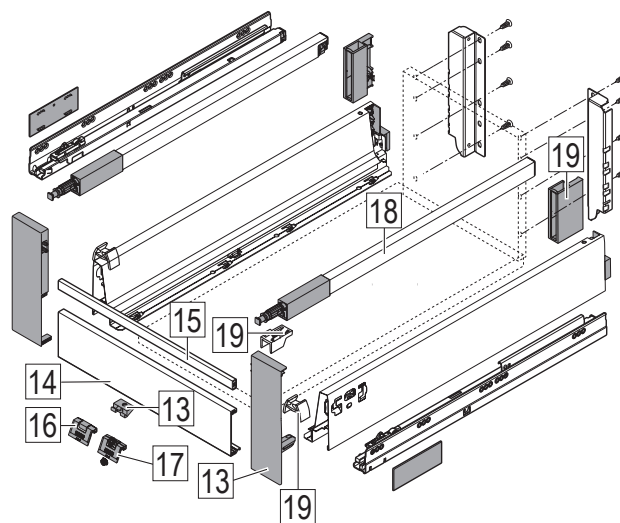
nominal length NL	code	Blum code
450 mm	176798	ZST.450BA
500 mm	176800	ZST.500BA
550 mm	176801	ZST.550BA
600 mm	176803	ZST.600BA
650 mm	176805	ZST.650BA

Additional stabilisation of excessively wide front slides

- recommendation: cabinet body width 900 to 1 200 mm
- aluminium linkage, suitable for cabinet body width KB 1 200 mm, for cutting to size
- suitable for use with SERVO-DRIVE
- for further information, see the Blum catalogue

Fronts stabilisation

material	code	Blum code
plastic	12839	Z96.10E1
metal	12400	Z97.0500
compact	347998	Z96.00T1

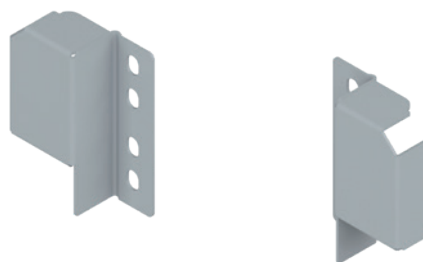


Inner drawer accessories

	description	white	grey	Blum code
14	sheet metal	IN114BB	205759	Z31L1036A
15	railing	IN115B	205758	ZRG.1046Z
16	handle	IN609B	202567	ZIF.80M5
17	handle with latch	IN610B	202569	ZIF.80M7

Adjustable railing holder

white	grey	Blum code
210817	210820	ZRR.5200



- side panels M
- rear holder B
- adjustable railing holder
- 2x longitudinal railing

MERIVOBX

 **blum**

We only
live once



CABLOXX – drawer locking system LEGRABOX, TANDEMBOX, MOVENTO and TANDEM

Locking bar

	code	Blum code	length
1	285190	Z80S0560	600 mm
	285192	Z80S0760	800 mm
	337899	Z80S1260	1300 mm

Locking unit

	code	Blum code	description
2	285194	Z80.000V	right
	285195	Z80.000V	left

Locking bracket

	code	Blum code	description
3	285198	Z80.000S	Orion grey
	285197	Z80.000S	WGR white grey
	285196	Z80.000S	silky white
	285199	Z80.000S	black

- ❶ Must be completed with:
- ❷ container lock - p. 09.37
- ❸ cylinder insert - p. 09.53

Synchronisation

code	Blum code	description
285200	Z80V000A	synchronisation set
285201	Z80V1163W	synchronisation linkage



Complete sets

locking bar (mm)	number of drawers	colour of locking brackets			
		silky white	white grey	Orion grey	black
600	2	388325	388328	388329	388330
	3	388331	388332	388333	388334
	4	388335	388336	388337	388338
	5	388339	388340	388341	388342

locking bar (mm)	number of drawers	colour of locking brackets			
		silky white	white grey	Orion grey	black
800	2	388347	388348	388350	388351
	3	388352	388353	388354	388355
	4	388356	388358	388360	388361
	5	388363	388364	388377	388380

locking bar (mm)	number of drawers	colour of locking brackets			
		silky white	white grey	Orion grey	black
1300	2	388381	388383	388385	388387
	3	388388	388389	388391	388392
	4	388393	388394	388395	388396
	5	388397	388398	388399	388400

The complete set includes:

- locking bar
- locking brackets
- locking units - right
- pedestal lock

❶ Must be completed with a cylinder insert.



Complete set of fittings for 20 drawers

length NL (mm)	load capacity (kg)	white		grey	
		screw	INSERTA	screw	INSERTA
		BLUMOTION, TOB	BLUMOTION, TOB	BLUMOTION, TOB	BLUMOTION, TOB
270	30	228427	228432	228431	228429
350		228436	228435	228434	228433
400		228440	228439	228438	228437
450	30	215481	215487	215482	215489
	65	265466	265465	265464	265462
500	30	215484	215491	215485	215492
	65	265442	265439	265444	265443
550	30	228444	228443	228442	228441
650	65	228448	228447	228446	228445

Set contains:

- M side, left (20 pcs)
- M side, right (20 pcs)
- slide, right + left (20 pcs)
- front holder, INSERTA or screw (40 pcs)
- rectangular cover cap with Blum logo (40 pcs)



Accessories

height	white	grey	Blum code	description	length NL (mm)	white	grey	Blum code	description
M	IN102B	202542	Z30M000S	back holders	270	202515	202514	ZRG.207RS	railings
B	202547	202546	Z30B000S		350	202519	202518	ZRG.287RS	
C	202549	202548	Z30C000S		400	202521	202520	ZRG.337RS	
D	176852	202550	Z30D000S		450	202523	202522	ZRG.387RS	
				500	202525	202524	ZRG.437RS		
				550	202527	202526	ZRG.487RS		
				650	202529	202528	ZRG.587RS		

AMPEROS AC – concealed power supply for drawers and slides

AMPEROS AC provides an elegant and practical solution for powering appliances directly inside drawers and pull-out shelves. No visible cables, no clutter – appliances remain stored but always ready for use.

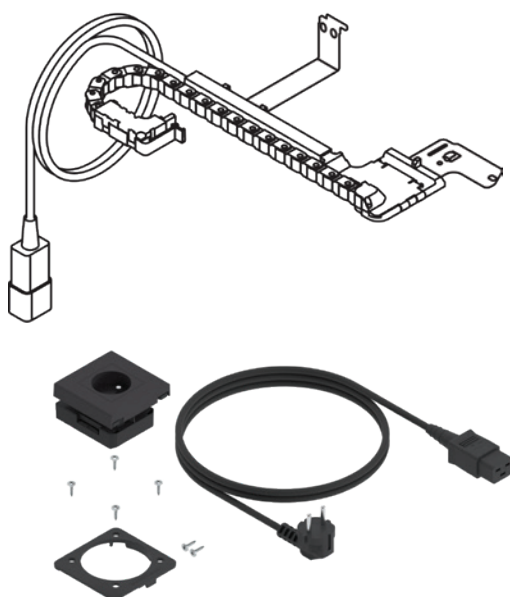
Key features:

- Discreet design – electrical socket integrated into the slide base.
- Easy assembly – even retrospectively, without electrical expertise.
- Space saving – appliances can be concealed, keeping the worktop free.
- Compatibility – MOVENTO and LEGRABOX, with BLUMOTION, TIPON BLUMOTION and SERVODRIVE.
- Safety – slide lock when using an appliance.
- Universal application – kitchen, office, living room, bathroom.
- IP20 rating.
- For Movento, base thickness 12–32 mm.
- Minimum internal cabinet body widths:
 - from 336 mm
 - from 362 mm with TIPON BLUMOTION
 - from 562 mm with SERVODRIVE



code	Blum code	description	colour	
544950	ESS.T1700	cable management set NL 450	black	
544951	ESS.T1900	cable management set NL 500 ¹⁾	black	
544952	ESS.T2200	cable management set NL 550	black	
				Country group
544953	ESS.B01EB	power supply element and cable	white	EN, FR, NL, PL, SK, CS
544954	ESS.B01EB	power supply element and cable	black	
544955	ESS.B01FA	power supply element and cable	white	EN, DE, IT, NL, ES, PT, FI, NO, SV, ET, LT, LV, EL, HR, SL, TR, HU, RO, BG
544956	ESS.B01FA	power supply element and cable	black	

¹⁾ for Movento NL 480–520 mm



Design of drawers

legend	description	cutting of back height for individual side heights	dimensions (mm)
LW	inner cabinet body width	N	60,5
NL	slides depth	M	83
VZ	back height (particle board)	K	121
TOB	TIP-ON BLUMOTION	E	184

- cutting dimensions for chipboard, 16 mm thick

Inner drawer cutting

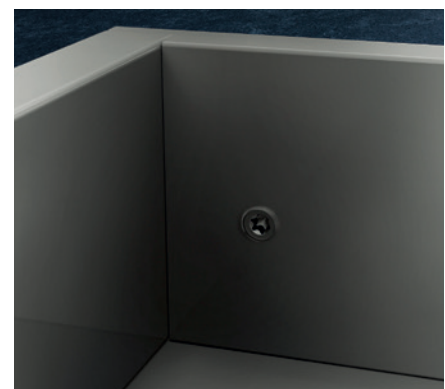
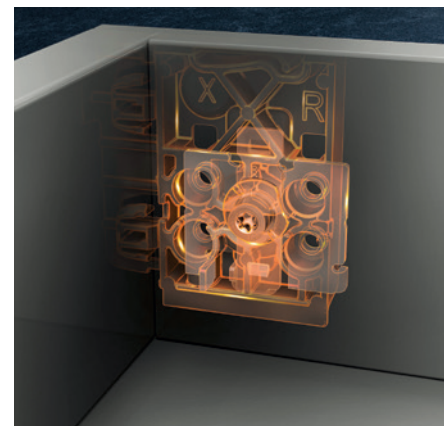
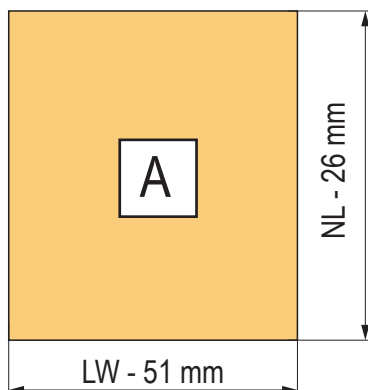
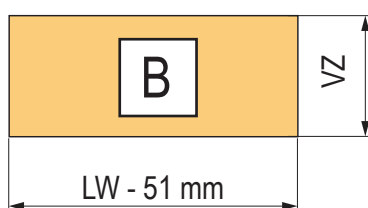
description	dimensions (mm)
front sheet metal	LW-126
front cross railing	LW-111
front glass	LW-104

Material and colours

colour	description	RAL colour
silky white	SW-M	RAL 9003
Orion grey	OG-M	RAL 7043
Indium grey	IG-M	RAL 7037

Synchronisation cutting (TOB)

description	dimensions (mm)
synchronisation linkage	LW-250



Complete sets of fittings for drawer

	depth mm (NL)	load capacity (kg) type of slide	screw	INSERTA
N	450	40	485390	485389
	500		485392	485391

- side height 68.5 mm, minimum height in the cabinet body 85.5 mm

	depth mm (NL)	load capacity (kg) type of slide	screw	INSERTA	inner
M	270	40	485402	485401	485407
	300		485411	485410	485416
	350		485420	485419	485425
	400		485429	485428	485434
	450		485438	485437	485443
	450	70	485447	485446	485452
	500	40	485456	485455	485461
	500	70	485465	485464	485470
	550	40	485474	485473	485479
	600		485483	485482	485488

- side height 91 mm, minimum height in the cabinet body 108 mm (for inner 106, with handle 111 mm)

	depth mm (NL)	load capacity (kg) type of slide	screw	INSERTA	inner
K	300	40	485501	485500	485506
	350		485510	485509	485515
	400		485519	485518	485524
	450		485528	485527	485533
	450	70	485537	485536	485542
	500	40	485546	485545	485551
	500	70	485555	485554	485560
	550	40	485564	485563	485569
	600		485573	485572	485578

- side height 129 mm, minimum height in the cabinet body 146 mm (144 mm for inner)

	depth mm (NL)	load capacity (kg) type of slide	screw	INSERTA	inner with railing	inner with glass
E reling	270	40	485582	485581	485587	485671
	300		485591	485590	485596	485674
	350		485600	485599	485605	485677
	400		485609	485608	485614	485680
	450		485618	485617	485623	485683
	450	70	485627	485626	485632	485686
	500	40	485636	485635	485641	485689
	500	70	485645	485644	485650	485692
	550	40	485654	485653	485659	485695
	600		485663	485662	485668	485698

- side height 91 mm, minimum height in the cabinet body 209 mm (207 mm for inner)



Complete sets of fittings for drawer

	depth mm (NL)	load capacity (kg) type of slide	screw	INSERTA	inner with railing	inner with glass
E Boxcap	270	40	487632	487629	487630	487631
	300		487644	487641	487642	487643
	350		487656	487653	487654	487655
	400		487668	487665	487666	487667
	450		487680	487677	487678	487679
	450	70	487692	487689	487690	487691
	500	40	487704	487701	487702	487703
	500	70	487716	487713	487714	487715
	550	40	487728	487725	487726	487727
	600		487740	487737	487738	487739



- side height 91 mm, minimum height in the cabinet body 209 mm (207 mm for inner)

	depth mm (NL)	load capacity (kg) type of slide	screw	INSERTA	inner with railing	inner with glass
E Boxcover	270 ¹⁾	40	487752	487749	487750	487751
	300 ¹⁾		487764	487761	487762	487763
	350 ¹⁾		487776	487773	487774	487775
	400 ¹⁾		487788	487785	487786	487787
	450 ²⁾		487800	487797	487798	487799
	450 ²⁾	70	487812	487809	487810	487811
	500 ²⁾	40	487824	487821	487822	487823
	500 ²⁾	70	487836	487833	487834	487835
	550 ²⁾	40	487848	487845	487846	487847
	600 ²⁾		487860	487857	487858	487859



- side height 91 mm, minimum height in the cabinet body 209 mm (207 mm for inner)

¹⁾ complete set without side glass

²⁾ complete set with side glass

White silk matt

M kitchen sink drawer



Kitchen sink drawers Merivobox

depth mm (NL)	white	
	screw	INSERTA
450	488014	488015
500	488016	488017
550	488018	488019
600	488020	488021

White silk matt

E kitchen sink drawer



depth mm (NL)	white	
	screw	INSERTA
450	488039	488040
500	488042	488044
550	488045	488046
600	488047	488048

Merivobox – indium matt grey

Complete sets of fittings for drawer

	depth mm (NL)	load capacity (kg) type of slide	screw	INSERTA
N	450	40	485398	485397
	500		485400	485399

- side height 68.5 mm, minimum height in the cabinet body 85.5 mm

	depth mm (NL)	load capacity (kg) type of slide	screw	INSERTA	inner
M	270	40	485406	485405	485409
	300		485415	485414	485418
	350		485424	485423	485427
	400		485433	485432	485436
	450		485442	485441	485445
	450	70	485451	485450	485454
	500	40	485460	485459	485463
	500	70	485469	485468	485472
	550	40	485478	485477	485481
	600		485487	485486	485490

- side height 91 mm, minimum height in the cabinet body 108 mm (for inner 106, with handle 111 mm)

	depth mm (NL)	load capacity (kg) type of slide	screw	INSERTA	inner
K	300	40	485505	485504	485508
	350		485514	485513	485517
	400		485523	485522	485526
	450		485532	485531	485535
	450	70	485541	485540	485544
	500	40	485550	485549	485553
	500	70	485559	485558	485562
	550	40	485568	485567	485571
	600		485577	485576	485580

- side height 129 mm, minimum height in the cabinet body 146 mm (144 mm for inner)

	depth mm (NL)	load capacity (kg) type of slide	screw	INSERTA	inner with railing	inner with glass
E reling	270	40	485586	485585	485589	485673
	300		485595	485594	485598	485676
	350		485604	485603	485607	485679
	400		485613	485612	485616	485682
	450		485622	485621	485625	485685
	450	70	485631	485630	485634	485688
	500	40	485640	485639	485643	485691
	500	70	485649	485648	485652	485694
	550	40	485658	485657	485661	485697
	600		485667	485666	485670	485700

- side height 91 mm, minimum height in the cabinet body 209 mm (207 mm for inner)



Complete sets of fittings for drawer

	depth mm (NL)	load capacity (kg) type of slide	screw	INSERTA	inner with railing	inner with glass
E Boxcap	270	40	487636	487633	487634	487635
	300		487648	487645	487646	487647
	350		487660	487657	487658	487659
	400		487672	487669	487670	487671
	450		487684	487681	487682	487683
	450	70	487696	487693	487694	487695
	500	40	487708	487705	487706	487707
	500	70	487720	487717	487718	487719
	550	40	487732	487729	487730	487731
600	487744		487741	487742	487743	



- side height 91 mm, minimum height in the cabinet body 209 mm (207 mm for inner)

	depth mm (NL)	load capacity (kg) type of slide	screw	INSERTA	inner with railing	inner with glass
E Boxcover	¹⁾ 270	40	487756	487753	487754	487755
	¹⁾ 300		487768	487765	487766	487767
	¹⁾ 350		487780	487777	487778	487779
	¹⁾ 400		487792	487789	487790	487791
	²⁾ 450		487804	487801	487802	487803
	²⁾ 450	70	487816	487813	487814	487815
	²⁾ 500	40	487828	487825	487826	487827
	²⁾ 500	70	487840	487837	487838	487839
	²⁾ 550	40	487852	487849	487850	487851
	²⁾ 600		487864	487861	487862	487863



- side height 91 mm, minimum height in the cabinet body 209 mm (207 mm for inner)

¹⁾ complete set without side glass

²⁾ complete set with side glass

M kitchen sink drawer
front drawer



Kitchen sink drawers Merivobox

depth mm (NL)	Indium grey	
	screw	INSERTA
450	488031	488032
500	488033	488034
550	488035	488036
600	488037	488038

E kitchen sink drawer
front drawer with railing



depth mm (NL)	Indium grey	
	screw	INSERTA
450	488058	488059
500	488060	488061
550	488062	488063
600	488064	488065

Complete sets of fittings for drawer

	depth mm (NL)	load capacity (kg) type of slide	screw	INSERTA
N	450	40	485394	485393
	500		485396	485395

- side height 68.5 mm, minimum height in the cabinet body 85.5 mm

	depth mm (NL)	load capacity (kg) type of slide	screw	INSERTA	inner
M	270	40	485404	485403	485408
	300		485413	485412	485417
	350		485422	485421	485426
	400		485431	485430	485435
	450		485440	485439	485444
	450	70	485449	485448	485453
	500	40	485458	485457	485462
	500	70	485467	485466	485471
	550	40	485476	485475	485480
	600		485485	485484	485489

- side height 91 mm, minimum height in the cabinet body 108 mm (for inner 106, with handle 111 mm)

	depth mm (NL)	load capacity (kg) type of slide	screw	INSERTA	inner
K	300	40	485503	485502	485507
	350		485512	485511	485516
	400		485521	485520	485525
	450		485530	485529	485534
	450	70	485539	485538	485543
	500	40	485548	485547	485552
	500	70	485557	485556	485561
	550	40	485566	485565	485570
	600		485575	485574	485579

- side height 129 mm, minimum height in the cabinet body 146 mm (144 mm for inner)

	depth mm (NL)	load capacity (kg) type of slide	screw	INSERTA	inner with railing	inner with glass
E railing	270	40	485584	485583	485588	485672
	300		485593	485592	485597	485675
	350		485602	485601	485606	485678
	400		485611	485610	485615	485681
	450		485620	485619	485624	485684
	450	70	485629	485628	485633	485687
	500	40	485638	485637	485642	485690
	500	70	485647	485646	485651	485693
	550	40	485656	485655	485660	485696
	600		485665	485664	485669	485699

- side height 91 mm, minimum height in the cabinet body 209 mm (207 mm for inner)



Complete sets of fittings for drawer

	depth mm (NL)	load capacity (kg) type of slide	screw	INSERTA	inner with railing	inner with glass
E Boxcap	270	40	487640	487637	487638	487639
	300		487652	487649	487650	487651
	350		487664	487661	487662	487663
	400		487676	487673	487674	487675
	450		487688	487685	487686	487687
	450	70	487700	487697	487698	487699
	500	40	487712	487709	487710	487711
	500	70	487724	487721	487722	487723
	550	40	487736	487733	487734	487735
	600		487748	487745	487746	487747



- side height 91 mm, minimum height in the cabinet body 209 mm (207 mm for inner)

	depth mm (NL)	load capacity (kg) type of slide	screw	INSERTA	inner with railing	inner with glass
E Boxcover	270 ¹⁾	40	487760	487757	487758	487759
	300 ¹⁾		487772	487769	487770	487771
	350 ¹⁾		487784	487781	487782	487783
	400 ¹⁾		487796	487793	487794	487795
	450 ²⁾		487808	487805	487806	487807
	450 ²⁾	70	487820	487817	487818	487819
	500 ²⁾	40	487832	487829	487830	487831
	500 ²⁾	70	487844	487841	487842	487843
	550 ²⁾	40	487856	487853	487854	487855
	600 ²⁾		487868	487865	487866	487867



- side height 91 mm, minimum height in the cabinet body 209 mm (207 mm for inner)

¹⁾ complete set without side glass

²⁾ complete set with side glass

M kitchen sink drawer front drawer



Kitchen sink drawers Merivobox

depth mm (NL)	Orion grey	
	screw	INSERTA
450	488023	488024
500	488025	488026
550	488027	488028
600	488029	488030

E kitchen sink drawer front drawer with railing



depth mm (NL)	Orion grey	
	screw	INSERTA
450	488049	488051
500	488052	488053
550	488054	488055
600	488056	488057

Merivobox – sets, individual components

Slides

	length NL (mm)	450.***1B	453.***1B
		40 kg	70 kg
1	270	481613	×
	300	481614	×
	350	481615	×
	400	481616	×
	450	481617	481621
	500	481618	481622
	550	481619	481623
	600	481620	481624

Sides

	length NL (mm)	N (68.5 mm)			M (91 mm)		
		470N***2S			470M***2S		
		SW-M	OG-M	IG-M	SW-M	OG-M	IG-M
2	270	×	×	×	481552	481551	481550
	300	×	×	×	481555	481554	481553
	350	×	×	×	481558	481557	481556
	400	481540	481539	481538	481561	481560	481559
	450	481543	481542	481541	481570	481567	481564
	500	481546	481545	481544	481579	481576	481573
	550	481549	481548	481547	481582	481581	481580
	600	×	×	×	481585	481584	481583

Front clip

	assembly	code	Blum code
4	screw	481701	ZF4.1002
	INSERTA	481702	ZF4.10I2
	EXPANDO T	481703	ZF4.10T2

Back holders

	height	SW-M	OG-M	IG-M	Blum code
3	N	481630	481629	481628	ZB4N000S
	M	481633	481632	481631	ZB4M000S
	K	481636	481635	481634	ZB4K000S
	E	481639	481638	481637	ZB4E000S

Front mounting on the top (for railing, Boxcover, Boxcap)

	assembly	code	Blum code
5	screw	481704	ZF4.5002
	INSERTA	481705	ZF4.50I2
	EXPANDO T	481706	ZF4.50T2

Railing

	length NL (mm)	SW-M	OG-M	IG-M	Blum code
6	270	481648	481647	481646	ZR4.270RS.E
	300	481651	481650	481649	ZR4.300RS.E
	350	481654	481653	481652	ZR4.350RS.E
	400	481657	481656	481655	ZR4.400RS.E
	450	481660	481659	481658	ZR4.450RS.E
	500	481663	481662	481661	ZR4.500RS.E
	550	481666	481665	481664	ZR4.550RS.E
	600	481669	481668	481667	ZR4.600RS.E

Boxcover

	SW-M	OG-M	IG-M	Blum code
7	481696	481695	481694	ZL4M00808

Side panels without cap covers - industrial packaging

2	height	M (91 mm)					
	length NL (mm)	470M *** 2S					
		SW-M		OG-M		IG-M	
		L	P	L	P	L	P
	450	481568	481569	481565	481566	481562	481563
	500	485118	485119	485116	485117	481571	481572

Cover caps

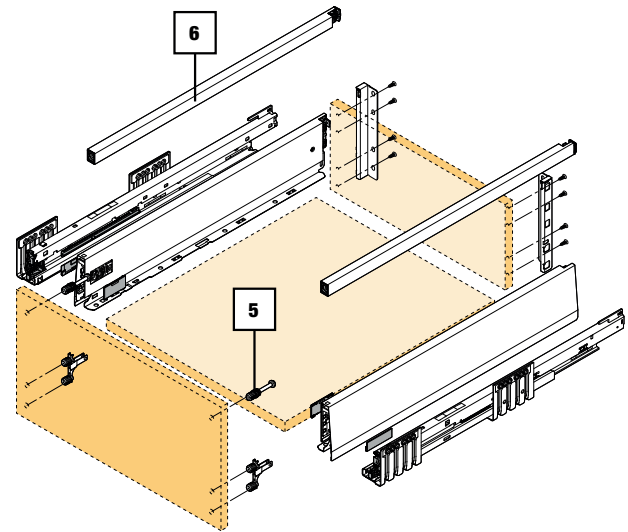
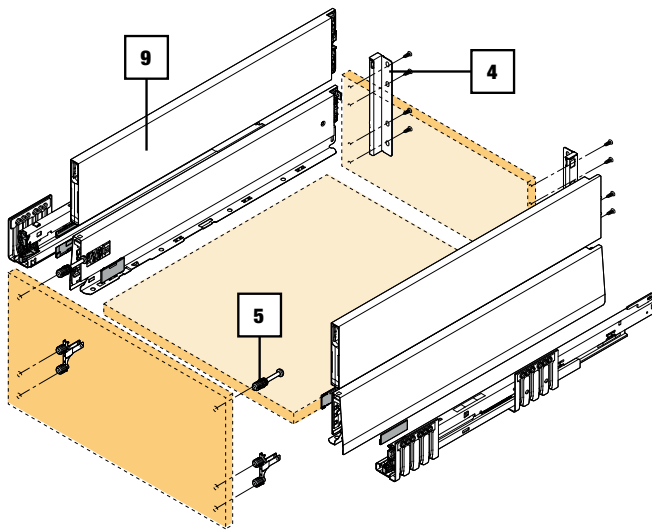
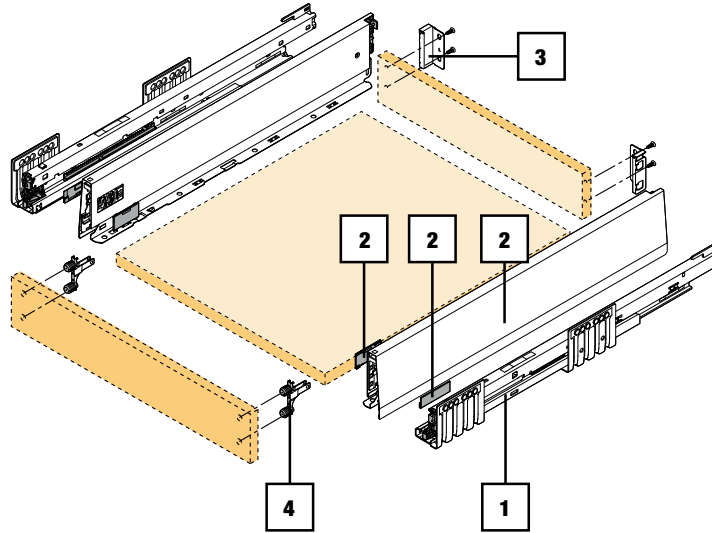
	SW-M	OG-M	IG-M	Blum code
inner	481609	481608	481607	ZA4.5400.BT
outer without logo	487887	487889	487888	ABD.1000

Cover caps

outer blank	stainless steel	Blum code
	486181	ABD.1009

Merivobox – sets, individual components

		K (129 mm)		
		470K***2S		
		SW-M	OG-M	IG-M
		x	x	x
2		481588	481587	481586
		481591	481590	481589
		481594	481593	481592
		481597	481596	481595
		481600	481599	481598
		481603	481602	481601
		481606	481605	481604



Boxcap

	length NL (mm)	SW-M	OG-M	IG-M	Blum code
9	270	481672	481671	481670	ZL4.270S.E
	300	481675	481674	481673	ZL4.300S.E
	350	481678	481677	481676	ZL4.350S.E
	400	481681	481680	481679	ZL4.400S.E
	450	481684	481683	481682	ZL4.450S.E
	500	481687	481686	481685	ZL4.500S.E
	550	481690	481689	481688	ZL4.550S.E
	600	481693	481692	481691	ZL4.600S.E

Side glass

	assembly	code	Blum code
8	450	481697	ZE4M360G
	500	481698	ZE4M410G
	550	481699	ZE4M460G
	600	481700	ZE4M510G

Front fittings for inner drawer

	description	SW-M	OG-M	IG-M
10	M	ZI4.0MS1		
		481709	481708	481707
	K	ZI4.1KS1		
		481712	481711	481710
11	E front glass	ZI4.4ES1		
		481718	481717	481716
12	E front railing	ZI4.2ES1		
		481715	481714	481713

Front parts for inner drawer

	description	SW-M	OG-M	IG-M
13	M + K sheet metal	ZV4.1042M		
	sheet metal E for railing	481721	481720	481719
14	sheet metal E for glass	ZV4.1042NN		
		481724	481723	481722
15	railing for E	ZR4.1059U		
		481731	481730	481729

Latch for inner drawers

SW-M	OG-M	IG-M	Blum code
227603	227604	481740	ZI7.0M07

Set of modules for TOB

NL (mm)	weight (kg) ¹⁾	slide (kg)	unit	colour	code	Blum code
270–300	≤ 10	40	S0	white	481732	T60H4040
270–300	> 10–20	40	S1	light grey	481733	T60H4140
350–600	≤ 20	40	L1 ²⁾	light grey	481734	T60H4340
350–600	15–40	40	L3 ²⁾	dust grey	481735	T60H4540
450–600	35–70	70	L5 ³⁾	black	481736	T60H4570

¹⁾ recommended weight values (total weight of drawer including front and contents) for optimum opening and closing function

²⁾ can only be combined with cabinet rail for 40 kg

³⁾ recommendation: combine only with cabinet rail for 70 kg

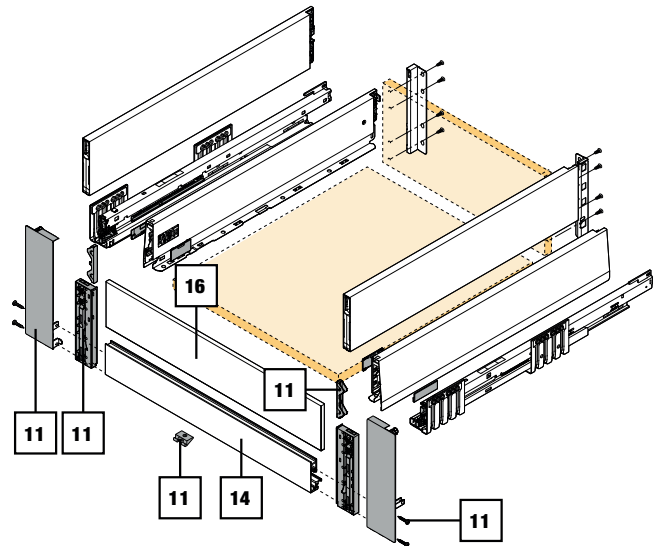
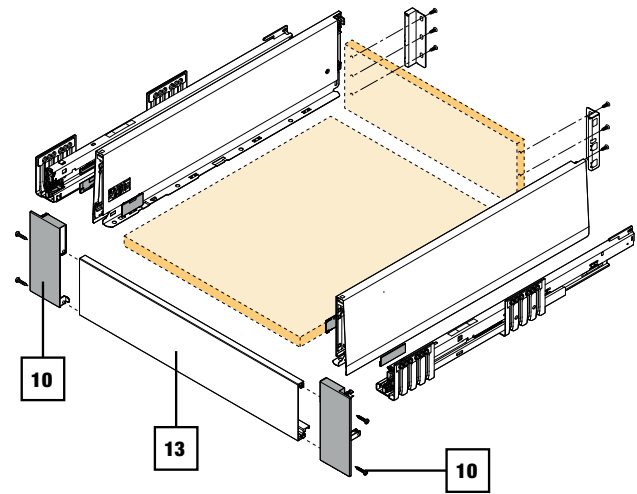
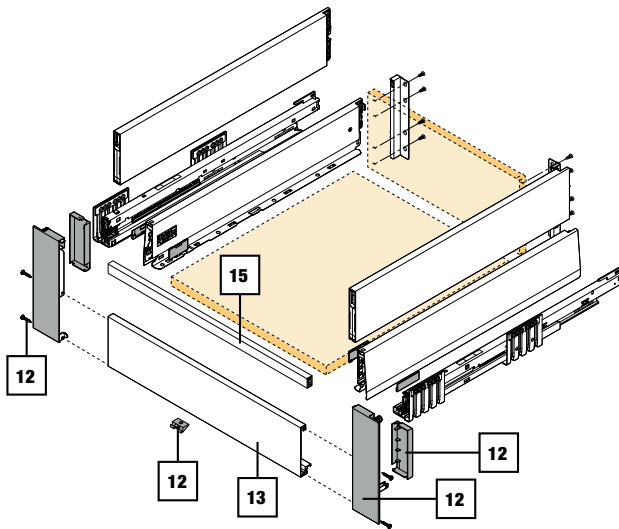
Synchronisation linkage for TOB drawer

code	Blum code
282277	T60.1125W

Merivobox – sets, individual components

Front glass for inner E

	description	KB 600	KB1200
16	high	ZE4H458G	ZE4H1058G
		481726	481728
	low	ZE4L458G	ZE4L1058G
		481725	481727



Complete set of fittings for 20 drawers

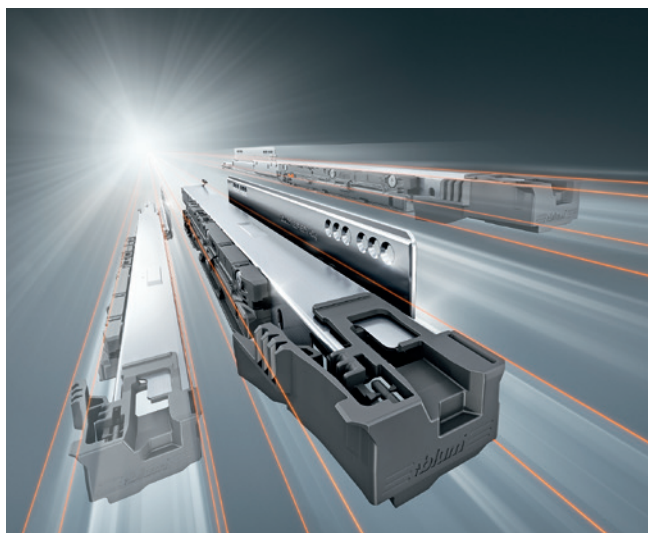
length (mm)	load capacity (kg)	white SW-M		Orion grey OG-M		Indium grey IG-M	
		screw	INSERTA	screw	INSERTA	screw	screw
450	40	532530	532534	532546	532550	532538	532542
	70	532531	532535	532547	532551	532539	532543
500	40	532532	532536	532548	532552	532540	532544
	70	532533	532537	532549	532553	532541	532545

Set contains:

- M side, left (20 pcs)
- M side, right (20 pcs)
- slide, right + left Blumotion/TOB (20 pcs)
- front holder side panel INSERTA or screw (40 pcs)
- inner cover cap with Blum logo (40 pcs)
- outer cover cap with Blum logo (40 pcs)

Must be ordered separately:

- back holders
- for higher drawers: railing, Boxcap or Boxcover
- for higher drawers: upper front holder (for railing, Boxcap or Boxcover)



LEGRABOX

Simple design provides more space for inspiration. In order to meet current trends in furniture production, the range of options needs to be expanded. With the LEGRABOX thin side and the new thin fronts assembly technology, the minimalist design of furniture is achieved quite easily. The basis for new thin fronts is represented by

EXPANDO T

Steel pull-in anchors stabilise hard materials, plastic elements stabilise soft materials. EXPANDO T is installed in an assembly hole of 10 mm in diameter with a drilling depth of only 6 mm.

Three

Variability for the implementation of multiple motion technologies with only one guide rail, optimal soft closing function tailored to the respective technology – the new BLUMOTION S runner system for LEGRABOX has it all.

Optimised BLUMOTION

Have you ever closed a pull-out with a good swing? Then you should consider installing the BLUMOTION S guide rail. The soft closing will be better, therefore more efficient – closing the slides will be even softer.

TIP-ON BLUMOTION

Drawers and pull-outs that not only close softly, but also open with a gentle tap? TIP-ON BLUMOTION is the perfect solution. An opening unit is added to the BLUMOTION S guide rail which is also included in this system. Thanks to the product's unique intelligence, the soft closing adjusts automatically. Assembly is carried out without power tools.

SERVO-DRIVE

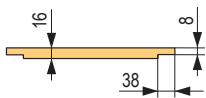
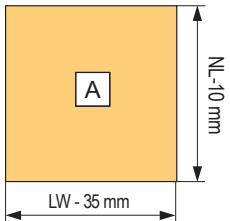
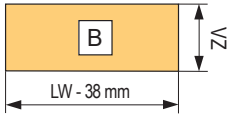
Are you interested in the highest degree of handling comfort when opening and closing? SERVO-DRIVE serves this exact purpose.

The BLUMOTION S guide rail will be supplemented with the relevant SERVO-DRIVE components.

Easy and better: BLUMOTION S – one is better than

Cutting dimensions for 16 mm thick particle board

Base and back

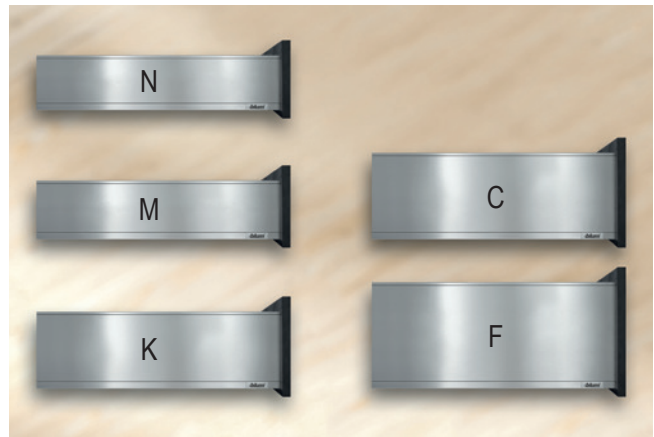


Cutting of back height for individual side heights

N	39 mm
M	63 mm
K	101 mm
C	148 mm
F	212 mm

Explanatory notes:

- LW Internal width of cabinet body
- NL Slide depth
- VZ Rear panel height (chipboard)
- TOB TIP-ON BLUMOTION



Cuttings for synchronisation bars

description	dimensions
TOB synchronisation linkage	LW-247 mm
TIP-ON synchronisation linkage	LW-229 mm



Inner drawer cutting

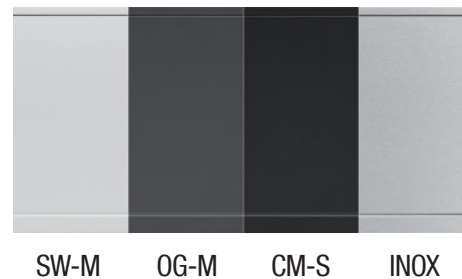
description	dimensions
front sheet metal	LW-126 mm
front cross railing	LW-90 mm



Material and colours

RAL colours have a significantly lighter look due to a rough surface.

Carbon black	CS-M	RAL 0002500
Orion grey	OG-M	RAL 8022
Silky white	SW-M	RAL 9003
Stainless steel (inox), anti-fingerprint	INOX	



Complete set of fittings for drawer

N	depth (mm) (NL)	load capacity (kg) type of slide	screw		EXPANDO	
			BLUMOTION, TOB	TIP-ON	BLUMOTION, TOB	TIP-ON
N	400	40	254379	254392	255024	292886
	450		344094	344107	344095	344108
	500		254861	254863	254869	254871
	550		254381	255041	255307	342431

- side height 66.5 mm • minimum height in the cabinet body 80 mm

M	depth mm (NL)	load capacity (kg) type of slide	screw		EXPANDO		inner	
			BLUMOTION, TOB	TIP-ON	BLUMOTION, TOB	TIP-ON	BLUMOTION, TOB	TIP-ON
M	270	40	254875	254876	254879	254880	254883	254884
	300		254887	254888	254891	254892	254895	254896
	350		254899	254900	254903	254904	254907	254908
	400		254911	254912	254915	254916	254919	254920
	450	40	254925	254927	254933	254935	254941	254943
		70	254926	254928	254934	254936	254942	254944
	500	40	254973	254975	254981	254983	254989	254991
		70	254974	254976	254982	254984	254990	254992
	550	40	254997	254999	255005	255007	255013	255015
		70	337662	337665	337663	337666	337664	337667
	600	40	255021	255023	255029	255031	255037	255039
		70	337678	337686	337679	337688	337680	337692
650	70	255046	255048	255054	255056	255062	255064	

- side height 90.5 mm • minimum height in the cabinet body 106 mm (104 mm for inner drawer, 109 mm with latch)

K	depth mm (NL)	load capacity (kg) type of slide	screw		EXPANDO		inner	
			BLUMOTION, TOB	TIP-ON	BLUMOTION, TOB	TIP-ON	BLUMOTION, TOB	TIP-ON
K	300	40	388404	388407	388405	388409	388406	388411
	350		337521	337523	337522	337528	388579	388580
	400		337532	337563	337562	337564	388582	388583
	450		40	260765	260767	260771	260773	388585
		70	260766	260768	260772	260774	388588	388589
	500	40	260789	260913	260793	260795	388593	388594
		70	260790	260791	260794	260796	388596	388598
	550	40	337568	337575	337569	337576	388602	388603
		70	337572	337577	337574	337578	388608	388609
	600	40	342459	342435	342464	342439	388618	388619
		70	342448	342468	342434	342460	389077	389078

- side height 128.5 mm • minimum height in the cabinet body 144 mm

LEGRABOX – silky white (SW-M)

Complete set of fittings for drawer

	depth mm (NL)	load capacity (kg) type of slide	screw		EXPANDO	
			BLUMOTION, TOB	TIP-ON	BLUMOTION, TOB	TIP-ON
C PURE	270	40	255187	255188	255191	255192
	300		255199	255200	255203	255204
	350		255211	255212	255215	255216
	400		255224	255225	255228	255229
	450	40	255238	255240	255246	255248
		70	255239	255241	255247	255249
	500	40	255286	255288	255294	255296
		70	255287	255289	255295	255297
	550	40	255310	255312	255318	255320
		70	337616	337620	337617	337622
	600	40	255334	255336	255342	255344
		70	337632	337636	337633	337637
650	70	255359	255361	255367	255369	

	depth mm (NL)	load capacity (kg) type of slide	inner, railing		inner, glass	
			BLUMOTION, TOB	TIP-ON	BLUMOTION, TOB	TIP-ON
C PURE	270	40	255195	255196	255380	255381
	300		255207	255208	255384	255385
	350		255220	255221	255388	255389
	400		255232	255233	255392	255393
	450	40	255254	255256	255398	255400
		70	255255	255257	255399	255401
	500	40	255302	255304	255414	255416
		70	255303	255305	255415	255417
	550	40	255326	255328	255422	255424
		70	337618	337623	337619	337624
	600	40	255350	255352	255430	255432
		70	337634	337638	337635	337639
650	70	255375	255377	255439	255441	

- side height 177 mm
- minimum height in the cabinet body 193 mm (191 mm for inner drawer)
- the complete set includes everything for drawer assembly
- complete the TIP-ON version with synchronisation
- complete the TOB version with module and synchronisation
- select the TOB module according to the depth and weight of the whole drawer
- complete the inner drawer of height M with front sheet metal
- complete the inner drawer of height C with front sheet metal and railing or a front glass



base and back cuttings, p. 03.74

Complete set of fittings for drawer

	depth mm (NL)	load capacity (kg) type of slide	screw		EXPANDO	
			BLUMOTION, TOB	TIP-ON	BLUMOTION, TOB	TIP-ON
C FREE	350	40	343477	343820	343479	343821
	400		343522	343828	343523	343829
	450	40	343453	343700	343454	343701
		70	343455	343702	343456	343703
	500	40	255259	255261	255263	255265
		70	255260	255262	255264	255266
	550	40	343506	343843	343507	343844
		70	343508	343848	343509	343851
	600	40	343534	343879	343535	343880
		70	343536	343881	343537	343883
	650	70	343540	343870	343541	343871

	depth mm (NL)	load capacity (kg) type of slide	inner, railing		inner, glass	
			BLUMOTION, TOB	TIP-ON	BLUMOTION, TOB	TIP-ON
C FREE	350	40	344412	344414	344413	344415
	400		344418	344420	344419	344421
	450	40	344425	344430	344426	344431
		70	344427	344432	344428	344433
	500	40	255267	255269	255271	255273
		70	255268	255270	255272	255274
	550	40	344438	344442	344439	344443
		70	344440	344444	344441	344445
	600	40	344450	344454	344451	344455
		70	344452	344461	344453	344462
	650	70	344467	344469	344468	344470



LEGRABOX – silky white (SW-M)

Complete set of fittings for drawer

	depth mm (NL)	load capacity (kg) type of slide	screw		EXPANDO	
			BLUMOTION, TOB	TIP-ON	BLUMOTION, TOB	TIP-ON
F	400	40	343349	343351	343350	343352
	450	40	255446	255448	255454	255456
		70	255447	255449	255455	255457
	500	40	255478	255480	255486	255488
		70	255479	255481	255487	255489
	550	40	255494	255496	255502	255505
		70	351394	351395	351397	351398
	600	40	255511	255513	255519	255521
		70	351401	255514	351403	255522
	650	70	255528	255530	255536	255538

• side height 241 mm • minimum height in the cabinet body 257 mm

Set of modules for TOB

length NL (mm)	weight ¹⁾	code	Blum code
270 – 300	up to 10 kg	284456	T60L7040
	10–20 kg	275343	T60L7140
350 – 650,	up to 20 kg	275344	T60L7340
	15–40 kg	275345	T60L7540
	35–70 kg	275347	T60L7570

¹⁾ total weight of the drawer including the front and contents

Front glass for C

description	600 mm	1200 mm
high	ZE7W482G	ZE7W1082G
	227588	227590
low	ZE7V482G	ZE7V1082G
	227592	227594

Accessories

description	code	Blum code
screw for LBX	237597	61D.1500
bottom stabilisation	12839	Z96.10E1

Synchronisation for TIP-ON BLUMOTION

description	code	Blum code
linkage	282277	T60.1125W

Front parts for inner drawer

description	code	Blum code
M sheet metal	482348	ZV7.1043C01
C sheet metal for railing	482348	ZV7.1043C01
M latch	227603	ZI7.0M07
C sheet metal for glass	227582	ZV7.1043MN1
C railing	227596	ZR7.1080U

Synchronisation for TIP-ON

description	code	Blum code
pinion	227606	T57.7400
linkage	227607	ZST.1160W

Complete set of fittings for drawer

N	depth (mm) (NL)	load capacity (kg) type of slide	screw		EXPANDO	
			BLUMOTION, TOB	TIP-ON	BLUMOTION, TOB	TIP-ON
N	400	40	342438	342465	342442	342447
	450		344092	344105	344093	344106
	500		254857	254859	254865	254867
	550		342469	336898	336902	336906

- side height 66.5 mm • minimum height in the cabinet body 80 mm

M	depth mm (NL)	load capacity (kg) type of slide	screw		EXPANDO		inner	
			BLUMOTION, TOB	TIP-ON	BLUMOTION, TOB	TIP-ON	BLUMOTION, TOB	TIP-ON
M	270	40	254873	254874	254877	254878	254881	254882
	300		254885	254886	254889	254890	254893	254894
	350		254897	254898	254901	254902	254905	254906
	400		254909	254910	254913	254914	254917	254918
	450	40	254921	254923	254929	254931	254937	254939
		70	254922	254924	254930	254932	254938	254940
	500	40	254969	254971	254977	254979	254985	254987
		70	254970	254972	254978	254980	254986	254988
	550	40	254993	254995	255001	255003	255009	255011
		70	337655	337659	337656	337660	337657	337661
	600	40	255017	255019	255025	255027	255033	255035
		70	337675	337683	337676	337684	337677	337685
650	70	255042	255044	255050	255052	255058	255060	

- side height 90.5 mm • minimum height in the cabinet body 106 mm (104 mm for inner drawer, 109 mm with latch)

K	depth mm (NL)	load capacity (kg) type of slide	screw		EXPANDO		inner	
			BLUMOTION, TOB	TIP-ON	BLUMOTION, TOB	TIP-ON	BLUMOTION, TOB	TIP-ON
K	300	40	388413	388414	388416	388417	388420	388421
	350		337458	337462	337460	337466	389093	389094
	400		337476	337478	337477	337479	389096	389097
	450		40	260753	260755	260759	260761	389099
		70	260754	260756	260760	260762	389107	389108
	500	40	260777	260779	260783	260785	389110	389111
		70	260778	260780	260784	260786	389113	389114
	550	40	337493	337497	337494	337498	389116	389117
		70	337495	337509	337496	337514	389119	389120
	600	40	337048	340921	340923	340946	389122	389123
		70	340959	340767	340769	340771	389125	389127

- side height 128.5 mm • minimum height in the cabinet body 144 mm

Complete set of fittings for drawer

	depth mm (NL)	load capacity (kg) type of slide	screw		EXPANDO	
			BLUMOTION, TOB	TIP-ON	BLUMOTION, TOB	TIP-ON
C PURE	270	40	255185	255186	255189	255190
	300		255197	255198	255201	255202
	350		255209	255210	255213	255214
	400		255222	255223	255226	255227
	450	40	255234	255236	255242	255244
		70	255235	255237	255243	255245
	500	40	255282	255284	255290	255292
		70	255283	255285	255291	255293
	550	40	255306	255308	255314	255316
		70	337583	337587	337584	337590
	600	40	255330	255332	255338	255340
		70	337594	337596	337595	337597
650	70	255355	255357	255363	255365	

	depth mm (NL)	load capacity (kg) type of slide	inner, railing		inner, glass	
			BLUMOTION, TOB	TIP-ON	BLUMOTION, TOB	TIP-ON
C PURE	270	40	255193	255194	255378	255379
	300		255205	255206	255382	255383
	350		255218	255219	255386	255387
	400		255230	255231	255390	255391
	450	40	255250	255252	255394	255396
		70	255251	255253	255395	255397
	500	40	255298	255300	255410	255412
		70	255299	255301	255411	255413
	550	40	255322	255324	255418	255420
		70	337585	337600	337586	337601
	600	40	255346	255348	255426	255428
		70	337604	337606	337605	337607
650	70	255371	255373	255435	255437	

- side height 177 mm
- minimum height in the cabinet body 193 mm (191 mm for inner drawer)
- the complete set includes everything for drawer assembly
- complete the TIP-ON version with synchronisation
- complete the TOB version with module and synchronisation
- select the TOB module according to the depth and weight of the whole drawer
- complete the inner drawer of height M with front sheet metal
- complete the inner drawer of height C with front sheet metal and railing or a front glass



Complete set of fittings for drawer

	depth mm (NL)	load capacity (kg) type of slide	screw		EXPANDO	
			BLUMOTION, TOB	TIP-ON	BLUMOTION, TOB	TIP-ON
C FREE	350	40	343473	343803	343474	343817
	400		343475	343818	343476	343819
	450	40	343448	343696	343449	343697
		70	343451	343698	343452	343699
	500	40	255154	255156	255158	255160
		70	255155	255157	255159	255161
	550	40	343502	343839	343503	343840
		70	343504	343841	343505	343842
	600	40	343530	343864	343531	343865
		70	343532	343866	343533	343867
650	70	343538	343868	343539	343869	

	depth mm (NL)	load capacity (kg) type of slide	inner, railing		inner, glass	
			BLUMOTION, TOB	TIP-ON	BLUMOTION, TOB	TIP-ON
C FREE	350	40	344355	344357	344356	344358
	400		344361	344364	344362	344365
	450	40	344368	344372	344369	344374
		70	344370	344375	344371	344376
	500	40	255178	255180	255182	255184
		70	255179	255181	255183	255258
	550	40	344382	344386	344383	344387
		70	344384	344388	344385	344389
	600	40	344394	344398	344395	344399
		70	344396	344400	344397	344401
650	70	344406	344408	344407	344409	

- side height 177 mm • minimum height in the cabinet body 193 mm (for inner drawer 191 mm)



Complete set of fittings for drawer

	depth mm (NL)	load capacity (kg) type of slide	screw		EXPANDO	
			BLUMOTION, TOB	TIP-ON	BLUMOTION, TOB	TIP-ON
F	400	40	343340	343345	343341	343346
	450	40	255442	255444	255450	255452
		70	255443	255445	255451	255453
	500	40	255474	255476	255482	255484
		70	255475	255477	255483	255485
	550	40	255490	255492	255498	255500
		70	351406	351407	351409	351410
	600	40	255507	255509	255515	255517
		70	351412	255510	351414	255518
	650	70	255524	255526	255532	255534

- side height 241 mm • minimum height in the cabinet body 257 mm

Set of modules for TOB

length NL (mm)	weight ¹⁾	code	Blum code
270 – 300	up to 10 kg	284456	T60L7040
	10–20 kg	275343	T60L7140
350 – 650	up to 20 kg	275344	T60L7340
	15–40 kg	275345	T60L7540
	35–70 kg	275347	T60L7570

- ¹⁾ total weight of the drawer including the front and contents

Front glass for C

description	600 mm	1200 mm
high	ZE7W482G	ZE7W1082G
	227588	227590
low	ZE7V482G	ZE7V1082G
	227592	227594

- side height 128.5 mm • minimum height in the cabinet body 144 mm

Accessories

description	code	Blum code
screw for LBX	237597	61D.1500
bottom stabilisation	12839	Z96.10E1

Synchronisation for TIP-ON BLUMOTION

description	code	Blum code
linkage	282277	T60.1125W

Front parts for inner drawer

description	code	Blum code
M sheet metal	482349	ZV7.1043C01
C sheet metal for railing	482349	ZV7.1043C01
M latch	227604	Z17.0M07
C sheet metal for glass	227583	ZV7.1043MN1
C railing	227597	ZR7.1080U

Synchronisation for TIP-ON

description	code	Blum code
pinion	227606	T57.7400
linkage	227607	ZST.1160W

LEGRABOX – carbon black (CS-M)

Complete set of fittings for drawer

N	depth (mm) (NL)	load capacity (kg) type of slide	screw		EXPANDO	
			BLUMOTION, TOB	TIP-ON	BLUMOTION, TOB	TIP-ON
N	400	40	498932	498931	498934	498933
	450		498988	498986	498989	498987
	500		498982	498984	498983	498985
	550		498936	498935	498938	498937

- side height 66.5 mm • minimum height in the cabinet body 80 mm

M	depth mm (NL)	load capacity (kg) type of slide	screw		EXPANDO		inner	
			BLUMOTION, TOB	TIP-ON	BLUMOTION, TOB	TIP-ON	BLUMOTION, TOB	TIP-ON
M	270	40	499080	499077	499081	499078	499082	499079
	300		499086	499083	499087	499084	498930	499085
	350		499091	499088	499092	499089	499093	499090
	400		498996	499000	498940	499003	499004	498994
	450	40	499013	499007	499014	499008	499055	499053
		70	499015	499012	499016	499011	499056	499054
	500	40	499049	499017	499050	499048	499059	499057
		70	499051	499009	499052	499010	499060	499058
	550	40	498990	498997	499002	499005	498991	498992
		70	499006	498998	498995	498999	498993	499001
	600	40	499098	498929	499099	498939	499100	499094
		70	499101	499095	499102	499096	499103	499097
	650	70	499107	499104	499108	499105	499109	499106

- side height 90.5 mm • minimum height in the cabinet body 106 mm (104 mm for inner drawer, 109 mm with latch)

K	depth mm (NL)	load capacity (kg) type of slide	screw		EXPANDO		inner	
			BLUMOTION, TOB	TIP-ON	BLUMOTION, TOB	TIP-ON	BLUMOTION, TOB	TIP-ON
K	300	40	499298	499297	499300	499299	499302	499301
	350		499112	499110	499113	499111	499304	499303
	400		499116	499114	499117	499115	499306	499305
	450		499122	499118	499123	499119	499308	499307
		70	499124	499120	498941	499121	499310	499309
	500	40	499129	499125	499130	499126	499312	499311
		70	499131	499127	499132	499128	499314	499313
	550	40	499137	499133	499138	499134	499316	499315
		70	499139	499135	499140	499136	499047	499046
	600	40	498943	498942	498945	498944	499318	499317
70		498947	498946	498949	498948	499320	499319	

- side height 128.5 mm • minimum height in the cabinet body 144 mm

Complete set of fittings for drawer

	depth mm (NL)	load capacity (kg) type of slide	screw		EXPANDO	
			BLUMOTION, TOB	TIP-ON	BLUMOTION, TOB	TIP-ON
C PURE	270	40	499145	499141	499146	499142
	300		499153	499149	499154	499150
	350		499161	499157	499162	499158
	400		499169	499165	499170	499166
	450	40	499063	499061	499067	499065
		70	499064	499062	499068	499066
	500	40	499071	499069	499075	499073
		70	499072	499070	499076	499074
	550	40	499197	499189	499198	499190
		70	499201	499193	499202	499194
	600	40	499213	499205	499214	499206
		70	499217	499209	499218	499210
650	70	499293	499289	499294	499290	

	depth mm (NL)	load capacity (kg) type of slide	inner, railing		inner, glass	
			BLUMOTION, TOB	TIP-ON	BLUMOTION, TOB	TIP-ON
C PURE	270	40	499147	499143	499148	499144
	300		499155	499151	499156	499152
	350		499163	499159	499164	499160
	400		499171	499167	499172	499168
	450	40	499177	499173	499178	499174
		70	499179	499175	499180	499176
	500	40	499185	499181	499186	499182
		70	499187	499183	499188	499184
	550	40	499199	499191	499200	499192
		70	499203	499195	499204	499196
	600	40	499215	499207	499216	499208
		70	499219	499211	499220	499212
650	70	499295	499291	499296	499292	

- side height 177 mm
- minimum height in the cabinet body 193 mm (191 mm for inner drawer)
- the complete set includes everything for drawer assembly
- complete the TIP-ON version with synchronisation
- complete the TOB version with module and synchronisation
- select the TOB module according to the depth and weight of the whole drawer
- complete the inner drawer of height M with front sheet metal
- complete the inner drawer of height C with front sheet metal and railing or a front glass



Complete set of fittings for drawer

	depth mm (NL)	load capacity (kg) type of slide	screw		EXPANDO	
			BLUMOTION, TOB	TIP-ON	BLUMOTION, TOB	TIP-ON
C FREE	350	40	498954	498968	498955	498969
	400		498956	498970	498957	498971
	450	40	499257	499265	499258	499266
		70	499259	499267	499260	499268
	500	40	499261	499269	499262	499270
		70	499263	499271	499264	499272
	550	40	498958	498972	498959	498973
		70	498960	498974	498961	498975
	600	40	498964	498978	498965	498979
		70	498966	498980	498967	498981
	650	70	498962	498976	498963	498977

	depth mm (NL)	load capacity (kg) type of slide	inner, railing		inner, glass	
			BLUMOTION, TOB	TIP-ON	BLUMOTION, TOB	TIP-ON
C FREE	350	40	499020	499018	499021	499019
	400		499024	499022	499025	499023
	450	40	499277	499273	499278	499274
		70	499279	499275	499280	499276
	500	40	499285	499281	499286	499282
		70	499287	499283	499288	499284
	550	40	499042	499038	499043	499039
		70	499044	499040	499045	499041
	600	40	499034	499030	499035	499031
		70	499036	499032	499037	499033
	650	70	499028	499026	499029	499027

- side height 177 mm • minimum height in the cabinet body 193 mm (for inner drawer 191 mm)



Complete set of fittings for drawer

	depth mm (NL)	load capacity (kg) type of slide	screw		EXPANDO	
			BLUMOTION, TOB	TIP-ON	BLUMOTION, TOB	TIP-ON
F	400	40	498952	498950	498953	498951
	450	40	499243	499235	499244	499236
		70	499247	499237	499248	499238
	500	40	499245	499239	499246	499240
		70	499249	499241	499250	499242
	550	40	499229	499221	499230	499222
		70	499253	499251	499254	499252
	600	40	499231	499223	499232	499224
		70	499255	499225	499256	499226
	650	70	499233	499227	499234	499228

- side height 241 mm • minimum height in the cabinet body 257 mm

Set of modules for TOB

length NL (mm)	weight ¹⁾	code	Blum code
270 – 300	up to 10 kg	284456	T60L7040
	10–20 kg	275343	T60L7140
350 – 650	up to 20 kg	275344	T60L7340
	15–40 kg	275345	T60L7540
	35–70 kg	275347	T60L7570

¹⁾ total weight of the drawer including the front and contents

Front glass for C

description	600 mm	1200 mm
high	ZE7W482G	ZE7W1082G
	227588	227590
low	ZE7V482G	ZE7V1082G
	227592	227594

- side height 128.5 mm • minimum height in the cabinet body 144 mm

Accessories

description	code	Blum code
screw for LBX	237597	61D.1500
bottom stabilisation	12839	Z96.10E1

Synchronisation for TIP-ON BLUMOTION

description	code	Blum code
linkage	282277	T60.1125W

Front parts for inner drawer

description	code	Blum code
M sheet metal	491360	ZV7.1043C01
C sheet metal for railing	491360	ZV7.1043C01
M latch	491362	ZI7.0M07
C sheet metal for glass	491361	ZV7.1043MN1
C railing	491359	ZR7.1080U

Synchronisation for TIP-ON

description	code	Blum code
pinion	227606	T57.7400
linkage	227607	ZST.1160W

Complete set of fittings for drawer

M	depth mm (NL)	load capacity (kg) type of slide	screw		EXPANDO		inner	
			BLUMOTION, TOB	TIP-ON	BLUMOTION, TOB	TIP-ON	BLUMOTION, TOB	TIP-ON
450	40	40	337865	337871	337866	337872	337867	337873
		70	337868	337874	337869	337875	337870	337877
500	40	40	255124	254965	255125	254966	337884	337886
		70	255136	255111	255275	255120	337885	337891

- side height 90.5 mm • minimum height in the cabinet body 106 mm (104 mm for inner drawer, 109 mm with latch)

K	depth mm (NL)	load capacity (kg) type of slide	screw		EXPANDO		inner	
			BLUMOTION, TOB	TIP-ON	BLUMOTION, TOB	TIP-ON	BLUMOTION, TOB	TIP-ON
500	40	40	340677	340682	340679	340683	389186	389187
		70	340680	340684	340681	340685	389189	389190

- side height 128.5 mm • minimum height in the cabinet body 144 mm

C PURE	depth mm (NL)	load capacity (kg) type of slide	screw		EXPANDO	
			BLUMOTION, TOB	TIP-ON	BLUMOTION, TOB	TIP-ON
450	40	40	344955	344959	344956	344960
		70	344957	344961	344958	344962
500	40	40	260741	260743	260747	260749
		70	260742	260744	260748	260750

C PURE	depth mm (NL)	load capacity (kg) type of slide	inner, railing		inner, glass	
			BLUMOTION, TOB	TIP-ON	BLUMOTION, TOB	TIP-ON
450	40	40	344967	344971	344968	344972
		70	344969	344974	344970	344975
500	40	40	344980	344985	344981	344986
		70	344982	344987	344984	344988

- side height 177 mm
- minimum height in the cabinet body 193 mm (191 mm for inner drawer)
- the complete set includes everything for drawer assembly
- complete the TIP-ON version with synchronisation
- complete the TOB version with module and synchronisation
- select the TOB module according to the depth and weight of the whole drawer
- complete the inner drawer of height M with a front railing
- complete the inner drawer of height C with front sheet metal and railing or a front glass

 base and back cuttings, p. 03.74



LEGRABOX – stainless steel (INOX)

Complete set of fittings for drawer

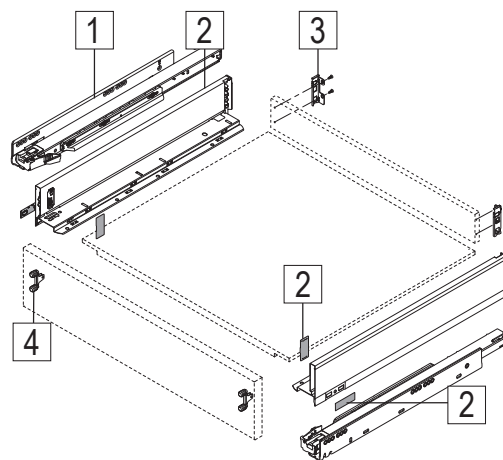
	depth mm (NL)	load capacity (kg) type of slide	screw		EXPANDO	
			BLUMOTION, TOB	TIP-ON	BLUMOTION, TOB	TIP-ON
F	450	40	342553	342556	342554	342557
		70	342564	342588	342577	342589
	500	40	342594	342596	342595	342597
		70	342602	342604	342603	342605

- side height 241 mm • minimum height in the cabinet body 257 mm

LEGRABOX – individual components

Slides

	BLUMOTION, TIP-ON BLUMOTION		TIP-ON	
	750.***1S	753.***1S	750.***1T	753.***1T
length NL (mm)	40 kg	70 kg	40 kg	70 kg
270	349902	×	227420	×
300	349903	×	227421	×
350	349904	×	227422	×
400	349905	×	227423	×
450	349906	349911	227424	227428
500	349907	349912	227425	227429
550	349908	349913	227426	227430
600	349909	349914	227427	227431
650	×	349915	×	253717



Sides N and M

height	N (66,5 mm)				M (90,5 mm)			
	770N***2S			770N***2I	770M***2S			770M***2I
length NL (mm)	SW-M	OG-M	CS-M	stainless steel	SW-M	OG-M	CS-M	stainless steel
270	×	×	×	×	227441	227442	491312	227444
300	×	×	×	×	227445	227446	491313	227448
350	×	×	×	×	227449	227450	491314	227452
400	348902	348904	491308	×	227453	227454	491315	227456
450	227433	227434	491309	227436	227457	227458	491316	227460
500	227437	227438	491310	227440	227461	227462	491317	227464
550	348914	348913	491311	×	227465	227466	491318	227468
600	×	×	×	×	227469	227470	491319	227472
650	×	×	×	×	256453	256454	491320	256456

Sides C PURE and C FREE

height	C Pure (177 mm)			C Free (177 mm)		
	770C***2S			780C***2S		
length NL (mm)	SW-M	OG-M	CS-M	SW-M	OG-M	CS-M
270	227493	227494	491328	×	×	×
300	227497	227498	491329	×	×	×
350	227501	227502	491330	256470	256471	491343
400	227505	227506	491331	256474	256475	491344
450	227509	227510	491332	256478	256479	491345
500	227513	227514	491333	256482	256483	491346
550	227517	227518	491334	256486	256487	491347
600	227521	227522	491335	256490	256491	491348
650	256457	256458	491336	256494	256495	491349

⊗ this option is not available

Back holders

		SW-M	OG-M	CS-M	stainless steel	Blum code
3	N	227549	227550	491350	227552	ZB7N000S
	M	227553	227554	491351	227556	ZB7M000S
	K	227557	227558	491352	227560	ZB7K000S
	C	227561	227562	491353	227564	ZB7C000S
	F	227565	227566	491354	227568	ZB7F000S

Material and colours

RAL colours look significantly brighter due to the rough surface.

Carbon black	CS-M
Orion grey	OG-M
Silky white	SW-M
Stainless steel (Inox), anti-fingerprint	INOX

Side K

height	K (128,5 mm)			
	770K***2S			770K***2I
length NL (mm)	SW-M	OG-M	CS-M	stainless steel
270	x	x	x	x
300	348927	348928	491321	348930
350	227473	227474	491322	227476
400	227477	227478	491323	227480
450	227481	227482	491324	227484
500	227485	227486	491325	227488
550	227489	227490	491326	227492
600	348932	348934	491327	348936
650	x	x	x	x

Side F

height	F (241 mm)			
	770F***2S			770F***2I
length NL (mm)	SW-M	OG-M	CS-M	stainless steel
270	x	x	x	x
300	x	x	x	x
350	x	x	x	x
400	336683	336685	491337	336681
450	227525	227526	491338	227528
500	227529	227530	491339	227532
550	227533	227534	491340	227536
600	227537	227538	491341	227540
650	256461	256462	491342	256464

LEGRABOX – individual components

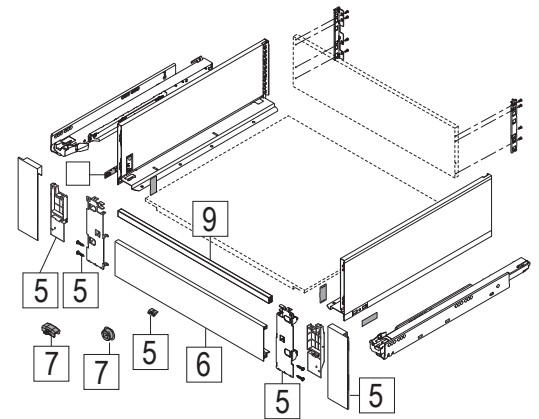
Front fittings

for height	screw		EXPANDO		required quantity / 1 slide	
	code	Blum code	code	Blum code		
4	N	227541	ZF7N7002	227542	ZF7N70E2	2
	M	227543	ZF7M7002	227544	ZF7M70E2	2
	K	227545	ZF7K7002	227546	ZF7K70E2	2
	C	227547	ZF7C7002	227548	ZF7C70E2	2
	C	227543	ZF7M7002	227544	ZF7M70E2	4
	F	227543	ZF7M7002	227544	ZF7M70E2	6
	F	227543	ZF7M7002	227544	ZF7M70E2	2 + 2
	227547	ZF7C7002	227548	ZF7C70E2		

for height	EXPANDO T (compact)		required quantity / 1 slide
	code	Blum code	
N	347994	ZF7N70T2	2
M	347995	ZF7M70T2	2
K	347996	ZF7K70T2	2
C	347997	ZF7C70T2	2
C	347995	ZF7M70T2	4
F	347995	ZF7M70T2	6
F	347995	ZF7M70T2	2 + 2
	347997	ZF7C70T2	

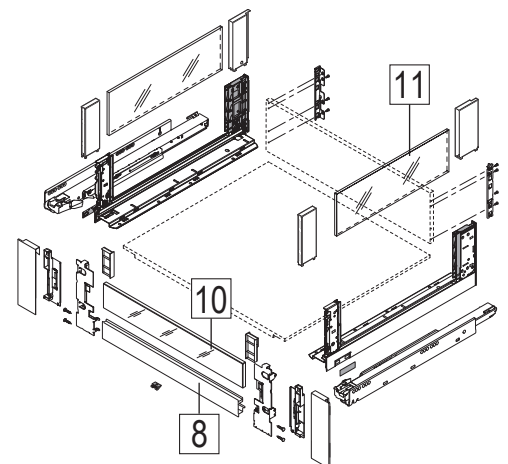
Front fittings for inner drawer

description	SW-M	OG-M	CS-M	stainless steel
	M		ZI7.OMSO	
227570		227571	491355	227573
K		ZI7.OKSO		ZI7.OKIO
	363921	363922	491356	363920
C front glass		ZI7.2CSO		ZI7.OCIO
	227574	227575	491357	227577
C front railing		ZI7.3CSO		ZI7.3CIO
	236546	236547	491358	236549



Front parts for inner drawer

description	SW-M	OG-M	CS-M	stainless steel
	M + K sheet metal		ZV7.1043C01	
482348		482349	491360	483756
C sheet metal for railing	482348	482349	491360	483756
M latch		ZI7.OM07		
	227603	227604	491362	491362
C sheet metal for glass		ZV7.1043MN1		
	227582	227583	491361	227585
C railing		ZR7.1080U		
	227596	227597	491359	227600



Front glass for C

	description	600	1200
10	high	ZE7W482G	ZE7W1082G
		227588	227590
	low	ZE7V482G	ZE7V1082G
		227592	227594

LEGRABOX Free slide-in element

	length NL (mm)		clear glass
11	450	257253	ZE7S338G
	500	257254	ZE7S388G
	550	257255	ZE7S438G
	600	257256	ZE7S488G
	650	257258	ZE7S538G

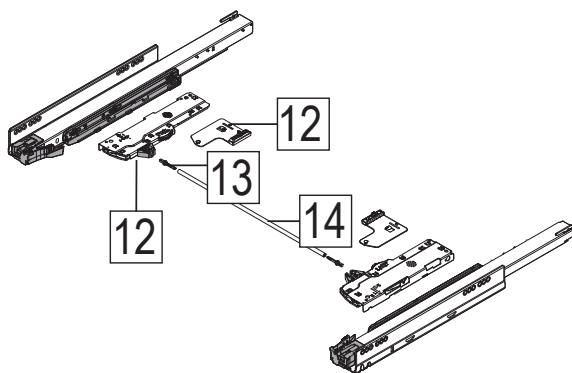
Set of modules for TOB

	length NL (mm)	weight ¹⁾ (kg)	code	Blum code
12	270 – 300	up to 10 kg	284456	T60L7040
		10–20 kg	275343	T60L7140
	350 – 650	up to 20 kg	275344	T60L7340
		5–40 kg	275345	T60L7540
		35–70 kg	275347	T60L7570

¹⁾ total weight of the drawer including the front and contents

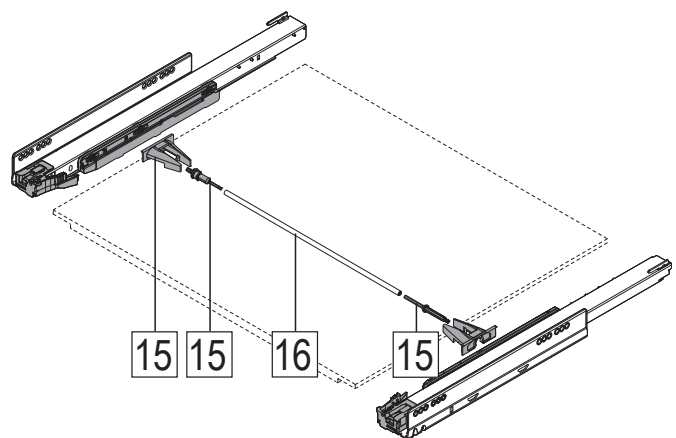
Synchronisation for TIP-ON BLUMOTION

	description	code	Blum code
13	pinion	275348	T60.000D
14	linkage	282277	T60.1125W

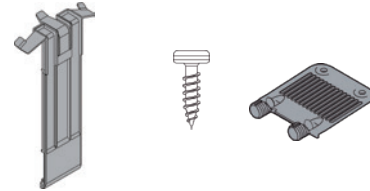


Synchronisation for TIP-ON

	description	code	Blum code
15	pinion	227606	T57.7400
16	linkage	227607	ZST.1160W



Accessories



description	code	Blum code
side stabilisation	227609	ZS7M400LU
	227611	ZS7M650LU

- additional stabilisation of excessively wide front pull-outs
- recommendation: cabinet body width KB 900–1 400 mm
- aluminium linkage, suitable for cabinet body width KB 1 400 mm, for cutting to size
- suitable for use with SERVO-DRIVE, TIP-ON and TIP-ON BLUMOTION

description	code	Blum code
screw for LBX	237597	61D.1500
EXPANDO T stabilisation	347998	Z96.00T1
bottom stabilisation	12839	Z96.10E1

Set of modules for TOB
for sink drawer

length NL (mm)	weight ¹⁾	code	Blum code
350 – 360	up to 20 kg	360754	T60L9340 ²⁾
	15–40 kg	360755	T60L9540

¹⁾ total weight of the drawer including the front and contents

²⁾ can be combined only with a cabinet profile for 40 kg

Cover caps

description	code	Blum code
inner white	306385	ZA7.5700.BT
inner grey	306384	
outer grey	306383	ZA7.0700.BT
outer white	306382	

Set for 410 or 460 mm depth

	code	Blum code	description
1	389310	Z95.4100	410 mm, Orion grey
	389311	Z95.4600	460 mm, Orion grey

- load capacity 150 kg

Set contains:

- 1a - 2× TANDEM 561Hxxx1B95 left/right
- 1b - 2× plinth leg
- 1c - 2× corner connector
- 1d - 2× support feet
- 1e - 2× slide-on holder for shelf slide
- 1f - 1× front connecting fitting (magnet and catch plate)
- 1g - 4× spring stop¹⁾
- 1h - 2× sticker (safety instructions and producer's certificate)
- 14× flat headed screws 4 × 15 mm
- 1× assembly instructions
- KB - cabinet body width
- LW - internal cabinet body width

¹⁾ - from KB > 900 mm, 4 pcs

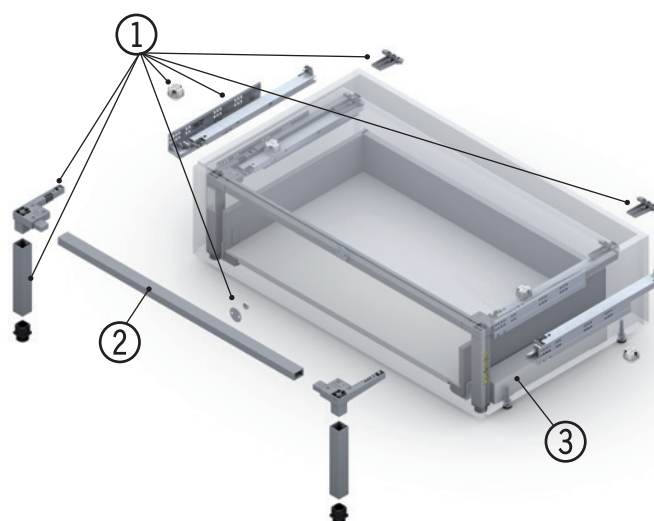


Horizontal bracket profile

	code	Blum code	length
2	389312	Z95Q1040A	1200 mm

Cutting: LW - 130 mm

Recommended: for a cabinet body width (KB) of 1 200 mm, use 2 pcs to avoid possible excessive deformation



Distance profile

	code	Blum code	description
3	389313	Z95D4100	for assembly of the bottom slide

- optionally, you don't have to make your own, solid wood
- for assembly pull-out runners, suitable for all Blum's Box systems and runner systems

¹⁾ Approval of the actual load capacity of furniture you have manufactured with Space Step must be provided by you as the manufacturer in accordance with standard EN-14183. This fact must be stated on the producer's label.

- ❗ Handleless extension of the step is ensured by the inner Tip-on or TOB drawer. The step itself cannot be extended handlelessly.

Recommended material:

For the plinth step, we recommend a coated plywood (3 layers) with a minimum thickness of at least 21 mm.

Step surface recommendations:

The surface of the step must be non-slip. For this purpose, it is possible to use a non-slip mat directly affixed to the surface of the step, or a non-slip plate.

Positioning of labels:

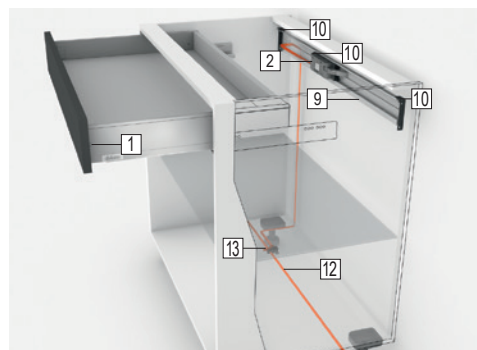
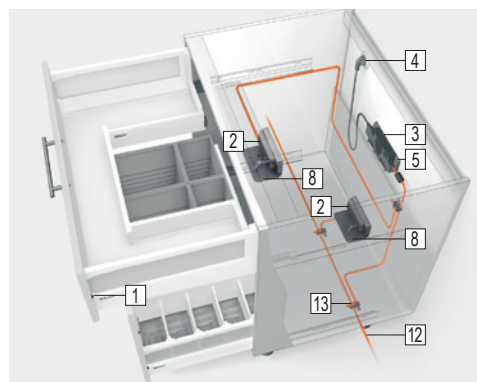
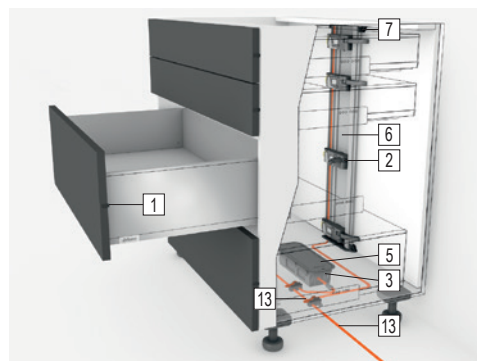
The EN-14183 standard assumes the positioning of both attached labels to be visible.

Slide under Space Step:

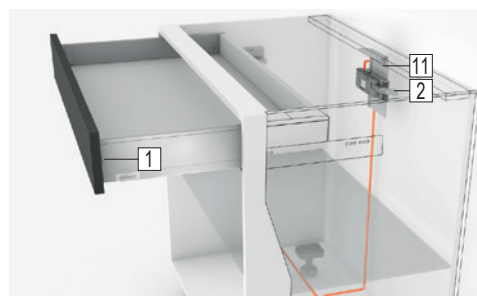
- ❗ Only 30 kg or 40 kg runner system may be used. The dynamic carrying load capacity for the slide under Space Step is 20 kg.

Individual components

	code	Blum code	description
	130787	Z10UB00EE	Uno complete set for 1 (bottom) drawer
1	99131	993.0530	distance bumper 5 mm
	99120	993.0830.01	distance bumper 8 mm
2	545023	Z10A3000	drive unit
3	523392	Z10NE04EE	power supply 72 W
4	99108	Z10M200E	power supply cable 2 m
5	991110	Z10NG000	transformer holder for assembly into base
	131344	Z10NG120	transformer holder for assembly into back
6	99113	Z10T650AA	bracket profile 650 mm with cable
	99125	Z10T670AA	bracket profile 670 mm with cable
	99111	Z10T700AA	bracket profile 700 mm with cable
	99115	Z10T750AA	bracket profile 750 mm with cable
	99129	Z10T800AA	bracket profile 800 mm with cable
7	99116	Z10T1170A	bracket profile 1 170 mm without cable
	99102	Z10D01EA.01	bracket profile attachment for base/back
	99101	Z10D01E0.01	bracket profile attachment for base/top
8	99103	Z10D0311	drive unit holder, 1 tier
	99104	Z10D7201.01	drive unit holder, 2 tiers
9	99124	Z10T1143B	horizontal bracket profile
10	99123	Z10D5210	horizontal bracket profile holder
11	99127	Z10D6252	drive unit holder, top
12	99107	Z10K800AE	distribution cable 8 m
13	132954	Z10V100E.01	connecting node + distribution cable end protector
	99105	Z10K0009	cable holder
	99106	Z10K008S	synchronisation cable, multi-core 80 mm
	99128	Z10K120S	synchronisation cable, multi-core 1200 mm
	99118	Z10K160S	synchronisation cable, multi-core 1600 mm
	375046	Z10K1HMA	distribution cable 100 m
	375045	Z10K00008	end piece of cable
	304165	Z10K300A	synchronisation cable 3 m



- The SERVO-DRIVE system allows combination of handleless opening with BLUMOTION damped closing
- there is no fixed connection between the system and the runner system of drawer; drawers can also be operated without power supply
- the minimum 2 mm offset of front from the cabinet body edge is ensured by distance bumper
- for fronts up to a height of 300 mm, 2 pcs of bumpers are mounted to the front centre; for higher ones (over 300 mm), 4 backstops in the corners

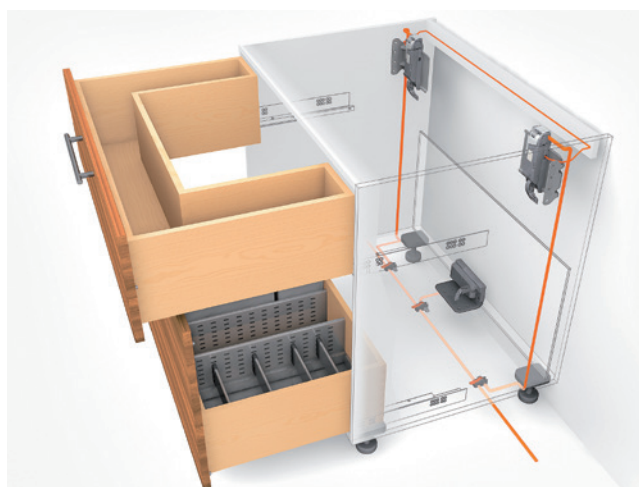


Complete set for different type and number of cabinet bodies

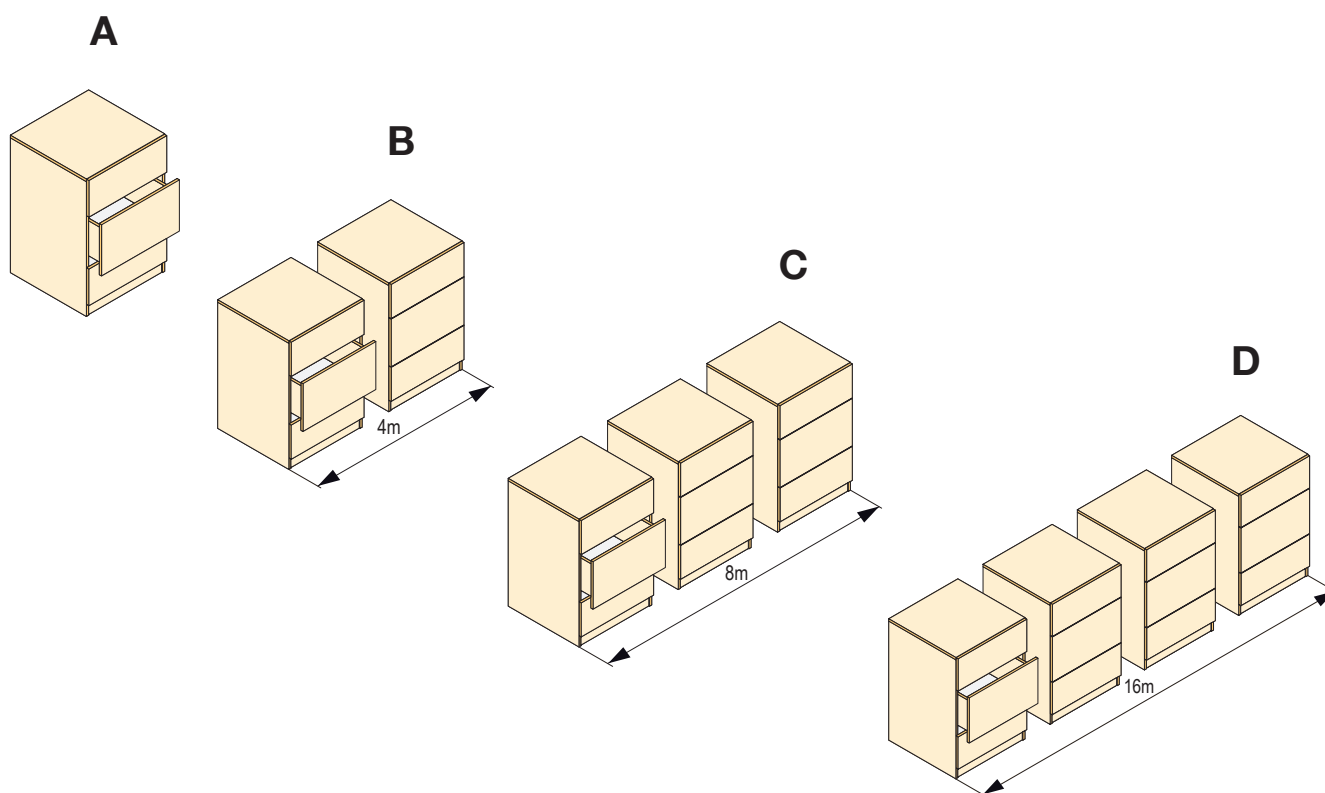
internal cabinet body height (mm)	number of drawers in the cabinet body	number of cabinet bodies			
		1	2	3	4
660-669	3	388310	388311	388312	388313
760-769	3	388314	388315	388316	388317
810-819	4	388318	388319	388321	388322
1180-1189	4	388323	388324	388326	388327
max. distance of the outer cabinet bodies (m)		4	8	16	

The complete set includes:

- drive units according to the number of drawers
- bracket profiles according to the number of cabinet bodies
- bracket profile attachment (base/back) according to the number of cabinet bodies
- distance bumpers (low - 2x; high 4x)
- distribution cable (3 cabinet bodies - 1x; 4 cabinet bodies - 2x)
- connecting nodes
- transformer
- transformer holder for mounting into the base
- power supply cable



Maximum distance of 2 outer cabinet bodies

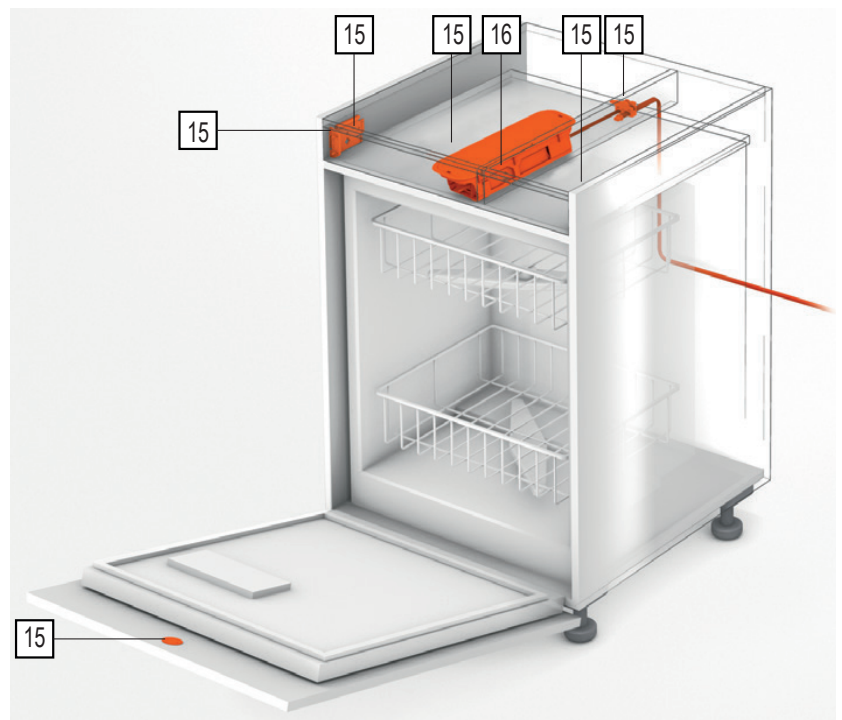


Individual components



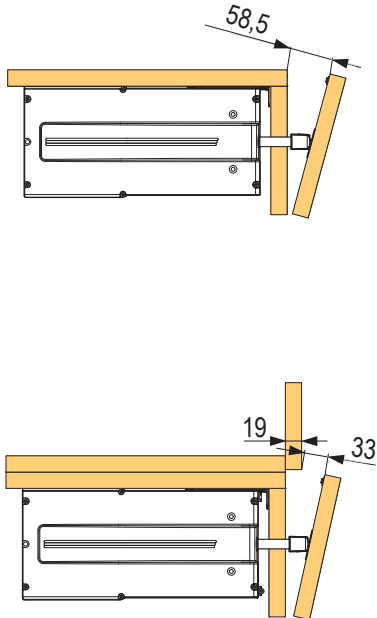
	code	Blum code	description
15	545024	Z10C500A	SERVO-DRIVE FLEX for a dishwasher, refrigerator or freezer
16	265356	Z10C5005	dishwasher adapter for SERVO-DRIVE Flex
3	523392	Z10NE04EE	power supply 72 W
15	991110	Z10NG000	transformer holder for assembly into the base
	131344	Z10NG000	transformer holder for assembly into back
4	99108	Z10M200E	power supply cable 2 m
13	132954	Z10V100E	connecting node + end cover cap protector
P	265355	Z10C5007	wireless receiver for SERVO-DRIVE Flex
	459669	23P5020	separate switch, grey
	419890	23P5020	separate switch, white
	304165	Z10K300A	synchronisation cable 3 m, light grey

- set SERVO-DRIVE FLEX includes:
 - the FLEX unit
 - connecting node
 - counterpart for doors
 - 3 distance bumpers
 - assembly template
 - cover panel clip
 - hole cover cap
- for electric opening of handleless furniture and built-in refrigerators
- Flex is designed for opening of built-in appliances, such as refrigerators (up to 178 cm), freezers (158 cm) or dishwashers
- combined refrigerators have two doors. One for a refrigerator and one for a freezer. Each door is equipped with their own Flex drive and can be opened separately
- in case of bigger and heavier refrigerator fronts, two drive units can reliably and synchronously open the door
- in case of built-in dishwashers, the drive unit should be placed at the centre of the dishwasher
- required space above (below) the appliance is at least 60 mm
- Flex is always placed on the opposite side of the hinges
- must be completed with transformer, power supply cable and transformer holder (523392, 99108, 131344) in case these items are not already part of the kitchen

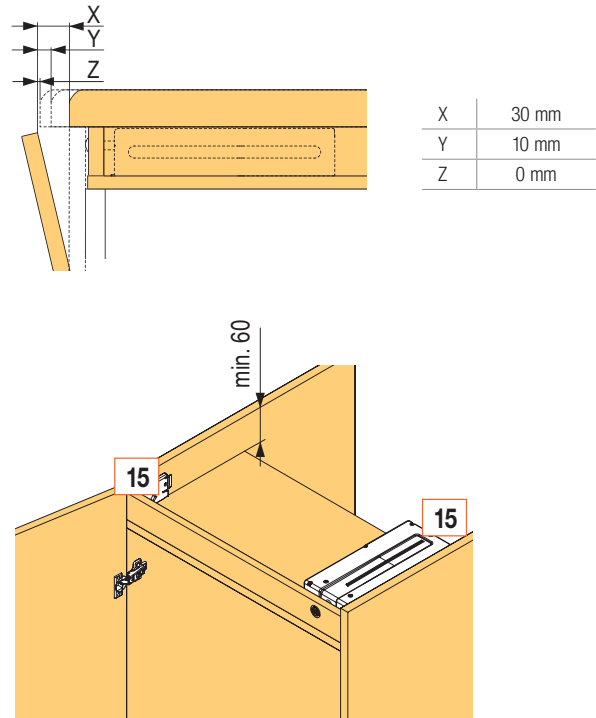


SERVO-DRIVE Flex and UNO

Door gap dimensions



Worktop overlap (APU)



UNO for drawer with waste bin



code	Blum code	description
130787	Z10UB00EE	SERVO-DRIVE Uno complete set for 1 (bottom) drawer

- electrical opening set for drawers with waste bin
- by gently tapping the front of the pull-out with a knee or a toe, the pull-out with the waste bin can be opened easily
- integrated protection against opening, prevents unintentional opening in case someone is leaning against the furniture
- the UNO set in the standby mode consumes only 3.5 kWh per year
- the minimum space in the cabinet body required for the UNO set is the length of the cabinet profiles plus 35 mm

Full extension slide, load capacity 40 and 60 kg

code	Blum code	description
349918	760H2500S	250 mm/40 kg

The 250 mm length is the only one that cannot be used in combination with TOB!

349919	760H2700S	270 mm/40 kg
349920	760H3000S	300 mm/40 kg
349921	760H3200S	320 mm/40 kg
349922	760H3500S	350 mm/40 kg
349923	760H3800S	380 mm/40 kg
349924	760H4000S	400 mm/40 kg
349925	760H4200S	420 mm/40 kg
349926	760H4500S	450 mm/40 kg
349930	760H4800S	480 mm/40 kg
349927	760H5000S	500 mm/40 kg
349931	760H5200S	520 mm/40 kg
349928	760H5500S	550 mm/40 kg
349929	760H6000S	600 mm/40 kg
349932	766H4500S	450 mm/60 kg
349934	766H5000S	500 mm/60 kg
349935	766H5200S	520 mm/60 kg
349936	766H5500S	550 mm/60 kg
349938	766H6000S	600 mm/60 kg
349939	766H6500S	650 mm/60 kg
349940	766H7000S	700 mm/60 kg
349941	766H7500S	750 mm/60 kg

- opening by a light tap, easy running, soft and silent closing
- its peculiarity is a purely mechanical course of motion
- extra large and high fronts – optional synchronisation even allows to additionally increase the space for a large trigger range
- for proper functioning, it is necessary to provide:
 - Movento runner system designed for TIP-ON BLUMOTION
 - front mounting (L + R)
 - suitable TOB module according to the depth and weight of the whole drawer
 - adapters (2 pcs)
 - synchronisation linkage
- use template 275419 for proper depth setting and adjustment

Set of modules for TOB

length NL (mm)	weight ¹⁾	code	Blum code
270 – 320	up to 10 kg	284456	T60L7140
	10–20 kg	275343	T60L7040
350 – 750	up to 20 kg	275344	T607340 ²⁾
	15–40 kg	275345	T607340
	35–70 kg	275347	T60L7570

¹⁾ total weight of the drawer including the front and contents

²⁾ cannot be combined with high load capacity runners (60 kg)

Accessories

description	code	Blum code
front mounting, left	159816	T51.7601
front mounting, right	159817	T51.7602
TOB gap adjustment template	275419	65.5631

Synchronisation

description	code	Blum code
linkage ³⁾	282277	T60.1125W
one-piece synchronisation linkage	293824	T60.300D

³⁾ the linkage length is 1 125 mm; suitable for cabinet body width of max. 1400 mm

Pull-out shelf lock

description	code	Blum code
lock for Movento/Tandem	402323	295H5700
synchronisation linkage	402313	ZST.1089W



**TIP-ON full extension slide,
load capacity 40 and 60 kg**

code	Blum code	description
159793	760H2500T	250 mm/40 kg
159794	760H2700T	270 mm/40 kg
159795	760H3000T	300 mm/40 kg
159796	760H3200T	320 mm/40 kg
159797	760H3500T	350 mm/40 kg
159798	760H3800T	380 mm/40 kg
159799	760H4000T	400 mm/40 kg
159800	760H4200T	420 mm/40 kg
159801	760H4500T	450 mm/40 kg
159802	760H4800T	480 mm/40 kg
159803	760H5000T	500 mm/40 kg
159804	760H5200T	520 mm/40 kg
159805	760H5500T	550 mm/40 kg
159806	760H6000T	600 mm/40 kg
159807	766H4500T	450 mm/60 kg
159809	766H5000T	500 mm/60 kg
159810	766H5200T	520 mm/60 kg
159811	766H5500T	550 mm/60 kg
159812	766H6000T	600 mm/60 kg
159813	766H6500T	650 mm/60 kg
159814	766H7000T	700 mm/60 kg
159815	766H7500T	750 mm/60 kg

Accessories

description	code	Blum code
front mounting, left	159816	T51.7601
front mounting, right	159817	T51.7602
synchronisation pinions	227606	T57.7400
synchronisation bar	227607	ZST.1160W
depth adjustment	159818	298.7600
side stabilisation for slide length up to 400 mm	159821	ZS7M400MU
side stabilisation for slide length up to 600 mm	159822	ZS7M600MU
side stabilisation for slide length up to 750 mm	159823	ZS7M750MU

TANDEM BLUMOTION

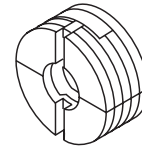
Full extension slide load capacity 30kg

code	Blum code	slide length (mm)	drawer length (mm)	inner drawer length (mm)
13519	560H2500B	250	240	256
13521	560H2700B	270	260	276
13522	560H3000B	300	290	306
13461	560H3200B	320	310	326
13523	560H3500B	350	340	356
170365	560H3800B	380	370	386
13524	560H4000B	400	390	406
13520	560H4200B	420	410	426
13525	560H4500B	450	440	456
13493	560H4800B	480	470	486
13526	560H5000B	500	490	506
13527	560H5500B	550	540	556
158774	560H6000B	600	590	606

- TANDEM Plus full extension slide with soft closing
- load capacity 30 kg
- including integrated BLUMOTION
- mounting with front clips
- for further information, see the Blum catalogue

❗ the assembly manual is available on the D emos24Plus site (www.demos-trade.com) or in the Blum catalogue (it also always comes in the package with the goods)

Accessories



description	code	Blum code
TANDEM front fitting, left	13469	T51.1700.04
TANDEM front fitting, right	13470	T51.1700.04
TANDEM stabilisation for drawers with length of up to 410 mm ¹⁾	130814	ZST.410TV
TANDEM stabilisation for drawers with length of up to 600 mm ¹⁾	130824	ZST.600TV
TANDEM stabilisation for drawers with length of up to 750 mm ¹⁾	130825	ZST.750TV
298.1000, drawer front adjustment	13693	295.1000

¹⁾ for cabinet body width 1 400 mm, cutting to size is required

Partial extension, load capacity 30 kg

code	Blum code	slide length (mm)	drawer length (mm)
13528	550H2700B	270	260
13529	550H3000B	300	290
13530	550H3500B	350	340
13531	550H4000B	400	390
13532	550H4500B	450	440
13533	550H5000B	500	490
13534	550H5500B	550	540

Full extension slide load capacity 30kg

code	Blum code	slide length (mm)
512392	560H2500T	250
512393	560H2700T	270
512394	560H3000T	300
512396	560H3500T	350
512398	560H4000T	400
512399	560H4200T	420
512400	560H4500T	450
512402	560H5000T	500
512404	560H5500T	550
512405	560H6000T	600



- full extension TANDEM with integrated TIP-ON
- for each cabinet body width KB, we recommend using synchronisation
- mounting with front clips
- linkage cutting: LW – 31 mm
- for further information, see the Blum catalogue

Partial extension, load capacity 30 kg

code	Blum code	slide length (mm)
471893	550H2700T	270
471894	550H3000T	300
471895	550H3500T	350
471896	550H4000T	400
471897	550H4500T	450
471898	550H5000T	500
471899	550H5500T	550
471900	550H6000T	600
471901	550H6500T	650

- TANDEM partial extension slide with integrated TIP-ON
- for each cabinet body width we recommend to use synchronisation
- mounting with front clips
- linkage cutting: LW – 31 mm
- for further information, see the Blum catalogue



Accessories

description	code	Blum code
TANDEM front fitting, left	13469	T51.1700.04
TANDEM front fitting, right	13470	T51.1700.04
synchronisation linkage	499867	T57.1140S

Partial extension slides

height (mm)	length (mm)							
	270 mm, white		350 mm, white		400 mm, white		450 mm, white	
"N" 56/78	13105	320N2700C15	13101	320N3500C15	13102	320N4000C15	13103	320N4500C15
"M" 86/110	13184	320M2700C15	13185	320M3500C15	13183	320M4000C15	13182	320M4500C15
"K" 117/142	×	×	13296	320K3500C15	13293	320K4000C15	13292	320K4500C15
"H" 150/174	×	×	13354	320H3500C15	13351	320H4000C15	13352	320H4500C15
external soft closing	14358	Z70.0320	14358	Z70.0320	14358	Z70.0320	14358	Z70.0320

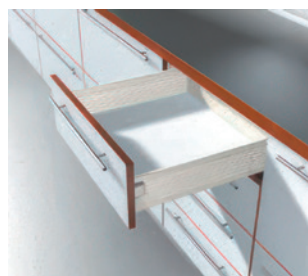
height (mm)	450 mm, grey		500 mm, white		500 mm, grey		550 mm, white	
	"N" 56/78	×	×	13100	320N5000C15	13110	×	13104
"M" 86/110	13195	320M4500C15	13180	320M5000C15	13196	320M5000C15	13181	320M5500C15
"K" 117/142	×	×	13291	320K5000C15	×	×	13290	320K5500C15
"H" 150/174	×	×	13353	320H5000C15	13358	×	13350	320H5500C15
external soft closing	14357	Z70.0320	14358	Z70.0320	14357	Z70.0320	14358	Z70.0320

- partial extension slide with raised side
- load capacity 25 kg
- adjustment in 2 directions

- creamy white (RAL9001) or grey (RAL9006)
- white or grey soft closing mechanism; latch always grey
- other colours available on request (minimum quantity must be ordered)
- for further information, see the Blum catalogue

Front attachment

assembly by	screw		INSERTA screw		EXPANDO		for knock-in	
	left	right	left	right	left	right	left	right
N	13112	13113	×	×	×	×	×	×
	ZSF.1510		×	×	×	×	×	×
M, K, H	13204	13205	13198	13199	13202	13203	13206	13207
	ZSF.1700		ZSF.1200		ZSF.130E		ZSF.1800	



Inner drawer

front clip	left	right	Blum code
N	13428	13427	ZIF.3010
M	13434	13433	ZIF.3000
K	13430	13429	ZIF.3030
H	13432	13431	ZIF.3050

Front clip cover cap for heights "M, K, H"

colour	code	Blum code
white	13209	ZAA.3500
grey	13212	

- for height "N", the cover cap is not produced
- can be printed with a logo, min. 1 000 pcs

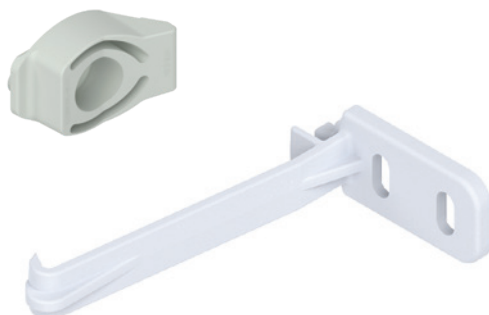
Railing

colour	350 mm	400 mm	450 mm	500 mm	550 mm
white	13421	13422	13423	13424	13425
grey	x	x	x	13443	x
Blum code	ZRE.321S.ID	ZRE.371S.ID	ZRE.421S.ID	ZRE.471S.ID	ZRE.521S.ID

❗ the assembly manual is available on the Démos24Plus site (www.demos-trade.com) or in the Blum catalogue (it also always comes in the package with the goods)

Child safety latch

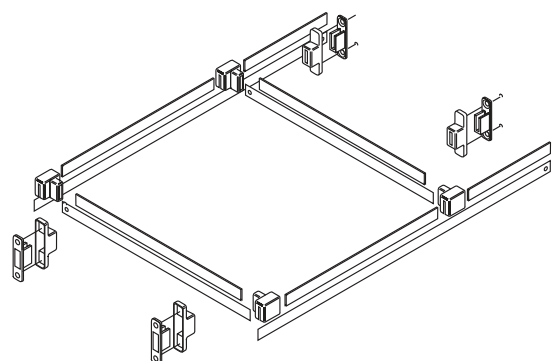
code	description
405935	safety latch



Metafile

code	Blum code	colour
12850	ZRM.5500	white
14293		grey

- suspension filing cabinet
- nominal length of 450 to 550 mm
- cabinet body width 275 to 600 mm





**slides
with thin
hollow side**

AvanTech YOU complete sets	white	03.107
	anthracite	03.108
AvanTech YOU individual components		03.109



**with
side panel**

InnoTech Atira complete sets	white	03.111
	anthracite	03.112
	silver	03.113
InnoTech Atira individual components		03.114
ArciTech complete sets	white	03.117
	anthracite	03.117
ArciTech individual components		03.118



**concealed
slides**

Actro 5D		03.121
Quadro 5D		03.122
Quadro Silent System (SiSy)		03.123
Quadro Push To Open (PTO)		03.123



**ball bearing
slides**

03.125



**roll runner
slides**

03.128

AvanTech YOU - InnoTech Atira

As special as you...

The **AvanTech YOU** drawer system impresses with its diverse design, concealed technology delivering the highest performance, and a well-thought-out concept focused on the real needs of customers. It combines precise function with maximum creative freedom.

Clean design, your own signature

Slim side panels of just **13 mm** thickness and clean, straight lines give the drawer an exceptionally elegant appearance. At the same time, they open up space for realising your own ideas and unique design solutions.

One drawer, many possibilities

Two slide types, a wide range of comfort functions, and a uniform boring pattern allow flexible combinations without complications during manufacture or assembly.

AvanTech YOU – see p. 03.107



Efficient production without compromise

The extensive **AvanTech YOU** platform is designed with efficient manufacturing and assembly processes in mind. The result is cost-effective production of a wide range of variants whilst maintaining high quality.

Design without boundaries

Different shapes, colours, and materials make it possible to carry the design from the exterior of the furniture through to its interior. Decorative profiles and DesignCape create striking accents and give the drawers a distinctive character.

Technology that holds it all together

AvanTech YOU seamlessly combines technology, functionality, and performance into one precisely tuned system.



Distinctive – Versatile – Flexible

The **InnoTech Atira** drawer system makes an immediate impression with its clean, angular lines and distinctive design. It stands out in kitchens and other interiors alike, becoming a natural part of the overall appearance of the furniture.

The single Hettich platform offers a wide range of finish options – from different colours to variable solutions for high drawers. This makes it easy to create diverse design variants and to make later modifications, such as switching from a railing to **TopSide** or **DesignSide**.

InnoTech Atira – see p.03.111



AvanTech YOU – complete sets, white

height (mm)	length (mm)	kg	Actro YOU SiSy	Quadro YOU SiSy	Quadro PTO
77	500	30	x	533072	x
		40	545141	x	x
		70	x	x	x
101	270	10	x	x	x
		30	x	533074	545083
		40	545142	x	x
	300	10	x	x	x
		30	x	533075	545084
		40	545143	x	x
	350	10	x	x	x
		30	x	533076	545085
		40	545144	x	x
	400	10	x	x	x
		30	x	533077	545086
		40	545145	x	x
	450	10	x	x	x
		30	x	533058	545087
		40	545146	x	x
	500	10	x	x	x
		30	x	533060	545088
		40	545148	x	x
	550	10	x	x	x
		30	x	533078	545089
		40	545150	x	x
	600	10	x	x	x
		30	x	533079	545090
		40	545152	x	x
	650	10	x	x	x
		30	x	x	x
		40	545153	x	x
139	300	10	x	x	x
		30	x	533088	545091
		40	545154	x	x
	350	10	x	x	x
		30	x	533089	545092
		40	545155	x	x
	400	10	x	x	x
		30	x	533090	545093
		40	545156	x	x
	450	10	x	x	x
		30	x	533091	545094
		40	545157	x	x
	500	10	x	x	x
		30	x	533092	545095
		40	545158	x	x
	550	10	x	x	x
		30	x	533093	545096
		40	545159	x	x
	600	10	x	x	x
		30	x	533094	545097
		40	545160	x	x
	650	10	x	x	x
		30	x	x	x
		40	545161	x	x
	700	10	x	x	x
		30	x	x	x
		40	545162	x	x
750	10	x	x	x	
	30	x	x	x	
	40	545163	x	x	
800	10	x	x	x	
	30	x	x	x	
	40	545164	x	x	

height (mm)	length (mm)	kg	Actro YOU SiSy	Quadro YOU SiSy	Quadro PTO
187	270	10	x	x	x
		30	x	533081	545098
		40	545165	x	x
	300	10	x	x	x
		30	x	533082	545099
		40	545166	x	x
	350	10	x	x	x
		30	x	533083	545100
		40	545167	x	x
	400	10	x	x	x
		30	x	533084	545101
		40	545168	x	x
	450	10	x	x	x
		30	x	533059	545102
		40	545169	x	x
	500	10	x	x	x
		30	x	533061	545103
		40	545170	x	x
	550	10	x	x	x
		30	x	533062	545104
		40	545171	x	x
	600	10	x	x	x
		30	x	533085	545105
		40	545172	x	x
	650	10	x	x	x
		30	x	533086	545106
		40	545173	x	x
	700	10	x	x	x
		30	x	533087	545107
		40	545174	x	x
750	10	x	x	x	
	30	x	533088	545108	
	40	545175	x	x	
800	10	x	x	x	
	30	x	533089	545109	
	40	545176	x	x	
850	10	x	x	x	
	30	x	533090	545110	
	40	545177	x	x	
900	10	x	x	x	
	30	x	533091	545111	
	40	545178	x	x	
950	10	x	x	x	
	30	x	533092	545112	
	40	545179	x	x	
1000	10	x	x	x	
	30	x	533093	545113	
	40	545180	x	x	
1050	10	x	x	x	
	30	x	533094	545114	
	40	545181	x	x	
1100	10	x	x	x	
	30	x	533095	545115	
	40	545182	x	x	
1150	10	x	x	x	
	30	x	533096	545116	
	40	545183	x	x	
1200	10	x	x	x	
	30	x	533097	545117	
	40	545184	x	x	
1250	10	x	x	x	
	30	x	533098	545118	
	40	545185	x	x	
1300	10	x	x	x	
	30	x	533099	545119	
	40	545186	x	x	
1350	10	x	x	x	
	30	x	533100	545120	
	40	545187	x	x	
1400	10	x	x	x	
	30	x	533101	545121	
	40	545188	x	x	
1450	10	x	x	x	
	30	x	533102	545122	
	40	545189	x	x	
1500	10	x	x	x	
	30	x	533103	545123	
	40	545190	x	x	
1550	10	x	x	x	
	30	x	533104	545124	
	40	545191	x	x	
1600	10	x	x	x	
	30	x	533105	545125	
	40	545192	x	x	
1650	10	x	x	x	
	30	x	533106	545126	
	40	545193	x	x	
1700	10	x	x	x	
	30	x	533107	545127	
	40	545194	x	x	
1750	10	x	x	x	
	30	x	533108	545128	
	40	545195	x	x	
1800	10	x	x	x	
	30	x	533109	545129	
	40	545196	x	x	
1850	10	x	x	x	
	30	x	533110	545130	
	40	545197	x	x	
1900	10	x	x	x	
	30	x	533111	545131	
	40	545198	x	x	
1950	10	x	x	x	
	30	x	533112	545132	
	40	545199	x	x	
2000	10	x	x	x	
	30	x	533113	545133	
	40	545200	x	x	

The complete set in the tables always includes:

- 1 pair of slides
- 1 pair of sides
- 2 pcs of front clips
- 2 pcs of decorative profile in the colour of the sides
- 2 pcs of back stabiliser
- fixing material



AvanTech YOU – complete sets, anthracite

height (mm)	length (mm)	kg	Actro YOU SiSy	Quadro YOU SiSy	Quadro PtO
77	500	30	x	533138	x
		40	545187	x	x
		70	x	x	x
101	270	10	x	x	x
		30	x	533140	545112
		40	545188	x	x
	300	10	x	x	x
		30	x	533141	545113
		40	545189	x	x
	350	10	x	x	x
		30	x	533142	545114
		40	545190	x	x
	400	10	x	x	x
		30	x	533143	545115
		40	545191	x	x
	450	30	x	533062	545116
		40	545192	x	x
		70	545193	x	x
	500	30	x	533064	545117
		40	545194	x	x
		70	545195	x	x
	550	30	x	533144	545118
		40	545196	x	x
		70	545197	x	x
	600	30	x	533145	545119
		40	545198	x	x
		70	545199	x	x
	650	40	x	x	x
		70	x	x	x
		70	x	x	x
139	300	10	x	x	x
		30	x	533147	545120
		40	545200	x	x
	350	10	x	x	x
		30	x	533148	545121
		40	545201	x	x
	400	30	x	533149	545122
		40	545202	x	x
	450	30	x	533150	545123
		40	545203	x	x
		70	545204	x	x
	500	30	x	533151	545124
		40	545205	x	x
		70	545206	x	x
	550	30	x	533152	545125
		40	545207	x	x
		70	545208	x	x
	600	30	x	533153	545126
		40	545209	x	x
		70	545210	x	x

The complete set in the tables always includes:

- 1 pair of slides
- 1 pair of sides
- 2 pcs of front clips
- 2 pcs of decorative profile in the colour of the sides
- 2 pcs of back stabiliser
- fixing material

height (mm)	length (mm)	kg	Actro YOU SiSy	Quadro YOU SiSy	Quadro PtO	
187	270	10	x	x	x	
		30	x	533155	545127	
		40	545211	x	x	
	300	10	x	x	x	
		30	x	533156	545128	
		40	545212	x	x	
	350	10	x	x	x	
		30	x	533157	545129	
		40	545213	x	x	
	400	10	x	x	x	
		30	x	533158	545130	
		40	545214	x	x	
	450	30	x	533063	545131	
		40	545215	x	x	
		70	545216	x	x	
	500	30	x	533065	545132	
		40	545217	x	x	
		70	545218	x	x	
	550	30	x	533159	545133	
		40	545219	x	x	
		70	545220	x	x	
	600	30	x	533160	545134	
		40	545221	x	x	
		70	545222	x	x	
	650	40	x	x	x	
		70	x	x	x	
		70	x	x	x	
	251	350	10	x	x	x
			30	x	533162	545135
			40	545223	x	x
400		10	x	x	x	
		30	x	533163	545136	
		40	545224	x	x	
450		30	x	533164	545137	
		40	545225	x	x	
		70	545226	x	x	
500		30	x	533165	545138	
		40	545227	x	x	
		70	545228	x	x	
550		30	x	533166	545139	
		40	545229	x	x	
		70	545230	x	x	
600		30	x	533167	545140	
		40	545231	x	x	
		70	545232	x	x	
650		40	x	x	x	
		70	x	x	x	



Slides

length (mm)	Actro YOU Silent System (kg)		Quadro YOU Silent System (kg)		Quadro YOU Push to open (kg)
	40	70	10	30	30
270	397775 + 397776	x	397806 + 397807	397812 + 397813	397834 + 397835
300	397777 + 397778	x	397808 + 397809	397814 + 397815	397836 + 397837
350	397779 + 397780	x	397810 + 397811	397816 + 397817	397838 + 397839
400	397781 + 397782	x	x	397818 + 397819	397840 + 397841
450	397783 + 397784	397791 + 397792	x	397820 + 397821	397842 + 397843
500	397785 + 397786	397793 + 397794	x	397822 + 397823	397844 + 397845
550	397787 + 397788	397795 + 397796	x	397824 + 397825	397846 + 397847
600	397789 + 397790	398924 + 398925	x	397826 + 397827	397848 + 397849
650	x	397797 + 397798	x	x	x

Sides

length (mm)	white				
	77	101	139	187	251
270	x	530016	530043	530070	x
300	x	530017	530044	530071	x
350	x	530018	530045	530072	530095
400	529999	530019	530046	530073	530096
450	530000	530020	530047	530074	530097
500	530001	530021	530048	530075	530098
550	530002	530022	530049	530076	530099
600	x	530023	530050	530077	530100
650	x	530024	530051	530078	530101

Sides in industrial packaging

length (mm)	white					
	101		139		187	
	left	right	left	right	left	right
450	396687	396688	x	x	396835	396836
500	396689	396690	396760	396761	396837	396838

Back holders

for height sides (mm)	white		anthracite	
	left	right	left	right
101	397352	397353	397360	397362
139	397354	397355	397363	397364
187	397356	397357	397365	397366
251	397358	397359	397367	397368

Synchronisation

description	code
linkage 2 000 mm	318279
coupling for use on 2 drawers	318281

Cover profile for the top edge of the sides (1 pc)

length (mm)	white	anthracite	stainless steel imitation	bronze	silver
270	532173	532172	532199	544872	532174
300	532176	532175	532200	544873	532177
350	532179	532178	532201	544874	532180
400	532182	532181	532202	544875	532183
450	532185	532184	532203	544876	532186
500	532188	532187	532204	544877	532189
550	532191	532190	532205	544878	532192
600	532194	532193	532206	544879	532195
650	532197	532196	532207	544880	532198

anthracite				
77	101	139	187	251
×	530025	530052	530079	×
×	530026	530053	530080	×
×	530027	530054	530081	530102
530003	530028	530055	530082	530103
530004	530029	530056	530083	530104
530005	530030	530057	530084	530105
530006	530031	530058	530085	530106
×	530032	530059	530086	530107
×	530033	530060	530087	530108

Side panel height 187 for custom material

length (mm)	white	anthracite
400	396938	396945
450	396939	396946
500	396940	396947

Fittings for inner drawer on side panels for custom materials

	front holders		front profile (2000 mm)	
	white	anthracite	white	anthracite
187	397755	397756	397749	397750

Side panel height 187 for glass

length (mm)	white		anthracite	
	left	right	left	right
500	396971	396972	396985	396986

Front clip

for side height (mm)	screw	dowel
77	396631	396632
101	396715	396716
139	396780	396781
187/251	396863	396864
187 ¹⁾	396993	396994
251 ²⁾	396928	396929

¹⁾ side panel clip 187 for glass

²⁾ front stabiliser for 251

Fittings for inner drawer

	front holders		front profile (2000 mm)	
	white	anthracite	white	anthracite
101	397381	397384	397372	397375
139	397382	397385	397373	397376
187	397383	397386	397374	397377

Fittings for inner drawer (custom material)

	front holders		front profile (2000 mm)	
	white	anthracite	white	anthracite
187	397752	397753	397749	397750

Atira – complete sets

Atira – complete sets, white

height (mm)	length (mm)	kg	Silent System	Push to open Silent	Push to Open	
54	470	30	357689	357691	x	
		50	x	x	x	
70	260	10	x	357717	x	
		30	357692	357720	357704	
	300	10	x	357718	x	
		30	357693	357721	357705	
		50	357698	357726	357711	
	350	10	x	357719	x	
		30	357694	357722	357706	
		50	357699	357727	357712	
	420	10	x	x	x	
		30	357695	357723	357707	
		50	357700	357728	357713	
	470	10	x	x	x	
		30	357696	357724	357709	
		50	357701	357729	357714	
	520	10	x	x	x	
		30	357697	357725	x	
		50	357702	357730	357715	
	620	10	x	x	x	
		30	x	x	x	
		50	357703	357731	357716	
	144	260	10	x	357756	x
			30	357732	357759	357744
		300	10	x	357757	x
			30	357733	357760	357745
50			357738	357765	357750	
350		10	x	357758	x	
		30	357734	357761	357746	
		50	357739	357766	357751	
420		10	x	x	x	
		30	357735	357762	357747	
		50	357740	357767	357752	
470		10	x	x	x	
		30	357736	357763	357748	
		50	357741	357768	357753	
520		10	x	x	x	
		30	357737	357764	x	
		50	357742	357769	357754	
620		10	x	x	x	
		30	x	x	x	
		50	357743	357770	357755	

height (mm)	length (mm)	kg	Silent System	Push to open Silent	Push to Open
176	260	10	x	357796	x
		30	357771	357799	357784
	300	10	x	357797	x
		30	357772	357800	357785
		50	357778	357806	357790
	350	10	x	357798	x
		30	357773	357801	357786
		50	357779	357808	357791
	420	10	x	x	x
		30	357774	357802	357787
		50	357780	357810	357792
	470	10	x	x	x
		30	357775	357803	357788
		50	357781	357811	357793
	520	10	x	x	x
		30	357777	x	x
		50	357782	357812	357794
	620	10	x	x	x
		30	x	x	x
		50	357783	357814	357795



- The complete set in the tables always includes:
- 1 pair of slides
 - 1 pair of sides
 - 2 pcs of front clips with spacer sleeve
 - 2 pcs of rear panel holder (left and right)
 - 2 pcs of plastic cover caps with Hettich logo

Atira – complete sets, anthracite

height (mm)	length (mm)	kg	Silent System	Push to open Silent	Push to Open	
54	470	30	357882	357884	357883	
		50	x	x	x	
70	260	10	x	357909	x	
		30	357885	357912	357897	
	300	10	x	357910	x	
		30	357886	357913	357898	
		50	357891	357918	357903	
	350	10	x	357911	x	
		30	357887	357914	357899	
		50	357892	357919	357904	
	420	10	x	x	x	
		30	357888	357915	357900	
		50	357893	357920	357905	
	470	10	x	x	x	
		30	357889	357916	357901	
		50	357894	357921	357906	
	520	10	x	x	x	
		30	357890	357917	357902	
		50	357895	357922	357907	
	620	10	x	x	x	
		30	x	x	x	
		50	357896	357923	357908	
	144	260	10	x	357950	x
			30	357924	357953	357937
		300	10	x	357951	x
			30	357925	357954	357938
50			357930	357960	357943	
350		10	x	357952	x	
		30	357926	357955	357939	
		50	357931	357961	357945	
420		10	x	x	x	
		30	357927	357956	357940	
		50	357932	357962	257946	
470		10	x	x	x	
		30	357928	357957	357941	
		50	357933	357963	357947	
520		10	x	x	x	
		30	357929	357958	357942	
		50	357934	357964	357948	
620		10	x	x	x	
	30	x	x	x		
	50	357936	357965	357949		

height (mm)	length (mm)	kg	Silent System	Push to open Silent	Push to Open
176	260	10	x	357991	x
		30	357966	357994	357979
	300	10	x	357992	x
		30	357967	357995	357980
		50	357972	358000	357985
	350	10	x	357993	x
		30	357968	357996	357981
		50	357974	358001	357986
	420	10	x	x	x
		30	357969	357997	357982
		50	357975	358002	357987
	470	10	x	x	x
		30	357970	357998	357983
		50	357976	358003	357988
	520	10	x	x	x
		30	357971	357999	357984
		50	357977	358004	357989
	620	10	x	x	x
		30	x	x	x
		50	357978	358005	357990



The complete set in the tables always includes:

- 1 pair of slides
- 1 pair of sides
- 2 pcs of front clips with spacer sleeve
- 2 pcs of rear panel holder (left and right)
- 2 pcs of plastic cover caps with Hettich logo

Atira – complete sets

Atira – complete sets, silver

height (mm)	length (mm)	kg	Silent System	Push to open Silent	Push to Open
54	470	30	358073	358075	358074
		50	x	x	x
70	260	10	x	358100	x
		30	358076	358103	358088
	300	10	x	358101	x
		30	358077	358104	358089
		50	358082	358109	358094
	350	10	x	358102	x
		30	358078	358105	358090
		50	358083	358110	358095
	420	10	x	x	x
		30	358079	358106	358091
		50	358084	358111	358096
	470	10	x	x	x
		30	358080	358107	358092
		50	358085	358112	358097
	520	10	x	x	x
		30	358081	358108	358093
		50	358086	358113	358098
	620	10	x	x	x
		30	x	x	x
		50	358087	358114	358099
144	260	10	x	358139	x
		30	358115	358142	358127
	300	10	x	358140	x
		30	358116	358143	358128
		50	358121	358148	358133
	350	10	x	358141	x
		30	358117	358144	358129
		50	358122	358148	358134
	420	10	x	x	x
		30	358118	358145	358130
		50	358123	358150	358135
	470	10	x	x	x
		30	358119	358146	358131
		50	358124	358151	358136
	520	10	x	x	x
		30	358120	358147	358132
		50	358125	358152	358137
	620	10	x	x	x
		30	x	x	x
		50	358126	358153	358138

height (mm)	length (mm)	kg	Silent System	Push to open Silent	Push to Open
176	260	10	x	358179	x
		30	358154	358182	358166
	300	10	x	358180	x
		30	358155	358183	358167
		50	358160	358188	358172
	350	10	x	358181	x
		30	358186	358184	358168
		50	358161	358189	358173
	420	10	x	x	x
		30	358157	358185	358169
		50	358162	358190	358174
	470	10	x	x	x
		30	358158	358186	358170
		50	358193	358191	358176
	520	10	x	x	x
		30	358159	358187	358171
		50	358164	358192	358177
	620	10	x	x	x
		30	x	x	x
		50	358165	358193	358178



Atira – individual components

Slides

length (mm)	Silent System (kg)		Push to open Silent (kg)			Push to open (kg)	
	30	50	10	30	50	30	50
260	185713 + 185715	×	352798	352807 + 352808	×	210459	×
300	185794 + 185795	489559 + 489560	352801 + 352802	352810 + 352811	352870 + 352871	210432	210449
350	467404 + 467405	489557 + 489558	352804 + 352805	352813 + 352814	352873 + 352874	210433	294589 + 294590
420	185718 + 185719	105259	×	352816 + 352817	352876 + 352877	210434	210451
470	457551 + 457552	456734 + 456733	×	352819 + 352820	352879 + 352880	208912 + 208913	210452
520	465203 + 465204	458701 + 458702	×	352822 + 352823	352882 + 352883	210436	210394
620	×	458033 + 458034	×	×	352885 + 352886	×	210395

Sides 70

length (mm)	white	anthracite	silver
260	486152	486153	486151
300	486155	486156	486154
350	486158	486159	486157
420	486161	486162	486160
470	486164	486165	486163
520	486167	486168	486166
620	486170	486171	486169

Sides 144

length (mm)	white	anthracite	silver
260	489844	489858	489851
300	489845	489859	489852
350	489846	489860	489853
420	489847	489861	489854
470	489848	489862	489855
520	489849	489863	489856
620	489850	489864	489857

Sides 176

length (mm)	white	anthracite	silver
260	489865	489879	489872
300	489866	489880	489873
350	489867	489881	489874
420	489868	489882	489875
470	489869	489883	489876
520	489870	489884	489877
620	489871	489885	489878

Sides in industrial packaging

length (mm)	white		anthracite		silver	
	left	right	left	right	left	right
350	294630	294631	294644	294645	294620	294621
420	294632	294633	294646	294647	294622	294623
470	294634	294635	294648	294649	288846	288847
520	294636	294637	294650	294651	288848	288849

Sides 54

length (mm)	white	anthracite	silver
470	486149	486148	486150

Cover caps

white		dark grey		silver	
Hettich logo	blank	Hettich logo	blank	Hettich logo	blank
294841	294838	294842	294839	288905	294837

Back holders

for height (mm)	white		anthracite		silver	
	left	right	left	right	left	right
70	294825	294826	294827	294828	106900	106902
144	294829	294830	294831	294832	106903	106904
176	294833	294834	294835	294836	106888	106889

Front clip

screw	dowel
106878	103821

Atira – individual components

TopSide raised sides in combination with railing

length (mm)	metal						glass	
	white		anthracite		silver			
	144	176	144	176	144	176	144	176
470	294882	294903	294889	294910	294875	294896	294859	294868
520	294883	294904	294890	294911	294876	294897	294860	294869

TopSide raised sides in combination with railing

adapter					
white		anthracite		silver	
144	176	144	176	144	176
294850	294853	294851	294854	294849	294852

DesignSide raised sides self-supporting

code	white		anthracite		silver	
	144	176	144	176	144	176
470	294980	295001	294987	295008	294973	294994
520	294981	295002	294988	295009	294974	294995

Push to Open Silent Mechanism

code	max. drawer weight (kg)	load capacity of the slide (kg)	slide length (mm)
352906	<10	10	260 – 350
352907	8 – 20	30	260 – 520
352908	10 – 30	30	260 – 520
352909	20 – 50	50	300 – 620

Synchronisation

code	description
318279	linkage 2.000 mm
318281	coupling for use on 2 drawers

Railing

length (mm)	white		anthracite		silver	
	top	centre	top	centre	top	centre
260	360241	×	360248	×	360255	×
300	360242	×	360249	×	360256	×
350	360243	×	360250	×	360257	×
420	360244	×	360251	×	360258	×
470	360245	360264	360252	360266	360259	360268
520	360246	360265	360253	360267	360260	360269
620	360247	×	360254	×	360261	×

Front clip for inner drawer

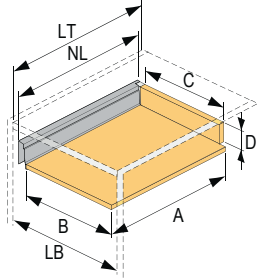
for height (mm)	white	anthracite	silver
70	295276	295277	105554
144	467389	459932	458035

Front parts for inner drawer

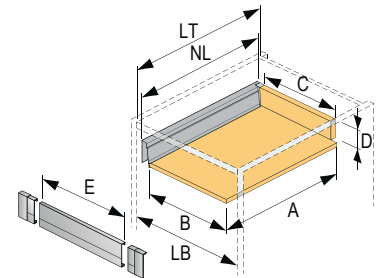
	white	anthracite	silver
railing	294822	294823	548321
aluminium profile	294940	288900	294941

InnoTech Atira drawings and cutting calculations

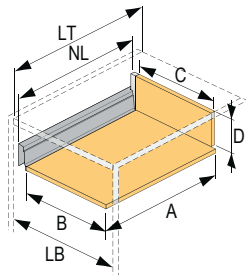
Drawings and tables for base and back cuttings

Front drawer, height 70 mm


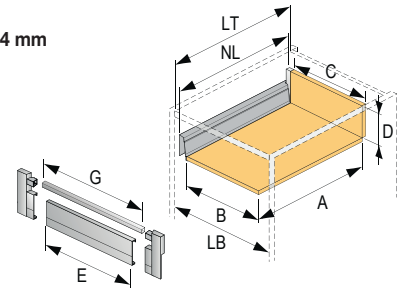
description	wooden back	steel back
A	NL +10	NL - 3
B	LB - 2× EB - 51,5	LB - 2× EB - 51,5
C	LB - 2× EB - 63	-
D	65,5	-

Inner drawer, height 70 mm


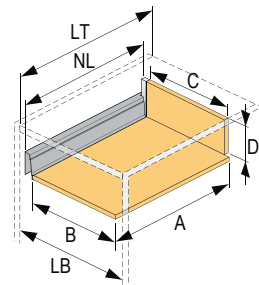
description	wooden back	steel back
A	NL +10	NL - 3
B	LB - 2× EB - 51,5	LB - 2× EB - 51,5
C	LB - 2× EB - 63	-
D	65,5	-
E	LB - 2× EB - 57,5	LB - 2× EB - 57,5

Front drawer, height 70/144 mm


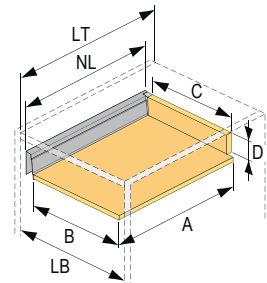
description	wooden back	steel back
A	NL +10	NL - 3
B	LB - 2× EB - 51,5	LB - 2× EB - 51,5
C	LB - 2× EB - 63	-
D	144	-

Inner drawer, height 70/144 mm


description	wooden back	steel back
A	NL +10	NL - 3
B	LB - 2× EB - 51,5	LB - 2× EB - 51,5
C	LB - 2× EB - 63	-
D	144	-
E	LB - 2× EB - 57,5	LB - 2× EB - 57,5
G	LB - 2× EB - 90,5	LB - 2× EB - 90,5

Front drawer, height 70/176 mm


description	wooden back	steel back
A	NL + 10	NL - 3
B	LB - 2× EB - 51,5	LB - 2× EB - 51,5
C	LB - 2× EB - 63	-
D	176	-

Front drawer, height 54 mm


description	wooden back	steel back
A	NL + 10	NL - 3
B	LB - 2× EB - 51,5	LB - 2× EB - 51,5
C	LB - 2× EB - 63	-
D	53	-

ArciTech

- Lightness, strength and elegance in one – that is ArciTech.
- A system that handles even heavy drawers with ease whilst remaining perfectly quiet and smooth.
- Thanks to the robust Actro slide, it carries everything without losing lightness of movement.
- ArciTech brings modern design in line with the latest trends and enables the creation of high, wide, and deep drawers with precise operation.
- The result is furniture that meets the highest demands for both functionality and aesthetics.
- Quiet. Strong. Flexible.



White, Silent System 40 kg

height (mm)	length (mm)	dowel	inner
94	300	354345	354507
	350	354357	354515
	400	354368	354522
	450	354388	354534
	500	354408	354546
	550	354438	354564
186 mm with railing	300	354346 + 360208	354508 + 360208
	350	354358 + 360210	354516 + 360210
	400	354369 + 360211	354523 + 360211
	450	354389 + 360212	354535 + 360212
	500	354409 + 360213	354547 + 360213
	550	354439 + 360214	354565 + 360214
218 mm with railing	300	354347 + 360208	354509 + 360208
	350	354359 + 360210	354517 + 360210
	400	354370 + 360211	354524 + 360211
	450	354390 + 360212	354536 + 360212
	500	354410 + 360213	354548 + 360213
	550	354440 + 360214	354566 + 360214
250 mm with railing	300	354348 + 360208	x
	350	354360 + 360210	x
	400	354371 + 360211	x
	450	354391 + 360212	x
	500	354411 + 360213	x
	550	354441 + 360214	x
282 mm with railing	300	354347 + 360208	x
	350	354359 + 360210	x
	400	354370 + 360211	x
	450	354390 + 360212	x
	500	354410 + 360213	x
	550	354440 + 360214	x

The complete set in the tables always includes:

- 1 pair of sides
- 1 pair of slides
- 2 pcs of cover caps with Hettich logo
- 1 pair of front holders with split dowel / front sheet metal holders
- 1 pair of back holders of appropriate height
- for high drawers, the second code is 1 pair of railings
- in case of inner drawers, complete with front sheet metal or front railing according to the width and number of drawers

Anthracite, Silent System 40 kg

dowel	inner
x	x
x	x
x	x
354668	354814
354688	354826
x	x
x	x
x	x
x	x
354669 + 360220	354815 + 360220
354689 + 360222	354827 + 360222
x	x
x	x
x	x
x	x
354670 + 360220	354816 + 360220
354690 + 360222	354828 + 360222
x	x
x	x
x	x
x	x
354671 + 360220	x
354691 + 360222	x
x	x
x	x
x	x
x	x
354672 + 360220	x
354692 + 360222	x
x	x

The complete set in the tables always includes:

- 1 pair of sides
- 1 pair of slides
- 2 pcs of cover caps with Hettich logo
- 1 pair of front holders with split dowel / front sheet metal holders
- 1 pair of back holders of appropriate height
- for high drawers, the second code is 1 pair of railings
- in case of inner drawers, complete with front sheet metal or front railing according to the width and number of drawers

Slides

Silent System (kg)	
length (mm)	40
300	352605 + 352606
350	352611 + 352612
400	352614 + 352615
450	352620 + 352621
500	352626 + 352627
550	352635 + 352636

Front clip

screw	dowel
226204	226203

Front clip for inner drawer

for height (mm)	white	anthracite
94	226259	237456
186	226265	237458
218	226268	237459

Push to Open Silent Mechanism

code	max. drawer weight (kg)	load capacity of the slide (kg)	length of the slide (mm)
352767	<10	10	270 – 350
352768	8 – 20	40	270 – 650
352769	10 – 40	40	270 – 650
352770	20 – 80	60/80	400 – 650

Cover caps

white		anthracite		aluminium
Hettich logo	blank	Hettich logo	blank	Hettich logo
226199	226194	226198	226193	226202

Sides 94

length (mm)	white	anthracite
300	235134	×
350	235135	×
400	235136	×
450	235137	235053
500	235138	235056
550	235139	×

Back holders

for height (mm)	white		anthracite	
	left	right	left	right
94	225911	225912	225913	225914
126	225917	225918	225919	225920
185	225923	225924	225925	225926
218	225929	225930	225931	225932
250	225935	225936	225937	225938
282	225941	225942	225943	225944

Railing

length (mm)	white		anthracite	
	left	right	left	right
300	225969	225970	×	×
350	225977	225978	×	×
400	225985	225986	×	×
450	225993	225994	225991	225992
500	226001	226002	225999	226000
550	226009	226010	×	×

Front parts for inner drawer

	white	anthracite
railing	226259	237456
aluminium profile	226265	237458

Front clip for inner drawer

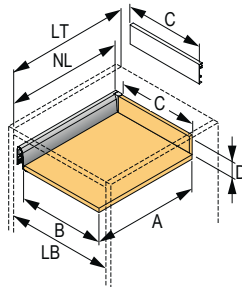
description	code
linkage 2 000 mm	318279
coupling for use on 2 drawers	318281

Sides in industrial packaging

length (mm)	white	
	left	right
450	225568	225569
500	225570	225571

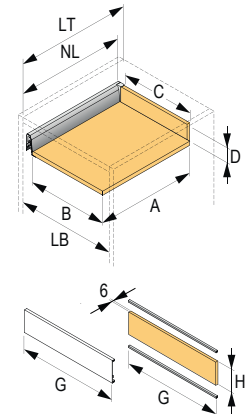
Front drawer, height 94 mm

de-scription	wooden back	steel back
A	NL - 24,5	NL - 21
B	LB - 2× EB - 52,5	LB - 2× EB - 52,5
C	LB - 2× EB - 64	-
D	84,5	-



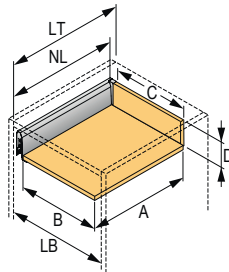
Inner drawer, height 94 mm

de-scription	wooden back	steel back
A	NL - 24,5	NL - 21
B	LB - 2× EB - 52,5	LB - 2× EB - 52,5
C	LB - 2× EB - 64	-
D	84,5	-
G	LB - 2× EB - 62	LB - 2× EB - 62
H	105,5	105,5



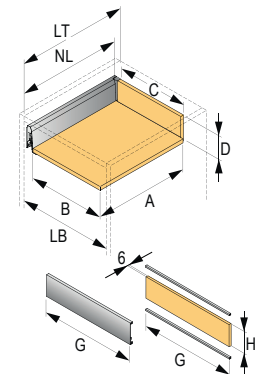
Front drawer, height 126 mm

de-scription	wooden back	steel back
A	NL - 24,5	NL - 21
B	LB - 2× EB - 52,5	LB - 2× EB - 52,5
C	LB - 2× EB - 64	-
D	116,5	-



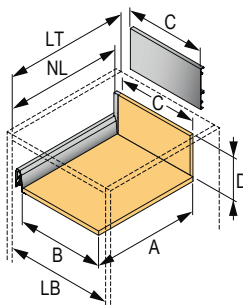
Inner drawer, height 126 mm

de-scription	wooden back	steel back
A	NL - 24,5	NL - 21
B	LB - 2× EB - 52,5	LB - 2× EB - 52,5
C	LB - 2× EB - 64	-
D	116,5	-
G	LB - 2× EB - 62	LB - 2× EB - 62
H	105,5	105,5



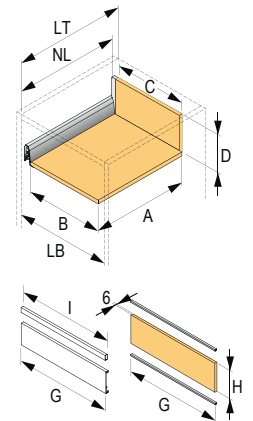
Front drawer, height 94 and 126/186 mm

de-scription	wooden back	steel back
A	NL - 24,5	NL - 21
B	LB - 2× EB - 52,5	LB - 2× EB - 52,5
C	LB - 2× EB - 64	-
D	176	-



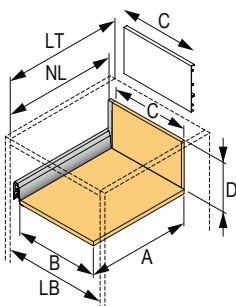
Inner drawer, height 94 and 126/186 mm

de-scription	wooden back	steel back
A	NL - 24,5	NL - 21
B	LB - 2× EB - 52,5	LB - 2× EB - 52,5
C	LB - 2× EB - 64	-
D	176	-
G	LB - 2× EB - 62	LB - 2× EB - 62
H	157	157
I	LB - 2× EB - 66,5	LB - 2× EB - 66,5



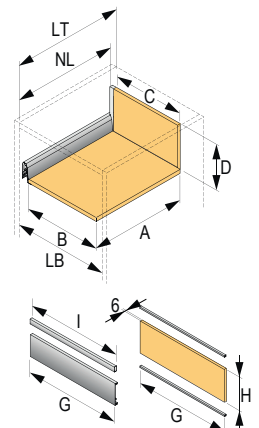
Front drawer, height 94 and 126/218 mm

de-scription	wooden back	steel back
A	NL - 24,5	NL - 21
B	LB - 2× EB - 52,5	LB - 2× EB - 52,5
C	LB - 2× EB - 64	-
D	208	-



Inner drawer, height 94 and 126/218 mm

de-scription	wooden back	steel back
A	NL - 24,5	NL - 21
B	LB - 2× EB - 52,5	LB - 2× EB - 52,5
C	LB - 2× EB - 64	-
D	208	-
G	LB - 2× EB - 62	LB - 2× EB - 62
H	157	157
I	LB - 2× EB - 66,5	LB - 2× EB - 66,5

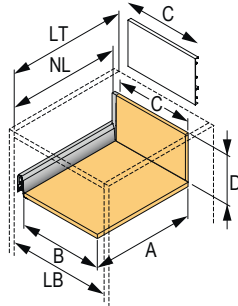


ArciTech drawings and cutting calculations

Drawings and tables for base and back cuttings

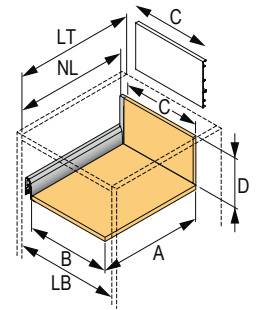
Front drawer, height 94 and 126/250 mm

de- scripti- on	wooden back	steel back
A	NL - 24,5	NL - 21
B	LB - 2× EB - 52,5	LB - 2× EB - 52,5
C	LB - 2× EB - 64	-
D	240	-



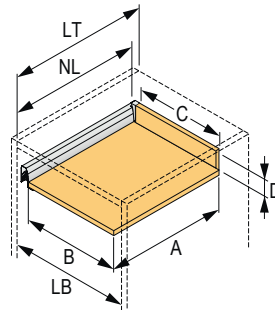
Inner drawer, height 94 and 126/282 mm

de- scripti- on	wooden back	steel back
A	NL - 24,5	NL - 21
B	LB - 2× EB - 52,5	LB - 2× EB - 52,5
C	LB - 2× EB - 64	-
D	272	-



Front drawer, height 78 mm

de- scripti- on	wooden back	steel back
A	-	NL - 21
B	LB - 2× EB - 52,5	LB - 2× EB - 52,5
C	LB - 2× EB - 64	-
D	68,5	-



Actro 5D full extension for side thickness 16 mm

length (mm)	Silent System		Push to open	
	40 kg	70 kg	40 kg	70 kg
250	401602	×	544537	×
270	401603	×	544538	×
300	401604	×	544539	×
320	401605	×	544540	×
350	401606	×	544541	×
380	401607	×	544542	×
400	401608	×	544543	×
420	401609	×	544544	×
450	401610	401616	544545	544551
480	401611	×	544546	×
500	401612	401617	544547	544552
520	401613	401618	544548	544553
550	401614	401619	544549	544554
580	×	401620	×	544555
600	401615	401621	544550	544556
650	×	401622	×	544557
700	×	401623	×	544558
750	×	401624	×	544559

- Complete set contains L+R full extension Actro 5D for drawer side thickness 16 mm
- with integrated Silent System or Push to open + Actro 5D connectors.
- Drawer adjustment in 5 directions without power tools, using clamps.
- Height adjustment + 3 mm, side adjustment in front ± 1.5 mm and in back 1.5 mm, depth adjustment ± 2 mm and inclination adjustment + 4 mm.
- Convenient slide-on assembly with 5D catches.
- Additional: slide (depth) ± 2 mm.
- Slides with integrated damping (SiSy) can be combined with Push to Open Silent fittings.
- Slide load capacity 40 or 70 kg.

Push to Open Silent mechanism and carrier set

code	Hettich code	slide length (mm)	load capacity of slides (kg)	total weight (kg)
397803	9257891	250 – 600	40	8 – 20
397804	9257892	350 – 600	40	10 – 40
397805	9257893	450 – 750	70	20 – 70

code	Hettich code	description
318279	9236718	synchronisation bar
318281	9221295	connector
462468	9278452	multiple synchronisation for Push to Open Silent

- Cutting size – internal clear width of cabinet body minus 233 mm

Quadro YOU full extension for side thickness 16 mm

length (mm)	Silent System (kg)		Push to open (kg)
	30 kg		30 kg
270	551114		551127
300	551115		551128
350	551116		551129
380	551118		551130
400	551119		551131
420	551120		551132
450	551121		551133
480	551122		551134
500	551123		551135
520	551124		551136
550	551125		551137
600	551126		551138

- Complete set contains full extension with integrated Silent System (for additional Push to Open Silent system) or Push to Open with front connectors
- Load capacity 30 kg
- Tool-free adjustment +3 mm

Quadro V6 5D full extension for side thickness 16 mm

length (mm)	Silent System	Push to open
	30 kg	30 kg
250	544835	544850
270	544836	544851
300	544837	544852
320	544838	544853
350	544839	544854
380	544840	544855
400	544841	544856
420	544842	544857
450	544843	544858
480	544844	544859
500	544845	544860
520	544846	544861
550	544847	544862
580	544848	544863
600	544849	544864

- Complete set contains L+R slide with 2D connectors for height and lateral adjustment, integrated depth adjustment, integrated tilt adjustment, integrated radial adjustment.
- Integrated Silent System or handleless Push to Open opening.
- All adjustments tool-free: height adjustment +3 mm, lateral adjustment +/-1.5 mm, depth adjustment +2/-1 mm, tilt adjustment +4 mm, and radial adjustment +/-1.5 mm.
- Optional: synchronisation and multiple synchronisation.
- Optional: Pull-out shelf bracket and pull-out shelf lock.

Push to Open Silent mechanism and carrier set

code	Hettich code	slide length (mm)	total weight (kg)
397832	9257895	250 – 600	8 – 20
397833	9257896	350 – 600	10 – 30

code	Hettich code	description
318279	9236718	synchronisation bar
318281	9221295	connector
462468	9278452	multiple synchronisation for Push to Open Silent



Quadro V6 concealed slides

Full extension slide with soft closing, for side thickness 19 mm

code	length (mm)	cabinet body depth (min. - mm)	drilling pitch b1 (mm)	drilling pitch b2 (mm)
317639	300	313	192	×
317640	350	363	192	×
317641	400	413	224	×
317642	450	463	256	×
317643	500	513	288	224
367919	550	563	288	224
367920	600	613	352	×



- **Silent System:** integrated soft closing system ensures that the drawer closes softly and quietly
- **for side thickness up to 19 mm**
- convenient assembly by sliding the drawer on the slides, with couplings for height adjustment without power tools (+ 2 mm)
- load capacity according to EN 15338, class 3
- galvanised steel, suitable for wet environments

Full extension slide for handleless opening, for side thickness 19 mm

code	length (mm)	cabinet body depth (min. - mm)	drilling pitch b1 (mm)	drilling pitch b2 (mm)
343030	300	313	192	×
343031	350	363	192	×
343033	400	413	224	×
317644	450	463	256	×
317645	500	513	288	224



- **Push to Open:** mechanism for handleless opening of drawers without soft closing
- **for side thickness up to 19 mm**
- convenient assembly by sliding the drawer on the slides, with couplings for height adjustment without power tools (+ 2 mm)
- load capacity according to EN 15338, class 3
- galvanised steel, suitable for wet environments
- can be supplemented with synchronisation for wide drawers, p. 03.124

Partial extension slide with soft closing, for side thickness 19 mm

code	length (mm)	cabinet body depth (min. - mm)	loss of sliding (EL - mm)	drilling pitch b1 (mm)
317646	300	313	50	160
317647	350	363	62	192
317648	400	413	74	224
317649	450	463	86	256
317650	500	513	98	288



- **Silent System:** integrated soft closing system ensures that the drawer closes softly and quietly
- convenient slide-on assembly with latching elements and height adjustment without power tools
- **for side thickness up to 19 mm**
- **flexible system:** the Quadro partial extension slide can be substituted with the Quadro full extension slide without changing the dimensions of the cabinet body, drawer or its front
- load capacity according to EN 15338, class 3
- galvanised steel, suitable for wet environments

Synchronisation for Quadro concealed slides

code	description
318279	Push to Open synchronisation bar 2 000 mm
318281	Push to Open synchronisation connector
318282	Push to Open adapter type A
318283	Push to Open adapter type B
318284	Push to Open double adapter type A
318285	Push to Open double adapter type B

- synchronisation is mounted rigidly on the rear part of the slide
- for drawers with Quadro slide with Push to Open mechanism and width over 600 mm
- maximum cabinet body width: 2 000 mm
- advantage for a sink cabinet (siphon!) and a unique solution for 2 drawers with shared front



Using adapter according to the type:

A for InnoTech on Quadro V6+ and for wooden drawers on Quadro V6 and Quadro V6+

B for InnoTech on Quadro V6

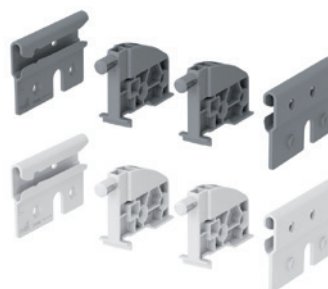
- double adapter is designed for 2 drawers with 1 shared front

Synchronisation set for specific slides

	slide	type of adapter	synchronisation bar	connector for two parts of synchronisation	type of adapter for 2 drawers with shared front
wooden drawer	Quadro V6 5D	318282	318279	318281	318284
	Quadro 25				
	Quadro 4D V6				
InnoTech and InnoTech Atira drawer	Quadro V6	318283	318279	318281	318285
	Quadro V6+	318282			318284

Quadro slides locking for solid wood drawers

- can be easily added
- for Quadro V6 and Quadro V6+, EB 20
- colours: white and grey
- self-locking when fully pulled out of the slide shelf
- unlocking when slid in with a defined force
- they will replace the adapters for pull-out shelves that have been in use up until now



code	Hettich code	description
449952	9257727	anthracite
417270	9257725	white

KA 4532 Silent System full extension slide, 35 kg load capacity

code	Hettich code	drawer length (mm)	minimum cabinet body depth KT (mm)	hole pitch (mm)				package
				b1	b2	b3	c	
133031	9114271	300	304	×	×	×	171	10 sets
132546	9114273	350	354	64	×	×	220	10 sets
132333	9114274	400	404	64	×	×	254	10 sets
132334	9114275	450	454	96	×	×	294	10 sets
130802	9114276	500	504	96	64	×	344	10 sets

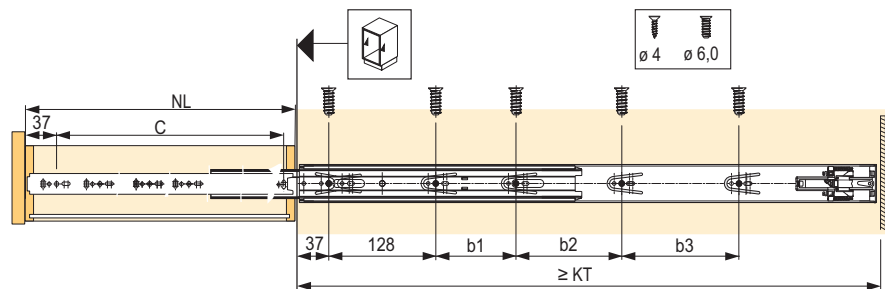
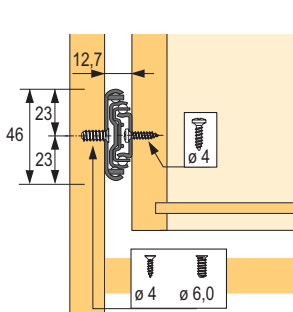
- Silent System – integrated soft closing system ensures that the drawer closes softly and quietly
- for drawers with grooved, rebated or flush fitted drawer base



KA 4532 Push to Open full extension slide, load capacity 35 kg, built-in width 12.7 mm

code	Hettich code	drawer length (mm)	minimum cabinet body depth KT (mm)	hole pitch (mm)				package
				b1	b2	b3	c	
141950	9114281	300	304	×	×	×	196	10 sets
133414	9114282	350	354	56	×	×	246	10 sets
133815	9114283	400	404	96	×	×	296	10 sets
133030	9114284	450	454	96	×	×	346	10 sets
130803	9114285	500	504	96	96	×	396	10 sets
171320	9114286	550	554	96	128	×	446	10 sets

- Push to Open – precise mechanism opens the drawer automatically and silently – just push lightly on its front
- the slide can be divided by using a lever and the drawer can be simply removed from the cabinet body
- for wooden drawers with base in groove, rebated or flush fitted drawer base
- galvanised steel

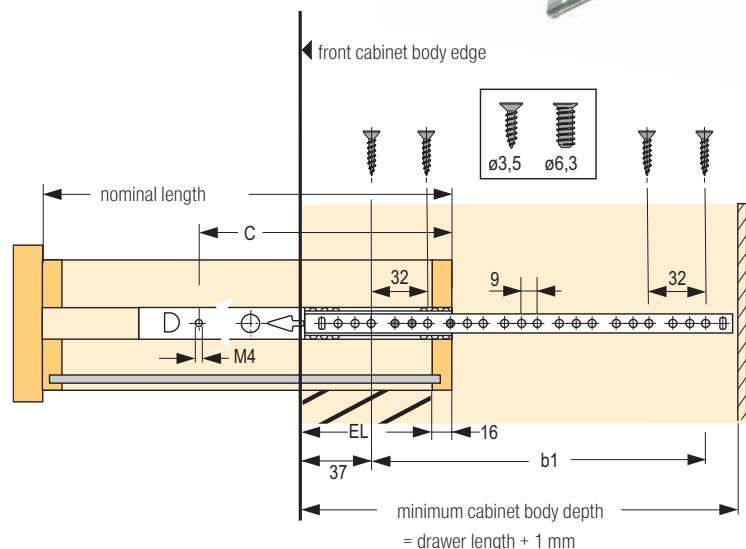
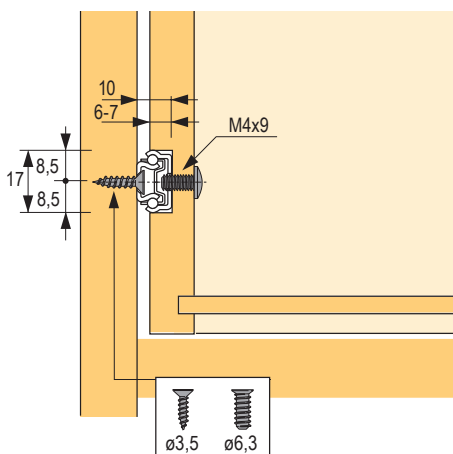


minimum cabinet body depth

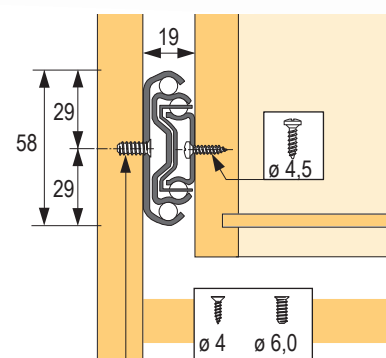
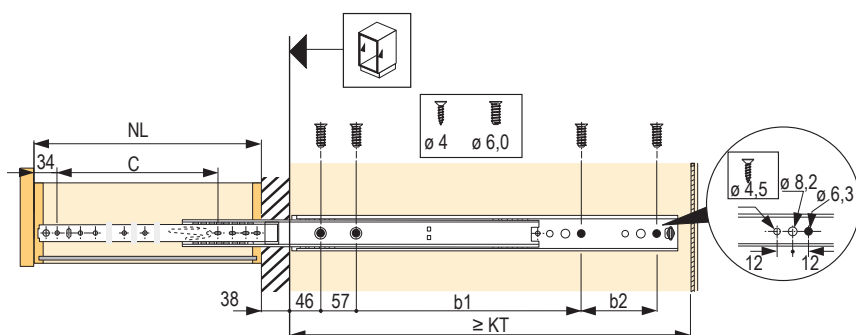
KA1730 partial extension slide 17 mm groove, load capacity 10 kg

code	Hettich code	drawer length (mm)	drawer runner (mm)	cabinet body rail (mm)	nominal length (mm)	slide loss EL (mm)	hole pitch (mm)	
							B1	C
106758	79054	155 – 210	133	150	200	32	96	101
106760	79055	185 – 260	164	182	250	44	128	132
104011	30765	185 – 305	185	182	300	44	128	153
104881	71835	220 – 355	217	214	350	56	160	185
104012	30766	250 – 410	249	246	400	68	192	217
104014	30768	500	500	310	500	98	256	468

- precise slide with slide stop and safety latch with roll-out prevention
- sliding runners and the ball cage form a complete inseparable unit
- smooth running and high side stability with precise runner system
- the arrow marks the slide orientation
- with additional front support for drawer length from 430 mm
- for drawers with grooved, rebated or flush fitted drawer base
- galvanised steel
- cabinet body railings are mounted from the front edge of the side
- drawer railings are mounted from the rear edge of the drawer
- 2 screws M4 × 9 are included in each set
- 20 sets in package


Full extension slide with load capacity of 90 kg, StopControl fixation when closed

code	code Hettich	length (mm)	min. cabinet body depth (mm)	hole pitch b1 (mm)	hole pitch b2 (mm)	hole pitch C (mm)
104106	41398	700	704	261	264	633,5



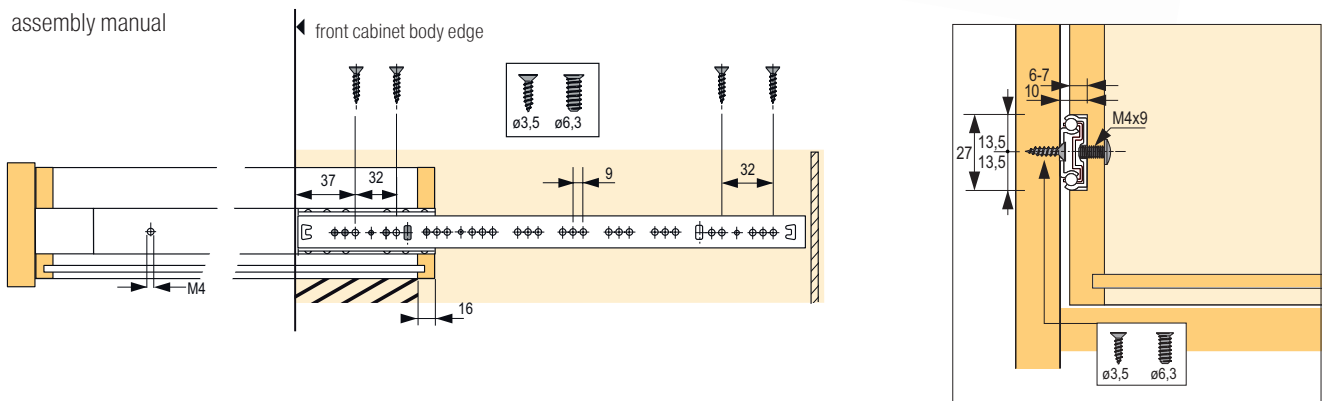
KA 270 partial extension slide 27 mm groove, load capacity 12 kg

code	Hettich code	drawer runner (mm)	cabinet body rail (mm)	nominal length (mm)	drawer length (mm)	slide loss EL (mm)	hole pitch (mm)	
							b1	c
103971	25155	222	214	350	230 – 350	56	160	190
104906	25156	328	342	550	350 – 550	80	288	296

- 2 screws M4 × 9 are included in each set
- 20 sets in package
- precise slide with slide stop and safety latch with roll-out prevention
- sliding runners and the ball cage form a complete inseparable unit
- smooth running and high side stability with precise runner system
- for drawers with grooved, rebated or flush fitted drawer base
- galvanised steel



assembly manual



KA 5632 full extension slide, load capacity 45 kg

code	Hettich code	drawer length (mm)	minimum cabinet body depth (mm)
106191	73276	250	254
106229	73277	300	304
106231	73278	350	354
106242	73279	400	404
106276	73280	450	454
106293	73281	500	504
106299	73282	550	554
106331	73283	600	604
106339	73284	650	654
104026	41355	700	704

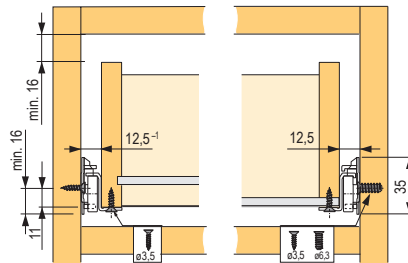


- precise full extension slide with slide stop and safety latch for roll-out prevention
- the slide can be divided by using a lever and the drawer can be simply removed from the cabinet body
- smooth running and high side stability with precise runner system
- for drawers with grooved, rebated or flush fitted drawer base
- galvanised steel, blue passivation
- 1 set in package

FR 402 partial extension slide, load capacity 25 kg

code	Hettich code	drawer length (mm)	minimum cabinet body depth (mm)	EL slide loss (mm)	hole pitch (mm)			
					b1	b2	B3	b4
103835	1061611	250	253	69	96	×	×	×
103750	1058344	300	303	69	96	×	×	×
103751	1058345	350	353	69	96	64	×	×
103752	1058346	400	403	69	96	128	×	×
103753	1058347	450	453	79	96	128	32	×
103754	1058348	500	503	86	96	128	64	32
103755	1058349	550	553	94	96	128	128	×
103756	1058350	600	603	104	96	128	128	×

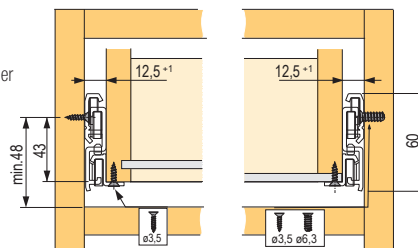
- 20 sets in package
- single-sided forced runners
- full overlay assembly
- integrated self-closing technique with double safety latch and roll-out prevention latch
- automatic tolerance compensation ± 1 mm
- steel, white or brown powder colour



FR 6142 full extension slide, load capacity 50 kg

code	Hettich code	drawer length (mm)	minimum cabinet body depth (mm)	full extension slide with OE overlap (mm)	hole pitch (mm)			
					b1	b2	B3	b4
104112	41637	350	355	15	96	64	×	×
104159	41643	500	505	30	96	128	64	32

- full extension slide with overlap, with double-sided forced runners
- full overlay assembly
- integrated self-closing technique
- automatic tolerance compensation +2 mm
- steel, white or brown powder colour
- safety latch against falling out and lockable telescopic central runner



Distance profile

code	Hettich code	dimensions (mm)
103956	13952	25 × 484 × 50

- white plastic