

w1





interior equipment for furniture and drawers



04



PORTAL

Customer portal – shopping, order overview, placing and formatting orders, checking their status, information about stock, prices and much more in one place.



ADVISORY SERVICE

Not sure how to choose or assemble the fittings?
Call +420 556 684 310 or email export@demos-trade.com
and we will be happy to help you.



SAMPLE ROOMS DISPLAYS

Which cutlery tray to choose? How large is the sorter container in reality? Come and take a look in person or send your customers to our showroom where we will demonstrate and provide expert advice on the selection process.





DELIVERY TO YOUR DOOR

All orders will be delivered to your hands within 72 hours.

contents

	complete drawers including cutlery trays or non-slip mats	StrongMax StrongBox Legrabox	04.5 04.7 04.8
	cutlery trays	Strong	StrongIn 04.11
		Blum	Nolago Ambia-line 04.31
			Orga-line 04.40
			04.35
		Hettich	Orga-Tray 04.45
			Orga-Store 04.47
Agoform	Separado 04.37		
	Classico 04.20		
	Sky 04.24		
	Scoop 04.28		
	Plate organiser 04.19		
Kesseböhmer	LiniQ 04.17		
SpaceFlexx 04.19			
	wardrobe organisers	Strong	StrongIn 04.52
	bathroom organisers and accessories	Gollinucci	organisers 04.56
			bathroom accessories 04.57
			bathroom laundry collectors 04.78
			trim for siphon cut-out 04.55
	non-slip mats	Strong Agoform Italiana Ferramenta	04.15 04.16 04.16

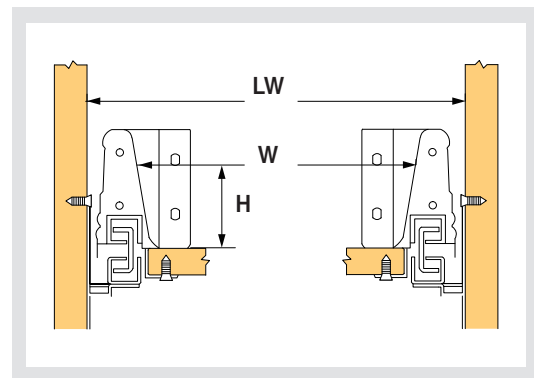
	<p>sorters and waste bins</p>	<p>Strong</p>	<p>StrongBins 04.58</p>
		<p>Gollinucci</p>	<p>Linea 580 plus 04.60 Linea 580 EVO 04.65 Concept 560 04.65 Linea 500 04.68 Linea 200 04.69 Sistema 9XL 04.74 Sistema 04.76</p>
		<p>Franke</p>	<p>Easysort 04.80 FX 04.81 Garbo 04.82 other 04.84 other 04.84 other 04.84</p>
		<p>Blanco</p>	<p>Flexon II 04.85 Select II 04.87 Select II Orga 04.88</p>
	<p>small built-in appliances</p>	<p>Ritter</p>	<p>multi-function slicer cordless blender toaster 04.90 beverage cooler Beezer</p>

How to choose the right cutlery tray width

producer	subtraction from inner width of the cabinet body (LW - W) (mm)	inner depth compared to the defined slide depth (mm)
Blum LEGRABOX	42	26
Blum Merivobox	2×28=56	28
StrongMax 18	42	28
Blum TANDEMBOX ANTARO	48	26
StrongBox	60	
StrongMax 16	42	
Hettich InnoTech Atira	73	30
Hettich ArciTech	58	21 (sheet metal) and 24 (wooden)

For example StrongBox for cabinet with 600 mm external dimensions, 18 mm wall thickness and 500 mm slide length:

inner dimensions of cabinet body: **LW = 600 - 36 = 564 mm**
 inner width of drawer: **W = 564 - 60 = 504 mm**
 inner depth of drawer: **500 - 26 = 474 mm**



- i inner width of the drawers as specified by the producer
 - valid for cutlery tray with 50 mm height (H)
 - these dimensions are subtracted from the inner width of the cabinet body

cutlery trays and custom mats for StrongMax 16 drawers with depth 500 mm



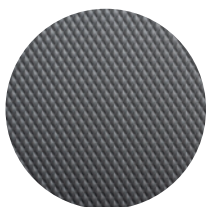
StrongMax 16 complete set with Classico cutlery tray



code	colour StrongMax	drawer width (mm)	Classico cutlery tray dimensions (mm)	colour of the cutlery tray
421832	dark grey	600	522 × 474	black Kristall soft Touch
421833		800	722 × 474	
421834		900	822 × 474	
421835	white	600	522 × 474	white
421836		800	722 × 474	
421837		900	822 × 474	
422004	black	600	522 × 474	black Kristall soft Touch
422005		800	722 × 474	
422006		900	822 × 474	

Individual cutlery tray codes can be found on pp. 04.20-21

StrongMax 16 complete set with non-slip mat for cabinet body width 600 mm



Ago-System ANTHRACITE



Ago-Fibre WHITE



Ago-Kristall BLACK

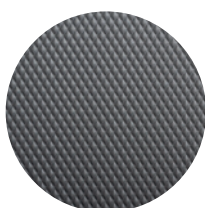
code of complete sets	colour StrongMax	height of sides (mm)	mat dimensions (mm)	code mats ¹⁾	mat colour
452681	dark grey	89	522 × 474	354056	Ago-Kristall black
452682		121			
452683		185			
452684		249			
452685	white	89	522 × 474	421978	Ago-Fibre white
452686		121			
452687		185			
452688		249			
452689	black	89	522 × 474	354056	Ago-Kristall black
452690		121			
452691		185			
452692		249			
452693	dark grey	89	522 × 474	421982	Ago-System anthracite
452694		121			
452695		185			
452696		249			

¹⁾ Non-slip mats are already included in the complete set. The codes listed are only for use if you wish to order them separately.

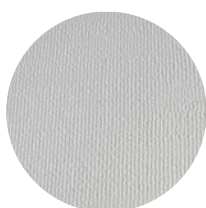


custom mats for all drawer heights of StrongMax 16 drawers with a depth of 500 mm

StrongMax 16 complete set with non-slip mat for cabinet body width 800 mm



Ago-System ANTHRACITE



Ago-Fibre WHITE

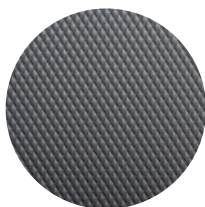
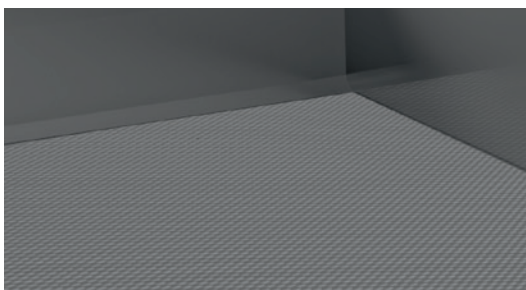


Ago-Kristall BLACK

code of complete set	colour StrongMax	height of sides (mm)	mat dimensions (mm)	code mats ¹⁾	mat colour
452697	dark grey	89	722 × 474	354058	Ago-Kristall black
452698		121			
452699		185			
452700		249			
452701	white	89	722 × 474	421979	Ago-Fibre white
452702		121			
452703		185			
452704		249			
452705	black	89	722 × 474	354058	Ago-Kristall black
452706		121			
452707		185			
452708		249			
452709	dark grey	89	722 × 474	421983	Ago-System anthracite
452710		121			
452711		185			
452712		249			

¹⁾ Non-slip mats are already included in the complete set. The codes listed are only for use if you wish to order them separately.

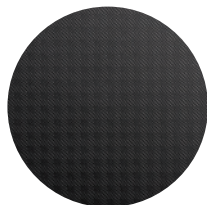
StrongMax 16 complete set with non-slip mat for cabinet body width 900 mm



Ago-System ANTHRACITE



Ago-Fibre WHITE



Ago-Kristall BLACK

code of complete set	colour StrongMax	height of sides (mm)	mat dimensions (mm)	code mats ¹⁾	mat colour
452713	dark grey	89	822 × 474	354059	Ago-Kristall black
452714		121			
452715		185			
452716		249			
452717	white	89	822 × 474	421980	Ago-Fibre white
452718		121			
452719		185			
452720		249			
452721	black	89	822 × 474	354059	Ago-Kristall black
452722		121			
452723		185			
452724		249			
452725	dark grey	89	822 × 474	421984	Ago-System anthracite
452726		121			
452727		185			
452728		249			

¹⁾ Non-slip mats are already included in the complete set. The codes listed are only for use if you wish to order them separately.

cutlery trays and custom mats for StrongBox drawers with depth 500 mm



StrongBox with side panel height 86 mm complete set with Classico cutlery tray



code of complete set	colour StrongBox	drawer width (mm)	Classico cutlery tray dimensions (mm)	code for cutlery tray ¹⁾	colour of cutlery tray
454330	grey	600	504 × 474	454327	silver-grey
454331		800	704 × 474	454328	
454332		900	804 × 474	454329	
454333	white	600	504 × 474	454319	grainy white
454334		800	704 × 474	454320	
454335		900	804 × 474	454321	
454336	titanium	600	504 × 474	454323	anthracite
454337		800	704 × 474	454324	
454338		900	804 × 474	454325	
454396	titanium	600	504 × 474	454365	black Kristall soft Touch
454397		800	704 × 474	454366	
454398		900	804 × 474	454367	

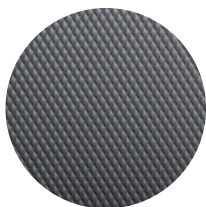
¹⁾ Cutlery trays are already included in the complete set. The codes listed are only for use if you wish to order them separately.

StrongBox with side panel height 86 mm complete set with Agoform non-slip mats



code of complete set	colour StrongBox	drawer width (mm)	mat dimensions (mm)	code mats ¹⁾	colour mats
454339	grey	600	481 × 474	454309	Ago-System silver
454340		800	681 × 474	454311	
454341		900	781 × 474	454312	
454342	white	600	481 × 474	454306	Ago-Fibre white
454343		800	681 × 474	454307	
454344		900	781 × 474	454308	
454345	titanium	600	481 × 474	454313	Ago-System anthracite
454346		800	681 × 474	454314	
454347		900	781 × 474	454315	
454432	titanium	600	481 × 474	454316	Ago-Kristall black
454433		800	681 × 474	454317	
454434		900	781 × 474	454318	

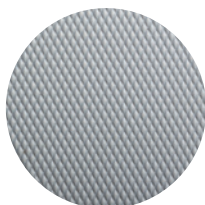
¹⁾ Non-slip mats are already included in the complete set. The codes listed are only for use if you wish to order them separately.



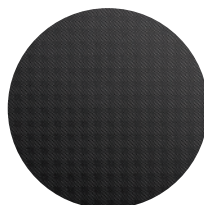
Ago-System ANTHRACITE



Ago-Fibre WHITE



Ago-System SILVER



Ago-Kristall BLACK



cutlery trays and custom mats for Legrabox drawers with depth 500 mm

Legrabox M complete set with Classico cutlery tray



¹⁾Cutlery trays are already included in the complete set. The codes listed are only for use if you wish to order them separately.

code of complete set	colour Legrabox M	drawer width (mm)	Classico cutlery tray dimensions (mm)	cutlery tray code ¹⁾	colour of cutlery tray
452663	grey	600	522 × 474	354066	black Kristall soft Touch
452664		800	722 × 474	354068	
452665		900	822 × 474	354069	
452666	white	600	522 × 474	399232	grainy white
452667		800	722 × 474	399233	
452668		900	822 × 474	399234	
452669	carbon black	600	522 × 474	354066	black Kristall soft Touch
452670		800	722 × 474	354068	
452671		900	822 × 474	354069	

Antaro M complete set with SKY cutlery tray



¹⁾Cutlery trays are already included in the complete set. The codes listed are only for use if you wish to order them separately.

code of complete set	colour Antaro M	drawer width (mm)	cutlery tray SKY dimensions (mm)	cutlery tray code ¹⁾	colour of cutlery tray
452672	grey	600	516 × 474	414651	anthracite
452673		800	716 × 474	414653	
452674		900	816 × 474	414655	
452675	white	600	516 × 474	414652	white
452676		800	716 × 474	414654	
452677		900	816 × 474	414656	

Legrabox M complete set with Ambia-Line cutlery tray



454478

code of complete set	colour Legrabox M	drawer width (mm)	colour of cutlery tray
454478	grey	600	orion grey
454479	white		white
454480	black		carbon black

Antaro M complete set with Orga-Line cutlery trays



454484

code of complete set	colour Antaro M	drawer width (mm)	colour of cutlery tray
454481	grey	600	stainless steel brushed/grey
454484		800	
454487		900	
454482	white	600	stainless steel brushed/grey
454485		800	
454488		900	

custom mats for drawers with depth 500 mm



Legrabox M complete set with non-slip mat



code of complete set	colour Legrabox M	drawer width (mm)	mat dimensions (mm)	code mats ¹⁾	colour mats
454722	grey	600	522 × 474	421982	Ago-System anthracite
454723		800	722 × 474	421983	
454724		900	822 × 474	421984	
454725	white	600	522 × 474	421978	Ago-Fibre white
454726		800	722 × 474	421979	
454727		900	822 × 474	421980	
454728	carbon black	600	522 × 474	354056	Ago-Kristall black
454729		800	722 × 474	354058	
454730		900	822 × 474	354059	

¹⁾ Non-slip mats are already included in the complete set. The codes listed are only for use if you wish to order them separately.

Legrabox K complete set with non-slip mat



code of complete set	colour Legrabox K	drawer width (mm)	mat dimensions (mm)	code mats ¹⁾	colour mats
454731	grey	600	522 × 474	421982	Ago-System anthracite
454732		800	722 × 474	421983	
454733		900	822 × 474	421984	
454734	white	600	522 × 474	421978	Ago-Fibre white
454735		800	722 × 474	421979	
454736		900	822 × 474	421980	
454737	carbon black	600	522 × 474	354056	Ago-Kristall black
454738		800	722 × 474	354058	
454739		900	822 × 474	354059	

¹⁾ Non-slip mats are already included in the complete set. The codes listed are only for use if you wish to order them separately.

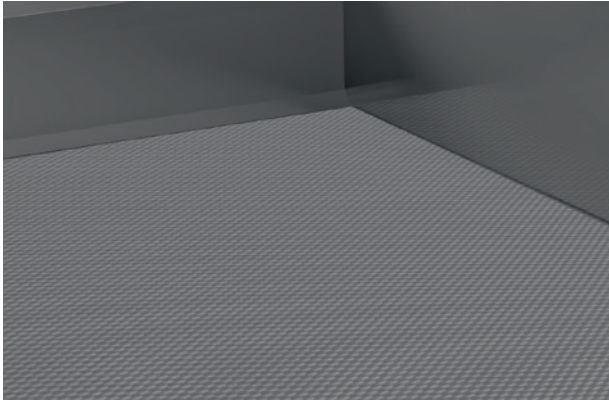
Legrabox C complete set with non-slip mat



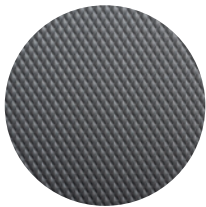
code of complete set	colour Legrabox C	drawer width (mm)	mat dimensions (mm)	mat code ¹⁾	colour mats
454740	grey	600	522 × 474	421982	Ago-System anthracite
454741		800	722 × 474	421983	
454742		900	822 × 474	421984	
454743	white	600	522 × 474	421978	Ago-Fibre white
454744		800	722 × 474	421979	
454745		900	822 × 474	421980	
454746	carbon black	600	522 × 474	354056	Ago-Kristall black
454747		800	722 × 474	354058	
454748		900	822 × 474	354059	

¹⁾ Non-slip mats are already included in the complete set. The codes listed are only for use if you wish to order them separately.

Legrabox F complete set with non-slip mat



code of complete set	colour Legrabox F	drawer width (mm)	mat dimensions (mm)	code mats ¹⁾	colour mats
454749	grey	600	522 × 474	421982	Ago-System anthracite
454750		800	722 × 474	421983	
454751		900	822 × 474	421984	
454752	white	600	522 × 474	421978	Ago-Fibre white
454753		800	722 × 474	421979	
454754		900	822 × 474	421980	
454755	carbon black	600	522 × 474	354056	Ago-Kristall black
454756		800	722 × 474	354058	
454757		900	822 × 474	354059	



Ago-System ANTHRACITE



Ago-Fibre WHITE



Ago-Kristall BLACK

¹⁾ Non-slip mats are already included in the complete set. The codes listed are only for use if you wish to order them separately.

StrongIn cutlery trays



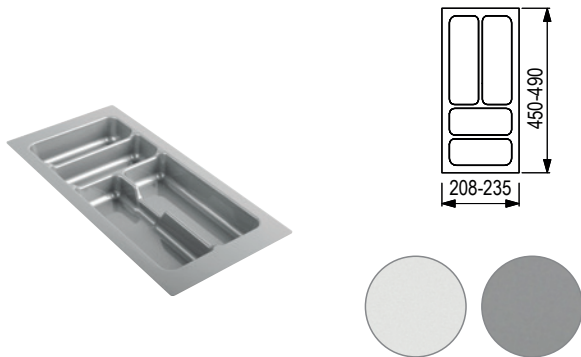
For drawers with depth 500 mm

- Designed to be trimmed to the required dimensions.
- An affordable and practical solution for every drawer.
- Three colours: white (thickness 1.6 mm), silver grey, anthracite (thickness 2 mm).
- Matt surface – elegant appearance, easy maintenance.
- Divider height: 40 mm.
- Total height: 50 mm.



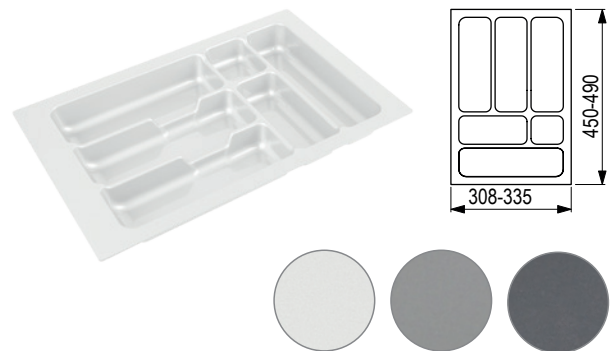
dimension calculations for selected slide models can be found on p. 04.4

For cabinet body width 300 mm



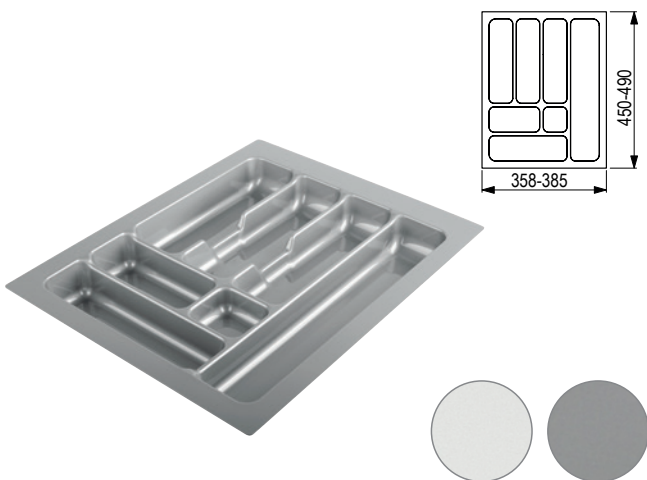
code	colour	min. dimensions after cutting (mm)	dimensions of cutlery trays (mm)
83735	white	208 × 450	235 × 490
83736	silver-grey		

For cabinet body width 400 mm



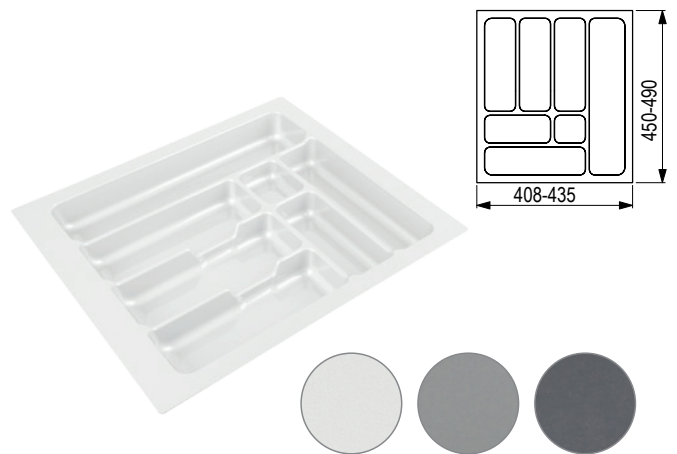
code	colour	min. dimensions after cutting (mm)	dimensions of cutlery trays (mm)
83730	white	308 × 450	335 × 490
83731	silver-grey		
544921	anthracite		

For cabinet body width 450 mm



code	colour	min. dimensions after cutting (mm)	dimensions of cutlery trays (mm)
83728	white	358 × 450	385 × 490
83729	silver-grey		

For cabinet body width 500 mm

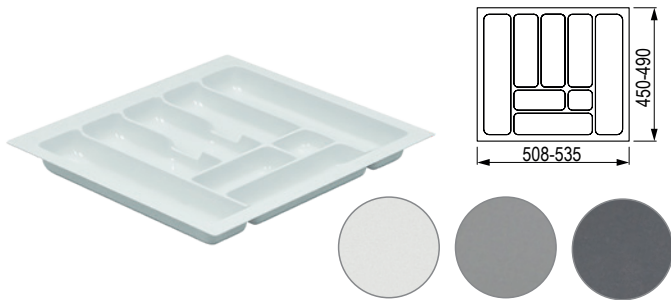


code	colour	min. dimensions after cutting (mm)	dimensions of cutlery trays (mm)
83721	white	408 × 450	435 × 490
83724	silver-grey		
544922	anthracite		



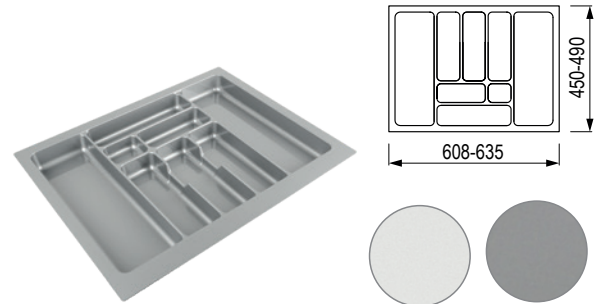
StrongIn cutlery trays

For cabinet body width 600 mm



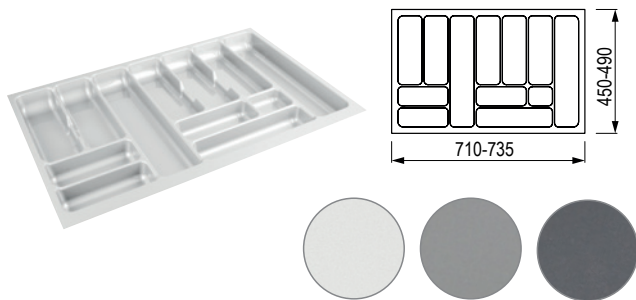
code	colour	min. dimensions after cutting (mm)	dimensions of cutlery trays (mm)
83726	white	508 × 450	535 × 490
83727	silver-grey		
544922	anthracite		

For cabinet body width 700 mm



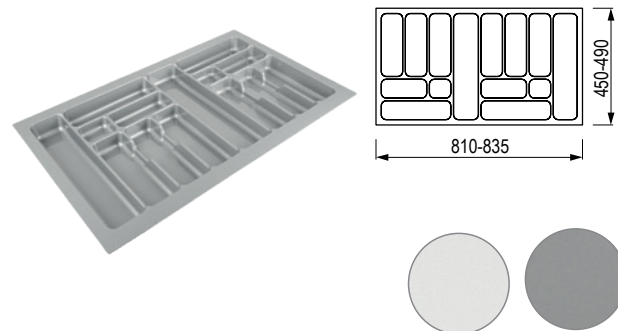
code	colour	min. dimensions after cutting (mm)	dimensions of cutlery trays (mm)
144112	white	608 × 450	635 × 490
83790	silver-grey		

For cabinet body width 800 mm



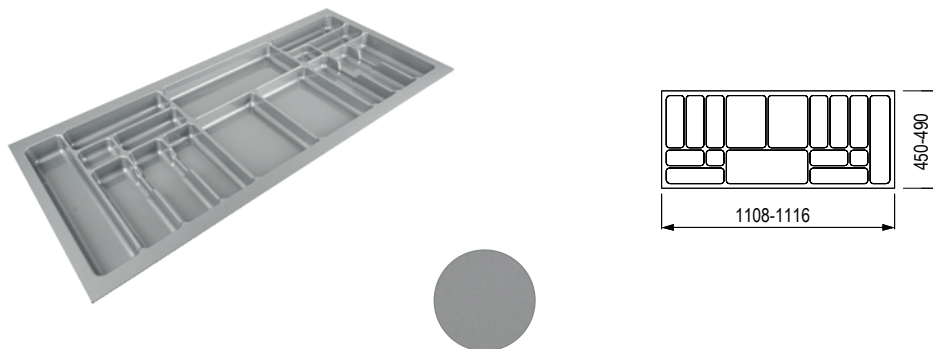
code	colour	min. dimensions after cutting (mm)	dimensions of cutlery trays (mm)
144113	white	710 × 450	735 × 490
83732	silver-grey		
544924	anthracite		

For cabinet body width 900 mm



code	colour	min. dimensions after cutting (mm)	dimensions of cutlery trays (mm)
144114	white	810 × 450	835 × 490
83733	silver-grey		

For cabinet body width 1200 mm



code	colour	min. dimensions after cutting (mm)	dimensions of cutlery trays (mm)
83734	silver-grey	1108 × 450	1116 × 490

StrongIn cutlery trays



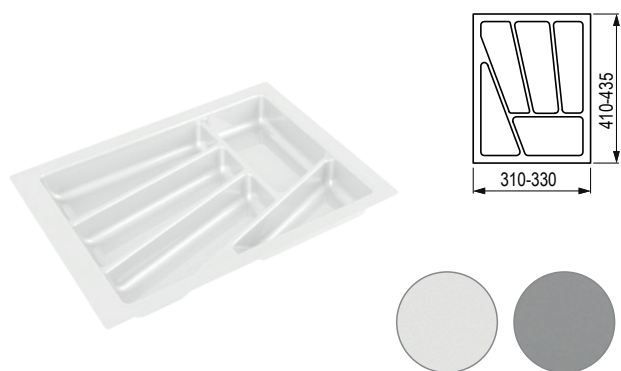
For drawers with depth 450 mm

- Designed to be trimmed to the required dimensions.
- An affordable and practical solution for every drawer.
- Three colours: white (thickness 1.6 mm), silver grey, anthracite (thickness 2 mm).
- Matt surface – elegant appearance, easy maintenance.
- Divider height: 40 mm.
- Total height: 50 mm.



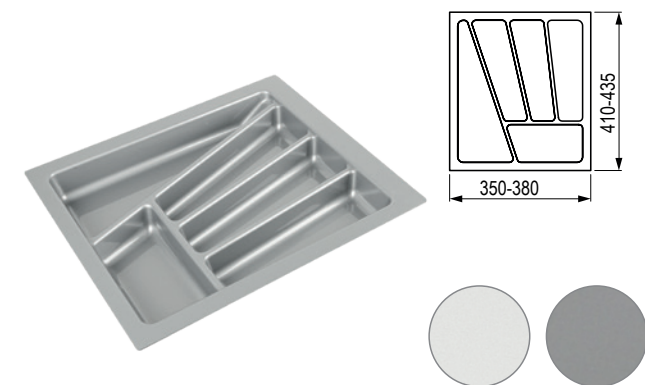
dimension calculations for selected slide models can be found on p. 04.4

For cabinet body width 400 mm



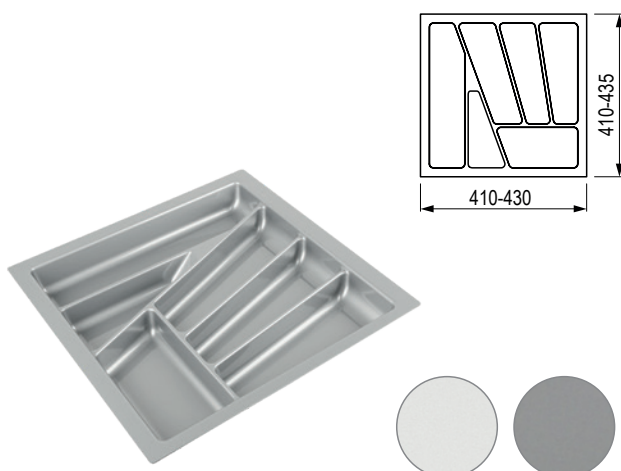
code	colour	min. dimensions after cutting (mm)	cutlery tray dimensions (mm)
83723	white	310 × 410	330 × 435
83725	silver-grey		

For cabinet body width 450 mm



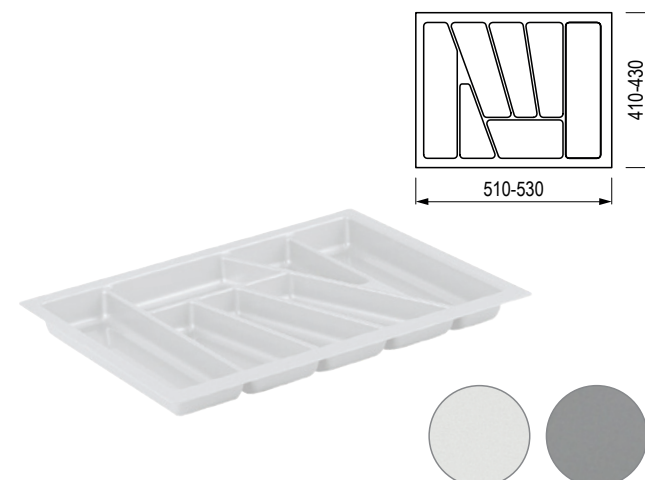
code	colour	min. dimensions after cutting (mm)	cutlery tray dimensions (mm)
144115	white	350 × 410	380 × 435
144116	silver-grey		

For cabinet body width 500 mm



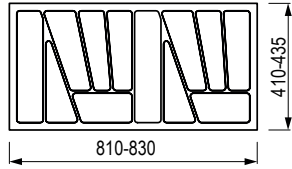
code	colour	min. dimensions after cutting (mm)	cutlery tray dimensions (mm)
83720	white	410 × 410	430 × 435
83722	silver-grey		

For cabinet body width 600 mm



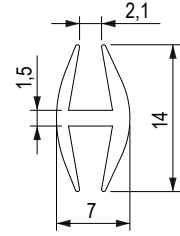
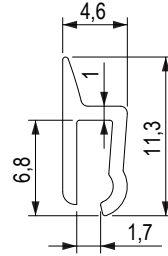
code	colour	min. dimensions after cutting (mm)	cutlery tray dimensions (mm)
144117	white	510 × 410	530 × 430
144118	silver-grey		

For cabinet body width 900 mm



code	colour	min. dimensions after cutting (mm)	dimensions of cutlery trays (mm)
144120	white	810 × 410	830 × 435
144121	silver-grey		

End connecting profile for cutlery trays



end profile



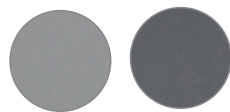
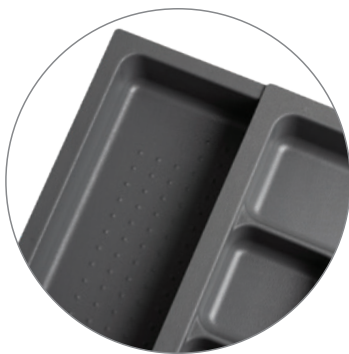
connecting profile

code	description	colour	length (mm)
231601	connecting profile	silver	1200
231599		white	
284593	end profile	silver	500
284986		white	

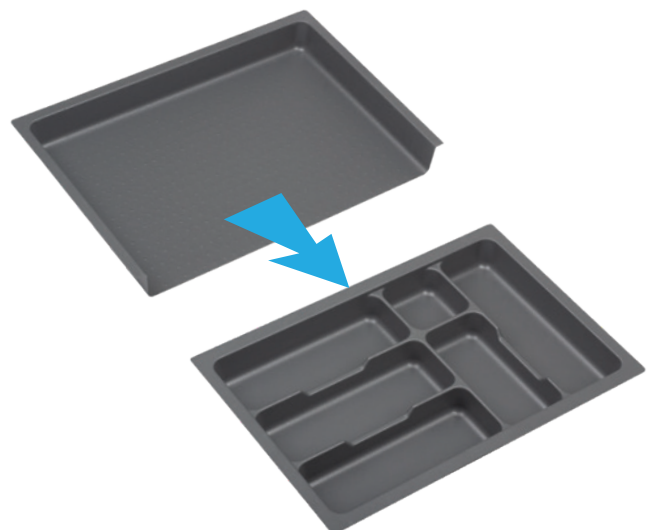
• for connecting cutlery trays, thickness 1.6–2.5 mm

Modular cutlery tray with pull-out side insert

- Universal cutlery tray with a pull-out base, which adapts to drawers of width 400, 500, or 600 mm.
- The system consists of two parts – the main cutlery tray and the side slide-in module.
- The sliding element creates additional storage space for larger kitchen accessories that do not fit in standard compartments.



code	colour	min. dimensions after cutting (mm)	cutlery tray dimensions (mm)
544929	grey	330 × 490	525 × 490
544930	anthracite		



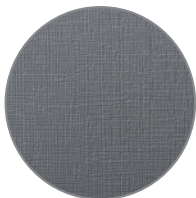
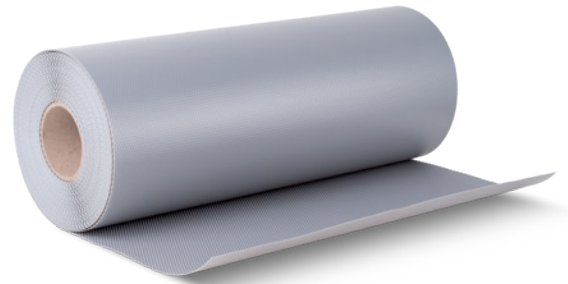
StrongIn – non-slip mats



StrongIn non-slip mats

- Flexible and hygienic TPE material.
- Non-slip surface with a fine texture.

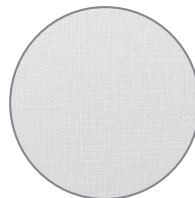
code	thickness (mm)	roll width (mm)	roll length (m)	colour
542896	1	500	20	anthracite
542897				grey
542898				white
542899			5	grey



anthracite



grey

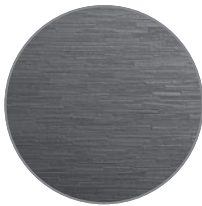


white

Non-slip drawer mats, Ago-Kristall and Ago-Split



Ago-Kristall black

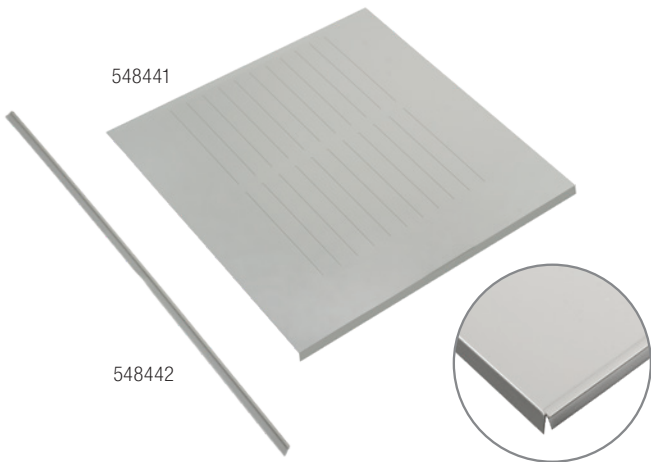


Ago-Split anthracite

code	colour	for cabinet body width (mm)	non-slip plate dimensions (mm)
354055	Ago-Kristall black	500	422 × 474
354056		600	522 × 474
497913		700	622 × 474
354058		800	722 × 474
354059		900	822 × 474
544935	Ago-Split anthracite	600	522 × 474
544938		800	722 × 474
544939		900	822 × 474

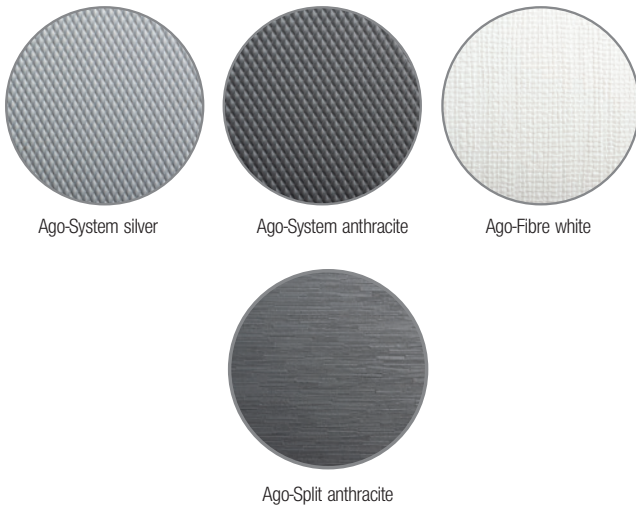
- Matching design with Kristall softTouch and Classico Split cutlery trays.
- Dimensionally adapted for Legrabox and StrongMax drawer systems (slide length 500 mm).
- Can be trimmed to any size – ideal for depth 450 mm as well.
- **Functional surface with high non-slip resistance.**
 - Prevents stored items from shifting in the drawer.
 - No adhesive required – no risk of the mat buckling.
 - All types are supplied in sheets of 1.5 mm thickness.

Protective mat under sink



code	description	colour	dimensions (mm)
548441	protective mat under sink	silver-grey	536 × 580
548442	plastic seal for protective mat	silver-grey	1210

AGO-System, AGO-Split and AGO-Fibre

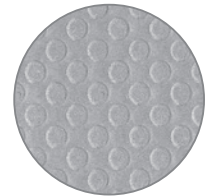


code	colour	dimensions (mm)
231364	Ago-system silver	2100 × 500
231365	Ago-System anthracite	2100 × 500
421977	Ago-Fibre white	2100 × 500
497915	Ago-System anthracite	2100 × 600
544942	Ago-Split anthracite	2100 × 600

• Advantages of the solid design of these mats:

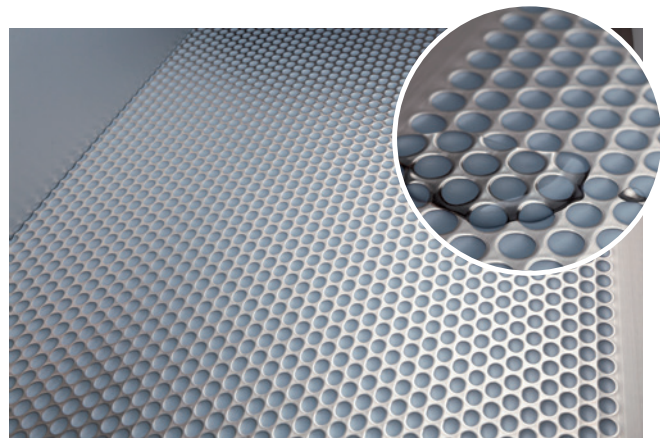
- Functional surface with high non-slip resistance.
- Prevents stored items from shifting in the drawer.
- Easily trimmed to the required size.
- No adhesive required – no risk of the mat buckling.
- Noise dampening upon impact of objects and a pleasant softened surface.
- All types are supplied in sheets of 1.5 mm thickness.

Non-slip mat in roll – length 20 m



code	pattern	width (mm)	colour
288100	circles	500	light grey
288103			white
288104			dark grey
288106		650	light grey
288107		white	

AQUA-NON water-protective mats



AQUA-NON

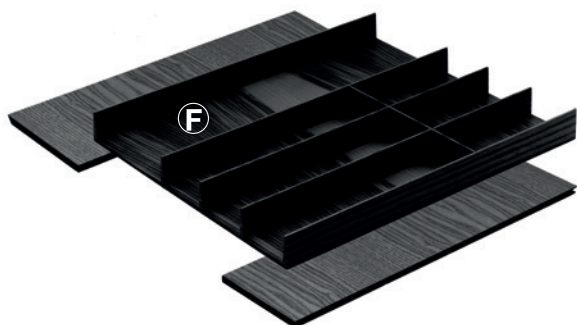


code	colour	dimensions (mm)
399237	aluminium metallic with stainless steel foil	564 × 500
399238	Topsoft silver grey	1200 × 600

- mats can be cut to any dimensions
- positioning on the cabinet body base

FineLine LiniQ wooden cutlery trays

Set for cabinet body width 500–560 mm



code	material	dimensions (mm)
398599	bright oak	385 – 610 × 472
398603	black	

- F = cross divider, foil dispenser or knife holder can be inserted into the multifunctional insert

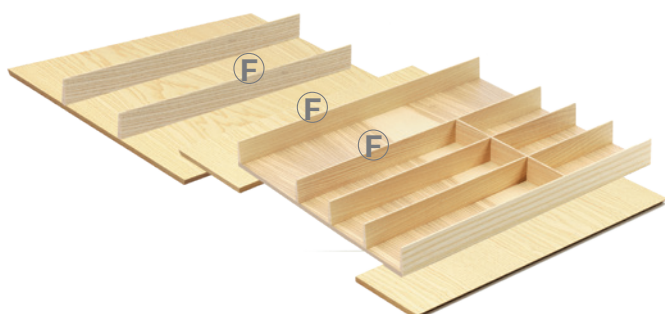
Multi-function insert for cabinet body width 300 mm



code	material	dimensions (mm)
398597	bright oak	150 × 472
398601	black	

- F = cross divider, foil dispenser or knife holder can be inserted into the multifunctional insert

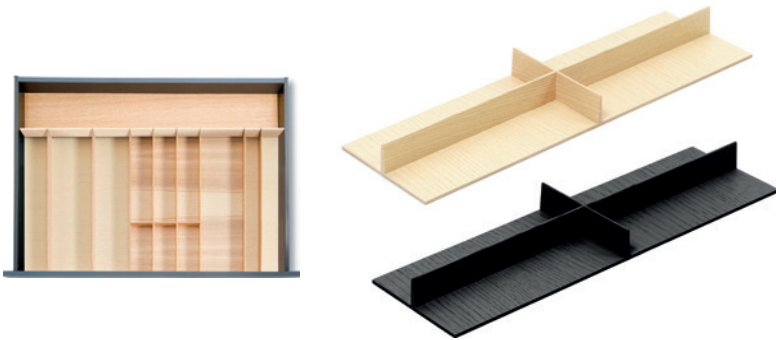
Set for cabinet body width 800–900 mm



code	material	dimensions (mm)
398600	bright oak	580 – 935 × 472
398604	black	580 – 935 × 472

- F = cross divider, foil dispenser or knife holder can be inserted into the multifunctional insert

Additional dividers (cross)



code	material	dimensions (mm)
398605	bright oak	137 × 472
398606	black	

Knife holder



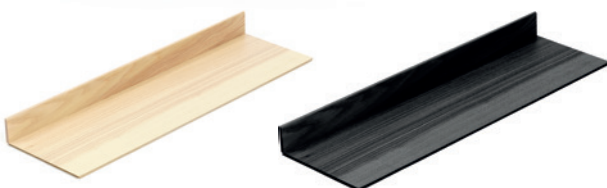
code	material	dimensions (mm)
398607	bright oak	137 × 472
398608	black	

Foil dispenser



code	material	dimensions (mm)
398609	bright oak	137 × 472
398610	black	

Extension part

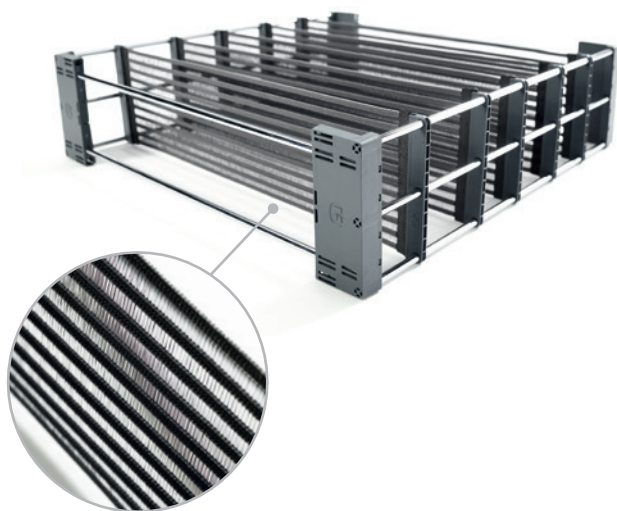


code	material	dimensions (mm)
398618	bright oak	600 × 150
469615	black	

- for drawers with a depth of more than 500 mm (up to 650 mm)
- the width can be shortened with a wood saw

SpaceFlexx – drawer organiser, plate rack

SpaceFlexx – organiser for cabinet body width from 600 mm



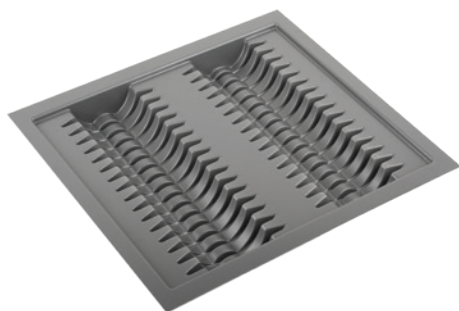
code	description	for drawer depth (mm)	width (mm)
393206	drawer organiser	500	≥ 472 mm / ≥ 520 mm ¹⁾

- the height of the organiser is 130 mm
 - organiser depth is 472 mm
 - power tool-free installation
- ¹⁾the width is adjustable

- SpaceFlexx – an intelligent system for internal drawer organisation.
- Elastic dividers made from the patented nesttex® material – perfect overview and order in the drawer.
- Suitable for all drawer types with a depth and width of min. 450 mm.
- Easy installation without tools.
- Dividers are machine washable – easy maintenance and long service life.
- Awarded the gold seal of 'Best of the Best' – best product in the kitchen fittings category.

Plastic plate organiser

AGOFORM®



code	colour	for cabinet body width (mm)	dimensions of the organiser (mm)
497988	anthracite	600	540 × 490
497990		900	840 × 490

497988

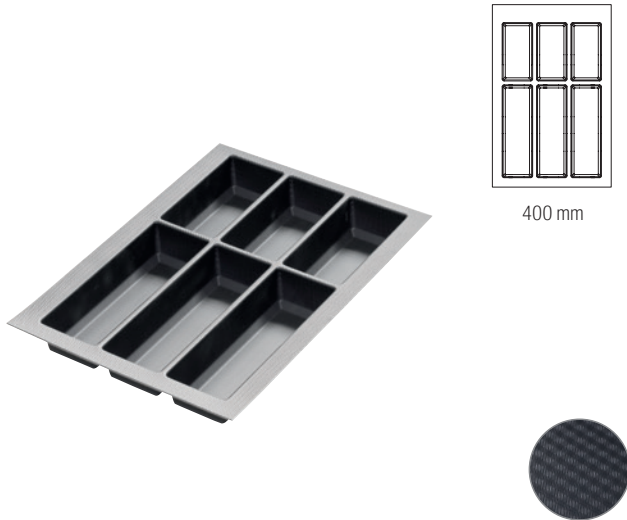
- the holder for 900 mm cabinet body width has three storage rows for plates

- Practical plastic plate rack for various plate sizes for neat and safe storage of crockery in drawers.
- The ideal accessory for modern kitchens where the emphasis is on functionality and order.

Classico cutlery trays for drawer depth 500 mm

- Precise dimensions for Legrabox and StrongMax drawer systems with slide length 500 mm.
- Cutlery tray height 53 mm – ideal for drawers with a low side panel.
- Surface finish: grainy white or Kristall softTouch black.
- Design coordinates with non-slip mats.

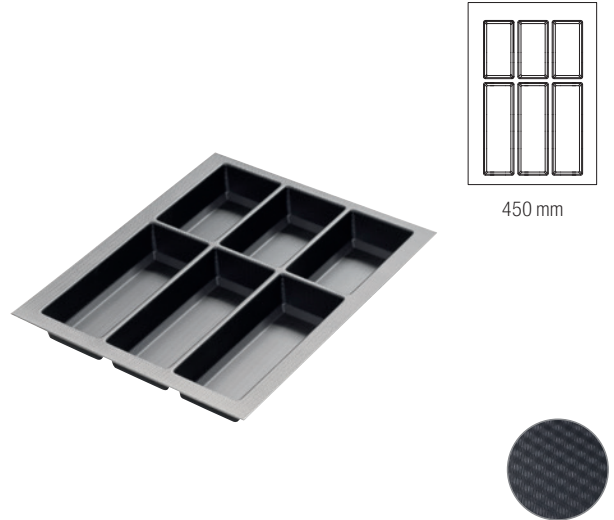
For cabinet body width 400 mm



400 mm

code	colour	min. dimensions after cutting (mm)	dimensions of cutlery trays (mm)
354052	black Kristall softTouch	280 × 445	322 × 474

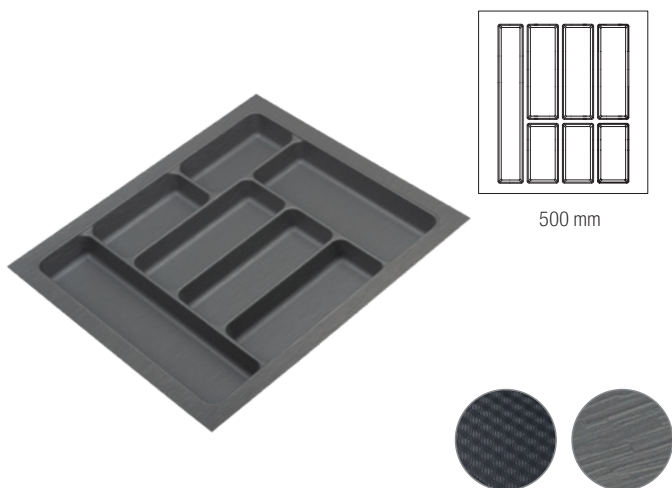
For cabinet body width 450 mm



450 mm

code	colour	min. dimensions after cutting (mm)	dimensions of cutlery trays (mm)
354064	black Kristall softTouch	330 × 445	372 × 474

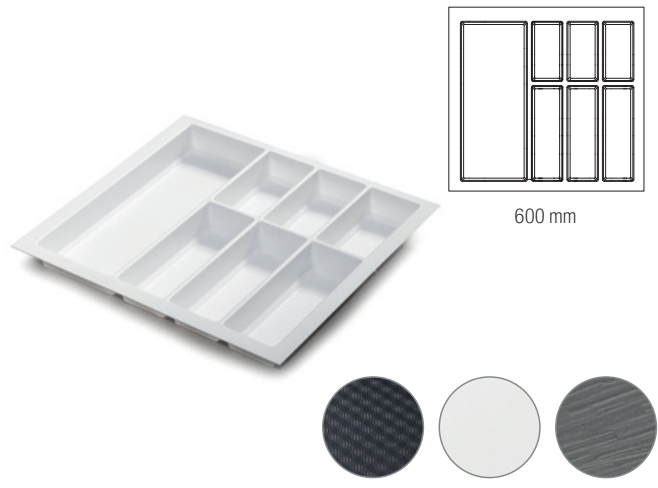
For cabinet body width 500 mm



500 mm

code	colour	min. dimensions after cutting (mm)	dimensions of cutlery trays (mm)
354065	black Kristall softTouch	380 × 445	422 × 474
544943	Split anthracite		

For cabinet body width 600 mm

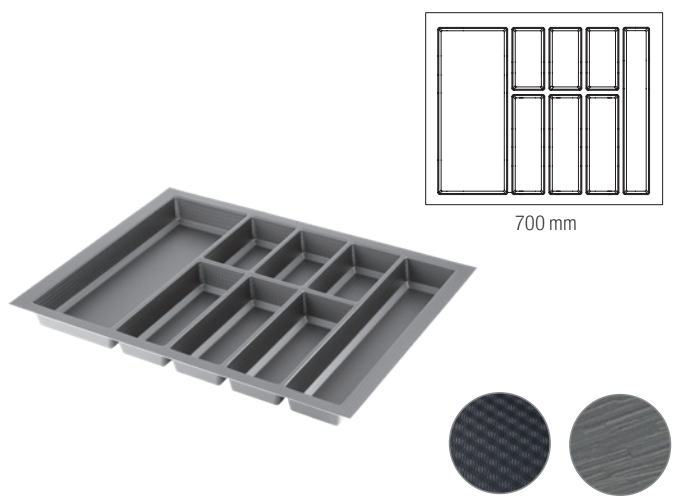


600 mm

code	colour	min. dimensions after cutting (mm)	dimensions of cutlery trays (mm)
354066	black Kristall softTouch	480 × 445	522 × 474
399232	grainy white		
544944	Split anthracite		

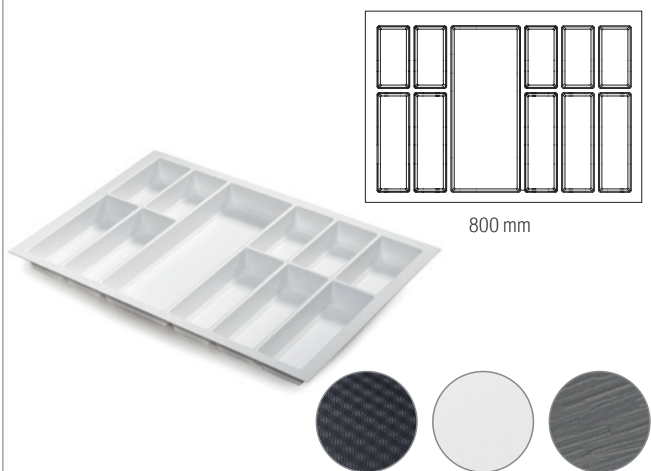
Classico cutlery trays for drawer depth 500 mm

For cabinet body width 700 mm



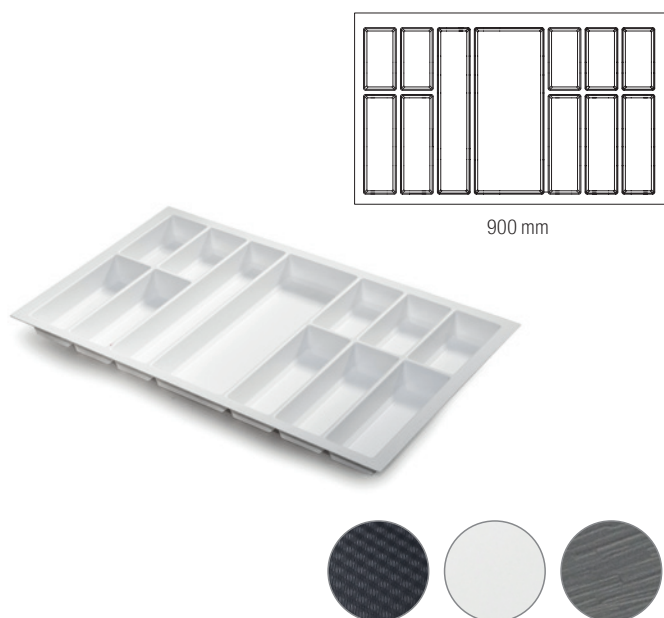
code	colour	min. dimensions after cutting (mm)	dimensions of cutlery trays (mm)
354067	black Kristall softTouch	580 × 445	622 × 474
544945	Split anthracite		

For cabinet body width 800 mm



code	colour	min. dimensions after cutting (mm)	dimensions of cutlery trays (mm)
354068	black Kristall softTouch	680 × 445	722 × 474
399233	grainy white		
544946	Split anthracite		

For cabinet body width 900 mm



code	colour	min. dimensions after cutting (mm)	dimensions of cutlery trays (mm)
354069	black Kristall softTouch	780 × 445	822 × 474
399234	grainy white		
544948	Split anthracite		

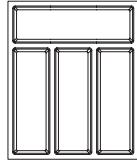
For cabinet body width 1000 mm



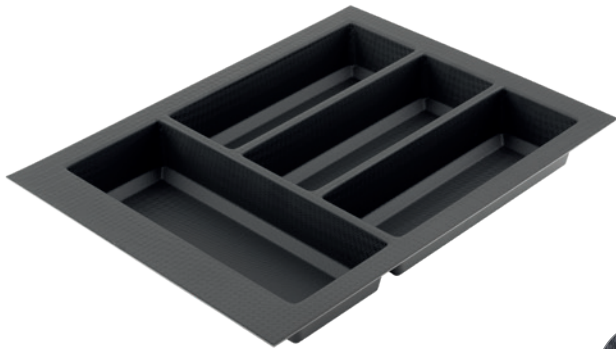
code	colour	min. dimensions after cutting (mm)	dimensions of cutlery trays (mm)
354070	black Kristall softTouch	880 × 445	922 × 474

Classico cutlery trays for drawer depth 450 mm

For cabinet body width 400 mm

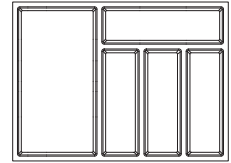


400 mm

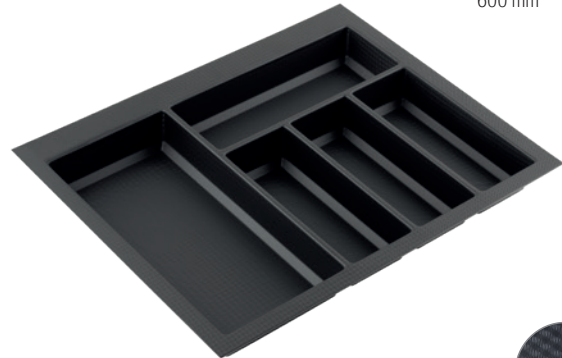


code	colour	min. dimensions after cutting (mm)	dimensions of cutlery trays (mm)
399228	black Kristall softTouch	290 × 370	322 × 424

For cabinet body width 600 mm

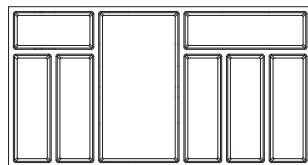


600 mm



code	colour	min. dimensions after cutting (mm)	dimensions of cutlery trays (mm)
399229	black Kristall softTouch	490 × 370	522 × 424

For cabinet body width 800 mm

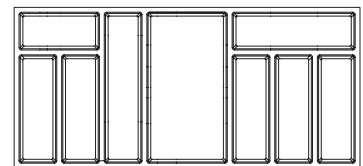


800 mm



code	colour	min. dimensions after cutting (mm)	dimensions of cutlery trays (mm)
399230	black Kristall softTouch	690 × 370	722 × 424

For cabinet body width 900 mm



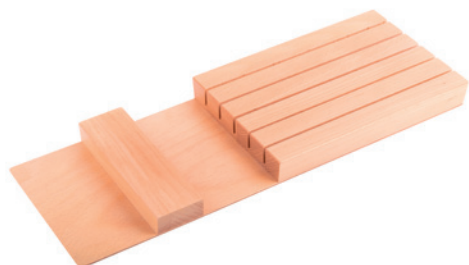
900 mm



code	colour	min. dimensions after cutting (mm)	dimensions of cutlery trays (mm)
399231	black Kristall softTouch	790 × 370	822 × 424

Classico cutlery trays accessories

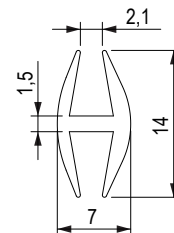
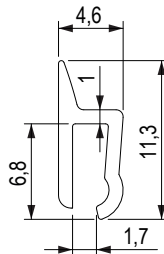
Wooden knife block



code	dimensions (mm)
399235	155 × 422

- knife holder cannot be used in the Classico 1000 mm cutlery tray
- inserts can only be used for dimensions: **600/700/800/900 mm**

End connecting profile for cutlery trays



end profile



connecting profile

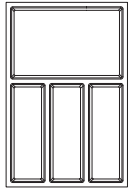
code	description	colour	length (mm)
231601	connecting profile	silver	1200
231599		white	
284593	end profile	silver	500
284986		white	

- for connecting cutlery trays, thickness 1.6–2.5 mm

SKY cutlery trays for drawer depth 500 mm

- Cutlery tray height 50.5 mm – ideal for drawers with a low side panel.
- Colour version white, anthracite.

For cabinet body width 400 mm

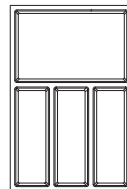


400 mm

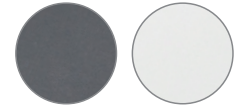


code	colour	min. dimensions after cutting (mm)	dimensions of cutlery trays (mm)
398619	anthracite	315 × 463	322 × 474
398628	white		

For cabinet body width 450 mm

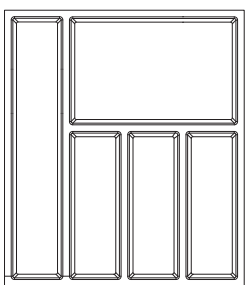


450 mm



code	colour	min. dimensions after cutting (mm)	dimensions of cutlery trays (mm)
398620	anthracite	365 × 463	372 × 474
398629	white		

For cabinet body width 500 mm

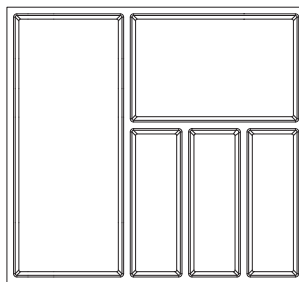


500 mm



code	colour	min. dimensions after cutting (mm)	dimensions of cutlery trays (mm)
398621	anthracite	415 × 463	422 × 474
398630	white		

For cabinet body width 600 mm



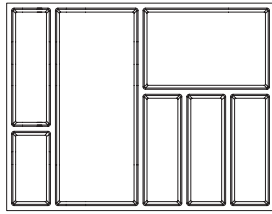
600 mm



code	colour	min. dimensions after cutting (mm)	dimensions of cutlery trays (mm)
398622	anthracite	515 × 463	522 × 474
398631	white		

SKY cutlery trays for drawer depth 500 mm

For cabinet body width 700 mm

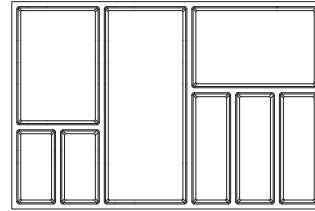


700 mm



code	colour	min. dimensions after cutting (mm)	dimensions of cutlery trays (mm)
398623	anthracite	615 × 463	622 × 474
398632	white		

For cabinet body width 800 mm

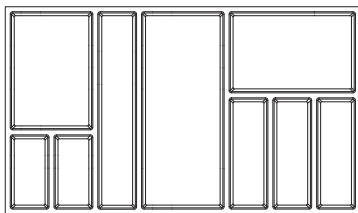


800 mm



code	colour	min. dimensions after cutting (mm)	dimensions of cutlery trays (mm)
398624	anthracite	715 × 463	722 × 474
398633	white		

For cabinet body width 900 mm

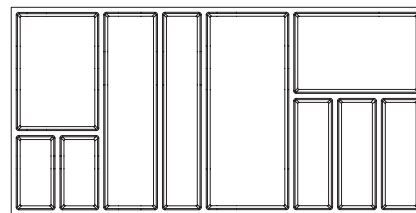


900 mm

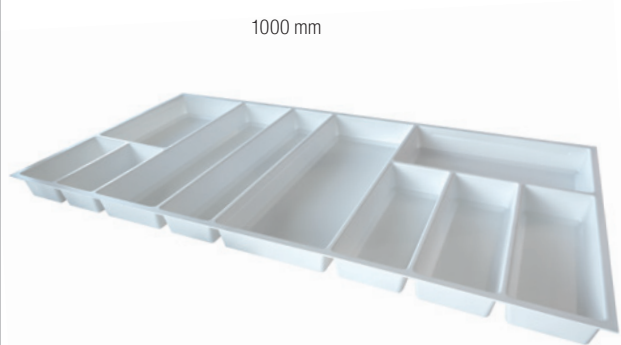
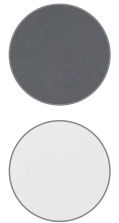


code	colour	min. dimensions after cutting (mm)	dimensions of cutlery trays (mm)
398625	anthracite	815 × 463	822 × 474
398634	white		

For cabinet body width 1000 mm



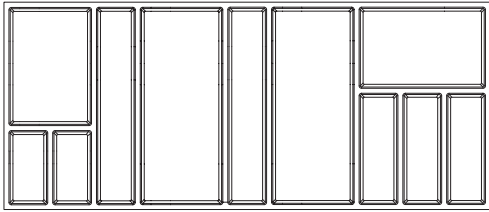
1000 mm



code	colour	min. dimensions after cutting (mm)	dimensions of cutlery trays (mm)
398626	anthracite	915 × 463	922 × 474
398638	white		

SKY cutlery trays for drawer depth 500 mm

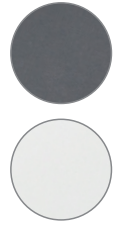
For cabinet body width 1200 mm



1200 mm



Custom-fit for Blum Antaro

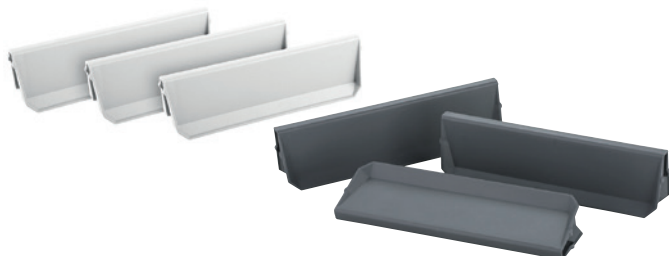


code	colour	min. dimensions after cutting (mm)	dimensions of cutlery trays (mm)
398627	anthracite	1115 × 463	1122 × 474

code	colour	dimensions of cutlery trays (mm)
414651	anthracite	516 × 474
414653		716 × 474
414655		816 × 474
421230		916 × 474
414652	white	516 × 474
414654		716 × 474
414656		816 × 474

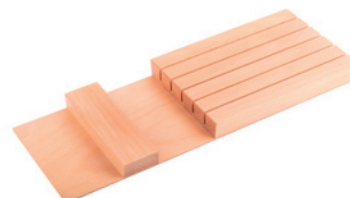
SKY cutlery trays accessories

Dividing partition



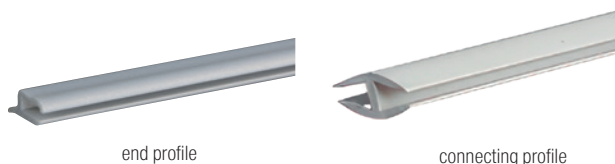
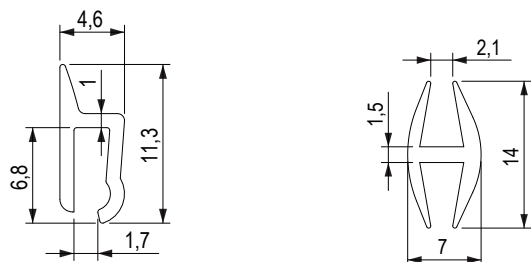
code	description	colour
398640	set of 3 pcs of dividers for SKY cutlery trays	white
398639	set of 3 pcs of dividers for SKY cutlery trays	anthracite

Knife holder



code	description
398648	wooden knife holder

End connecting profile for cutlery trays



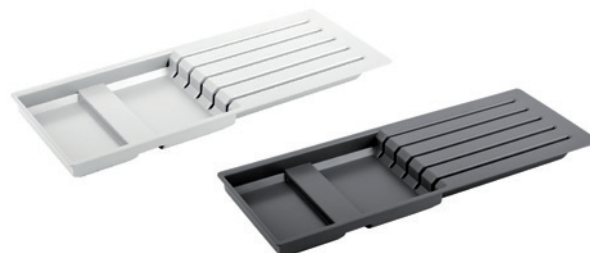
end profile

connecting profile

code	description	colour	length (mm)
231601	connecting profile	silver	1200
231599		white	
284593	end profile	silver	500
284986		white	

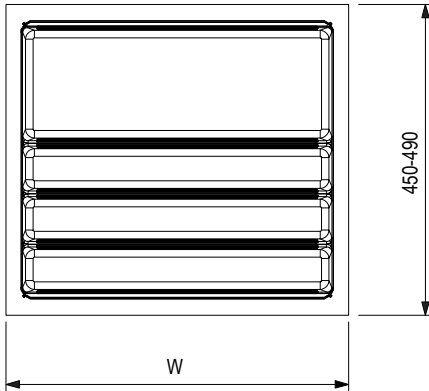
• for connecting cutlery trays, thickness 1.6-2.5 mm

Knife holder



code	description	colour
398650	plastic knife holder	white
398651	plastic knife holder	anthracite

- variable system
- an optional number of sliding dividers can be purchased additionally
- thickness of the material used is 2.5 mm
- height of the dividers is 50 mm and the total height of the cutlery tray is 60 mm



📐 dimension calculations for selected slide models can be found on p. 04.4



For cabinet body width 400 mm



code	colour	min. dimensions after trimming (mm)	cutlery tray dimensions (mm)
144136	silver	300 × 450	340 × 490

For cabinet body width 500 mm



code	colour	min. dimensions after trimming (mm)	cutlery tray dimensions (mm)
144137	silver	400 × 450	440 × 490

For cabinet body width 600 mm



code	colour	min. dimensions after trimming (mm)	cutlery tray dimensions (mm)
144138	silver	500 × 450	540 × 490

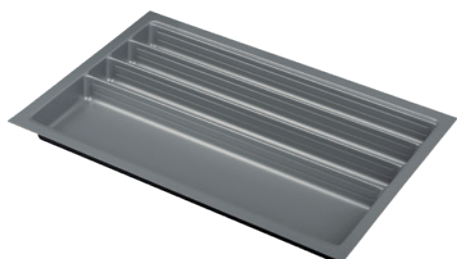
For cabinet body width 700 mm



code	colour	min. dimensions after trimming (mm)	cutlery tray dimensions (mm)
144139	silver	600 × 450	640 × 490

Scoop cutlery trays

For cabinet body width 800 mm



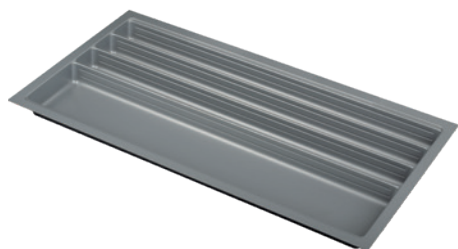
code	colour	min. dimensions after trimming (mm)	cutlery tray dimensions (mm)
144140	silver	700 × 450	740 × 490

For cabinet body width 900 mm



code	colour	min. dimensions after trimming (mm)	cutlery tray dimensions (mm)
144141	silver	600 × 800	800 × 490

For cabinet body width 1000 mm



code	colour	min. dimensions after trimming (mm)	cutlery tray dimensions (mm)
144142	silver	900 × 450	940 × 490



Sliding dividing partition



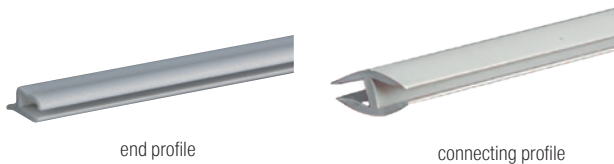
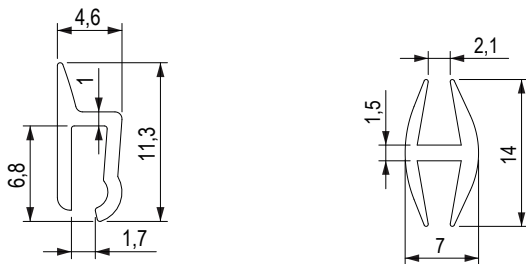
code	description	colour
144171	small plastic	grey
144172	large plastic	grey

Additional double container



code	description	colour
144175	plastic 180 × 180 mm	silver

End connecting profile for cutlery trays



code	description	colour	length (mm)
231601	connecting profile	silver	1200
231599		white	
284593	end profile	silver	500
284986		white	

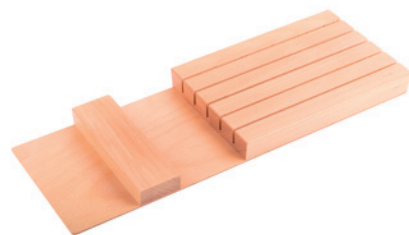
- for connecting cutlery trays, thickness 1.6–2.5 mm

Knife holder



code	description	colour
390418	plastic 240 × 180 mm	stainless steel imitation

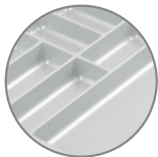
Knife holder



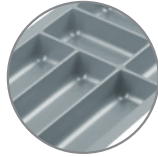
code	material
398652	wooden

Nolago cutlery tray for Merivobox with drawer depth of 500 mm

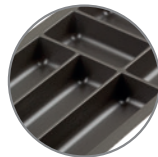
- Nolago cutlery tray custom-fit for Merivobox drawer systems with depth 500 mm.
- Designed for cabinet bodies with a thickness of 18 mm.
- Available variants for cabinet body width 400–1 200 mm.
- The colour finish coordinates with the Merivobox side panel design – for a uniform and elegant drawer appearance.
- Cutlery tray height is 50 mm.



white



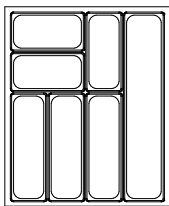
silver



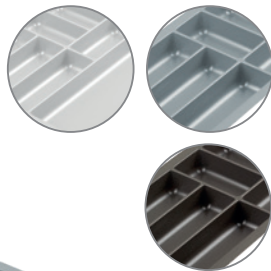
basalt grey

customised cutlery trays

For cabinet body width 500 mm

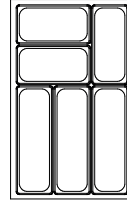


500 mm

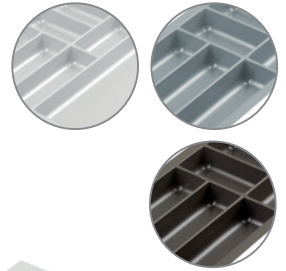


code	colour	cutlery tray dimensions (mm)
498033	white	408 × 473
498040	silver	
498054	basalt grey	

For cabinet body width 400 mm

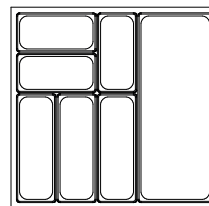


400 mm

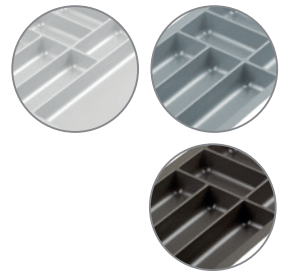


code	colour	cutlery tray dimensions (mm)
498032	white	308 × 473
498039	silver	
498053	basalt grey	

For cabinet body width 600 mm



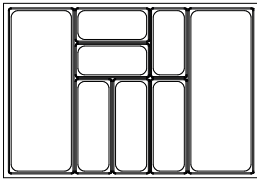
600 mm



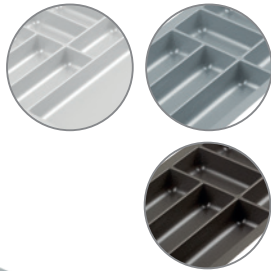
code	colour	cutlery tray dimensions (mm)
498034	white	508 × 473
498041	silver	
498055	basalt grey	

Nolago cutlery tray for Merivobox with drawer depth of 500 mm

For cabinet body width 800 mm

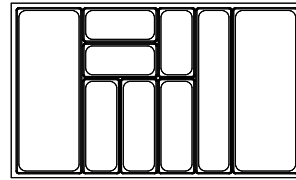


800 mm

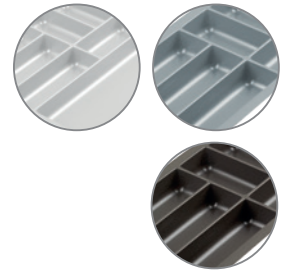


code	colour	cutlery tray dimensions (mm)
498035	white	708 × 473
498042	silver	
498056	basalt grey	

For cabinet body width 900 mm

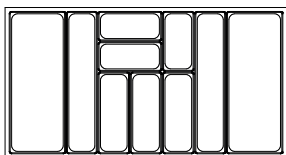


900 mm

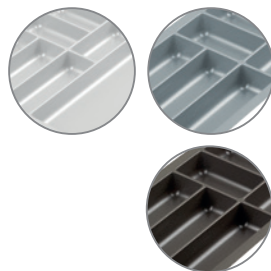


code	colour	cutlery tray dimensions (mm)
498036	white	808 × 473
498043	silver	
498057	basalt grey	

For cabinet body width 1000 mm

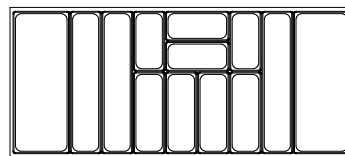


1000 mm

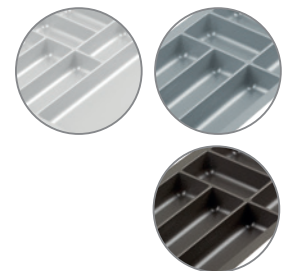


code	colour	cutlery tray dimensions (mm)
498037	white	908 × 473
498044	silver	
498058	basalt grey	

For cabinet body width 1200 mm



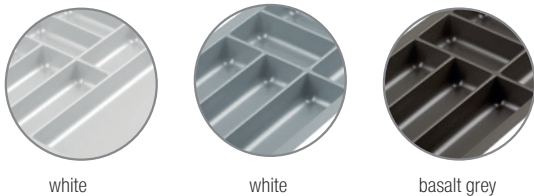
1200 mm



code	colour	cutlery tray dimensions (mm)
498038	white	1 108 × 473
498045	silver	
498056	basalt grey	

Nolago cutlery tray for Merivobox with drawer depth of 450 mm

- Nolago cutlery tray custom-fit for Merivobox drawer systems with depth 450 mm.
- Designed for cabinet bodies with a thickness of 18 mm.
- Available for cabinet widths 400–1200 mm.
- The colour finish coordinates with the Merivobox side panel design – for a uniform and elegant drawer appearance.
- Cutlery tray height is 50 mm.



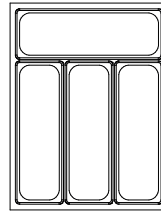
white

white

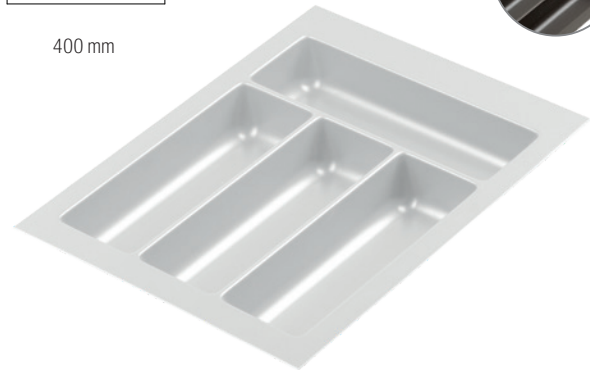
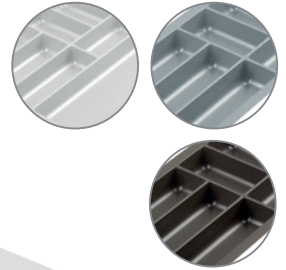
basalt grey

i customised cutlery trays

For cabinet body width 400 mm

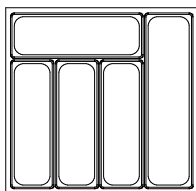


400 mm

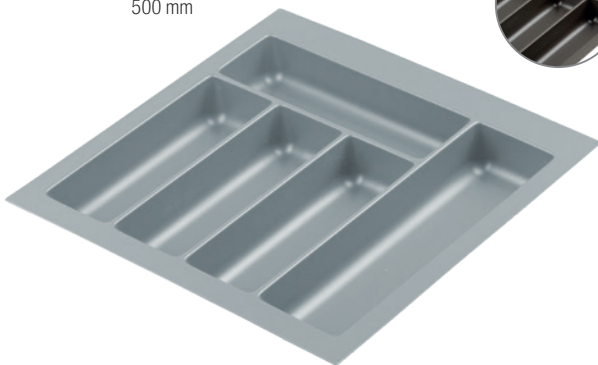
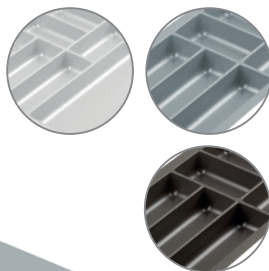


code	colour	cutlery tray dimensions (mm)
498001	white	308 × 423
498008	silver	
498022	basalt grey	

For cabinet body width 500 mm

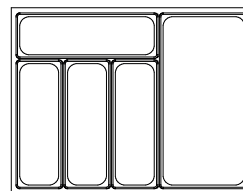


500 mm

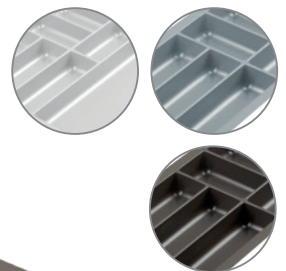


code	colour	cutlery tray dimensions (mm)
498002	white	408 × 423
498009	silver	
498023	basalt grey	

For cabinet body width 600 mm



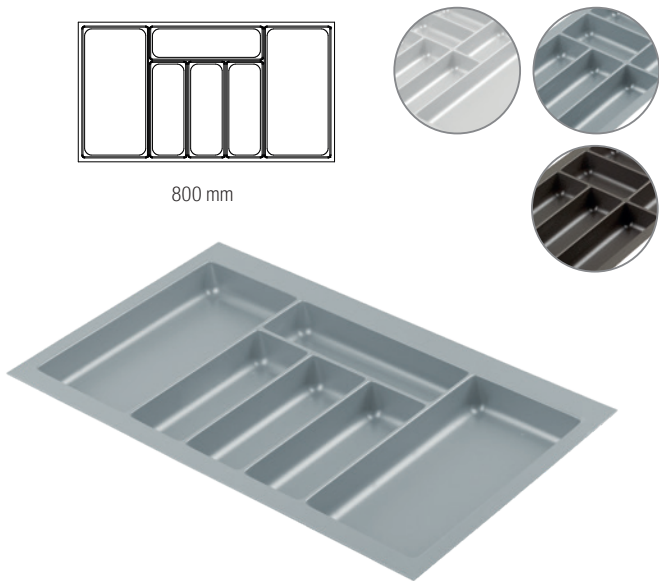
600 mm



code	colour	cutlery tray dimensions (mm)
498003	white	508 × 423
498010	silver	
498024	basalt grey	

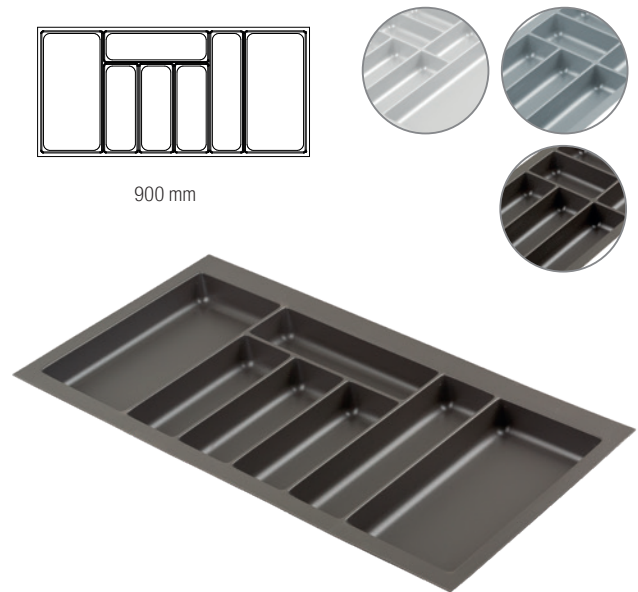
Nolago cutlery tray for Merivobox with drawer depth of 450 mm

For cabinet body width 800 mm



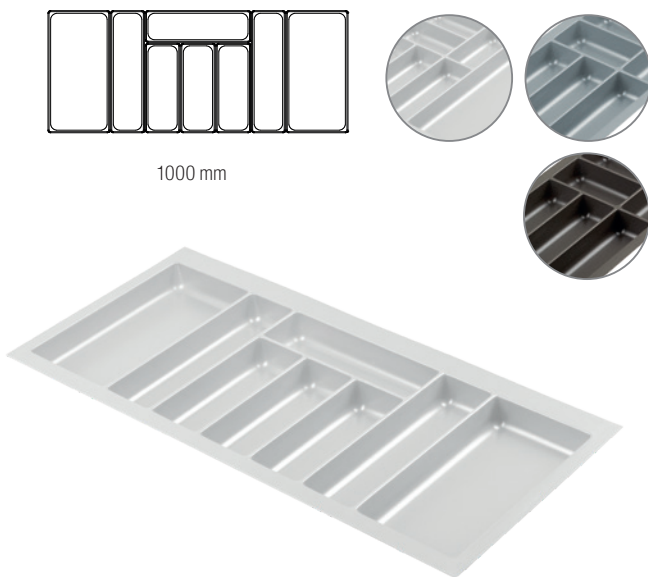
code	colour	cutlery tray dimensions (mm)
498004	white	708 × 423
498011	silver	
498025	basalt grey	

For cabinet body width 900 mm



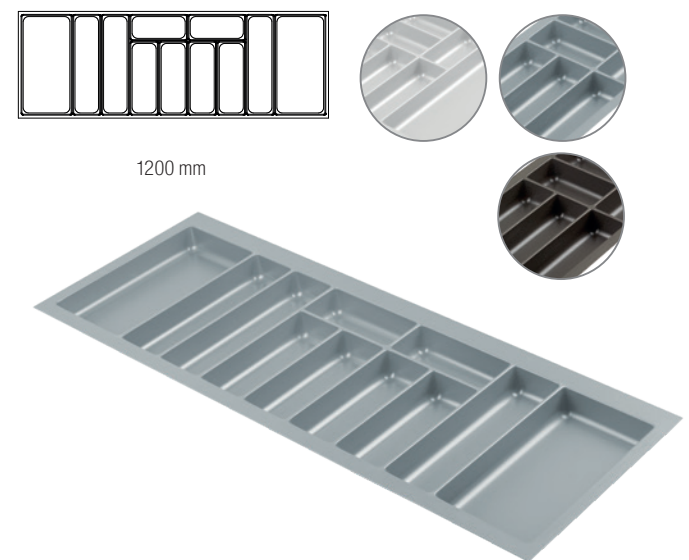
code	colour	cutlery tray dimensions (mm)
498005	white	808 × 423
498012	silver	
498026	basalt grey	

For cabinet body width 1000 mm



code	colour	cutlery tray dimensions (mm)
498006	white	908 × 423
498013	silver	
498027	basalt grey	

For cabinet body width 1200 mm



code	colour	cutlery tray dimensions (mm)
498007	white	1 108 × 423
498014	silver	
498028	basalt grey	

ORGA-LINE cutlery trays and utensil dividers



Kitchen utensils



¹⁾ the set includes: plate holder, paper and aluminium foil dispenser, knife holder and spice rack

²⁾ spice rack according to the cabinet body width or space in which they will be placed

code	Blum code	description
92051	ZOU.30U1I	set of kitchen utensils ¹⁾
92062	ZSZ.02M0	knife holder
92099	ZSZ.02F0	Orga Line aluminium foil cutter 88.5/411 mm
92088	ZSZ.01F0	Orga Line cling film cutter 88.5/411 mm
92068	ZFZ.30G0I	spice rack 300 mm ²⁾
92067	ZFZ.40G0I	spice rack 400 mm ²⁾
92059	ZFZ.45G0I	spice rack 450 mm ²⁾
227693	ZC7T0350	plate holder

Cutlery tray for 450, 500 and 550 mm cabinet body



cabinet body width (mm)	450		500		550	
	depth (mm)	code	Blum code	code	Blum code	code
450	12313	ZSI.45VEI4	167542	ZSI.50VEI4	13028	ZSI.55VEI4
500	12981	ZSI.45VEI6	12965	ZSI.50VEI6	13002	ZSI.55VEI6

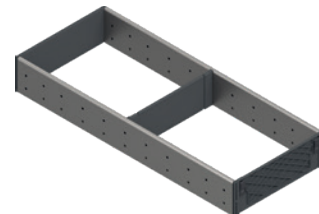
Cutlery tray for 400 mm cabinet body



• The drawings are for illustrative purposes only!

depth (mm)	code	Blum code
450	12983	ZSI.450BI3
500	12984	ZSI.500BI3
550	12985	ZSI.550BI3

Utensil divider for 400–599 mm cabinet body



depth (mm)	code	Blum code
450	13038	ZSI.450FI2
500	12992	ZSI.500FI2
550	13695	ZSI.550FI2

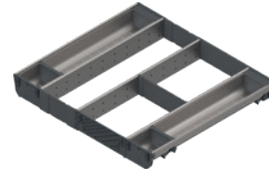
ORGA-LINE cutlery trays and utensil dividers

Cutlery tray for 600 mm cabinet body



depth (mm)	code	Blum code
450	12962	ZSI.60VEI4
500	12976	ZSI.60VEI6
550	12973	ZSI.60VEI7

Utensil divider for 600 mm cabinet body



depth (mm)	code	Blum code
450	12963	ZSI.60VUI4
500	92078	ZSI.60VUI6
550	14097	ZSI.60VUI7

Cutlery tray for 800 mm cabinet body



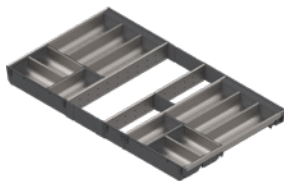
depth (mm)	code	Blum code
450	12935	ZSI.80VEI4
500	12977	ZSI.80VEI6
550	12948	ZSI.80VEI7

Utensil divider for 800 mm cabinet body



depth (mm)	code	Blum code
450	12945	ZSI.80VUI4
500	12991	ZSI.80VUI6

Cutlery tray for 900 mm cabinet body



• The drawings are for illustrative purposes only!

depth (mm)	code	Blum code
450	13013	ZSI.90VEI4
500	14231	ZSI.90VEI6
550	12987	ZSI.90VEI7

Utensil divider for 900 mm cabinet body

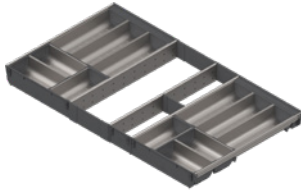


depth (mm)	code	Blum code
450	12910	ZSI.90VUI4
500	12978	ZSI.90VUI6
550	12917	ZSI.90VUI7

ORGA-LINE cutlery trays, utensil dividers and inner dividing systems

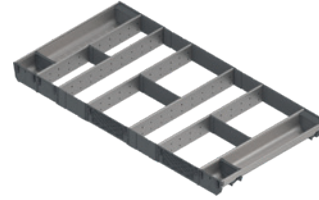


Cutlery tray for 1 000 mm cabinet body



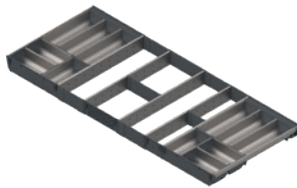
depth (mm)	code	Blum code
450	13007	ZSl.10VEI4
500	12968	ZSl.10VEI6
550	12966	ZSl.10VEI7

Utensil divider for 1 000 mm cabinet body



depth (mm)	code	Blum code
500	13008	ZSl.10VUI6

Cutlery tray for 1200 mm cabinet body



• The drawings are for illustrative purposes only!

depth (mm)	code	Blum code
450	134147	ZSl.12VEI4
500	12982	ZSl.12VEI6
550	14230	ZSl.12VEI7

Utensil divider for 1200 mm cabinet body



depth (mm)	code	Blum code
450	92142	ZSl.12VUI4
500	92079	ZSl.12VUI6

Cutlery tray for SPACE CORNER



depth (mm)	code	Blum code
600	12967	ZSl.450BI3
650	12993	ZSl.500BI3

Cutlery tray for 275–399 mm cabinet body



depth (mm)	code	Blum code
500	12989	ZSl.500BI1N

ORGA-LINE cutlery trays and inner dividing systems

Cutlery tray container, stainless steel



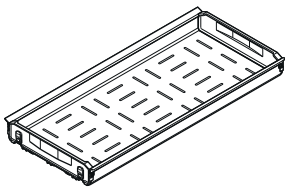
width × length (mm)	code	Blum code
88 × 88	13011	ZSl.010Sl
88 × 176	13012	ZSl.020Sl
88 × 264	13072	ZSl.030Sl
88 × 352	99012	ZSl.040Sl

Sliding dividing partition, plastic



length (mm)	code	Blum code
88	13014	ZSl.010Q
176	13015	ZSl.020Q

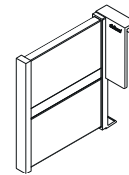
Bottle rack, stainless steel



¹⁾ for a depth of 500 mm

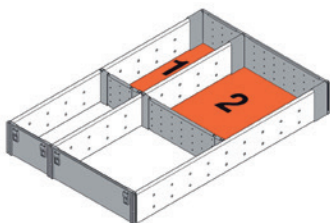
cabinet body width (mm)	for bottles	
	code	Blum code
300 ¹⁾	92080	Z48.30B016

Lateral divider



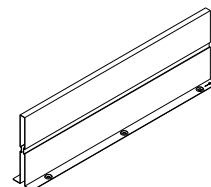
colour	code	Blum code
white	IN552B	Z43L100S
grey	221230	

Utensil divider for Movento or Tandem



cabinet body width (mm)	400–499 mm	
depth (mm)	code	Blum code
500	13046	ZHI.437F13

Dividing wall

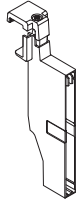


depth (mm)	colour		Blum code
	white	grey	
450	349432	13163	Z46L420S
500	13164	13162	Z46L470S

ORGA-LINE inner dividing systems



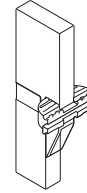
Cross divider connector



- ZRU.01E0 connector WGR + bar

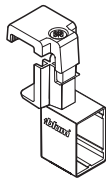
for height	colour		Blum code
	white	grey	
C	210826	210827	Z40C0002Z
D	210830	210831	Z40D0002Z

Cross divider connector – dividing wall



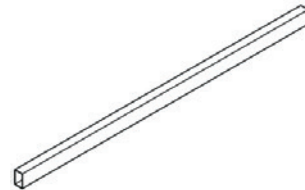
colour		Blum code
white	grey	
IN551B	202582	Z40L0002

Cross gallery connector



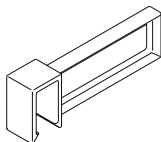
colour		Blum code
white	grey	
229193	229192	ZRU.01E0

Cross gallery 1 104 mm



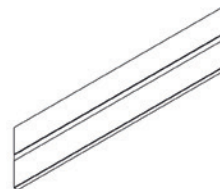
colour		Blum code
white	grey	
202535	202534	ZRG.1104Q

Lateral divider



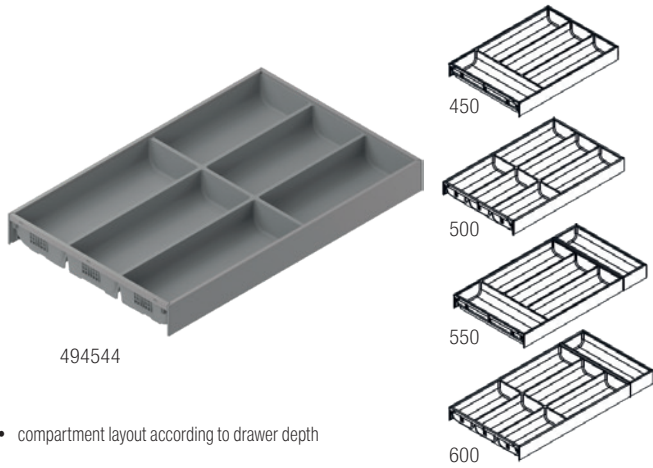
colour		Blum code
white	grey	
202539	202538	ZRU.11F0

Cross divider



cabinet body width (mm)	colour		Blum code
	white	grey	
300	210838	210837	Z40L177A
600	210846	210845	Z40L477A
900	210850	210849	Z40L777A
1200	IN550B	210943	Z40L1077A

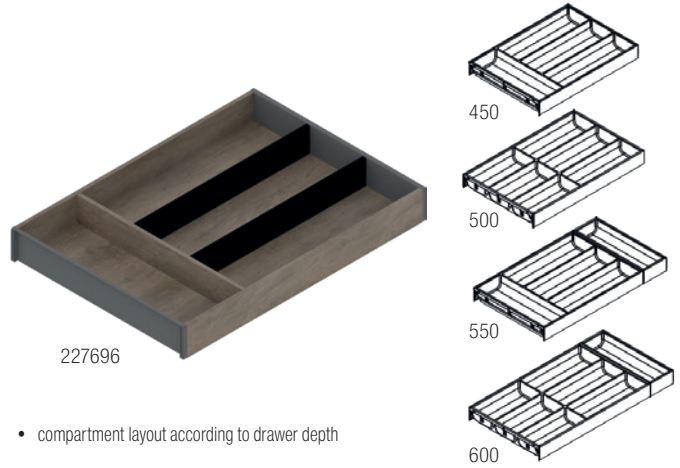
Cutlery tray – uni-colour, width 300 mm



• compartment layout according to drawer depth

depth (mm)	silky white / Orion grey SW-M	orion grey OG-M	carbon black CS-M	indium grey IG-M	Blum code
450	227613	227614	494543	494544	ZC7S450BS3
500	227616	227617	494549	494550	ZC7S500BS3
550	227619	227621	494555	494556	ZC7S550BS3
600	227623	227624	494559	494560	ZC7S600BS3
650	279408	279407	494565	494566	ZC7S650BS3

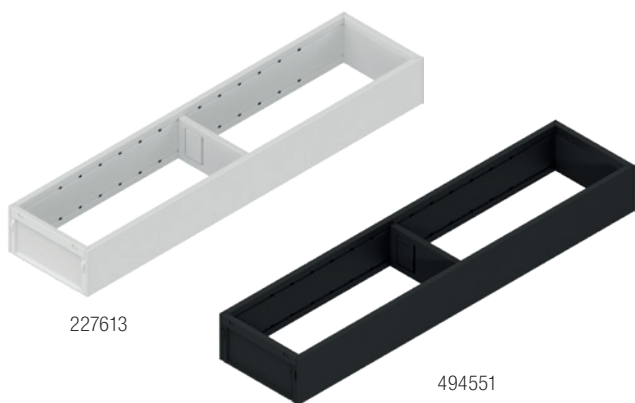
Cutlery tray – wood, width 300 mm



• compartment layout according to drawer depth

depth (mm)	nebraska oak	Tennessee walnut	Bardolino oak	Blum code
450	227696	227697	227698	ZC7S450BH3
500	227699	227700	227701	ZC7S500BH3
550	227703	227704	227705	ZC7S550BH3
600	227707	227708	227709	ZC7S600BH3

Frame – uni-colour, width 100 mm



Frame – wood, width 100 mm

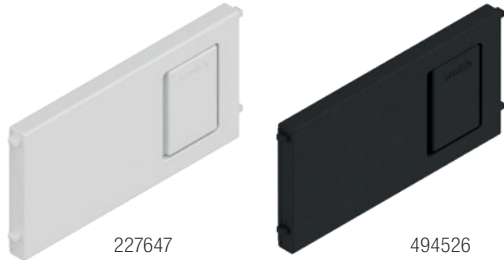


depth (mm)	silky white / Orion grey SW-M	orion grey OG-M	carbon black CS-M	indium grey IG-M	Blum code
450	227635	227636	494545	494546	ZC7S450RS1
500	227638	227639	494551	494552	ZC7S500RS1
550	227641	227642	494557	492136	ZC7S550RS1
600	227644	227645	494561	494562	ZC7S600RS1

depth (mm)	nebraska oak	Tennessee walnut	Bardolino oak	Blum code
450	227718	227719	227720	ZC7S450RH1
500	227721	227722	227723	ZC7S500RH1
550	227724	227725	227726	ZC7S550RH1
600	227727	227728	227729	ZC7S600RH1

AMBIA-LINE inner dividing systems for Legrabox and Merivobox

Sliding dividing partition, uni-colour



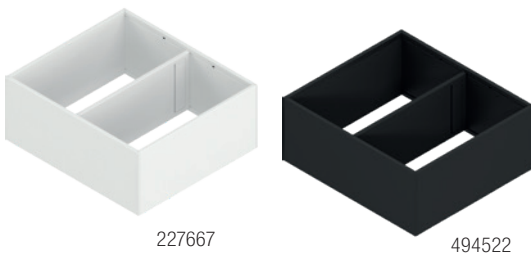
depth (mm)	silky white SW-M	orion grey OG-M	carbon black CS-M	indium grey IG-M	Blum code
100	227647	227648	494526	492134	ZC7Q010SS
200	227663	227664	494527	492135	ZC7Q020SS

Sliding dividing partition, wood



depth (mm)	nebraska oak	Tennessee walnut	Bardolino oak	Blum code
100	227730	227731	227732	ZC7Q010SH
200	227745	227746	227747	ZC7Q020SH

Frame – uni-colour, heights C and F



depth (mm)	silky white SW-M	orion grey OG-M	carbon black CS-M	indium grey IG-M	Blum code
242	227667	227668	494522	494523	ZC7F300RSU

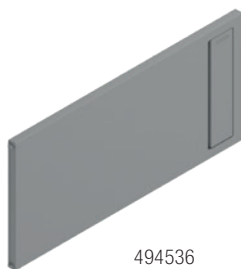
Frame – wood, heights C and F



depth (mm)	nebraska oak	Tennessee walnut ¹⁾	Bardolino oak	Blum code
242	227748	227749	227750	ZC7F300RHU

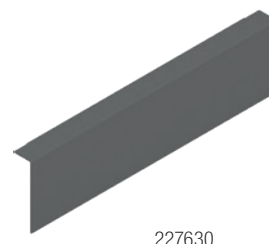
¹⁾ wood imitations do not come with magnet

Sliding dividing partition



depth (mm)	silky white SW-M	orion grey OG-M	carbon black CS-M	indium grey IG-M	Blum code
110	227685	227686	494528	494536	ZC7Q010SS

Adapter profile



depth (mm)	silky white SW-M	orion grey OG-M	carbon black CS-M	indium grey IG-M	Blum code
M	227629	227630	494516	494517	ZC7A0U0M



AMBIA-LINE inner dividing systems for Legrabox and Merivobox

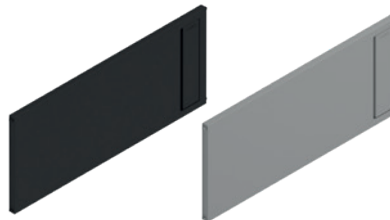
Adapter profile



494513

depth (mm)	silky white SW-M	orion grey OG-M	carbon black CS-M	indium grey IG-M	Blum code
C	227670	227671	494512	494513	ZC7A0UOC

Sliding dividing partition



494537

494538

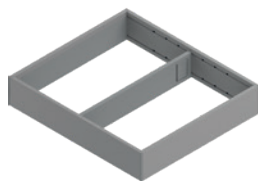
depth (mm)	silky white SW-M	orion grey OG-M	carbon black CS-M	indium grey IG-M	Blum code
C	227673	227674	494537	494538	ZC7Q0U0FS

• The drawings are for illustrative purposes only!

Frame – uni-colour, heights M and K



227626



494542

depth (mm)	silky white SW-M	orion grey OG-M ¹⁾	carbon black CS-M ¹⁾	indium grey IG-M	Blum code
242	227626	227627	494541	494542	ZC7S300RSU

¹⁾ with magnet for connecting to the rear wall or side; for depth from 270 mm

Frame – wood, heights M and K

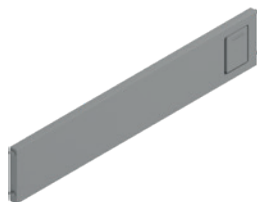


227711

depth (mm)	nebraska oak	Tennessee walnut ¹⁾	Bardolino oak	Blum code
242	227711	227712	227750	ZC7F300RHU

¹⁾ with magnet for connecting to the rear wall or side; for depth from 270 mm

Sliding dividing partition, uni-colour



494540

depth (mm)	silky white SW-M	orion grey OG-M ¹⁾	carbon black CS-M ¹⁾	indium grey IG-M	Blum code
242	227632	227633	494539	494540	ZC7Q0U0SS

¹⁾ with magnet for connecting to the rear wall or side; for depth from 270 mm

Sliding dividing partition, wood



227714

depth (mm)	nebraska oak	Tennessee walnut ¹⁾	Bardolino oak	Blum code
242	227714	227715	227716	ZC7Q0U0SH

AMBIA-LINE inner dividing systems for Legrabox and Merivobox

Frame – uni-colour, width 200 mm



494563

depth (mm)	silky white SW-M	orion grey OG-M	carbon black CS-M	Indium grey IG-M	Blum code
450	227650	227651	494547	494548	ZC7S450RS2
500	227653	227654	494553	494554	ZC7S500RS2
550	227656	227657	494558	492137	ZC7S550RS2
600	227660	227661	494563	494564	ZC7S600RS2

Frame – wood, width 200 mm



227733

depth (mm)	nebraska oak	Tennessee walnut	Bardolino oak	Blum code
450	227733	227737	227735	ZC7S450RH2
500	227736	227737	227738	ZC7S500RH2
550	227739	227740	227741	ZC7S550RH2
600	227742	227743	227744	ZC7S600RH2

Frame – uni-colour, heights C and F



227676

depth (mm)	silky white SW-M	orion grey OG-M	carbon black CS-M	Indium grey IG-M	Blum code
242	227676	227677	494524	494525	ZC7S500RS2

Frame – wood, heights C and F



227754

depth (mm)	nebraska oak	Tennessee walnut	Bardolino oak	Blum code
242	227754	227755	227756	ZC7F400RHP

- wood imitations do not have a magnet

Adapter profile



494510

height	silky white SW-M	orion grey OG-M	black CS-M	Indium grey IG-M	Blum code
C	227679	227680	494535	494510	ZC7A0POC
F	227682	227683	494511	×	ZC7A0POF

Lateral divider



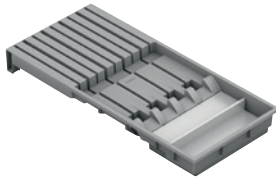
267756

colour	code	Blum code
silky white SW-M	275351	ZC7U10F0
orion grey OG-M	267756	
black CS-M	494572	



AMBIA-LINE kitchen utensil holders for Legrabox and Merivobox

Knife holder



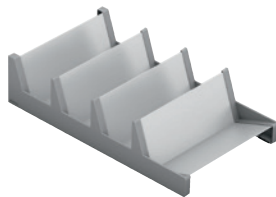
description	code	Blum code
plastic	227688	ZC7M0200

Foil holder



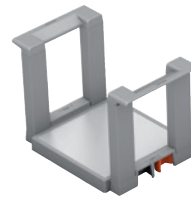
description	code	Blum code
holder including foils	227689	ZC7C000
holder without foils	227690	ZC7C001

Spice holder



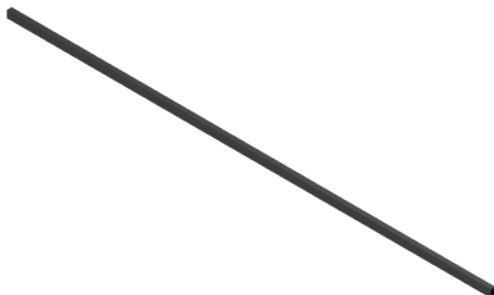
description	code	Blum code
plastic	227691	ZC7G0P01

Plate holder



description	code	Blum code
plastic	227693	ZC7T0350

Cross gallery



491359

colour	code	Blum code
silky white SW-M	227596	ZR7.1080U
orion grey OG-M	227597	
black CS-M	491359	

Cross gallery connector



265217

	silky white SW-M	orion grey OG-M	carbon black CS-M	Blum code
pure	265217	265028	494571	ZC7U10E0
free	279376	279375	494573	ZC7U11E0



OrgaTray cutlery trays



Cutting dimensions



ArciTech:

- cutting width (B) = LB - 2 × EB - 47 mm
- cutting depth = nominal length - 27 mm

InnoTech Aтира:

- cutting width (B) = LB - 2 × EB - 37 mm
- cutting width (B) = LB - 2 × EB - 47 mm
- cutting depth = nominal length - 8 mm

AvanTech YOU:

- cutting width (B) = NB - 2 × KD - 42
- cutting depth = nominal length - 27 mm

- EB (InnoTech + Aтира) for sides thickness 18 mm = 10.5 mm
- EB (ArciTech) for sides thickness 18 mm = 13 mm
- KD (AvanTech) is the thickness of the material on the cabinet body sides
- LB = inner cabinet body clearance
- NB = outer cabinet body clearance

OrgaTray 440 for ArciTech and InnoTech Aтира drawers



width (mm)	white			anthracite			silver		
	depth (mm)								
	380-440	441-520	581-620	380-440	441-520	581-620	380-440	441-520	581-620
175 - 200	295080	295093	×	295111	295124	×	108167	106737	×
201 - 250	295081	295094	×	295112	295125	×	106738	106739	×
251 - 300	295082	295095	×	295113	295126	×	106741	106743	×
301 - 350	295083	295096	×	295114	295127	×	106746	106748	×
351 - 400	295084	295097	×	295115	295128	×	106749	106752	×
401 - 450	295085	295098	×	295116	295129	×	106753	106755	×
451 - 500	295086	295099	×	295117	295130	×	106757	106766	×
501 - 600	295087	295100	295106	295118	295131	295137	106771	106713	295137
601 - 700	295088	295101	295278	295119	295132	295279	135803	134609	295279
701 - 800	295089	295102	295107	295120	295133	295138	301328	106776	295138
801 - 900	295090	295103	295108	295121	295134	295139	106779	106780	295139
901 - 1000	×	×	×	×	×	×	×	106781	×
1091 - 1150	295092	295105	295110	295123	295136	295141	106730	106731	295141

OrgaTray 480 for InnoTech Aтира drawers



width (mm)	white	anthracite	silver
400	295285	295290	295280
500	295286	295291	295281
550	295287	295292	295282
600	295288	295293	295283
900	295289	295294	295284

Holders



description	code
knife holder	104313
vertical spice rack	104296
horizontal spice rack	161716

OrgaTray 490 for InnoTech Atira drawers



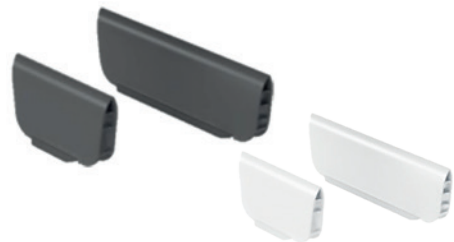
nominal length (mm)	white	anthracite	silver
470	295329	295331	295327
520	295330	295332	295328

OrgaTray 590 for InnoTech Atira



width (mm)	white		anthracite		silver	
	depth (mm)					
	420	470	420	470	420	470
300	×	295060	×	295071	×	295052
400	×	295061	×	295072	×	295053
450	×	295062	×	295073	×	295054
500	295058	295063	295069	295074	295050	295055
550	×	295064	×	295075	×	295056
600	295059	295065	295070	295076	295051	288715
800	×	295066	×	295077	×	288716
900	×	295067	×	295078	×	288717
1000	×	295068	×	295079	×	295057

Dividing elements



length (mm)	white	anthracite	silver
68	295299	295297	295298
128	295296	295295	106659

OrgaStore and OrgaTray cutlery trays



OrgaStore 410 (standard width) for Innotech Atira high drawers



cabinet body width (mm)		anthracite	
300	294802	294807	294797

cabinet body width (mm)	white	anthracite	silver
600	294804	294809	294799
800	295365	295367	295363

OrgaStore 410 (for individual widths)



description	white	anthracite	silver
gallery 1 102 mm	548322	548323	548321
adapter	294816	294818	294814
lateral element	294817	294820	294815

OrgaTray 510



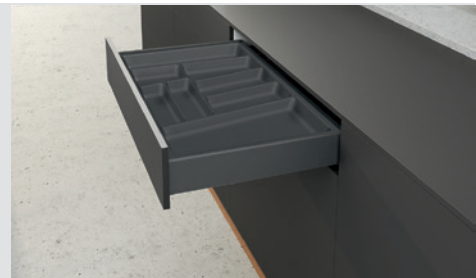
white	anthracite	silver
301100	301101	301099



OrgaTray 740 cutlery trays for AvanTech YOU

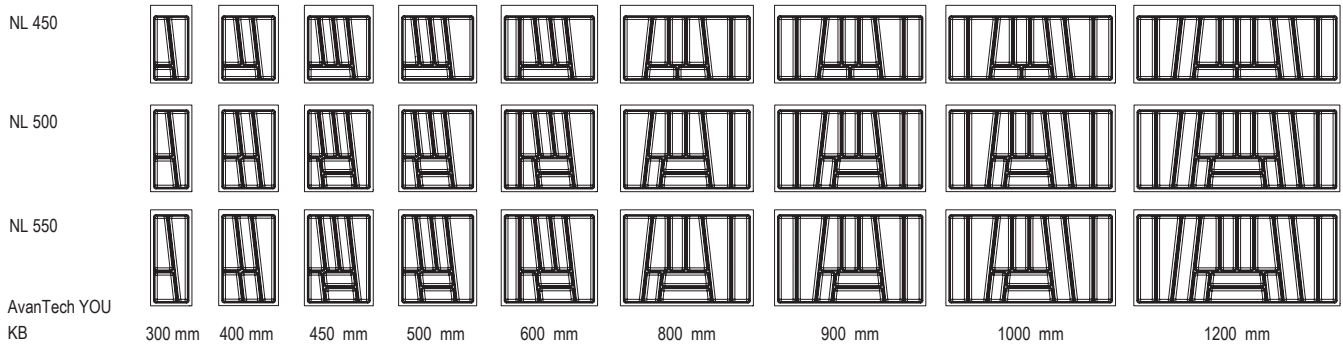
ORGATRAY 740 TREND II

- Plastic cutlery insert.
- Designed for use with AvanTech YOU drawer side panels of height 101 mm and 139 mm.
- For standard cabinet body widths.
- Optimised for cabinet body side in a thickness of 16 mm.
- Outside height 45 mm, compartments inside 43 mm.



04

ORGATRAY 740 for depths 450/500/550 mm



📘 NL = nominal length of drawer sides KB = cabinet body width

For 450 mm drawer depth

cabinet body width (mm)	white	anthracite	silver
300	457450	457449	457451
400	457453	457452	457454
450	457456	457455	457457
500	457459	457458	457460
600	457463	457462	457464
800	457466	457465	457467
900	457469	457468	457470
1000	457472	457471	457473
1200	457475	457474	457476

For 500 mm drawer depth

cabinet body width (mm)	white	anthracite	silver
300	457478	457477	457479
400	457481	457480	457482
450	457484	457483	457485
500	457487	457486	457488
600	457490	457489	457491
800	457502	457501	457503
900	457505	457504	457506
1000	457508	457507	457509
1200	457511	457510	457512

For 550 mm drawer depth

cabinet body width (mm)	white	anthracite	silver
300	457514	457513	457515
400	457517	457516	457518
450	457520	457519	457521
500	457523	457522	457524
600	457526	457525	457527
800	457529	457528	457530
900	457532	457531	457533
1000	457535	457534	457536
1200	457538	457537	457539

OrgaTray 470 drawers for AvanTech YOU and ArciTech



nominal length (mm)	white	anthracite	silver
500	301105	301107	301103
550	301106	301108	301104

OrgaTray 270 for InnoTech Atira



nominal length (mm)	anthracite	description
450	397910	150 × 43 × 423
470	503167	150 × 43 × 462
500	397911	150 × 43 × 473

Multifunctional insert



nominal length (mm)	anthracite	description
450	397912	150 × 43 × 423
470	503170	150 × 43 × 462
500	397913	150 × 43 × 473

Multifunctional container



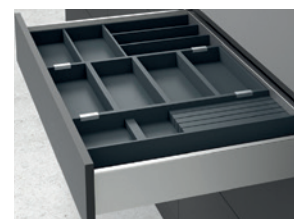
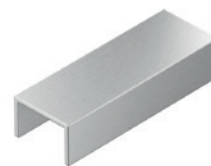
nominal length (mm)	anthracite	width × depth × height (mm)
450	409020	300 × 105,5 × 43
500	409021	300 × 118 × 43

Length supplement (partition)



nominal length (mm)	anthracite	dimensions (mm)
450	409022	526 × 100
500	409023	1126 × 100

Aluminium connecting element (partition)



anthracite	description
397916	combination of cutlery tray, multifunctional insert and container

Knife holder and multifunctional insert set



nominal length (mm)	anthracite	description
450	494851	150 × 43 × 423
470	503171	150 × 43 × 462
500	473876	150 × 43 × 473

Foil holder and multifunctional insert set



nominal length (mm)	anthracite	description
450	494865	150 × 43 × 423
470	503172	150 × 43 × 462
500	473879	150 × 43 × 473

Multifunctional insert



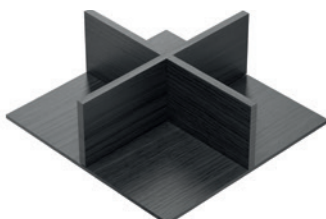
anthracite	description	dimensions (mm)
397940	box	231 × 237 × 110

Plate holder



anthracite	description	dimensions (mm)
397941	continuous adjustment according to the diameter of the plates	180 × 340 × 191

Box cross partition



anthracite	dimensions (mm)
503244	214 × 220 × 75

OrgaTray 630



nominal length (mm)	white	anthracite	silver
450	397926	397929	397923
500	397927	397930	397924
550	397928	397931	397925

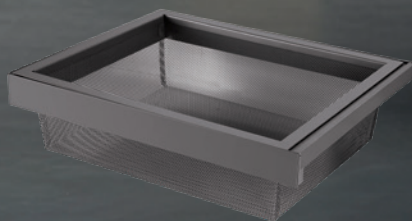
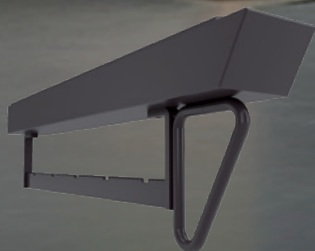
NO ITEM OF CLOTHING

CAN RESIST

THE IDEA OF BEING STORED IN A WARDROBE
FITTED WITH STRONGWIRE BASKETS AND HANGERS.

Dēmos

All for the furniture making



Download on the
App Store

GET IT ON
Google Play



The StrongWire wardrobe range can be found in the catalogue in chapter 05.

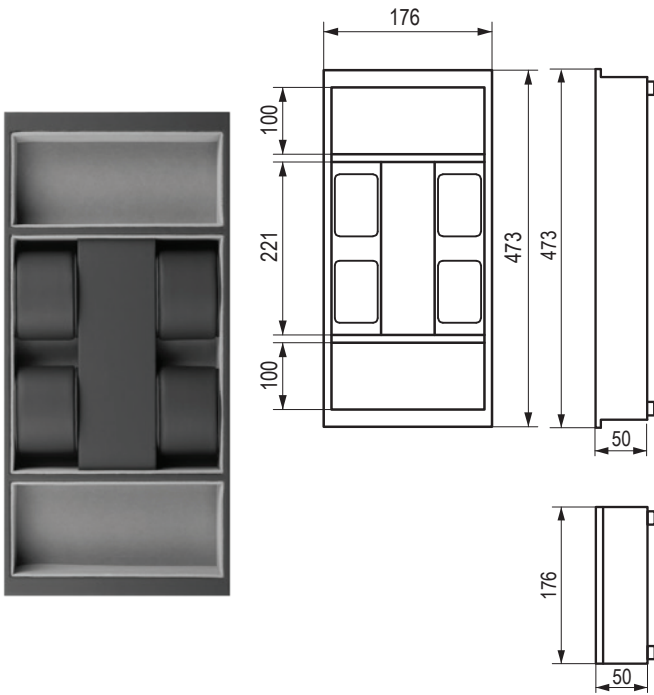
StrongWire products at
www.demos24plus.com



StrongIn wardrobe organisers – jewellery inserts

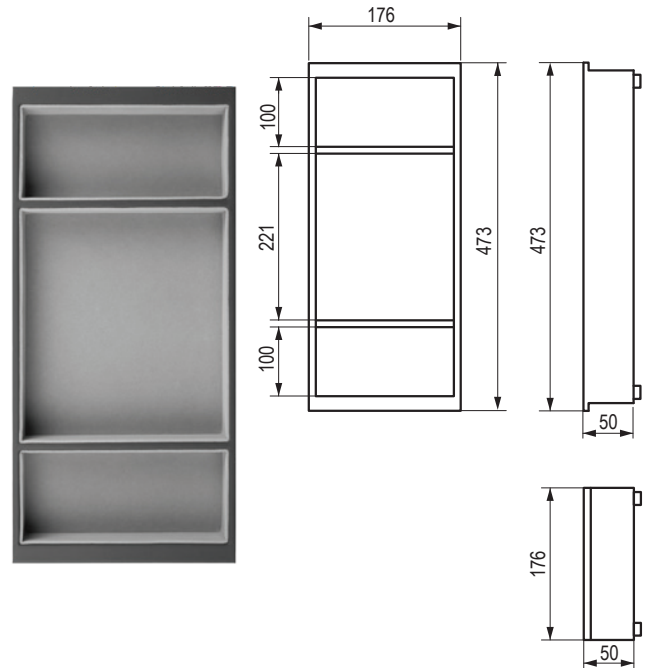
- StrongIn wardrobe organisers – jewellery inserts designed for StrongMax, StrongBox, Legrabox and Antaro drawer systems with slide length 500 mm.
- They fit perfectly into the drawer without any modifications.
- Plastic moulding lined with suede and faux leather – elegant appearance, soft surface, and protection for your accessories.
- Neat and stylish storage for jewellery, watches, and small accessories.

For jewellery and watches



code	description	dimensions (mm)
465974	for cabinet body depth 400 mm	176 × 50 × 373
465969	for cabinet body depth 500 mm	176 × 50 × 473

For jewellery – 3 compartments

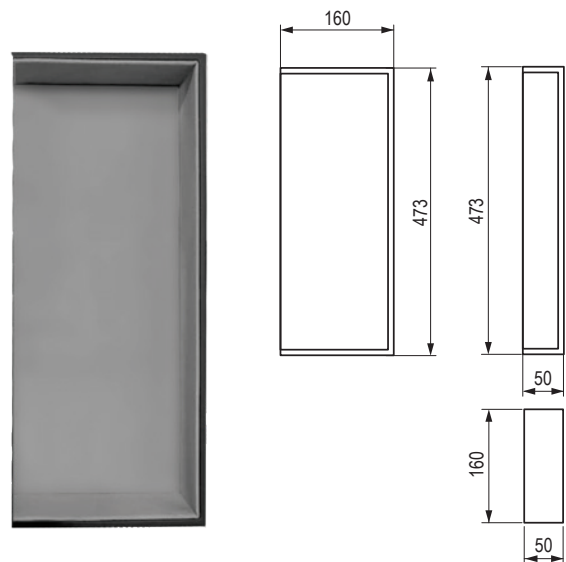


code	description	dimensions (mm)
465975	for cabinet body depth 400 mm	176 × 50 × 373
465970	for cabinet body depth 500 mm	176 × 50 × 473

Ending, reversible jewellery box part

code	description	dimensions (mm)
465978	for cabinet body depth 400 mm	160 × 50 × 373
465973	for cabinet body depth 500 mm	160 × 50 × 473

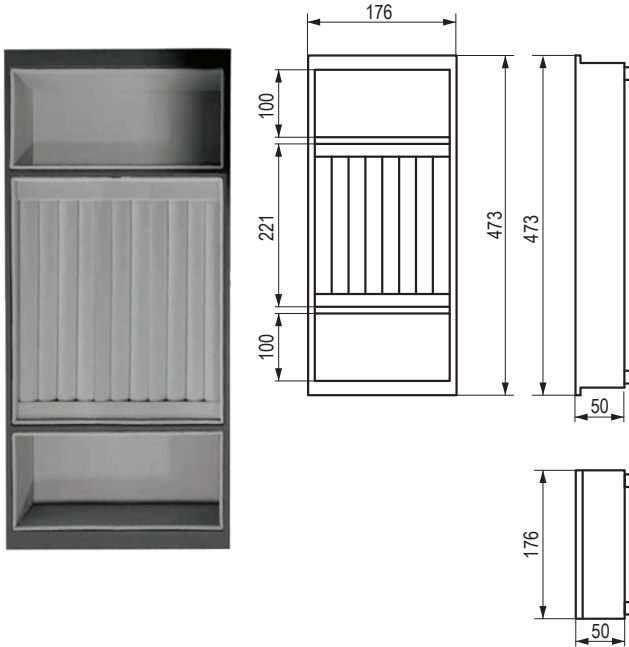
- fills the empty space on the edge of the drawer if you have any left after storing the organisers



StrongIn wardrobe organisers – jewellery inserts

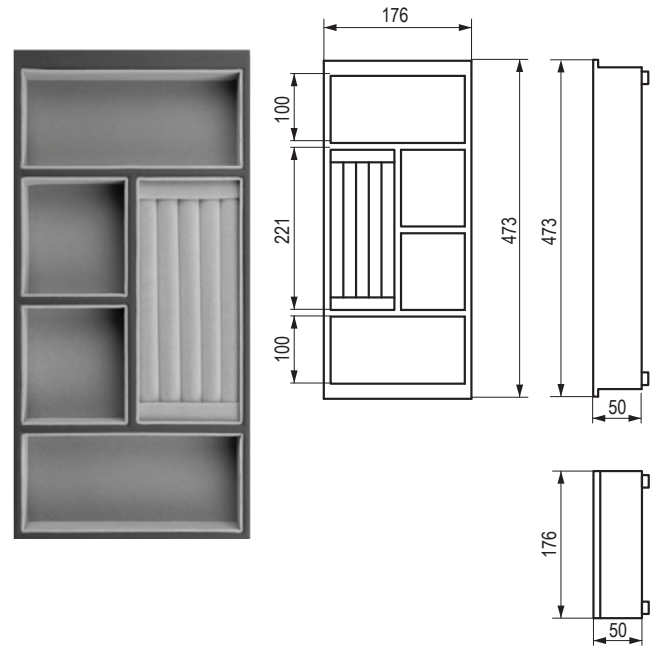


For jewellery and rings



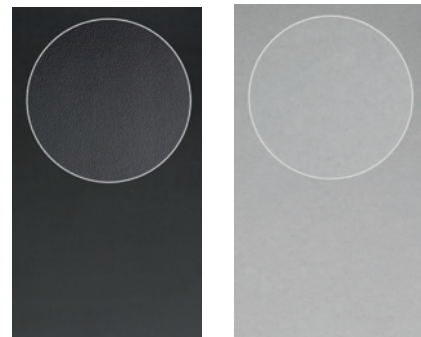
code	description	dimensions (mm)
465976	for cabinet body depth 400 mm	176 × 50 × 373
465971	for cabinet body depth 500 mm	176 × 50 × 473

For jewellery and rings – 4 compartments



code	description	dimensions (mm)
465977	for cabinet body depth 400 mm	176 × 50 × 373
465972	for cabinet body depth 500 mm	176 × 50 × 473

Drawer base mat



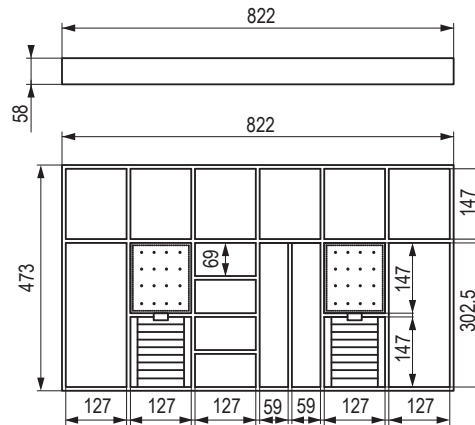
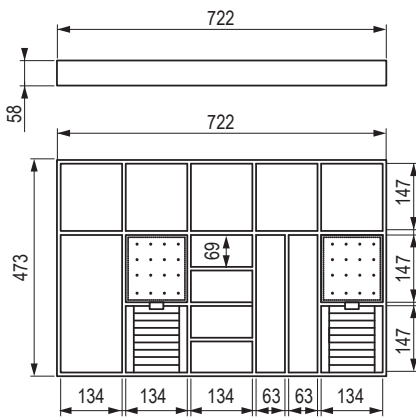
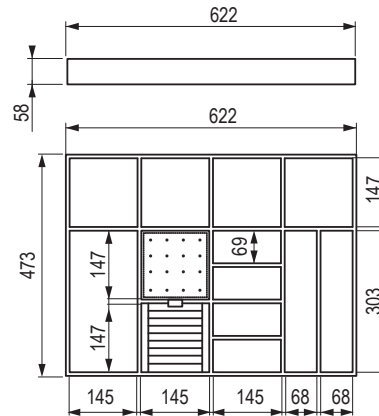
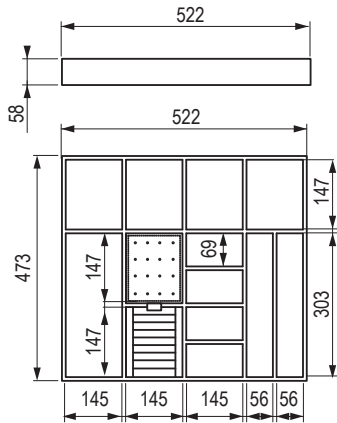
- imitation artificial leather and suede, which colour matches Strong jewellery boxes

code	description	mat dimensions (mm)
465983	STRONG mat made of PVC leather	1400 × 500
467245	STRONG pad in imitation suede leather	1200 × 500

- it can be used to supplement the free space in the drawer, together with our jewellery boxes

StrongIn wardrobe organisers – jewellery inserts

For jewellery



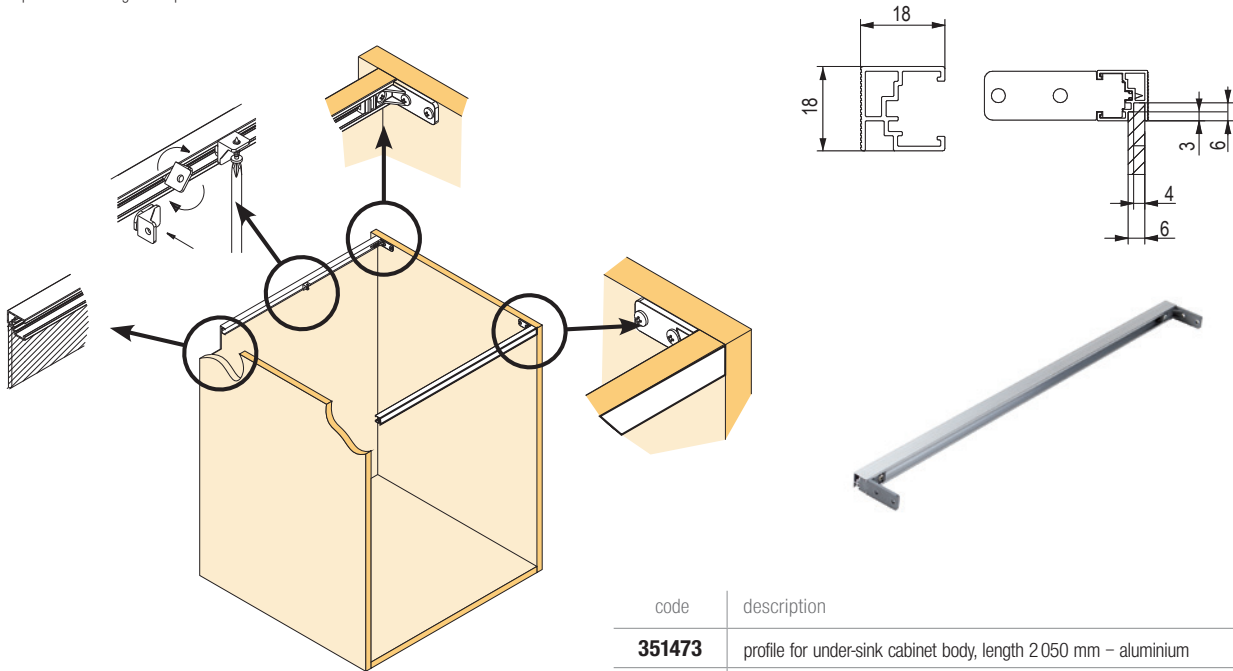
code	for drawer width (mm)	dimensions (mm)
465979	600	522 × 58 × 473
465980	700	622 × 58 × 473
465981	800	722 × 58 × 473
465982	900	822 × 58 × 473

- plastic moulding lined with artificial leather

accessories for bottom cabinets

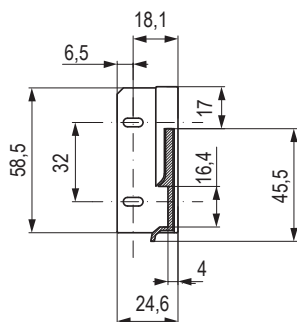
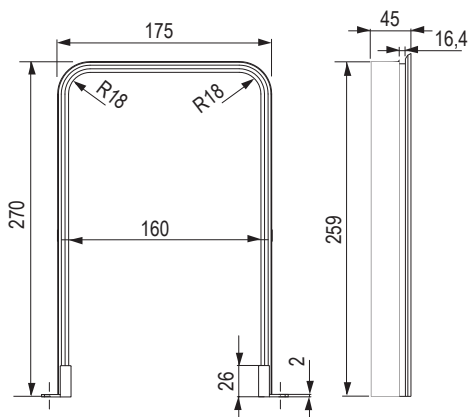
Aluminium ledge

- ensures high strength of the construction
- ideal for under-kitchen sink cabinet body
- simple installation
- option of inserting a rear panel – hardboard



code	description
351473	profile for under-sink cabinet body, length 2 050 mm – aluminium
351474	fixing set for aluminium profile for under-sink cabinet body 351473

Edging for cut-out for under-sink shelf (drawer)



code	colour
285210	white

- simple installation
- designed for a 16 mm board

bathroom organisers Gollinucci

For drawers with a depth of 270 mm



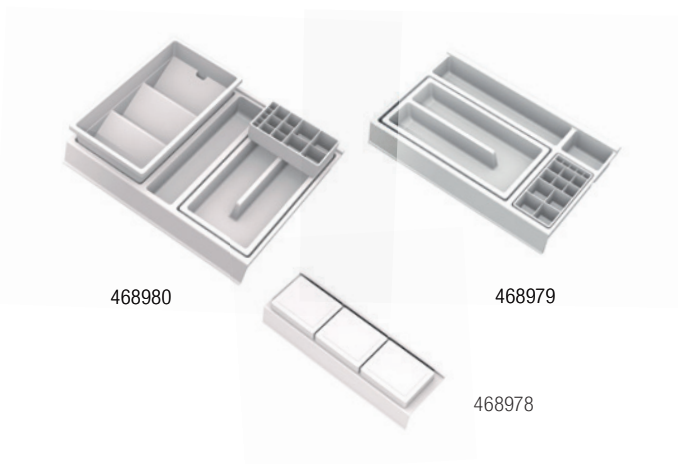
code	dimensions (mm)	colour
349375	308 × 242 × 53	anthracite
349376	122 × 242 × 69	
349377	241 × 242 × 53	
468919	308 × 242 × 53	white
468973	122 × 242 × 69	
468974	241 × 242 × 53	

For drawers with a depth of 350 mm



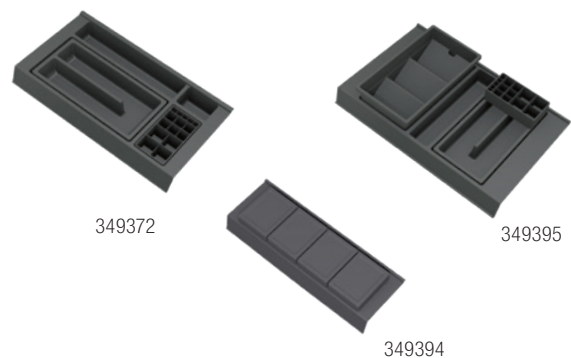
code	dimensions (mm)	colour
349397	308 × 322 × 90	anthracite
349398	146 × 322 × 69	
349399	241 × 322 × 85	
468977	308 × 322 × 90	white
468975	146 × 322 × 69	
468976	241 × 322 × 85	

For drawers with a depth of 400 mm



code	dimensions (mm)	colour
349373	122 × 372 × 69	anthracite
349374	308 × 372 × 90	
349396	241 × 372 × 53	
468978	122 × 372 × 69	white
468980	308 × 372 × 90	
468979	241 × 372 × 53	

For drawers with a depth of 450 mm



code	dimensions (mm)	colour
349372	241 × 422 × 53	anthracite
349394	146 × 422 × 69	
349395	308 × 422 × 90	
468982	241 × 422 × 53	white
468981	146 × 422 × 69	
468983	308 × 422 × 90	

bathroom accessories Gollinucci

Door drainer basket 5 l



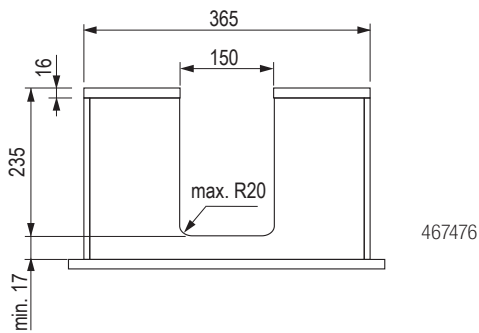
code	description	dimensions (mm)	colour
349406	with rotary lid	287 × 157 × 90	anthracite
468987			white

Box for paper handkerchiefs

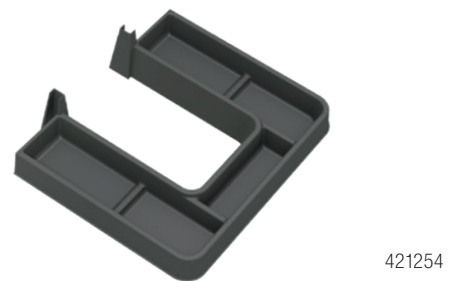
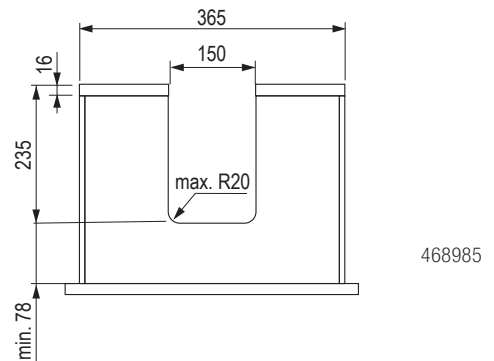


code	description	dimensions (mm)	colour
487611	plastic	174 × 176 × 229	anthracite
487610			white

Protective collar for siphon under the sink



code	description	depth (mm)	height (mm)	colour
467476	with compartments	270	38	anthracite
468986				white



code	description	depth (mm)	height (mm)	colour
421254	with compartments	350	38	anthracite
468985				white

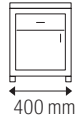
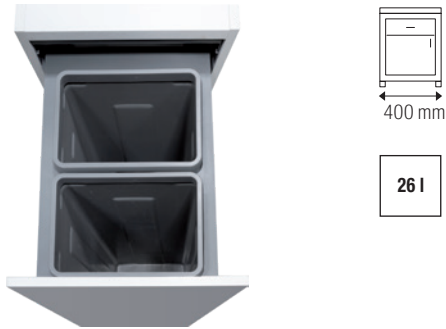


StrongBins sorters – pull-out

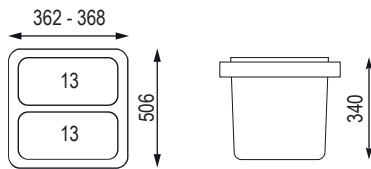
- StrongBins waste bins represent a practical waste sorting system with an emphasis on quality, functionality, and easy installation.
- A simple solution that replaces the standard pull-out drawer and is designed for base cabinets of width 400 and 600 mm.

- Enables sorting of up to 4 types of waste thanks to the arrangement of containers made from durable plastic.
- The packaging includes StrongBox slides with soft closing and a manual that serves as a drilling template for precise assembly.

For cabinet body width 400 mm

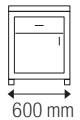


26 l

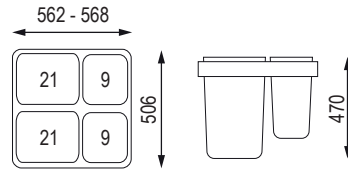


code	colour anthracite	capacity (l)
458724	sorter complete set 26 l	2 × 13

For cabinet body width 600 mm

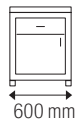
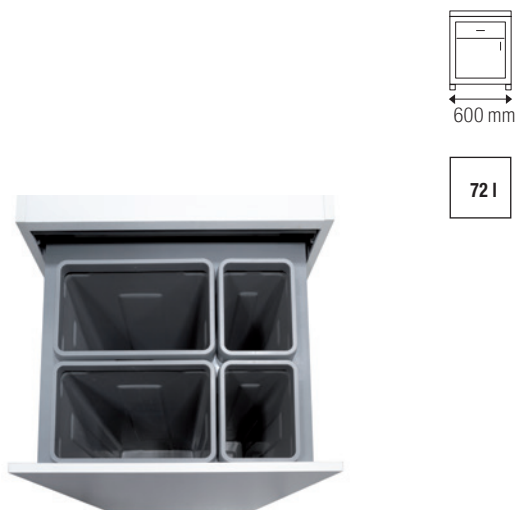


60 l

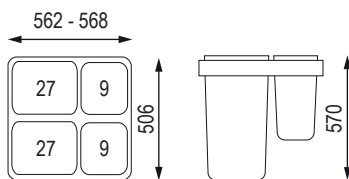


code	colour anthracite	capacity (l)
458722	sorter complete set 60 l	2 × 21 + 2 × 9

For cabinet body width 600 mm



72 l



code	colour anthracite	capacity (l)
458723	sorter complete set 72 l	2 × 27 + 2 × 9



Package contents:

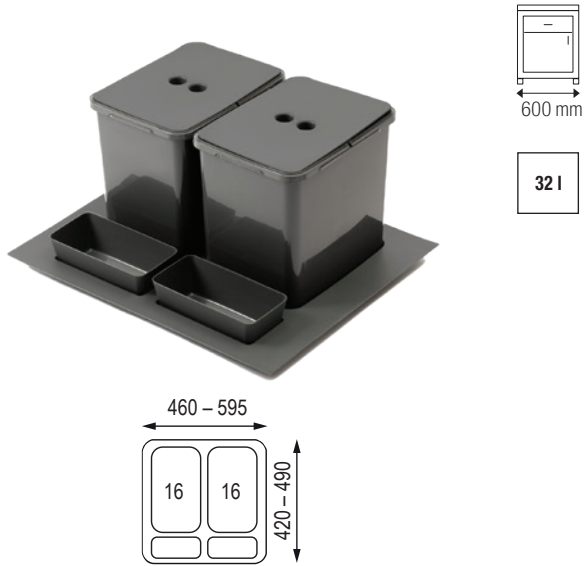
- manual, which also serves as a left/right marking template for drilling the slides
- StrongBox full extension slide design with soft closing
- metal sides and lid of the bin
- containers made of durable plastic

sorters for insertion into a drawer — StrongBins

- A simple and practical waste sorter solution designed for insertion into a drawer.
- Suitable for cabinet bodies of width 600 mm and 800–900 mm.
- Made from durable polypropylene – a material with high thermal and mechanical resistance.

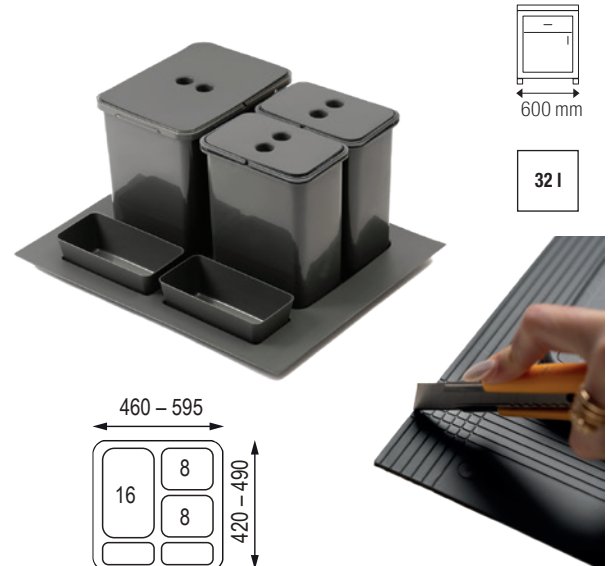
- The perforated base allows easy trimming to size; the modular base can be shortened by up to 5 cm.
- The lid protects the contents from odours and dirt.

For cabinet body width 600 mm



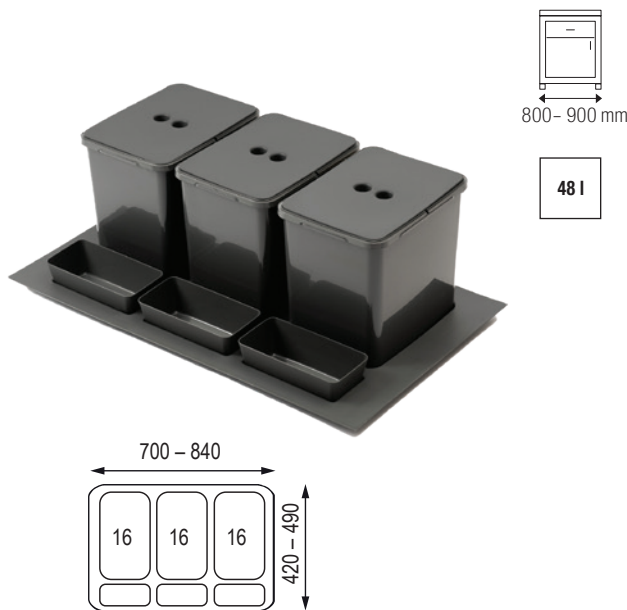
code	colour	description	capacity (l)	height (mm)
526009	anthracite	set of containers with lid, bowls, and base	2× 16	300

For cabinet body width 600 mm



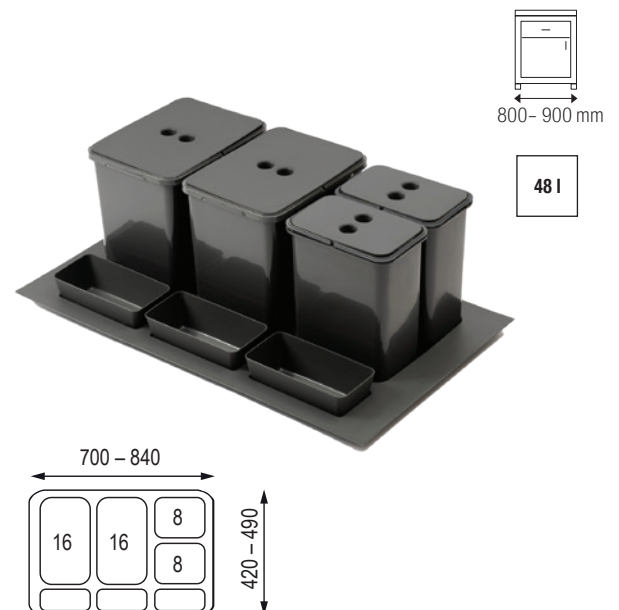
code	colour	description	capacity (l)	height (mm)
526010	anthracite	set of containers with lid, bowls, and base	2× 16 + 2× 8	300

For cabinet body width 800 mm



code	colour	description	capacity (l)	height (mm)
526011	anthracite	set of containers with lid, bowls, and base	3× 16	300

For cabinet body width 800 mm



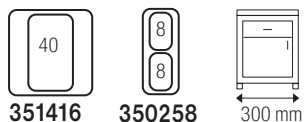
code	colour	description	capacity (l)	height (mm)
526012	anthracite	set of containers with lid, bowls, and base	2× 16 + 2× 8	300

Linea 580 plus sorters

Package contents:

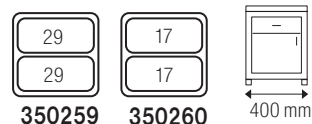
- construction with slides
- containers made of durable plastic
- bin lids (depends on the model)
- the set of bins already includes a slide – full extension slides with soft closing
- for side thickness 16–19 mm
- depth of the sorters is 458 mm

For cabinet body width 300 mm



code	colour	description	capacity (l)	total height (mm)
351416	anthracite	PL30C	1× 40	506
350258		PL30B	2× 8	304

For cabinet body width 400 mm



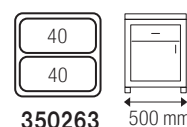
code	colour	description	capacity (l)	total height (mm)
350259	anthracite	PL40A	2× 29	463
350260		PL40B	2× 17	304

For cabinet body width 450 mm



code	colour	description	capacity (l)	total height (mm)
350261	anthracite	PL45A	2× 29	463
350262		PL45B	2× 17	304

For cabinet body width 500 mm



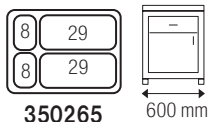
code	colour	description	capacity (l)	total height (mm)
350263	anthracite	PL50C	2× 40	505

Linea 580 plus sorters

Package contents:

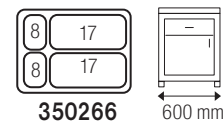
- construction with slides
- containers made of durable plastic
- bin lids (depends on the model)
- the set of bins already includes a slide – full extension slides with soft closing
- for side thickness 16–19 mm
- depth of the sorters is 458 mm

For cabinet body width 600 mm



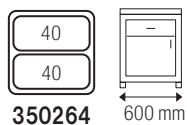
code	colour	description	capacity (l)	total height (mm)
350265	anthracite	60A	2× 29 + 2× 8	463

For cabinet body width 600 mm



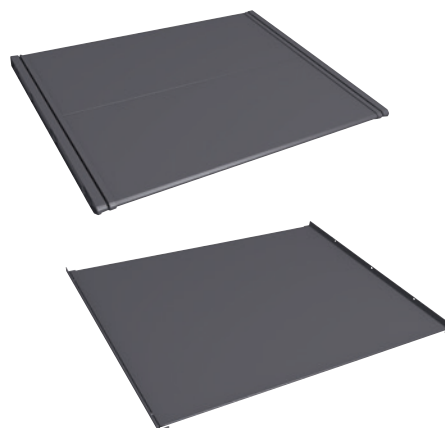
code	colour	description	capacity (l)	total height (mm)
350266	anthracite	60B	2× 17 + 2× 8	304

For cabinet body width 600 mm



code	colour	description	capacity (l)	total height (mm)
350264	anthracite	60C	2× 40	505

Fixed shelf above sorter Linea 580 plus (optional accessory)



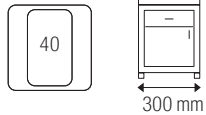
width (mm)	code	width (mm)	code
300	350268	500	350274
400	350270	600	350276
450	350272		

Linea 580 EVO sorters

Package contents:

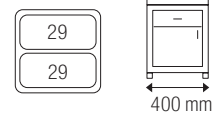
- construction with full extension slides with soft-closing
- containers made of durable plastic
- metal sides and shelves above the basket
- depth of the sorters is 502 mm

For cabinet body width 300 mm



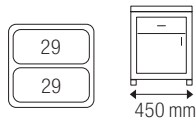
code	colour	description	capacity (l)	total height (mm)
403176	anthracite	580EVO 30C	40	529

For cabinet body width 400 mm



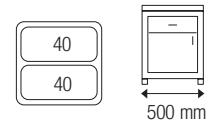
code	colour	description	capacity (l)	total height (mm)
403177	anthracite	580EVO 40A	2× 29	485

For cabinet body width 450 mm



code	colour	description	capacity (l)	total height (mm)
403178	anthracite	580EVO 45A	2× 29	485

For cabinet body width 500 mm



code	colour	description	capacity (l)	total height (mm)
403179	anthracite	580EVO 50C	2× 40	529

Linea 580 EVO sorters

Package contents:

- construction with full extension slides with soft-closing
- containers made of durable plastic
- metal sides and shelves above the basket
- depth of the sorters is 502 mm

For cabinet body width 600 mm



code	colour	description	capacity (l)	total height (mm)
403180	anthracite	580EVO 60A	2× 8 + 2× 29	485

For cabinet body width 600 mm



code	colour	description	capacity (l)	total height (mm)
403181	anthracite	580EVO 60C	2× 40	529

Linea 580 EVO Compact Line sorters

Compact Line shallow baskets:

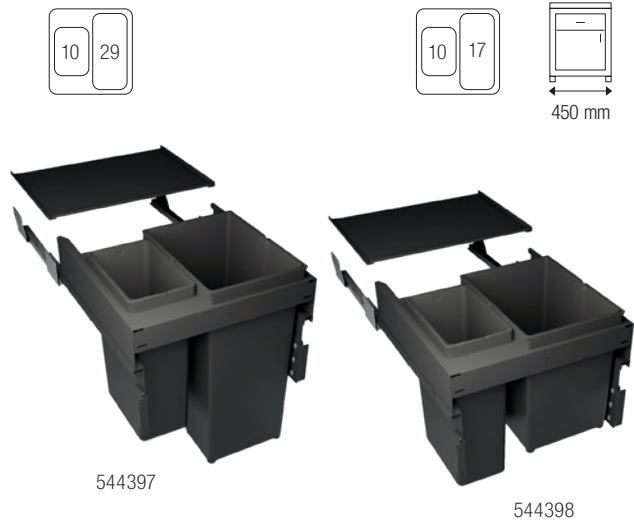
- Ideal solution for smaller kitchen cabinets with reduced depth.

Package contents:

- full extension slides with soft closing

- metal sides and shelves above the basket
- Total capacity up to 58 litres.
- Three heights available: H485, H392, and H320 mm.

For cabinet body width 450 mm



code	colour	capacity (l)	depth (mm)	total height (mm)
544397	anthracite	10 + 29	320	485
544398		10 + 17		392

For cabinet body width 500 mm



code	colour	capacity (l)	depth (mm)	total height (mm)
544399	anthracite	11 + 17	314	320
544400		11 + 29		485

For cabinet body width 600 mm



code	colour	capacity (l)	depth (mm)	total height (mm)
544401	anthracite	2× 17	314	320
544402		2× 29		485

Concept 560 sorters

Recommended slides

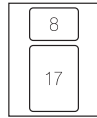
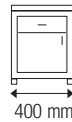
type of slide	StrongBox			Blum Antaro M ¹⁾		Hettich InnoTech Atira		
slide depth / colour	white	grey	titanium	white ²⁾	grey ²⁾	white	silver	anthracite
450 mm	179256	146756	400301	206033 / 254422²⁾	206034 / 254420²⁾	341600	288762	341615
500 mm	179257	146757	400302	132923 / 254428²⁾	206031 / 254426²⁾	348775	348779	348777

- For drawers with a depth of 450 mm, the rear container can only be removed after pulling out the front container.
- Slides are not included in the packaging.
- ☑ separate sorter shelf on p. 04.67

¹⁾ BLUM – the slide is always with soft closing, load capacity: 30 kg. It is necessary to complete with front fitting (2× 12687).

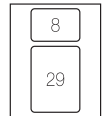
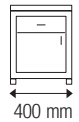
²⁾ This is a completion card.

For cabinet body width 400 mm



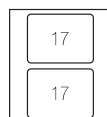
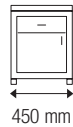
code	colour	capacity (l)	total height (mm)
231106	grey	8 + 17	298
501456	anthracite		

For cabinet body width 400 mm



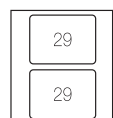
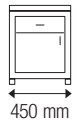
code	colour	capacity (l)	total height (mm)
231105	grey	8 + 29	463
501455	anthracite		

For cabinet body width 450 mm



code	colour	capacity (l)	total height (mm)
231108	grey	2× 17	298
501459	anthracite		

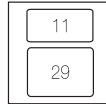
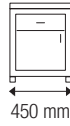
For cabinet body width 450 mm



code	colour	capacity (l)	total height (mm)
231107	grey	2× 29	463
501458	anthracite		

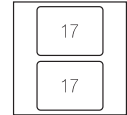
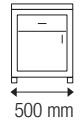
Concept 560 sorters

For cabinet body width 450 mm



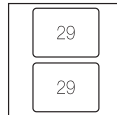
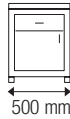
code	colour	capacity (l)	total height (mm)
231114	grey	11 + 29	463
501457	anthracite		

For cabinet body width 500 mm



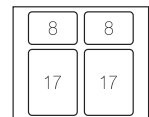
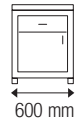
code	colour	capacity (l)	total height (mm)
231110	grey	2 × 17	298
501461	anthracite		

For cabinet body width 500 mm



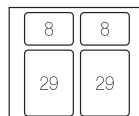
code	colour	capacity (l)	total height (mm)
231109	grey	2 × 29	463
501460	anthracite		

For cabinet body width 600 mm



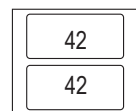
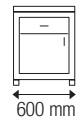
code	colour	capacity (l)	total height (mm)
231112	grey	2 × 8 + 2 × 17	298
501464	anthracite		

For cabinet body width 600 mm



code	colour	capacity (l)	total height (mm)
231111	grey	2 × 8 + 2 × 29	453
501463	anthracite		

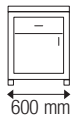
For cabinet body width 600 mm



code	colour	capacity (l)	total height (mm)
231113	grey	2 × 42	506
501462	anthracite		

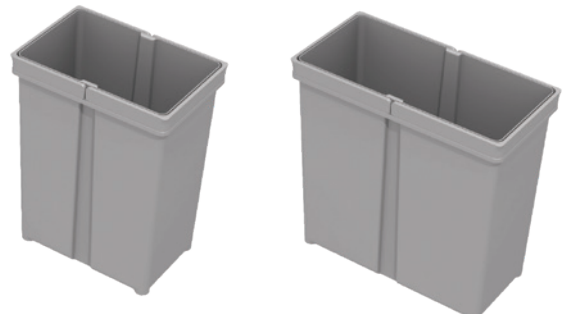
Concept 560 sorters

For 600 mm cabinet body



code	colour	capacity (l)	total height (mm)
231115	grey	2× 29	463
501462	anthracite		

Spare containers



code	width (mm)	depth (mm)	height (mm)	capacity (l)
231116	225	152	295	8
231117	304	152	295	11
231118	304	225	295	17
231119	304	225	460	29
231239	416	221	504	42

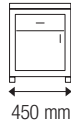
Fixed shelf (optional accessory)



code	for cabinet width (mm)
231124	400
231125	450
231126	500
231127	600

Linea 500 sorters

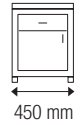
For cabinet body width 450 mm



- the rear waste bin includes a dividing partition for dividing the bin into two parts

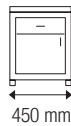
code	description	capacity (l)	width (mm)	depth (mm)	height (mm)
231134	stainless steel surface	2× 21	343	475	433

For cabinet body width 450 mm



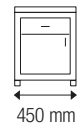
code	description	capacity (l)	width (mm)	depth (mm)	height (mm)
231135	stainless steel surface	2× 16	343	475	372

For cabinet body width 450 mm



code	description	capacity (l)	width (mm)	depth (mm)	height (mm)
231136	stainless steel surface	16 + 2× 7,5	343	475	372

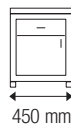
For cabinet body width 450 mm



- the rear waste bin includes a dividing partition for dividing the bin into two parts

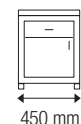
code	description	capacity (l)	width (mm)	depth (mm)	height (mm)
231137	plastic	2× 21	343	475	433

For cabinet body width 450 mm



code	description	capacity (l)	width (mm)	depth (mm)	height (mm)
231138	plastic	2× 16	343	475	372

For cabinet body width 450 mm



code	description	capacity (l)	width (mm)	depth (mm)	height (mm)
231139	plastic	16 + 2× 7,5	343	475	372

Linea 200 sorters

- Ideal solution for small spaces.
- Compact dimensions, large capacity (up to 42 l).

- Quick installation under any type of sink.

For cabinet body width 500 mm



544403



544406

code	colour	capacity (l)	width (mm)	depth (mm)	height total (mm)
544403	grey	2× 15	448	329	354
544404	anthracite				
544405	grey	15 + 2× 7,5			
544406	anthracite	15 + 2× 7,5			

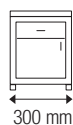
For cabinet body width 300 mm



- we recommend leaving a minimum of 40 mm of space above the basket for easier handling

code	colour	capacity (l)	width (mm)	depth (mm)	height (mm)
231141	grey	30	255	450	400
501449	anthracite				

For cabinet body width 300 mm



- we recommend leaving a minimum of 40 mm of space above the basket for easier handling

code	colour	capacity (l)	width (mm)	depth (mm)	height (mm)
231140	grey	40	255	450	537
501454	anthracite				

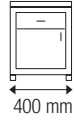
For cabinet body width 400 mm



code	colour	capacity (l)	width (mm)	depth (mm)	height (mm)
231142	grey	2× 21	343	473	400
501451	anthracite				

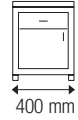
Linea 200 sorters

For cabinet body width 400 mm



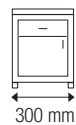
code	colour	capacity (l)	width (mm)	depth (mm)	height (mm)
231144	grey	16 +2× 7,5	343	473	399
501453	anthracite				

For cabinet body width 400 mm



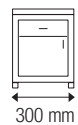
code	colour	capacity (l)	width (mm)	depth (mm)	height (mm)
231143	grey	2× 16	343	473	339
501452	anthracite				

For cabinet body width 300 mm



code	colour	capacity (l)	width (mm)	depth (mm)	height (mm)
231145	grey	2× 14	255	450	400
501446	anthracite				

For cabinet body width 300 mm

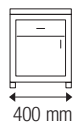


- with a preparation for positioning the front door
- including fittings for fixing the front door

code	colour	capacity (l)	width (mm)	depth (mm)	height (mm)
318418	grey	2× 14	255	450	400
501445	anthracite				

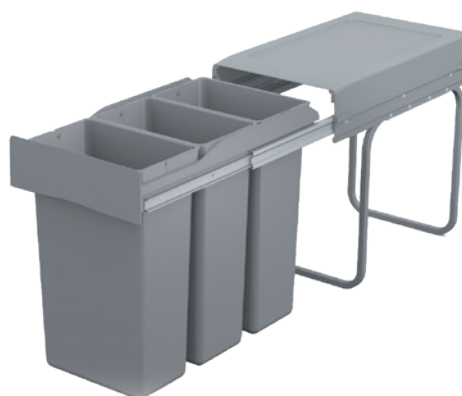
Linea 200 sorters

For cabinet body width 400 mm



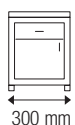
code	colour	capacity (l)	width (mm)	depth (mm)	height (mm)
501391	anthracite	2× 29	343	474	505

For cabinet body width 300 mm



code	colour	capacity (l)	width (mm)	depth (mm)	height (mm)
350257	grey	3× 10	255	450	400
501447	anthracite				

For cabinet body width 300 mm

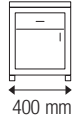


- with a preparation for positioning the front door
- including fittings for fixing the front door
- for easy pull-out of the bin, leave a minimum of 40 mm space above the bin

code	colour	capacity (l)	width (mm)	depth (mm)	height (mm)
289652	grey	30	255	450	400
501448	anthracite				

Linea 200 sorters

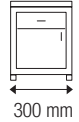
For cabinet body width 400 mm



- with a preparation for positioning the front door
- including fittings for fixing the front door

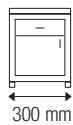
code	colour	capacity (l)	width (mm)	depth (mm)	height (mm)
289654	grey	2× 21	343	473	400
501450	anthracite				

For cabinet body width 300 mm



code	colour	capacity (l)	width (mm)	depth (mm)	height (mm)
231146	grey	2× 14	255	450	398

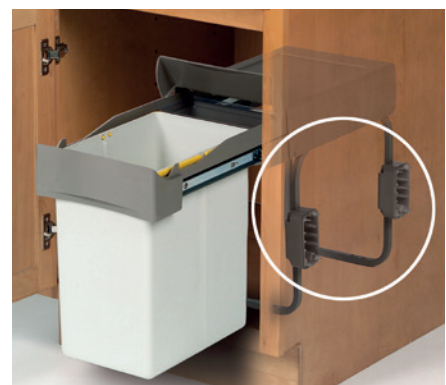
For cabinet body width 300 mm



- type with partial ball bearing slides

code	colour	capacity (l)	width (mm)	depth (mm)	height (mm)
231147	grey	21	255	450	398

Front panel to the cabinet body side

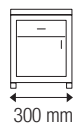


- serves as an adapter for fixing the frame of Linea 222 sorter series to cabinet body side (reinforcement)

code	description
231148	only for sorters into cabinet body with a width of 300 mm

Linea 200 waste bins

For cabinet body width 300 mm



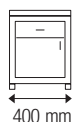
code	description	capacity (l)	width (mm)	depth (mm)	height (mm)
231150	plastic surface	16	230	380	360
231149	stainless steel surface		230	380	360

For cabinet body width 500 mm



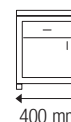
code	description	capacity (l)	width (mm)	depth (mm)	height (mm)
231151	plastic surface	16	230	353	333
231152	stainless steel surface		230	353	333

For cabinet body width 400 mm



code	description	capacity (l)	width (mm)	depth (mm)	height (mm)
231154	plastic surface, grey	13	277	277	355
231155	plastic surface, white		277	277	355

For cabinet body width 400 mm



code	description	capacity (l)	width (mm)	depth (mm)	height (mm)
231153	stainless steel surface	13	277	277	355

Sistema 9XL sorters for insertion into a drawer

Recommended slides with a side

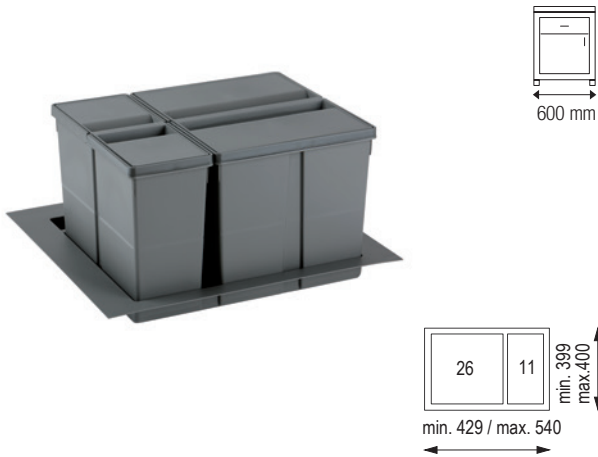
sorter type / slide type	Blum ANTARO D		Blum LEGRABOX C		Hettich InnoTech Atira			StrongBox	
	white	grey	white	grey	white	silver	anthracite	white	grey
slide depth / colour									
500 mm	206045	206044	255238 ¹⁾	255234 ¹⁾	348776	348780	348778	179271	146773

- can also be used for wooden drawers
 - it is recommended to use a higher side
- ¹⁾ this is a completion card

- Package contents:
- Plastic base for basket lids

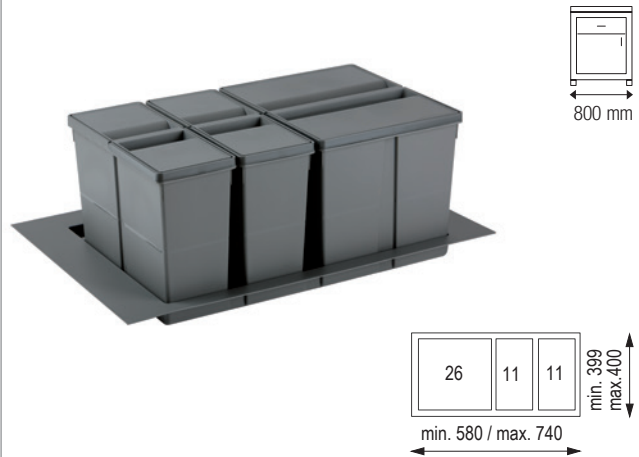
 dimensions for internal drawer width for slides with side panel on p. 04.4

For cabinet body width 600 mm



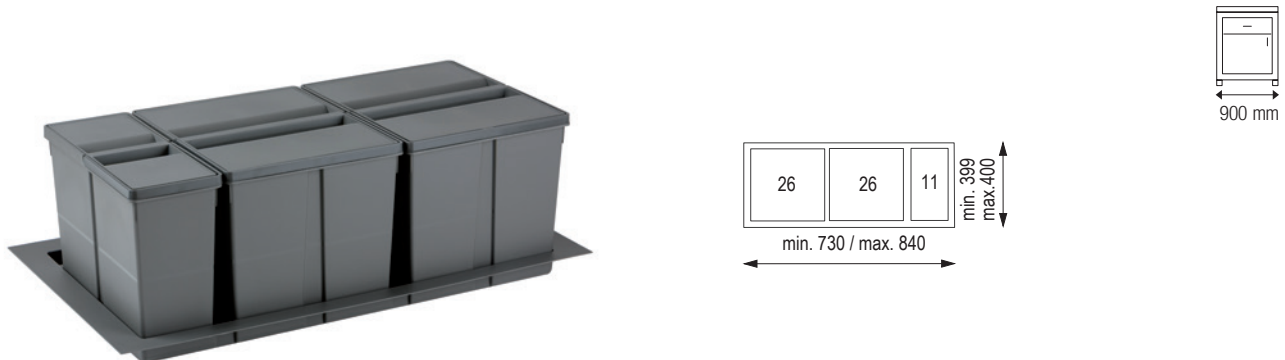
code	capacity (l)	height (mm)
350297	26 + 11	277

For cabinet body width 800 mm



code	capacity (l)	height (mm)
350298	26 + 2× 11	277

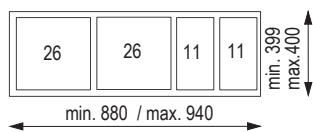
For cabinet body width 900 mm



code	capacity (l)	height (mm)
350299	2× 26 + 11	277

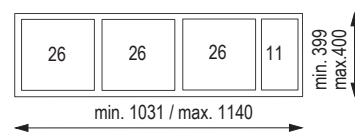
Sistema 9XL sorters for insertion into a drawer

For cabinet body width 1000 mm



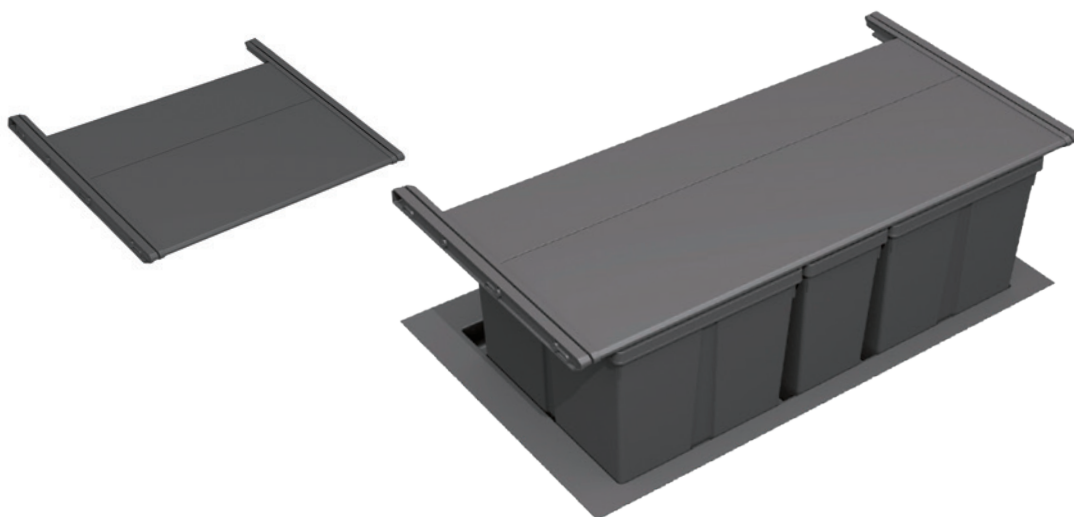
code	capacity (l)	height (mm)
350300	2× 26 + 2× 11	277

For cabinet body width 1200 mm



code	capacity (l)	height (mm)
350301	3× 26 + 11	277

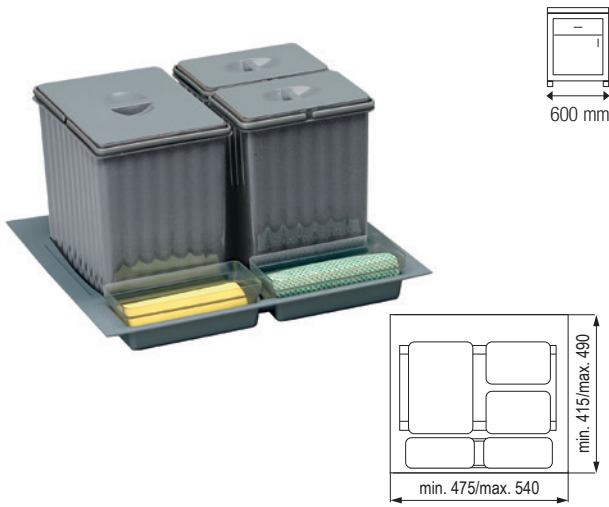
Fixed plastic shelf (optional accessory)



code	for width (mm)
350302	600
350303	800
350304	900
350305	1000
350306	1200

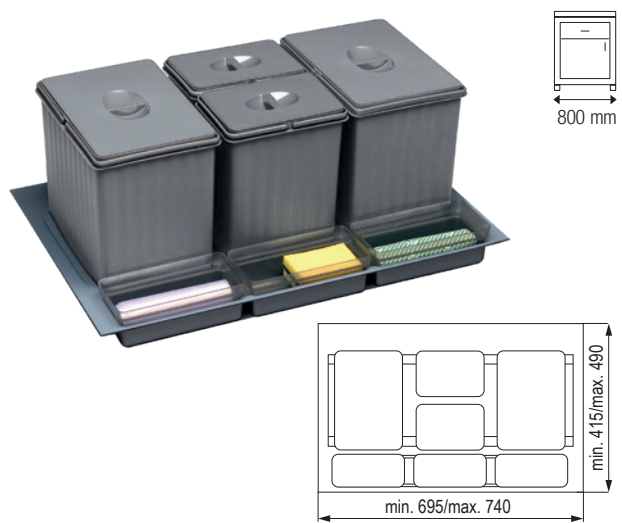
Sistema sorters for insertion into a drawer

For cabinet body width 600 mm



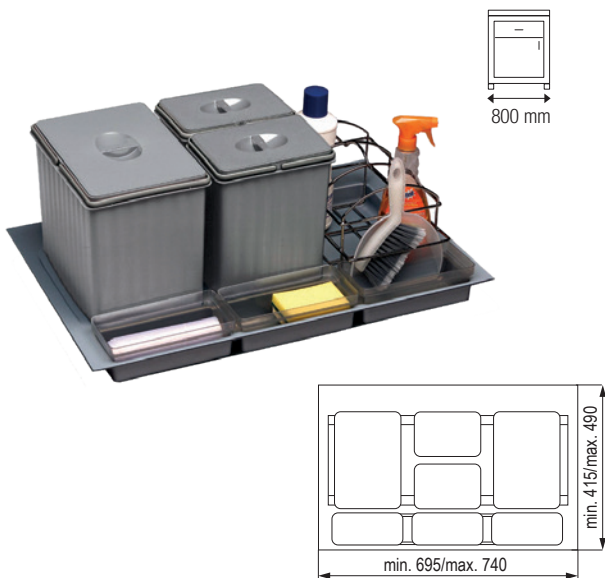
code	description	sorter height (mm)	capacity (l)
231190	set of containers with lid, bowls and base	300	2× 16
231188			16 + 2× 7,5
231191		250	2× 14
231189	14 + 2× 6,5		

For cabinet body width 800 mm



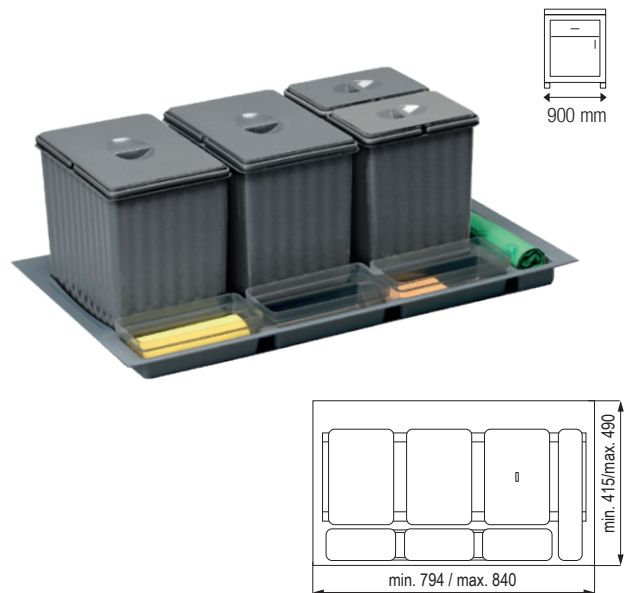
code	description	sorter height (mm)	capacity (l)
231182	set of containers with lid, bowls and base	300	3× 16
231180			2× 16 + 2× 7,5
231183		250	3× 14
231181			2× 14 + 2× 6,5

For cabinet body width 800 mm



code	description	sorter height (mm)	capacity (l)
231186	set of containers with lid, bowls and base	300	2× 16
231184			16 + 2× 7,5

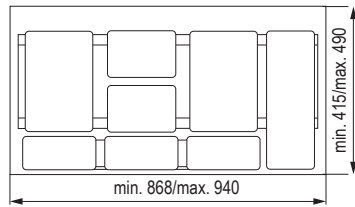
For cabinet body width 900 mm



code	description	sorter height (mm)	capacity (l)
231174	set of containers with lid, bowls and base	300	3× 16
231172			2× 16 + 2× 7,5
231175		250	3× 14
231173			2× 14 + 2× 6,5

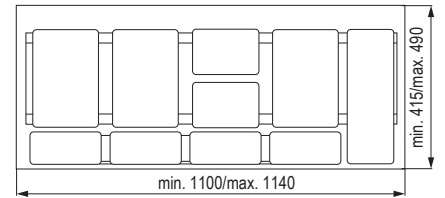
Sistema sorters for insertion into a drawer

For cabinet body width 1000 mm



code	description	sorter height (mm)	capacity (l)
231169	set of containers with lid, bowls and base	300	2 × 16 + 2 × 7,5
231170		250	2 × 14 + 2 × 6,5

For cabinet body width 1200 mm



code	description	sorter height (mm)	capacity (l)
231165	set of containers with lid, bowls and base	300	3 × 16 + 2 × 7,5
231166		250	3 × 14 + 2 × 6,5

Automatically opening lid (optional)



- total height including lid is higher by 20 mm
- supplied with suspension rod and fittings for mounting into cabinet
- not compatible with Sistema 9XL sorters

code	number of lids	for cabinet (mm)
231196	2	600
231197	3	800
231198	2	
231199	3	900

Spare containers



- lid is not included with the containers

code	width (mm)	length (mm)	height (mm)	capacity (l)
231194	222	155	247	6,5
231192	222	155	297	7,5
231195	310	222	247	14
231193	310	222	297	16

bathroom laundry baskets

Pull-out laundry baskets

- it is installed in a cabinet depth of only 307 or 222 mm
- easy access to the collector
- easy collector handling, simple pulling out of the cabinet body
- durable plastic collector and a practical bottom-up attachment

Package contents:

- plastic collector
- metal collector holder

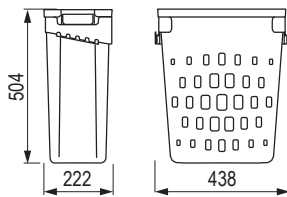
Installation:

- a metal clip is installed on the door
- the entire door is secured to the base of the cabinet with the DUO lifting system

- hinge and lift fittings are not included
- recommended items can be found in the related range on the website
- recommended lift-up - Duo 135017
- ☑ opening restrictor lower flap 15620, see p. 02.9



For cabinet body width 500 mm

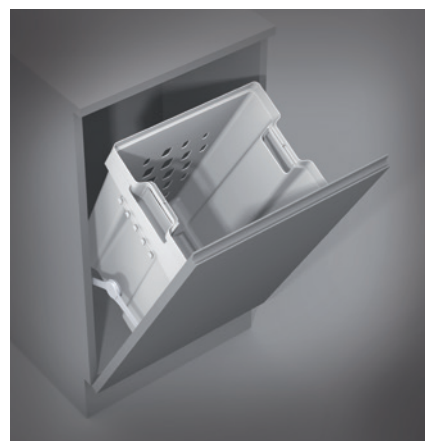
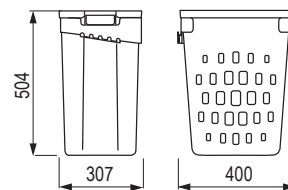


code	capacity (l)	depth (mm)	colour
350310	40	222	white

12345 Item in stock

12345 Item on demand

For cabinet body width 500 mm



code	capacity (l)	depth (mm)	colour
350308	50	307	white

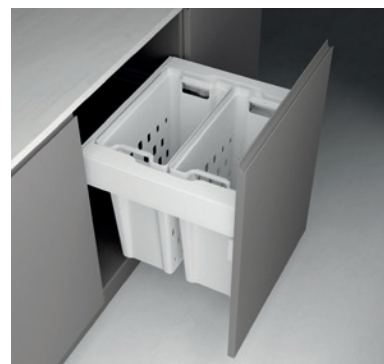
04.78

bathroom laundry baskets

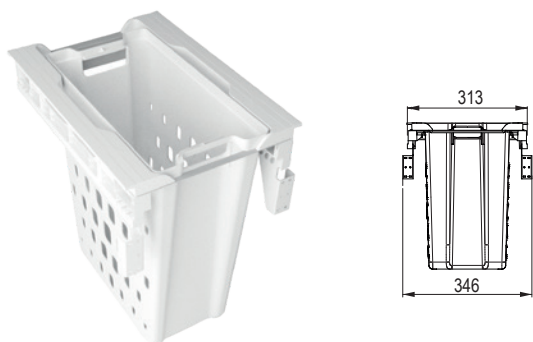
Pull-out laundry baskets

Compatible with Blum Merivobox slides

- slides are not included with the basket
- suitable for cabinet bodies with side walls of thickness 16–19 mm
- metal frame with plastic sides
- baskets are fitted with side handles for easy gripping



For cabinet body width 400 mm



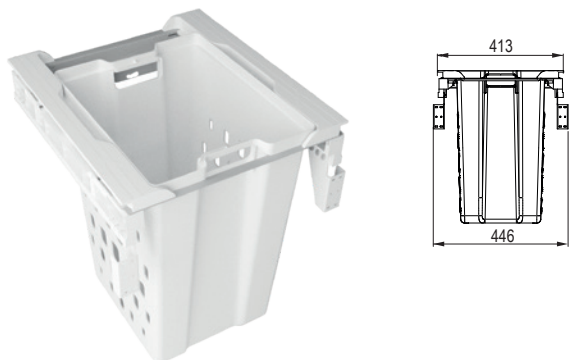
code	height (mm)	capacity (l)	depth (mm)	colour
544717	504	40	474	white

For cabinet body width 450 mm



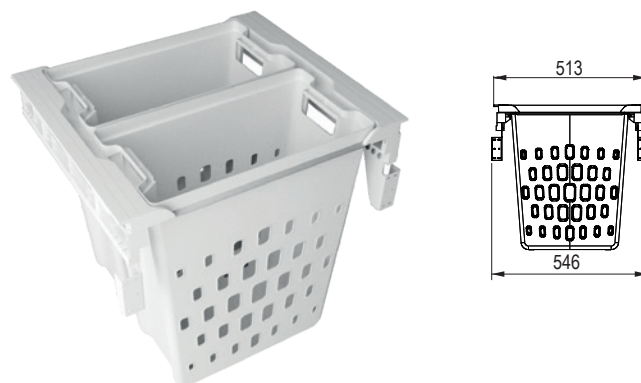
code	height (mm)	capacity (l)	depth (mm)	colour
544716	504	50	474	white

For cabinet body width 500 mm



code	height (mm)	capacity (l)	depth (mm)	colour
544715	504	50	474	white

For cabinet body width 600 mm



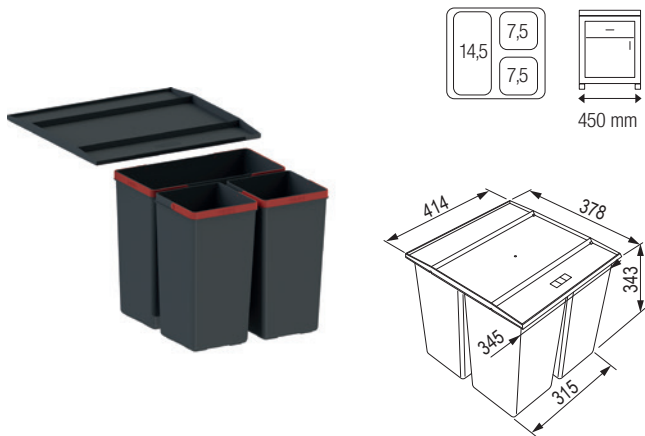
code	height (mm)	capacity (l)	depth (mm)	colour
544714	504	2× 40	474	white

Recommended slides

sorter type / slide type	Blum ANTARO D		Blum LEGRABOX C		Hettich InnoTech Atira			StrongBox	
slide depth / colour	white	grey	white	grey	white	silver	anthracite	white	grey
500 mm	206045	206044	255238	255234	348776	348780	348778	179271	146773

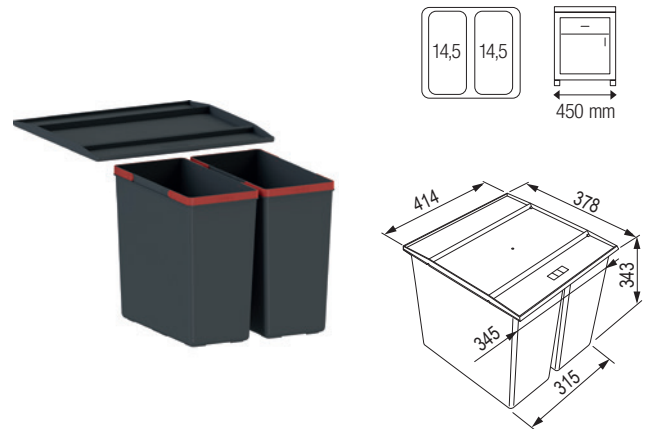
- can also be used for wooden drawers
 - sorters can be used up to a depth of 450 mm
- Recommended slides:
- fixed shelf is included in the packaging

For cabinet body width 450 mm



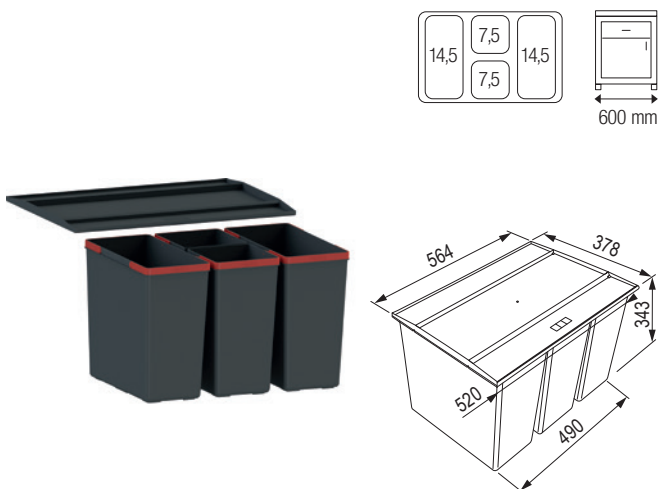
code	colour	capacity (l)	height (mm)
342959	black	14,5 + 2× 7,5	343

For cabinet body width 450 mm



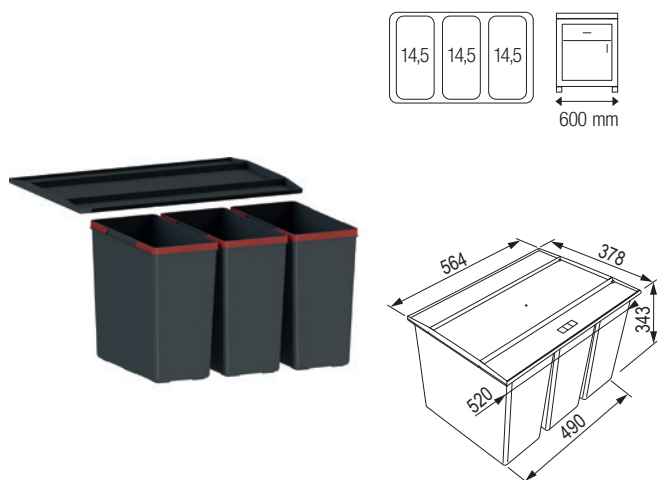
code	colour	capacity (l)	height (mm)
342961	black	2× 14,5	343

For cabinet body width 600 mm



code	colour	capacity (l)	height (mm)
342963	black	14,5 + 2× 7,5 + 14,5	343

For cabinet body width 600 mm



code	colour	capacity (l)	height (mm)
342962	black	3×14,5	343

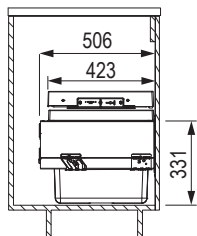
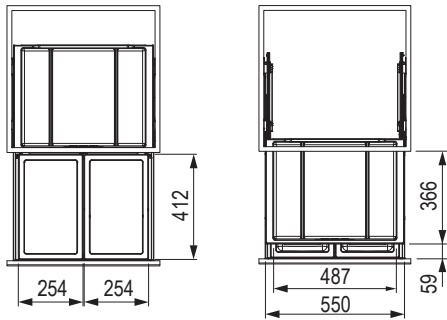


FX sorters



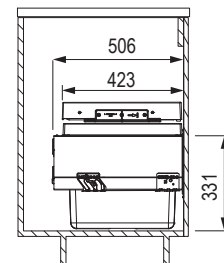
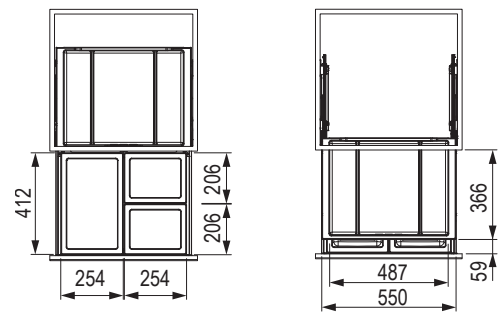
- min. mounting cut-out: 564 × 506 × 448 mm
- the pull-out drawer above the basket and full extension slide with soft closing are included in the packaging

For cabinet body width 600 mm



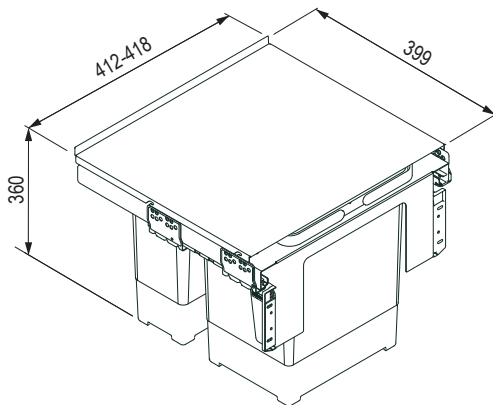
code	colour	capacity (l)	height (mm)
384464	black/grey	2× 26	448

For cabinet body width 600 mm



code	colour	capacity (l)	height (mm)
384465	black/grey	2× 11 + 26	448

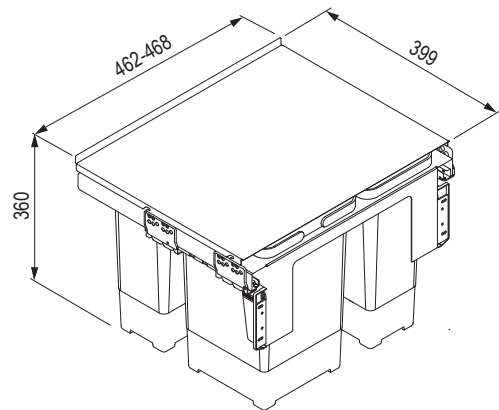
For cabinet body width 450 mm



code	colour	capacity (l)	height (mm)
207560	grey	18 + 12	360

- min. mounting cut-out: 412 × 399 × 375 mm
- includes 1 lid for 12 l bin and full extension slide with soft closing
- metal shelf is included in the packaging

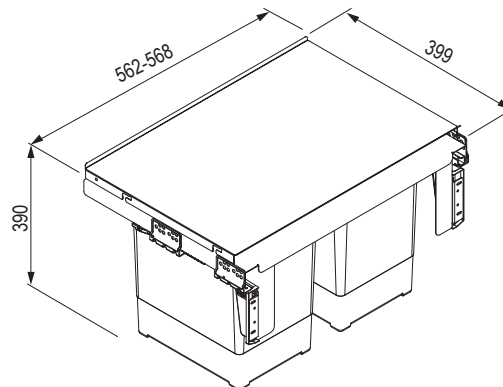
For cabinet body width 500 mm



code	colour	capacity (l)	height (mm)
207559	grey	8 + 12	360

- min. mounting cut-out: 462 × 399 × 375 mm
- includes 1 lid for 8 l bin and full extension slide with soft closing
- metal shelf is included in the packaging

For cabinet body width 600 mm



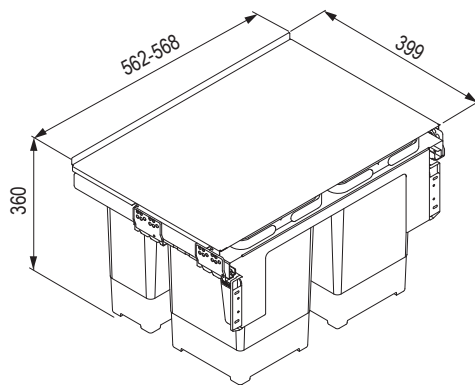
code	colour	capacity (l)	height (mm)
223316	grey	2 × 18	360

- min. mounting cut-out: 562 × 399 × 375 mm
- includes 1 lid for 18 l bin and full extension slide with soft closing
- metal shelf is included in the packaging

Garbo sorters



For cabinet body width 600 mm

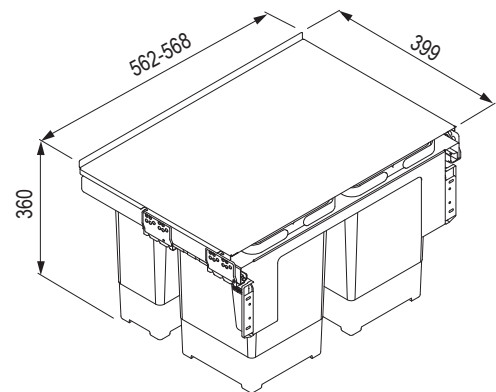


code	colour	capacity (l)	height (mm)
207558	grey	8 + 12 + 18 + ⁽¹⁾	360

¹⁾ shallow container

- min. mounting cut-out: 562 × 399 × 375 mm
- includes 1 lid for 8 l bin and full extension slide with soft closing
- metal shelf is included in the packaging

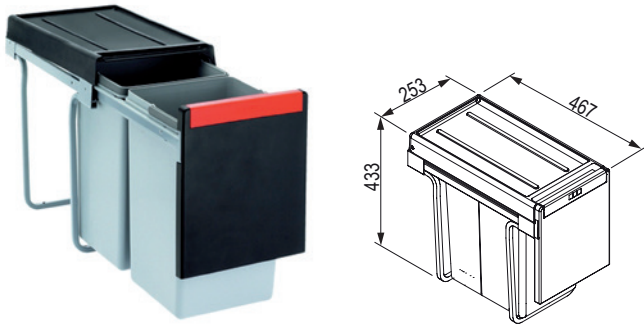
For cabinet body width 600 mm



code	colour	capacity (l)	height (mm)
207557	grey	2 × 8 + 2 × 12	360

- min. mounting cut-out: 562 × 399 × 375 mm
- includes 1 lid for 8 l bin and full extension slide with soft closing
- metal shelf is included in the packaging

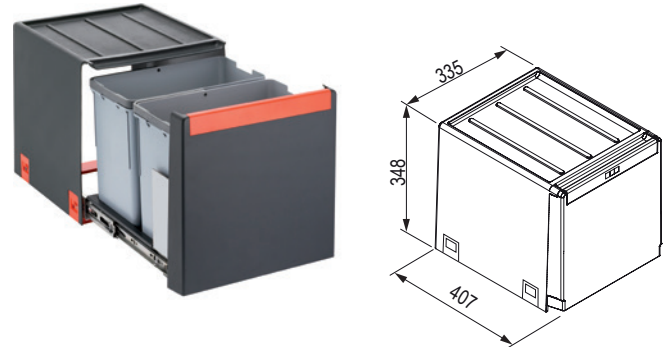
For cabinet body width 300 mm



- installation into cabinet
- manual opening
- installation into a cabinet with hinged doors

code	colour	capacity (l)	height (mm)
44422	black/grey	2 × 15	433
44423		20 + 10	

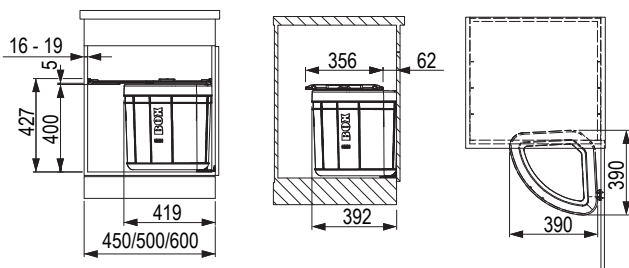
For cabinet body width 400 mm



- installation into cabinet
- manual opening
- installation into a cabinet with hinged doors

code	colour	capacity (l)	height (mm)
44417	black/grey	2 × 14	348

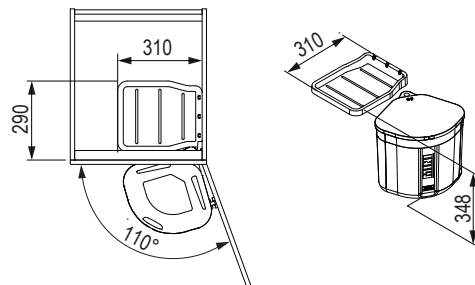
Waste bin SOLO



- width of individual types only differs by shelf dimensions
- mounting on door with hinges
- the bin opens at the same time as the door
- the shelf is included in the packaging, is positioned between the cabinet body sides and contains a carbon filter

code	colour	capacity (l)	for cabinet (mm)	height (mm)
83849	black	40	450	430
83875			500	
44441			600	

Waste bin MINI



- required door opening angle: 110°
- installation into a cabinet with hinged doors
- the bin opens at the same time as the door
- shelf above the basket is included in the packaging

code	colour	capacity (l)	height (mm)
129547	black	175	348

Flexon II sorters

BLANCO

Recommended slides with a side

sorter type / slide type	Blum ANTARO D		Blum LEGRABOX C		Hettich InnoTech Atira			StrongBox	
	white	grey	white	grey	white	silver	anthracite	white	grey
slide depth / colour									
500 mm	206045	206044	255238	255234	348776	348780	348778	179271	146773

- can also be used for wooden drawers
- designed for installation into a drawer
- Fixed shelves included in the packaging (except LOW type)

For cabinet body width 300 mm



code	capacity (l)
314156	19

For cabinet body width 300 mm



code	capacity (l)
314118	2× 8

For cabinet body width 450 mm



code	capacity (l)
314119	2× 16

For cabinet body width 500 mm



code	capacity (l)
314121	19 + 2× 8

For cabinet body width 500 mm



code

capacity (l)

314120

2 × 19

For cabinet body width 600 mm



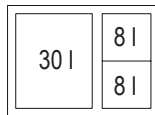
code

capacity (l)

313919

3 × 15

For cabinet body width 600 mm



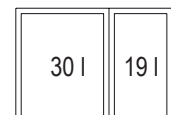
code

capacity (l)

314123

30 + 2 × 8

For cabinet body width 600 mm



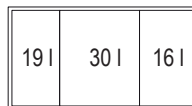
code

capacity (l)

314122

30 + 19

For cabinet body width 800 mm



code

capacity (l)

380742

19 + 30 + 16

For cabinet body width 900 mm



code

capacity (l)

314125

3 × 19 + 16

❗ For sorters of width 800 mm and 900 mm, the upper shelf is not included in the set.

❗ For sorters of widths 800 mm and 900 mm, the upper shelf is not included in the set and cannot be ordered.

Select II sorters

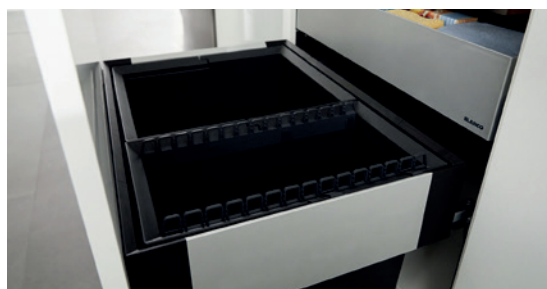
BLANCO

Package contents:

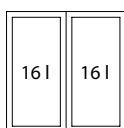
- frame with full extension slide and upper shelf
- plastic containers and mounting accessories

For Select 60/3, a lid for the 15-litre container can be purchased additionally

- total height: 361 mm
- depth: 400 mm
- minimum internal cabinet depth 450 mm

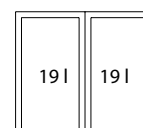


For cabinet body width 450 mm



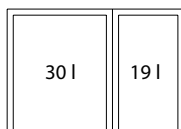
code	capacity (l)
455200	2 × 16

For cabinet body width 500 mm



code	capacity (l)
455201	2 × 19

For cabinet body width 600 mm



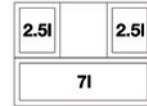
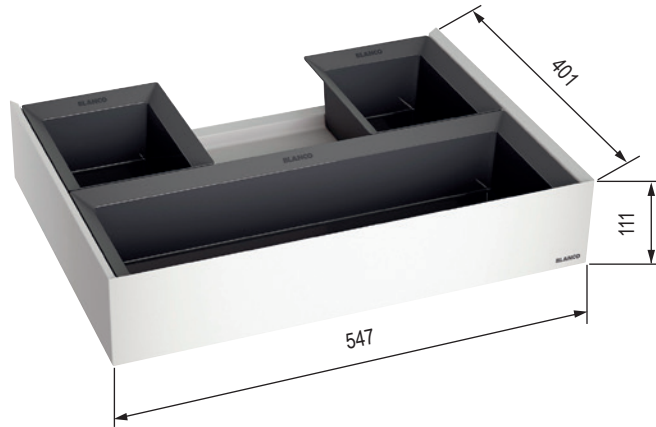
code	capacity (l)
455202	30 + 19

For cabinet body width 600 mm



code	capacity (l)
455203	3 × 15

Organisation drawer



code	description	for cabinet (mm)
455206	organisation drawer	600

- accessory for Select bin series
- boxes in the drawer have bevelled edges
- dishwasher safe
- universal boxes can be moved - with respect to the drain fitting



Ritter built-in appliances

ritter
made in Germany

Ritter built-in appliances

Multi-function slicer BFS 72 SR

code	description	colour
229295	right	silver

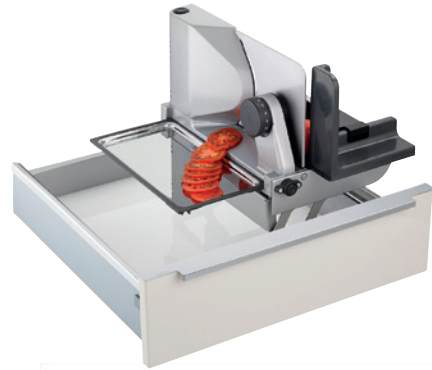
- for installation in standard drawers with a cabinet body width of at least 450 mm
- built-in universal slicer in high quality full metal design
- electrolytically polished blade, diameter: 17 cm
- slice thickness adjustable up to approx. 14 mm

Safety locks preventing:

- spontaneous sliding-in during cutting
- spontaneous change of slice thickness
- spontaneous folding
- child safety lock with two-finger switch-on system
- intermittent and continuous operation
- polished stainless steel food collecting tray
- appliance dimensions: height: 75 mm, width: 342 mm, depth: 365 mm (folded)
- VDE/GS mark, safety category 2, CE
- 230 V, 65 W (new energy-saving motor)
- weight: 4.3 kg

Optional accessories to purchase:

- 402960 smooth blade, electrolytically polished (suitable e.g. for slicing ham)



402960

Multi-function slicer BFS 62 SR and BFS 62 SL

code	description	colour
RI002	BFS 62 SR, right	silver
RI004	BFS 62 SL, left	silver

- foldable slicer into a pull-out for cabinet body width of 450 mm
- full metal design
- hardened 170 mm blade with special serration
- smooth slicing adjustable up to 14 mm

Safety locks preventing:

- spontaneous sliding-in during cutting
- spontaneous change of slice thickness
- spontaneous folding
- removable stainless steel tray with fixed position on the slicer
- minimum inner depth: 418 mm
- minimum inner width: 342 mm
- minimum necessary height: 75 mm
- holder of leftovers
- input power: 130 W
- weight: 4.7 kg

Optional accessories to purchase:

- 292620 smooth blade, electrolytically polished (suitable e.g. for slicing ham)



BFS 62 SR – right



292620



left



BFS right



Ritter built-in appliances

Multi-function slicer BFS 52 S

code	description	colour
RI006	right	silver

- foldable slicer for 300 mm pull-out
- full metal design
- 170 mm blade with special serration
- smooth slicing adjustable up to 14 mm

Safety locks preventing:

- spontaneous sliding-in during cutting
- spontaneous change of slice thickness
- spontaneous folding

- removable stainless steel tray with fixed position on the slicer
- minimum inner depth: 412 mm
- minimum inner width: 195 mm
- minimum necessary height: 79 mm
- holder of leftovers
- input power: 130 W

weight 4.4 kg

Optional accessories to purchase:

- 292620 smooth blade, electrolytically polished (suitable e.g. for slicing ham)



292620

Beezer – cooling at a touch

- Power supply: 220–240 V, 50 Hz, 1.3 A, 276 W.
- Maximum bottle size: length 36 cm, diameter 9.5 cm.
- Dimensions: width 25.5 cm × height 44 cm × depth 48.5 cm.
- Weight: 23 kg.



code	description	colour
549014	beverage cooler	white
549015		black

Multi-function slicer E118

- Suitable for bottom cabinet with a width of 400 mm.
- Dimensions:
 - height: 210 mm
 - width: 210 mm
 - depth: 335 mm
- 📌 slicer suitable for lift-up shelf 545322 – ChefsTable, on p.: 05.36



code	description	colour
549013	E118	silver

Built-in cordless blender BHB 50

code	description
348058	BHB 50

- for drawer width at least 300 mm
- three speed settings: 6 000 rpm
9 000 rpm
12 000 rpm
- the charging station is firmly mounted in the drawer, can be removed without tools for quick cleaning
- LED battery capacity indicator
- 4 attachments: universal, whipping, stirring, cutting
- two-finger switch-on safety system
- charging 100–240 V, lithium-ion battery: 7.2 V, 2.1 Ah
- total weight incl. charging station – 1.4 kg, blender weight – 1 kg
- overall dimensions in drawer: width 138 mm, length 420 mm, height 73 mm



Toaster BT 10

code	description
RI013	BT 10

- ready to use with one movement
- thermal insulated housing made of stainless steel
- defrosting cover
- reheating function
- stop button to interrupt toasting
- specially shaped crumb tray for cleaning in any position of the toaster
- rack for toasting rolls
- minimum inner width: 178 mm
- minimum pull-out height: 75 mm
- minimum inner depth: 415 mm
- weight: 2 kg

