

# fittings for sliding and folding doors



---

## ORDER FORM FOR FITTINGS FOR BUILT-IN WARDROBES SEVROLL

It is easy to assemble all the components for the sliding door correctly thanks to the online configurator. Available for download on our website.



---

## MATERIAL FOR THE PRODUCTION OF WARDROBES AND DOORS

Materials for manufacturing doors and cabinet bodies together with fittings? Nothing is easier than sourcing both from us.



---

## ADVISORY SERVICE

Not sure which fittings to choose or how to assemble them? Call +420 556 684 310 or email [export@demos-trade.com](mailto:export@demos-trade.com) and we will be happy to help you.



---

## SAMPLE ROOM DISPLAYS

What do handles for fitted wardrobes look like? How do cabinets with overlay sliding doors work? How do the individual types work? Come and see for yourself, or send your customers to our sample room. We will walk them through everything and help them make the right choice.



---

## PORTAL

A customer portal for purchasing, order overview, job submission, formatting, and order status tracking. Stock availability, your prices, and much more — all in one place.





07

# contents

		brand	series	model	load capacity (kg)	page	
	wardrobe, full overlay	Strong	StrongLine	Planio	20–80	07.19	
		Terno	–	Magic Living	40	07.11	
		Hettich	TopLine	Dama	30	07.74	
				TopLine XL	60–100	07.81	
				TopLine L	50	07.83	
SlideLine	SlideLine M	30	07.91				
	wardrobe, in-plane overlay	Strong	StrongLine	Dornio	80	07.17	
	wardrobe, inset	Strong	StrongLine	Piato	10–50	07.20	
				Linio	40	07.21	
				Baleo	30	07.23	
				1030	30	07.24	
		Sevroll	–	Micra	40	07.25	
				with frame	10/18 mm/glass	50	07.27
				without frame	18 mm	50	07.51
		Terno	–	Dama	30	07.74	
				for glass doors	10	07.76	
				for glass doors	30	07.77	
		Sevroll	–	other	15–35	07.78	
		Hettich	–	TopLine	TopLine 25 and 27	25	07.85
					TopLine 1	50 or 75	07.85
SlideLine	SysLine S			15	07.88		
	SlideLine M			30	07.91		
	SlideLine 55			15 or 30	07.93		
	SlideLine 55 plus			30	07.94		
–	SlideLine 56	40	07.96				
–	SlideLine 97 (glass)	25 or 50	07.97				

# contents

		brand	series	model	load capacity (kg)	page
	wardrobe pocket-folding	Blum	<b>Revego</b>	–	35	<b>07.7</b>
		Hawa	<b>Concepta</b>	–	25–35	<b>07.9</b>
		Hettich	–	<b>KA 5740</b>	14	<b>07.114</b>
	wardrobe, folded	Strong	<b>StrongLine</b>	<b>Turnio</b>	15 or 25	<b>07.15</b>
		Terno	–	<b>Spin</b>	17.5	<b>07.12</b>
		Sisco System	–	–	20	<b>07.14</b>
		Hettich	<b>WingLine</b>	<b>WingLine L</b>	25	<b>07.100</b>
				<b>WingLine S</b>	5	<b>07.109</b>
		<b>Wing 77</b>	25	<b>07.111</b>		



# contents

---



# contents

		brand	series	model	load capacity (kg)	page
	interior, sliding	Strong	StrongLine	Barnio	80	07.121
				synchronous opening	80	07.127
		Terno	-	Magic 2	80	07.116
				Diva Fluid	40–80	07.117
				Step	30–180	07.125
				Vetro 40	80–120	07.124
				synchronous opening	80	07.128
Sisco System	-	Silent	40–80	07.131		
Sevroll	-	Simple Blue	35 or 50	07.132		
	interior, folded, inset	Terno	-	VersAtile	30–80	07.133
		Sisco System	-	-	30	07.136
	interior, folded, full overlay	Strong	StrongLine	Barnio fold	40	07.122
		Hettich	WingLine	WingLine 230	20–25	07.110
		Terno	Sisco System	-	30	07.130
other fittings	rotating shelf system	Hettich	FurnSpin	-	80–120	07.13
levelling fittings		Strong				07.73
		Terno				07.73
		Hettich				07.113

# REVEGO uno — single door

## REVEGO

**REVEGO** pocket systems with extended range of use for front height up to 2980 mm. The extensive **REVEGO** product range now offers even greater scope for individual realisation.

Thanks to supplementary beam sets for **REVEGO uno** and **REVEGO duo** hinges, fronts with a height of 1800 to 2980 mm can now be fitted. Suitable for all applications with single-door and double-door doors: **REVEGO uno**, **REVEGO duo**, **REVEGO uno + duo**, **REVEGO duo + duo**.



REVEGO uno + duo



REVEGO duo



REVEGO uno



REVEGO duo + duo



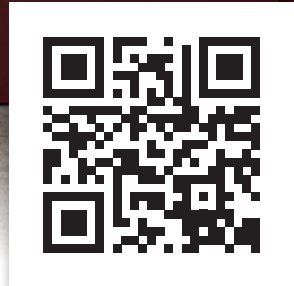
Revego uno + duo



# REVEGO uno — single door



07



# Hawa Concepta III, Folding Concepta III



## Concepta III 25/35 and Folding Concepta III 20/25



18-26 mm

load  
20/25 kg  
25/35 kg

- patented pivot/sliding system of door fittings for pocket installation
- allows the door to slide into the pocket
- Push – handleless version, Pull – handle version. Universal left/right solution
- soft-closing opening and retraction into pocket
- suitable for door thickness from 18 up to 26 mm

Configurator:



Type	number of doors (width 440-750 mm)	opening direction	door height in mm			
			1200 - 2200		1900 - 2700	
			surface treatment		surface treatment	
			silver	black	silver	black
Concepta III Push	1	to the left	<b>520421</b>	×	<b>520424</b>	×
		to the right	<b>520422</b>	×	<b>520423</b>	×
to the left		<b>520430</b>	×	<b>520433</b>	×	
to the right		<b>520431</b>	×	<b>520432</b>	×	
Folding Concepta III Push	2	to the left	<b>525375</b>	<b>525376</b>	<b>525395</b>	<b>525396</b>
		to the right	<b>525377</b>	<b>525378</b>	<b>525397</b>	<b>525398</b>
to the left		<b>525385</b>	<b>525386</b>	<b>525405</b>	<b>525406</b>	
to the right		<b>525387</b>	<b>525388</b>	<b>525407</b>	<b>525408</b>	
Folding Concepta III Pull	3	to the left + to the right	<b>525381</b>	<b>525382</b>	<b>525401</b>	<b>525402</b>
		right + left	<b>525383</b>	<b>525384</b>	<b>525403</b>	<b>525404</b>
to the left + to the right		<b>525391</b>	<b>525392</b>	<b>525411</b>	<b>525412</b>	
right + left		<b>525393</b>	<b>525394</b>	<b>525413</b>	<b>525414</b>	
Folding Concepta III Push	4	right + left	<b>525379</b>	<b>525380</b>	<b>525399</b>	<b>525400</b>
Folding Concepta III Pull			<b>525389</b>	<b>525390</b>	<b>525409</b>	<b>525410</b>

❗ \*Push – version without handle, Pull – version with handle

## Accessories

code	description	type
<b>520084</b>	connecting set 55 mm, 560 mm	Concepta III
<b>520107</b>	upper connecting piece 55 mm, 560 mm	
<b>520108</b>	upper connecting piece 110 mm, 500 mm	
<b>520374</b>	lower connecting piece 110 mm, 26 mm	
<b>520414</b>	lower connecting piece 110 mm, 500 mm	
<b>352524</b>	centring magnets	Folding Concepta III
<b>525326</b>	bottom profile for 2 doors, silver	
<b>525331</b>	bottom profile for 2 doors, black anodised	
<b>525328</b>	bottom profile for 3 doors, silver	
<b>525332</b>	bottom profile for 3 doors, black anodised	
<b>525311</b>	top panel reinforcement for 4 doors, 2 765 mm	
<b>525313</b>	top panel reinforcement for 3 doors, 2 085 mm	

❗ **Warning:**

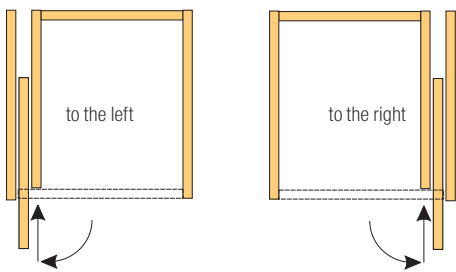
To maintain the door rigidity that is essential for this system, it is very important to use door reinforcements (levelling fittings). Without these fittings, the door door is at risk of bowing, and in this case we cannot guarantee the faultless operation of this system.

code	description
<b>351707</b>	StrongLine Door reinforcement max. 2 250 mm, white
<b>351706</b>	StrongLine Door reinforcement max. 2 250 mm, black
<b>475044</b>	TERNO sliding door reinforcements 2 248 mm
<b>104091</b>	HETTICH 73347 levelling fittings, brown

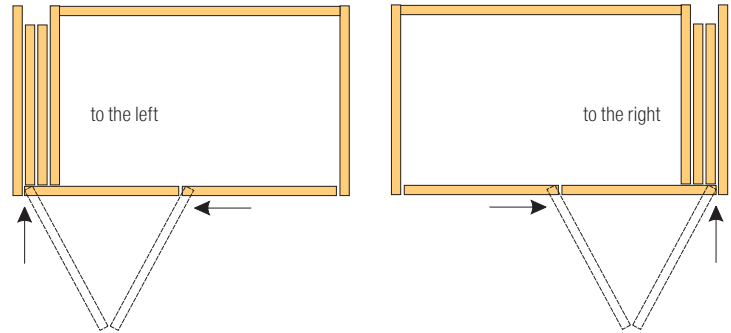
# Hawa Concepta III, Folding Concepta III



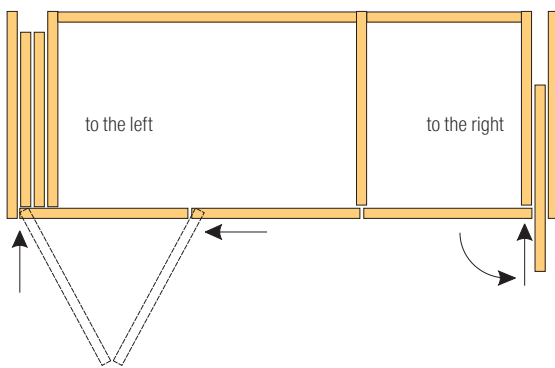
example of folding door opening  
 Concepta III Push 1× left door      Concepta III Push 1× right door



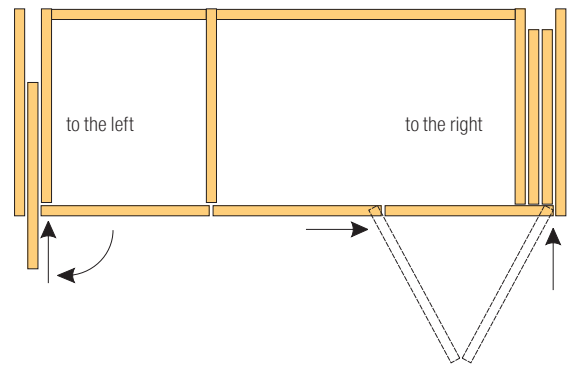
example of folding door opening  
 Folding Concepta III Push 2× left door      Folding Concepta III Push 2× right door



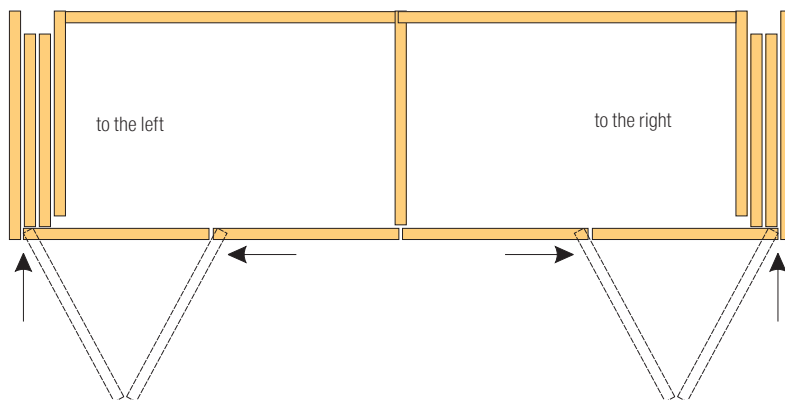
example of folding door opening  
 Folding Concepta III Push 2× left door + Concepta III Push 1× right door



example of folding door opening  
 Concepta III Push 1× left door + Folding Concepta III Push 2× right door

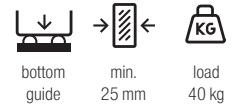


example of folding door opening  
 Folding Concepta III Push 2× left door and 2× right door



# Magic Living sliding wooden door system

## Magic Living sliding wooden door system



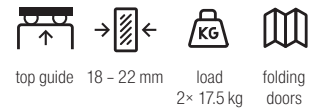
- New and original Magic Living sliding door system, fully concealed.
- The unique sliding mechanism brings minimalism, innovation, functionality, and design.
- The doors move without visible tracks, offering smooth closing and quiet operation.
- Door width – 600–1 800 mm, maximum height – 2 400 mm, load capacity – 40 kg. Minimum material thickness – 25 mm.

surface treatment	door width (mm)	
	600–1100	600–1800
anodised black	<b>531301</b>	<b>531302</b>
anodised silver	<b>531300</b>	<b>531303</b>



# Spin folding door fitting set

## Spin folding wooden door system

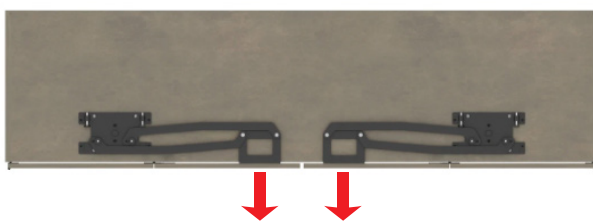


- Pivot-sliding movement – a combination of pivoting and sliding allows the doors to be fully opened, providing comfortable access to the entire space.
- Exceptionally smooth and quiet opening.
- Ideal for corner and fitted wardrobes – maximum use of space even in challenging locations.
- Minimal clearance is required between the ceiling or suspended ceiling and the cabinet, enabling full-surface design solutions.
- Easy adjustment – practical three-axis adjustment, quick and simple adaptation to requirements.

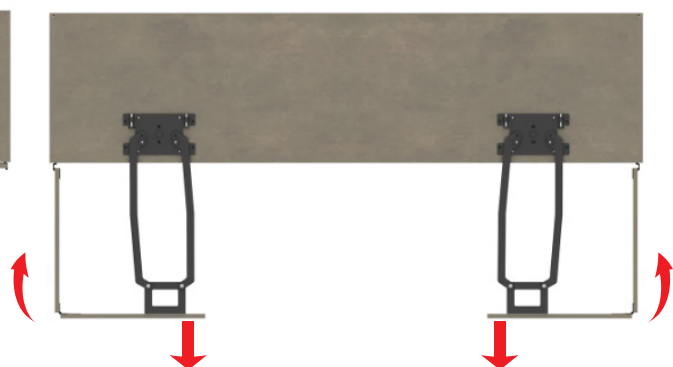


cabinet body width +/- 2 mm	922	1022	1122	1222	900	1000	1100	1200	
single door width +/- 1 mm	447	497	547	597	447	497	547	597	
overlap in mm	5 - 12				16 - 23				
Surface treatment	metallic grey lacquer	524657	524659	524661	524665	524667	524684	524686	524688
	white lacquer RAL9002	524658	524660	524663	524666	524683	524685	524687	524689

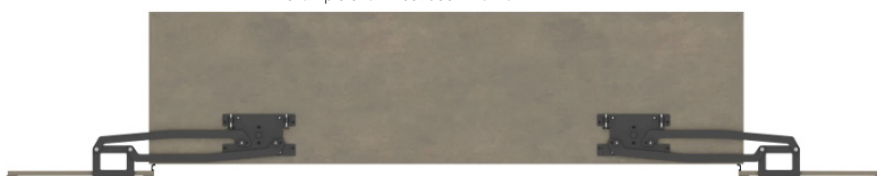
example of an inset door



example of inset door, partial covering



example of an inset door in a wall



## Silent System

fittings size	code	version	Hettich code
S	<b>544990</b>	left	9 349 281
	<b>544991</b>	right	9 349 282
M	<b>544992</b>	left	9 349 287
	<b>544993</b>	right	9 349 288
XL	<b>544994</b>	left	9 349 303
	<b>544995</b>	right	9 349 304

- pivot-sliding system for a rotating inner section within an outer fixed cabinet body

minimum built-in fitting dimensions in mm

FunSpin size	S	M	XL
length L	339	402	526
width B	339	402	526
height H	40	40	45



**L** = cabinet body dimension  
**B** = width  
**H** = height of installation space for mechanism

### Recommended dimensions for fitting size S:

- Suitable for a rotating inner section with a defined floor area of min. 377 × 377 mm, max. 450 × 450 mm.
- Height of rotating inner section min. 700 mm, max. 2400 mm.
- Maximum load capacity 80 kg (total weight of rotating inner section including contents).

### Recommended dimensions for fitting size M:

- Suitable for a rotating inner section with a defined floor area of min. 440 × 440 mm, max. 515 × 515 mm.
- Height of rotating inner section min. 700 mm, max. 2400 mm.
- Maximum load capacity 100 kg (total weight of rotating inner section including contents).

### Recommended dimensions for fitting size XL:

- Suitable for a rotating inner section with a defined floor area of min. 564 × 564 mm, max. 664 × 664 mm.
- Height of rotating inner section min. 700 mm, max. 2400 mm.
- Maximum load capacity 120 kg (total weight of rotating inner section including contents).

## Push to Open Silent

fittings size	code	version	Hettich code
S	<b>544996</b>	left, upper	9 349 283
	<b>544997</b>	right, upper	9 349 284
	<b>544998</b>	left, lower	9 349 285
	<b>544999</b>	right, lower	9 349 286
M	<b>545000</b>	left, upper	9 349 289
	<b>545001</b>	right, upper	9 349 290
	<b>545002</b>	left, lower	9 349 301
	<b>545003</b>	right, lower	9 349 302
XL	<b>545004</b>	left, upper	9 349 305
	<b>545005</b>	right, upper	9 349 306
	<b>545006</b>	left, lower	9 349 307
	<b>545007</b>	right, lower	9 349 308

### Set contains:

- 1 pc pre-assembled upper fitting
- 1 pc pre-assembled lower fitting
- 1 pc assembly aid
- fasteners
- assembly manual

### Configurator:



### Version:

- Left version: opening in clockwise direction.
- Right version: opening in counter-clockwise direction.

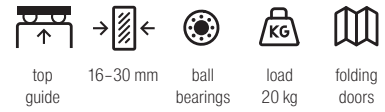
### Position:

- Push to Open Silent is assembled into the upper or lower fitting assembly (selected according to the height and assembly position of the furniture).

**ⓘ Height, tilt, depth, width, and end positions can be adjusted.**  
 The Cadro frame system for FurnSpin can optionally be used.

# folding full overlay wardrobe doors

## Sets of running components



- fittings for full overlay folding doors with top guide
- the weight of doors is mainly supported by hinges on the side of the cabinet (not included in the set)
- use appropriate number of hinges according to weight and type of doors
- we recommend full overlay hinge 110° (see Chapter 1)

## Without bottom guide

code	description
<b>87470</b>	set of fittings for door max. 300 × 2 000 mm

- bottom slider - castor runs on the edge

## With bottom guide

code	description
<b>87478</b>	set of fittings for door max. 300 × 2 000 mm

## With bottom guide for larger doors

code	description
<b>87479</b>	set of fittings for door max. 500 × 2 600 mm

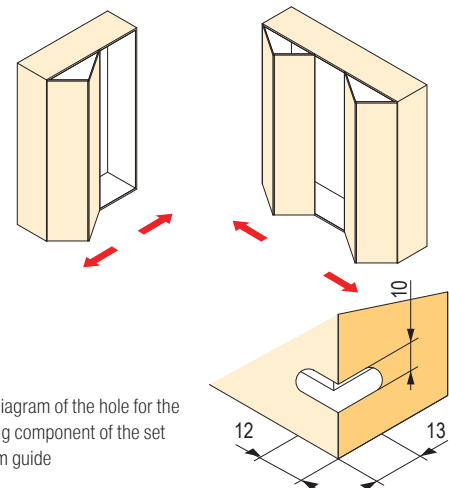
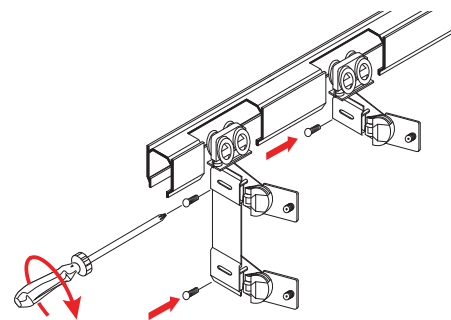
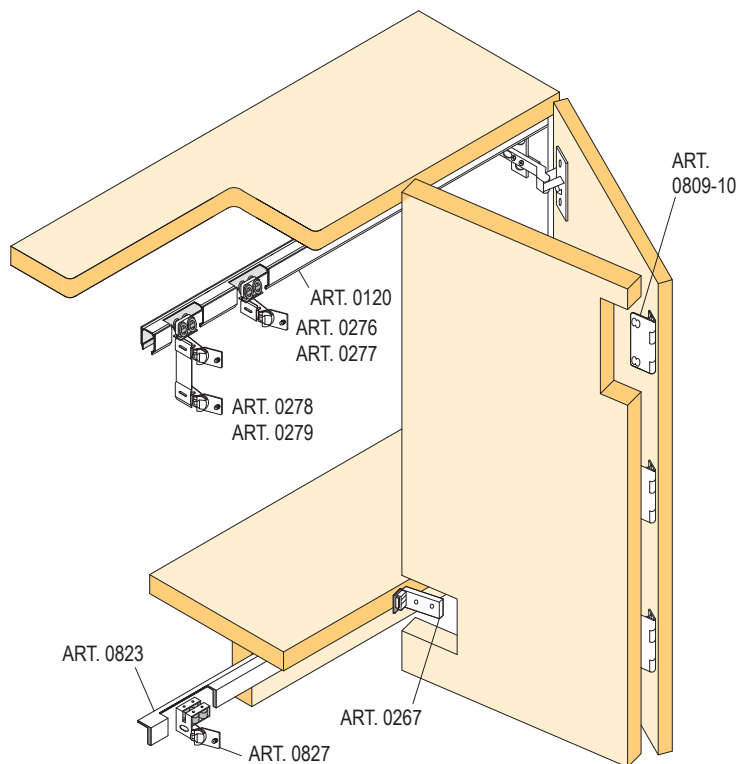
- versions with bottom guide for larger doors, double hinge



## Top and bottom guide



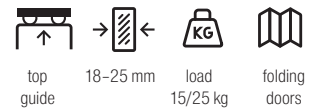
guide length	top guide Art. 0120	bottom guide Art. 0823
1,5 m	<b>87481</b>	<b>87516</b>
2 m	<b>87482</b>	<b>87517</b>
3 m	<b>87483</b>	<b>87518</b>



dimensional diagram of the hole for the bottom running component of the set without bottom guide

# folded full overlay wardrobe doors

## StrongLine Turnio



- Smooth and space-saving opening of cabinets and wardrobes.
- Ideal wherever efficient use of space and aesthetic design are important.
- Brushes positioned in the upper profile prevent the accumulation of dirt.
- Right-left version.
- When folded, the maximum distance between individual doors is only 115 mm.
- Thanks to the integrated stop, the doors remain securely in place when open.

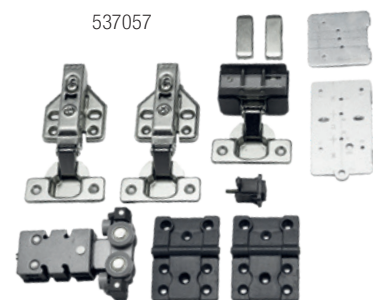


### Fitting sets

code	description	door thickness (mm)	guide hinge	maximum door width (mm)	maximum height (mm)
<b>538057</b>	for 2 doors, 15 kg/1 door	18 - 25	top	500	1200
<b>538058</b>	for 2 doors, 25 kg/1 door		top and bottom	600	2600

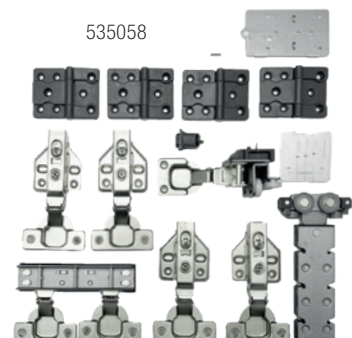
**Set contains:**

- guide mechanism
- inter-door and side hinges
- brake
- connecting fittings



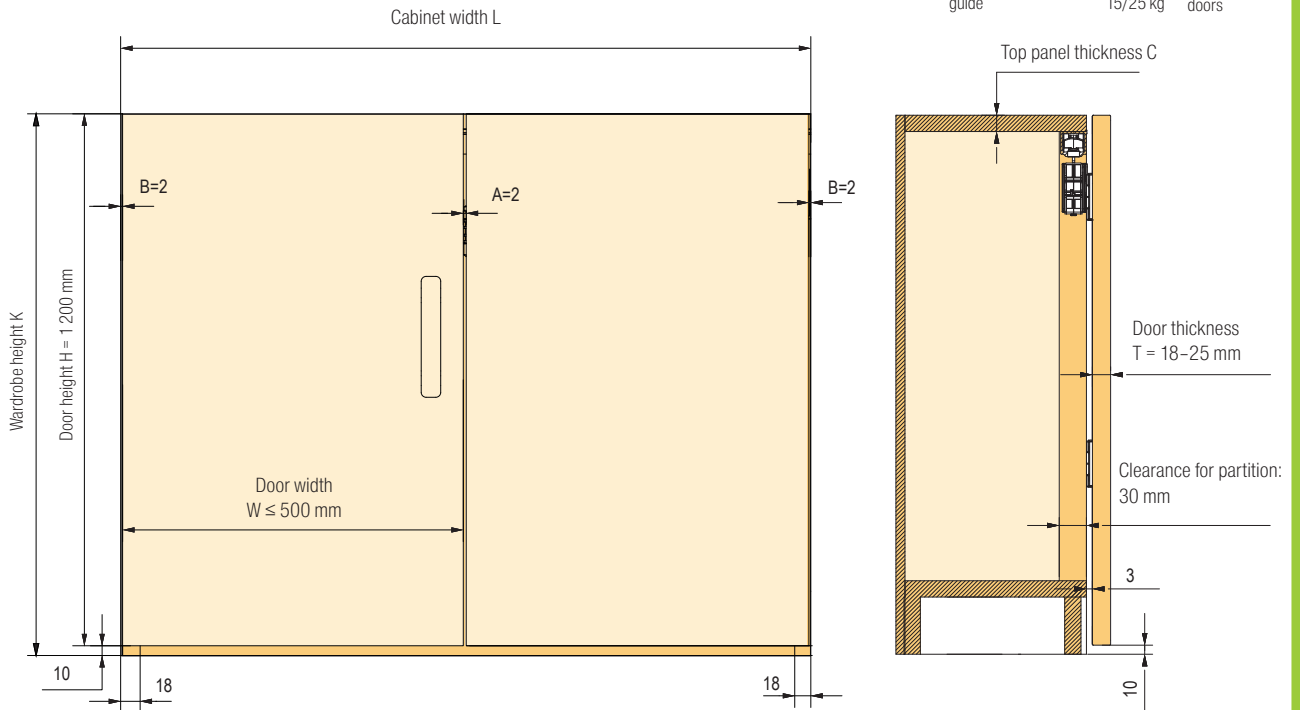
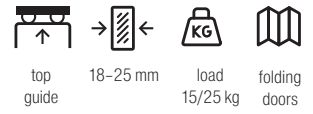
### Guide track (anodised aluminium)

description	length (mm)	
	1500	2500
top	<b>538059</b>	<b>538060</b>
bottom	<b>538062</b>	<b>538063</b>

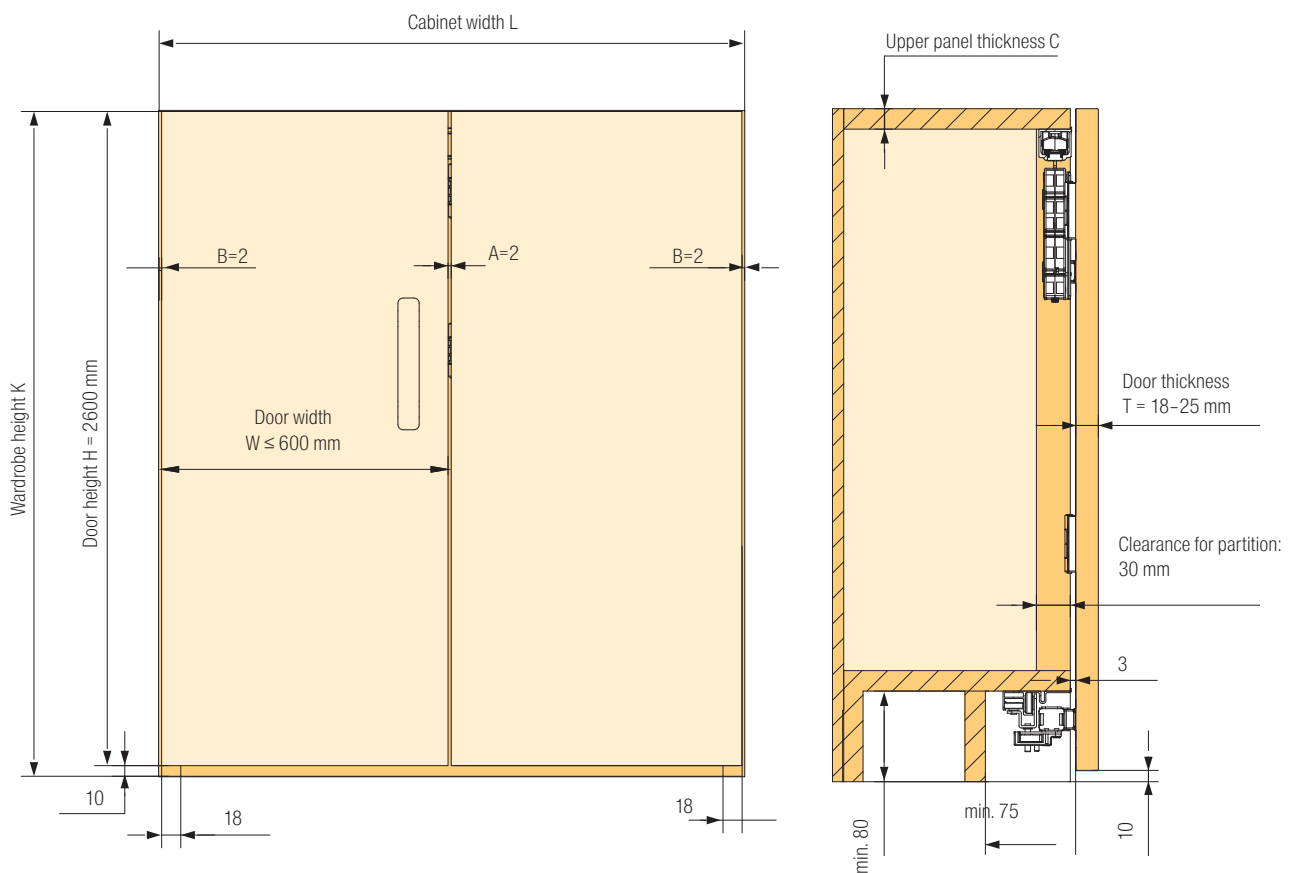


# folding full overlay wardrobe doors

- Fitting set up to 15 kg and up to height 1 200 mm.



- Fitting set up to 25 kg and up to height 2 500 mm.



# in-plane overlay wardrobe doors



## StrongLine Dornio



- Uniform and clean door line.
- **Suitable for doors with a thickness of 18–45 mm.**
- Soft closers in the opening and closing direction.
- Safety latch against unhinging.
- Minimum gap between doors and at the sides.
- **Profile can be trimmed.**

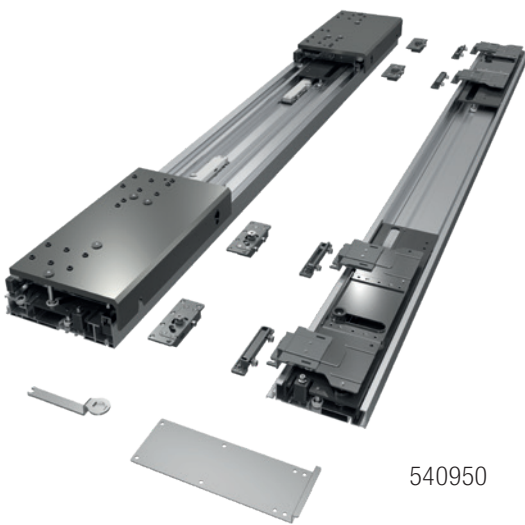


### Complete sets for 2 doors

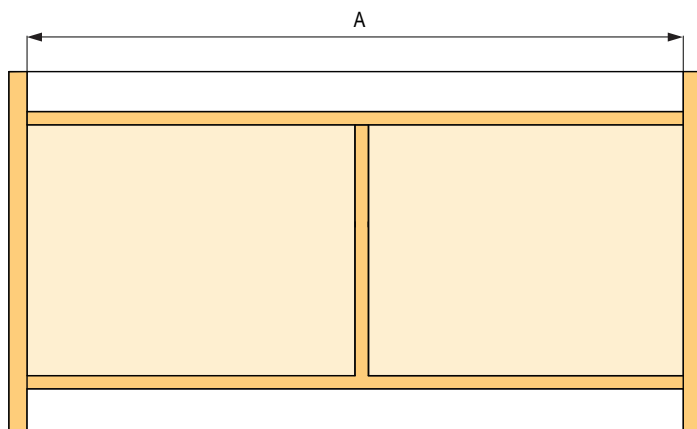
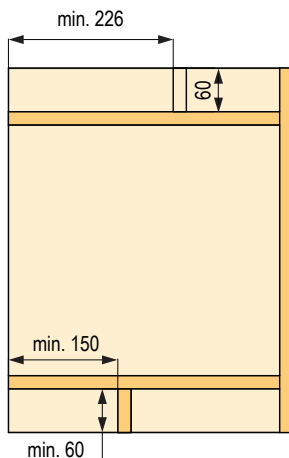
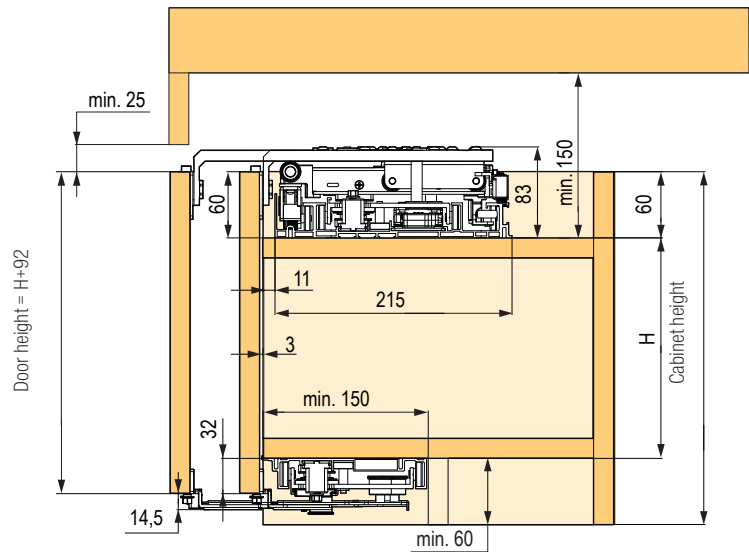
code	internal cabinet body clearance (mm)	load capacity (max., kg)	door thickness (mm)
<b>540950</b>	1650 - 2050	80	18-45
<b>540951</b>	2050 - 2450		

**Set contains:**

- top and bottom guide mechanisms for 2 doors
- top and bottom guide
- damping set
- assembly key



Installation (door thickness including handle ≤ 45 mm)



**i** To prevent sliding doors from bowing, we recommend using door reinforcements - see related range.

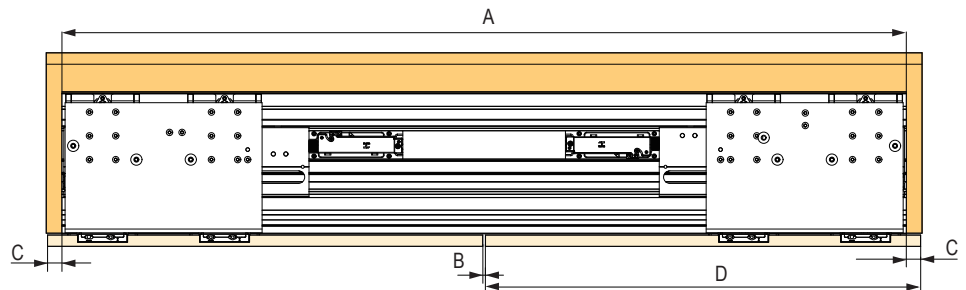
# in-plane overlay wardrobe doors



## DOOR DIMENSIONS – OVERLAY DOOR VERSION

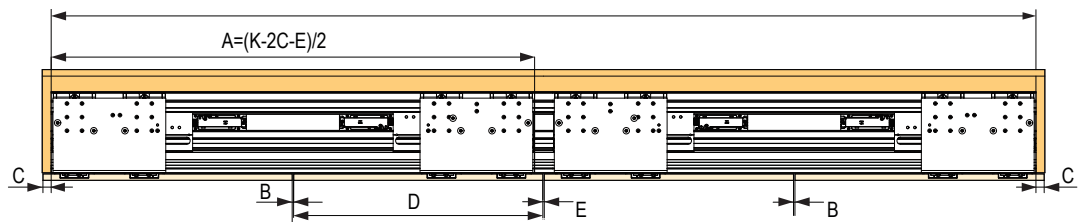
### TWO DOORS

- A = Internal cabinet width
- B = Gap between doors  $\geq 4$  mm
- C = Side panel thickness  $\leq 25$  mm
- D = Door width =  $(A + 2C - B)/2$



### FOUR DOORS

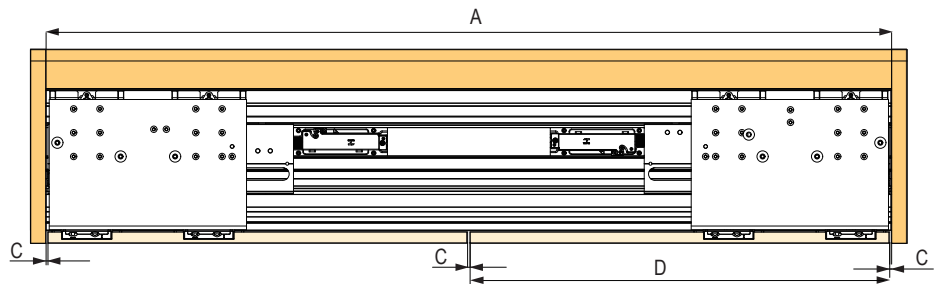
- A = Standard clear width
- B = Gap between two doors  $\geq 4$  mm
- C = Side panel thickness ( $\leq 25$  mm)
- D = Door width =  $(K + 2C - B - E)/4$
- E = Gap between two centre doors (doors do not open simultaneously -  $E \geq 3$  mm; doors open simultaneously -  $E \geq 6$  mm)
- K = Internal cabinet body width



### INSET DOOR VERSION

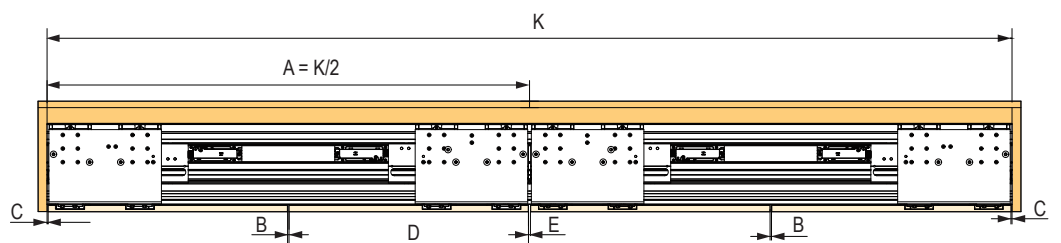
#### TWO DOORS

- A = Internal cabinet width
- B = Gap between doors  $\geq 4$  mm
- C = Side panel thickness  $\leq 3$  mm
- D = Door width =  $(A - 2C - B)/2$



#### FOUR DOORS

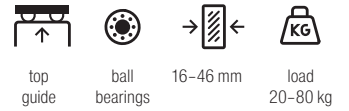
- A = Standard clear width
- B = Gap between two doors  $\leq 4$  mm
- C = Side panel thickness  $\leq 3$  mm
- D = Door width =  $(K - 2C - B)/4$
- E = Gap between two centre doors (doors do not open simultaneously -  $E \geq 3$  mm; doors open simultaneously -  $E \geq 6$  mm)
- K = Internal cabinet body width



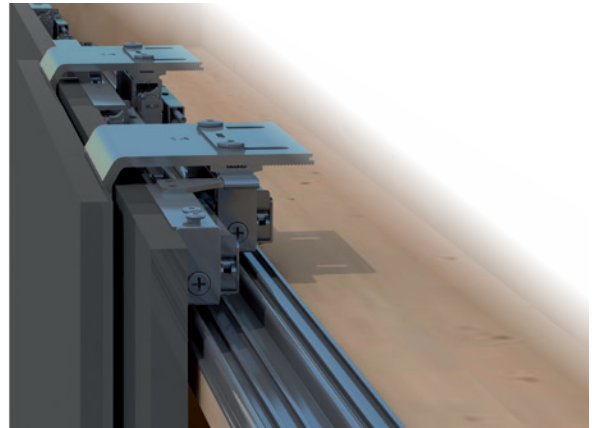
# sliding full overlay wardrobe doors



## StrongLine Planio



- sliding full overlay system for 2 or 3 doors
- double-sided soft closing for all doors
- also suitable for narrower doors
- anti-collision system for the version for 3 doors
- adjustable for material thicknesses 16–46 mm
- safety latch against dropping of the door

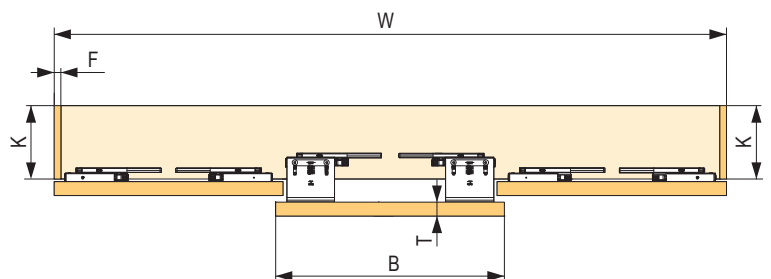
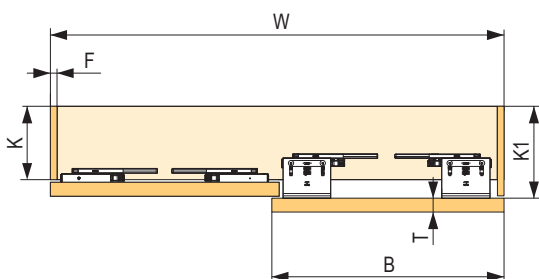
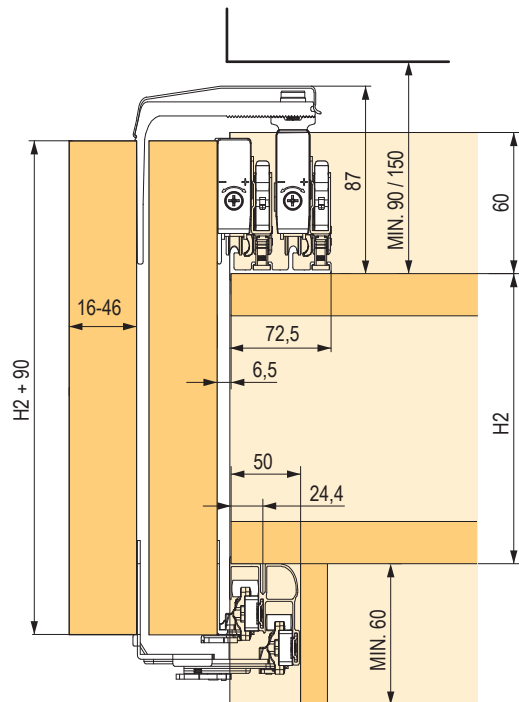
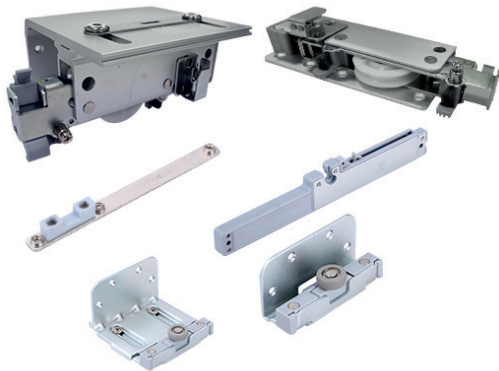


code	description
<b>388537</b>	set of fittings for 2 doors including soft closers
<b>398930</b>	set for 3 doors including soft closers, central soft closer and anti-collision element
<b>388539</b>	top guide anodised 2 m
<b>388540</b>	top guide anodised 3 m
<b>388541</b>	top guide anodised 4 m
<b>388542</b>	bottom guide anodised 2 m
<b>388543</b>	bottom guide anodised 3 m
<b>388544</b>	bottom guide anodised 4 m
<b>388545</b>	cover profile anodised 2 m

- To prevent sliding doors from bowing, we recommend using door reinforcements, see related range.

### Calculation of dimensions

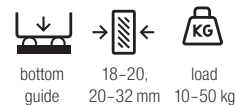
dimensions of sides:  $K1 \text{ (mm)} = K + T + 8$  ( $T = \text{door thickness } 16 \leq T \leq 46$ )  
 door width:  $B = W / 2 + 10$  (2 doors)  
 $B = W / 3 + 10$  (3 doors)



# sliding inset wardrobe doors

## StrongLine Piato

- Simple installation without milling required for door thickness up to 20 mm.
- Smooth and safe door movement.
- **Brushes positioned on the carriages automatically remove dust and dirt from the track.**
- Soft closers are fitted with an anti-jump function to prevent doors from coming off the guide trail.



## Fitting sets with damping

code	description	load capacity (kg)	door thickness (mm)	door width (mm)	door height (mm)
<b>540953</b>	for 2 doors	10 - 50	≤ 20	500 - 1200	≤ 2500
<b>540954</b>	for 3 doors				



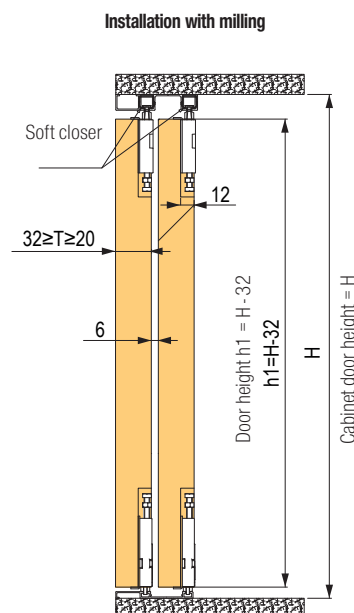
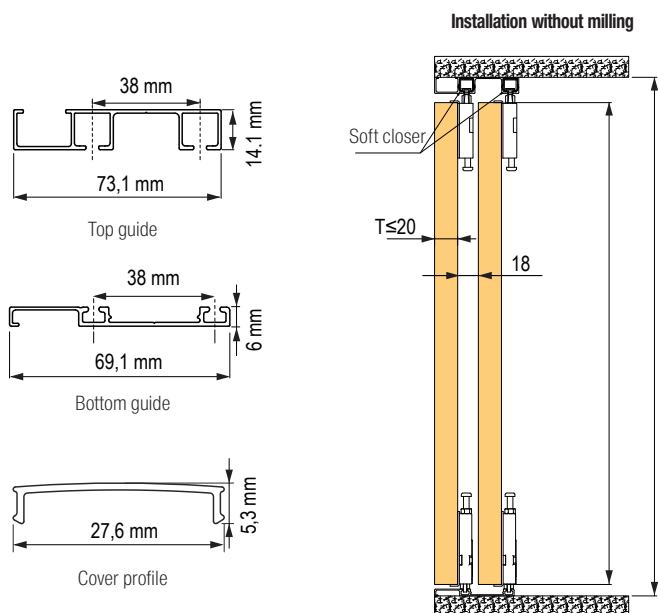
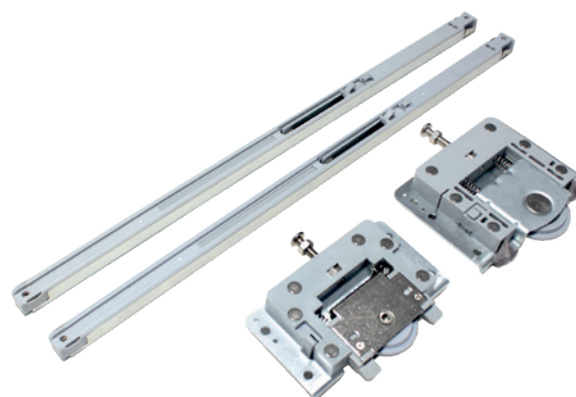
<sup>1)</sup> door thickness ≤ 20 mm without milling, 20 mm–32 mm with milling  
 • recommended aspect ratio height/width is max. 3:1

### the set includes:

- top and bottom running components
- connecting and assembly hardware
- soft closers

## Top and bottom guide track set including cover profile

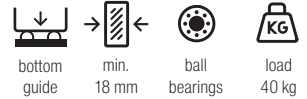
description	length (mm)	colour
<b>540955</b>	2000	anodised silver
<b>540956</b>	3000	
<b>542305</b>	2000	black
<b>542306</b>	3000	



# sliding inset wardrobe doors



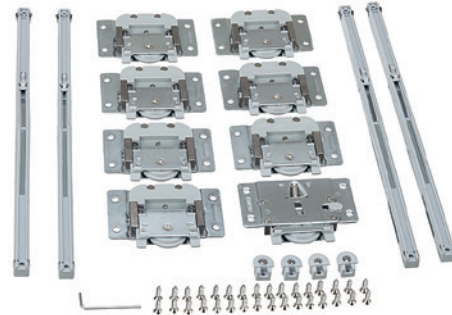
## StrongLine LINIO



- elegant solution for inset doors
- guide milled into the cabinet body, min. thickness 18 mm
- quiet running, high-quality bearings for long life service
- soft closing hidden in guide for silent closing of the door
- simple regulation, safety latch for easier door installation

code	description
<b>284545</b>	set for 2 doors, 4 × soft closer
<b>284546</b>	set for 3 doors, 4 × soft closer

- the set includes running components in the appropriate quantity, guide end pieces, fasteners and hex key
- minimum door width is 600 mm



## Centre soft closer

code	description
<b>284551</b>	for a 3-doors set

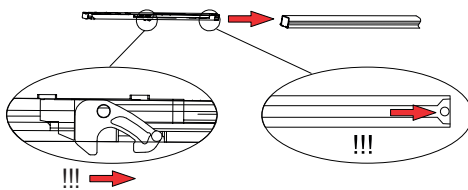
- for centre soft closer mounting, the middle door must be in the rear or the gap between the doors must be enlarged to allow other doors to move
- centre soft closer should be mounted to the cabinet body, guiding pin on door

## Top/bottom guide

code	length (m)
<b>284547</b>	1,5
<b>284549</b>	2
<b>284550</b>	3

- surface treatment – anodised silver

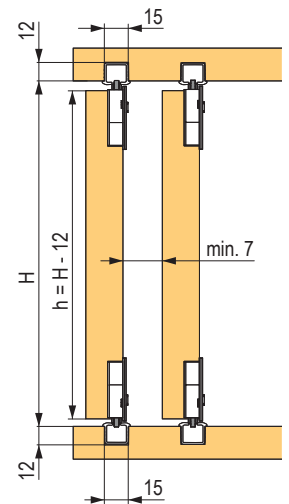
correct orientation of the soft closer in the guide profile



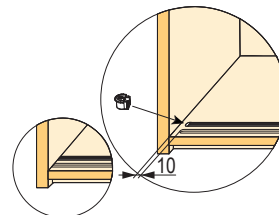
### Mounting information:

1. Before inserting the guide into the cabinet body, insert soft closers and end pieces to the rail. Please mind the correct orientation of the soft closer – arrows must point to the cabinet body centre.
2. Draw soft closers in the working position (according to the arrow – towards the cabinet body centre).
3. Before installing the door, push top running components in installation position and secure them with a safety latch.
4. Insert the door into the bottom rail, then direct the top running component to the top rail and release the safety latch.
5. Warning – door deflection during installation must not exceed 20°, otherwise the guide or even the cabinet body may suffer damage!
6. Regulate the door position, then secure against unhooking by tightening the top running component.
7. Align and secure the position of soft closing to close the door to the cabinet body side properly.

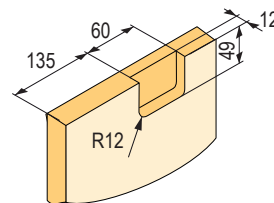
dimensional diagram



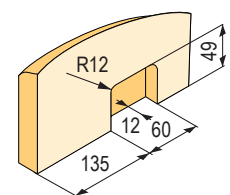
use of the end pieces of the guide profile



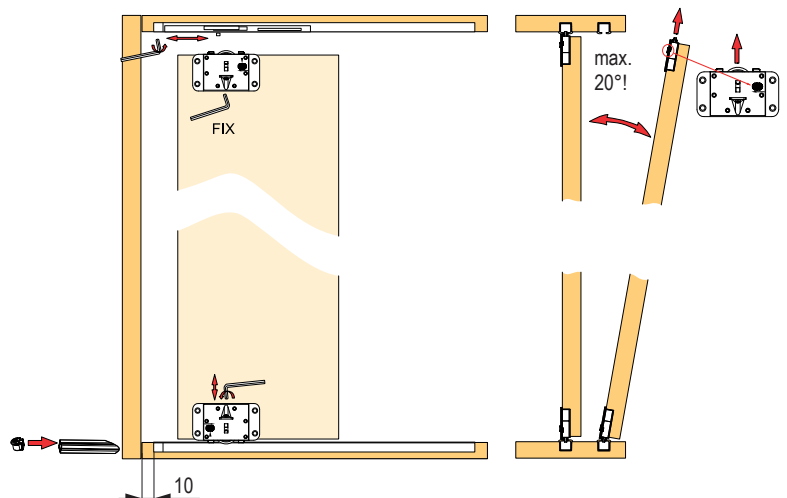
hole for top running component



hole for the bottom running component



doors deployment and adjustment



# sliding inset wardrobe doors

## With bottom guide



- high-quality fittings for smaller doors, without soft closing option

code	description
<b>DT395</b>	fitting set for 1 door - max. 30 kg

## Top/bottom guide

length (m)	top/bottom guide simple	top/bottom guide double
1,2	<b>DT395</b>	<b>DT397</b>
2	<b>DT391</b>	<b>DT398</b>
3	<b>DT392</b>	<b>DT399</b>

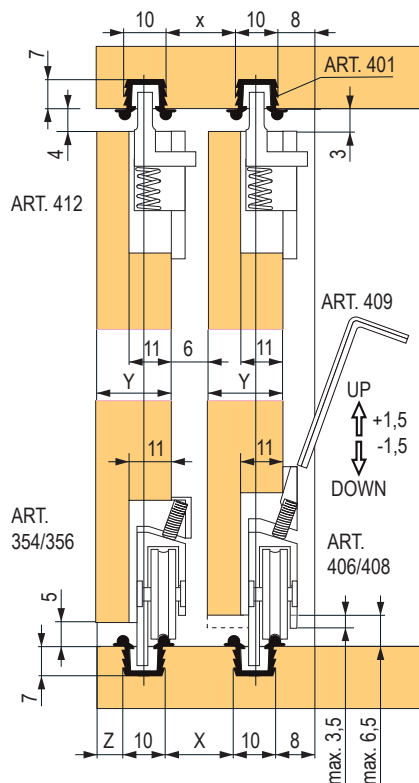
## Double guide cover

code	description
<b>460144</b>	rubber

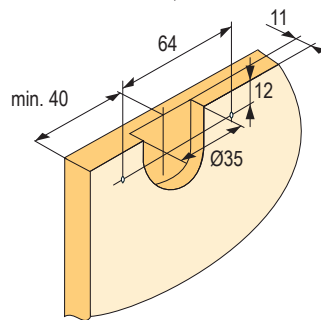


dimensional diagram - simple profile

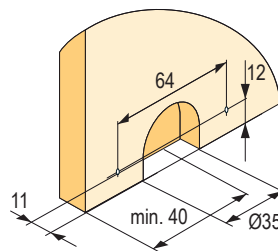
$Y = 18$   $X = 14$   $Z = 6,5$   
 $Y = 20$   $X = 16$   $Z = 8,5$   
 $Y = 22$   $X = 18$   $Z = 10,5$



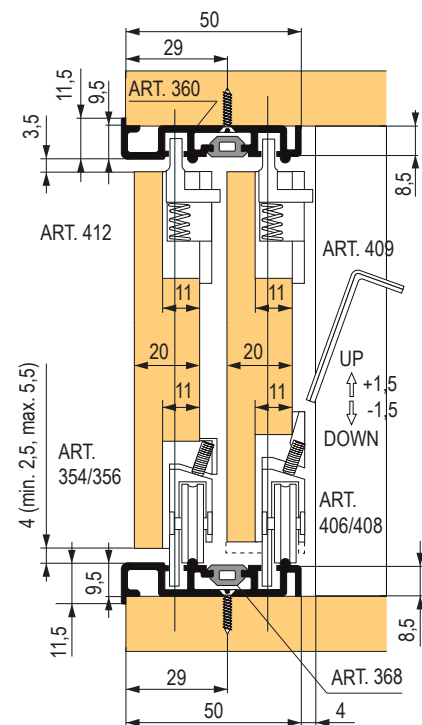
hole for the bottom running component



hole for top running component



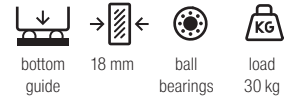
dimensional diagram - double profile



# sliding inset wardrobe doors



## StrongLine Baleo

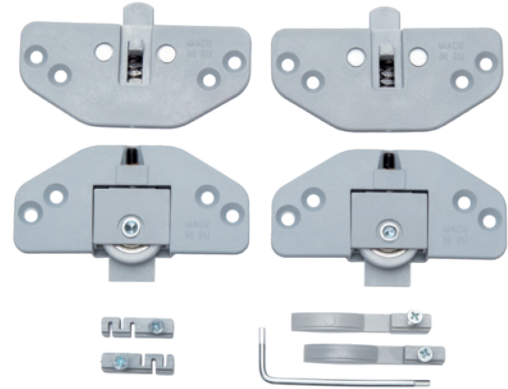


- high-quality fittings for smaller doors
- soft closing not available
- quiet running, high-quality bearings for long life service

code	description
<b>284637</b>	set of fittings for 1 door

**Set contains:**

- 2 top glides
- 2 bottom running components with ball bearing running components
- backstops
- hex key



## Top/bottom guide



length	top/bottom guide simple	top/bottom guide double
1,2 m	<b>284638</b>	<b>284641</b>
2 m	<b>284639</b>	<b>284642</b>
3 m	<b>284640</b>	<b>284643</b>

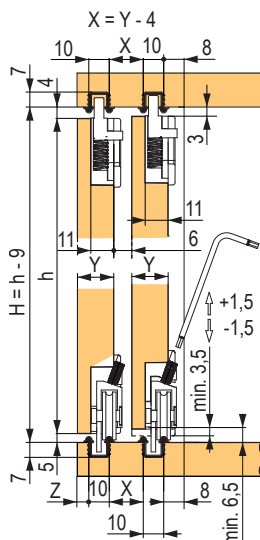
## Double guide end cap

code	length
<b>284644</b>	3 m

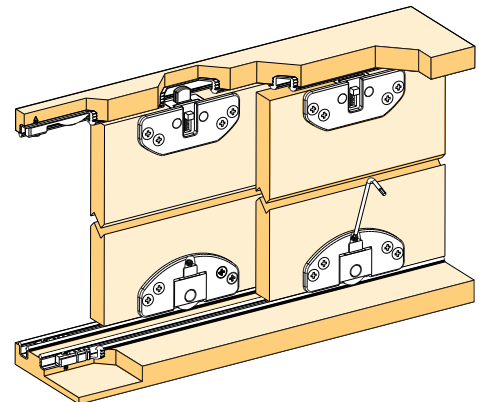
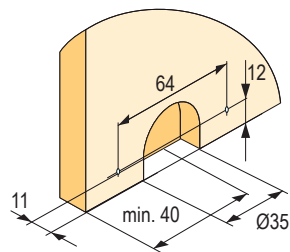
- material - grey plastic

dimensional diagram - simple profile

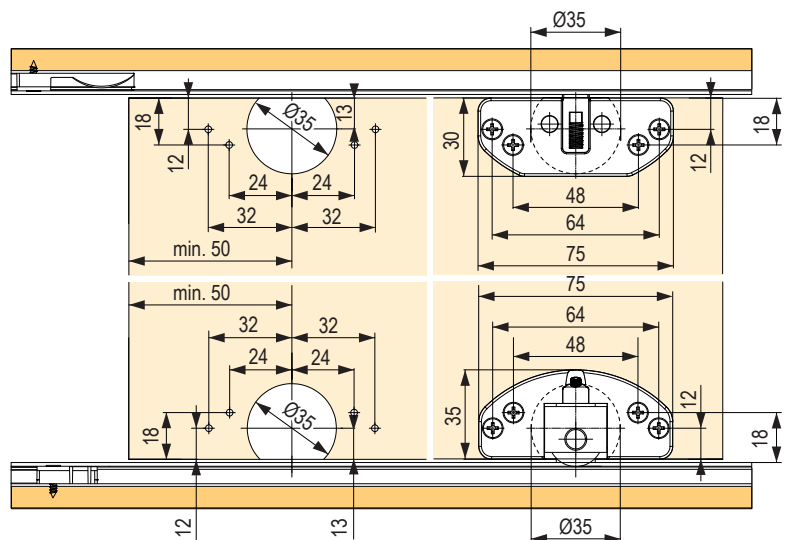
Y = 18 X = 14 Z = 6,5  
 Y = 20 X = 16 Z = 8,5  
 Y = 22 X = 18 Z = 10,5



hole for top/bottom running component



dimensional diagram



# sliding inset wardrobe doors

## StrongLine 1030 with bottom guide

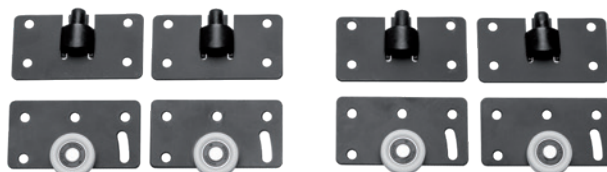


code	description
<b>92113</b>	set of fittings for 2 doors
<b>92114</b>	set of fittings for 3 doors

- set of fittings for inset sliding wardrobe doors with ball bearing, favourable price and simple assembly is its biggest advantage
- fittings include sets of top and bottom running components + backstop brakes in appropriate quantity
- insert the brake in the top rail before the final fastening

## Top/bottom guide

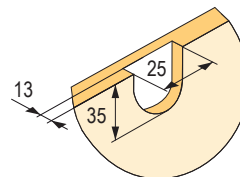
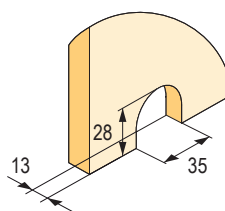
guide length	top guide
	top cover strip
1,2 m	<b>92115</b>
2 m	<b>92116</b>
3 m	<b>92117</b>



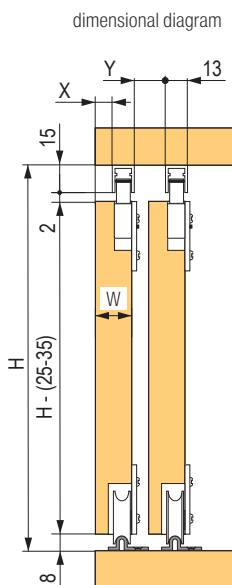
92113

hole for the bottom running component

hole for top running component



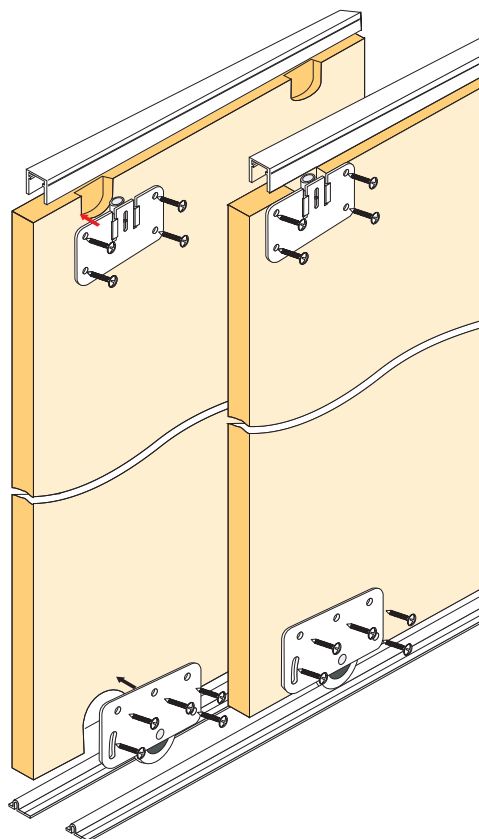
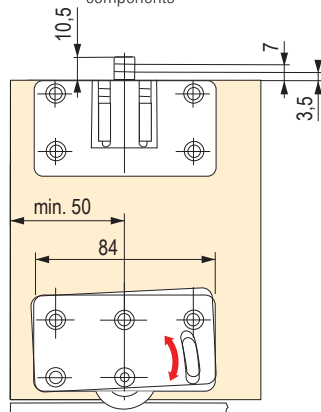
guide length	bottom guide	
	screw-on	for milling-in <sup>1)</sup>
1,2 m	<b>92107</b>	<b>92118</b>
2 m	<b>92108</b>	<b>92119</b>
3 m	<b>92109</b>	<b>92120</b>


<sup>1)</sup>milling width 2 mm, depth 6 mm


$$X = W - 13 \text{ mm}$$

$$Y = W - 8 \text{ mm}$$

positioning and dimensions of running components



# fittings for Micra C and V sliding doors



- simple fittings for lighter doors, soft closing not available
- for heights above 1.5 m, use an angle bracket to secure doors against falling out (Fig. 4)

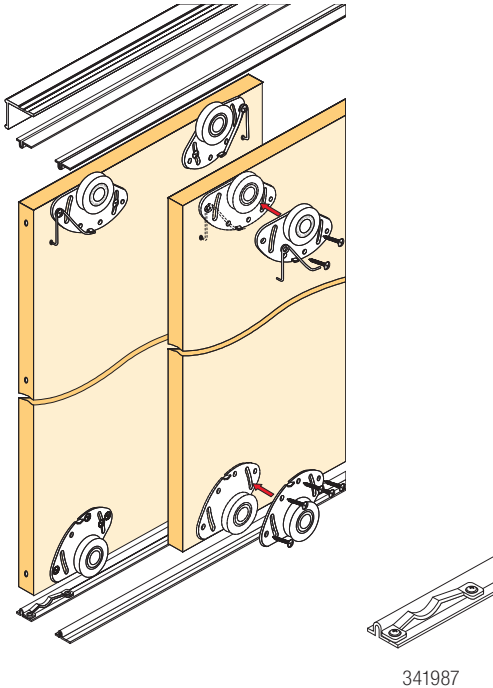
- set of fittings for one door contains top and bottom running components + screws
- any type of 16/18 mm handle profile may be used



**Two versions:**

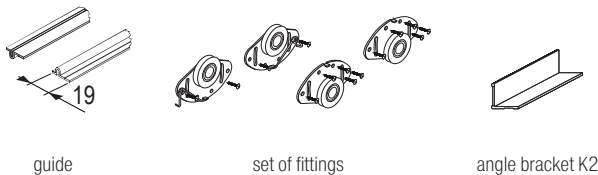
- Micra C – bottom guide with bend
- Micra V – bottom guide with groove

## Micra C



code	description
<b>98064</b>	set of fittings for 1 door
<b>341987</b>	brake (2 pcs in package)

guide length (m)	top/bottom guide silver	angle bracket K2 18 × 19 mm silver
1,7	<b>89150</b>	<b>89050</b>
2,35	<b>89151</b>	<b>89053</b>
3	<b>89152</b>	<b>89056</b>

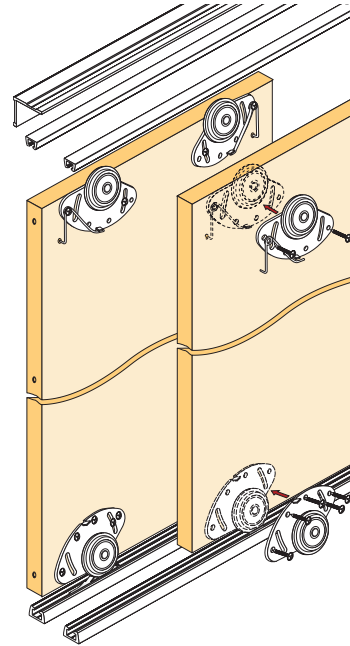


## Drilling jig

- material – metal

code	description
<b>351824</b>	on running components

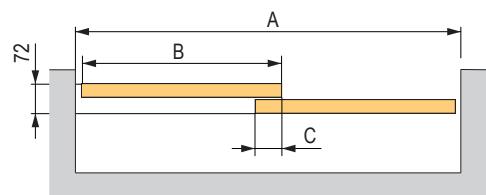
## Micra V



code	description
<b>391700</b>	set of fittings for 1 door
<b>89063</b>	bottom running component positioner (1 pc)

guide length (m)	top/bottom guide silver	angle bracket K2 18 × 19 mm silver
1,7	<b>84192</b>	<b>89050</b>
2,35	<b>84195</b>	<b>89053</b>
3	<b>84198</b>	<b>89056</b>

## Calculation of dimensions



door height (mm)	h	$h = H^{11} - 13$
------------------	---	-------------------

<sup>11</sup>H = Inner cabinet body height

**Protective foil for glass panels**

- the safety foil is intended for securing glass panes used in the furniture industry to prevent injury by fragments in case of breaking
- it is installed on the rear side of glass panels, on a clean and degreased surface
- when applying multiple strips, an overlap must be maintained, min. 20 mm

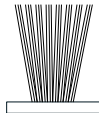


- material – polyolefin foil, thickness 0.1 mm, irremovable, transparent
- not suitable for interior glass partitions, windows, doors, etc.

code	width
<b>203857</b>	200 mm
<b>203859</b>	250 mm
<b>203860</b>	300 mm
<b>203861</b>	400 mm
<b>203862</b>	500 mm

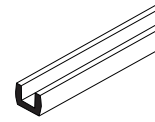
**Backstop and anti-dust brushes**

- anti-dust brushes in different heights and colours, used for soft closing of the door backstop and sealing the inside of the wardrobes against dust



white	grey	black	type	width (mm)	height (mm)
<b>305137</b>	<b>229433</b>	<b>409699</b>	slide-in	4,8	4
x	<b>89284</b>	x	self-adhesive		6
x	<b>196947</b>	x	slide-in		13
x	<b>95946</b>	x	slide-in	6,7	4
x	<b>89131</b>	x	self-adhesive		9
x	<b>361759</b>	x	self-adhesive		4
<b>306523</b>	<b>98067</b>	<b>409700</b>	slide-in	14	4

**Gasket for glass**



code	glass thickness (mm)
<b>89238</b>	4
<b>135164</b>	4,5
<b>89243</b>	6
<b>212607</b>	6,4
<b>132953</b>	8

- when applying safety foil, remove the edge of the foil so that it is not applied under the gasket

**Staples for self-adhesive brushes**

- prevents the brush from peeling off



223569

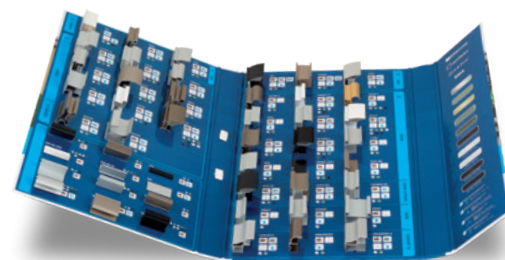


157926

code	description
<b>223569</b>	wire
<b>157926</b>	sheet metal

# frame system

## Surface treatment



**Use safety glass or mirror, or secure with a protective foil**

- use the form at [www.demos-trade.com](http://www.demos-trade.com) to calculate the dimensions of the individual components

code	description
<b>547242</b>	sampler of handle profiles 2026 – binder

## The different types

- the Sevroll system in the frame design enables wide use of glass panels also in combination with LDF 10 mm
- glass panels are fixed in the frame by gaskets, with the option of a wide range of panel thickness
- the size of the door is limited only by running component load capacity (50 kg)
- we recommend using the widest doors possible
- narrow and tall doors are less stable and especially in connection with a soft closer may cause bouncing and malfunction
- use safety glass or mirror, or secure with a protective foil

### SYSTEM 10 II

- length 2.7 m, for LDF thickness 10 mm, glass <sup>1)</sup>

colour	code
silver	<b>98073</b>
olive	<b>98074</b>
gold/brass	<b>542874</b>



### ROMEO II

- length 2.7 m, for LDF thickness 10 mm, glass <sup>1)</sup>

colour	code
silver	<b>135366</b>
olive	<b>135365</b>



### GEMINI

- length 2.7 m, for LDF thickness 10 mm, glass <sup>1)</sup>

colour	code
silver	<b>98070</b>
olive	<b>98071</b>
gold/brass	<b>542873</b>
black matt	<b>278164</b>
black structural	<b>525015</b>



<sup>1)</sup> use safety glass or mirror, or alternatively secure with protective film

range of protective films on p. 07.26

Demos trade is not liable for possible deflection of doors caused by using poor quality panels.

## FOX II

- length 2.7 m, for LDF thickness 10 mm, glass <sup>1)</sup>

colour	code
silver	<b>96421</b>
olive	<b>96427</b>
brushed olive	<b>96429</b>
brushed dark olive	<b>205074</b>
gold/brass	<b>542872</b>
white polished	<b>265065</b>
white matt	<b>489302</b>
graphite	<b>495587</b>
black polished	<b>395506</b>
black matt	<b>425057</b>
brushed black	<b>205077</b>
black structural	<b>524826</b>



## JULIA II

- length 2.7 m, for LDF thickness 10 mm, glass <sup>1)</sup>

colour	code
silver	<b>135344</b>
olive	<b>135342</b>



## VITARA

- length 2.7 m, for LDF thickness 10 mm, glass <sup>1)</sup>

colour	code
silver	<b>372604</b>
olive	<b>372605</b>
white polished	<b>372606</b>
black matt	<b>489309</b>



## LYNX

- length 2.7 m, for LDF thickness 10 mm, glass <sup>1)</sup>

colour	code
silver	<b>394690</b>



## LUX III

- length 2,7 m, 3 m, for LDF 10 mm, glass<sup>1)</sup>

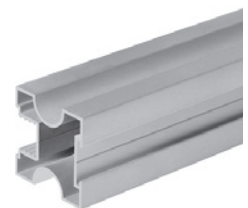
colour	code
silver	<b>196711</b>



## KARAT

- length 2.7 m, for LDF thickness 10 mm, glass <sup>1)</sup>

colour	code
silver	<b>223572</b>
olive	<b>223573</b>



<sup>1)</sup> use safety glass or mirror, or alternatively secure with protective film

 range of protective films on p. 7.26

- use the form at [www.demos-trade.com](http://www.demos-trade.com) to calculate the dimensions of the individual components

# handle profiles, guide and cover profiles for built-in sliding cabinets – 10 mm thick panel or glass

## Door handle summary table

handle profile / surface treatment	silver	olive	brushed olive	brushed dark olive	gold/brass	white polished	white matt	graphite	brushed black	black polished	black structural matt	black matt
Fox II 2,7 m	<b>96421</b>	<b>96427</b>	<b>96429</b>	<b>205074</b>	<b>542872</b>	<b>265065</b>	<b>489302</b>	<b>495587</b>	<b>205077</b>	<b>395506</b>	<b>524826</b>	<b>425057</b>
Gemini 2,7 m	<b>98070</b>	<b>98071</b>	x	x	<b>542873</b>	x	x	x	x	x	<b>525015</b>	<b>278164</b>
Julia II 2,7 m	<b>135344</b>	<b>135342</b>	x	x	x	x	x	x	x	x	x	x
Karat 2,7 m	<b>223572</b>	<b>223573</b>	x	x	x	x	x	x	x	x	x	x
Lux III 2,7 m	<b>196711</b>	x	x	x	x	x	x	x	x	x	x	x
Lux III 3 m	<b>489625</b>	<b>489948</b>	x	x	x	x	x	x	x	x	x	x
Lynx 2,7 m	<b>394690</b>	x	x	x	x	x	x	x	x	x	x	x
Romeo II 2,7 m	<b>135366</b>	<b>135365</b>	x	x	x	x	x	x	x	x	x	x
System 10 II 2,7 m	<b>98073</b>	<b>98074</b>	x	x	<b>542874</b>	x	x	x	x	x	x	x
Vitara 2,7 m	<b>372604</b>	<b>372605</b>	x	x	x	<b>372606</b>	x	x	x	x	x	<b>489309</b>

## Accessories – profile

### Silver

profile length	Gemini top guide	Elegant II bottom guide	Elegant II cover profile (mask)	Gemini bottom guide	top guide rail	bottom cover strip	H04/06 connecting strip	H04/07 connecting strip	H10 connecting strip	H10 Decor connecting strip	H30 Decor connecting strip <sup>1)</sup>
1,7 m	<b>89106</b>	<b>84385</b>	<b>318657</b>	<b>84410</b>	<b>89230</b>	<b>89228</b>	x	x	x	x	x
2,35 m	<b>89109</b>	<b>84388</b>	<b>318660</b>	<b>98057</b>	<b>89232</b>	<b>89226</b>	x	x	x	x	x
3 m	<b>89112</b>	<b>84391</b>	<b>345408</b>	<b>84412</b>	<b>89234</b>	<b>89224</b>	<b>503398</b>	<b>503399</b>	<b>89236</b>	<b>214745</b>	<b>89069</b>
4,05 m	<b>89115</b>	<b>84394</b>	<b>345776</b>	<b>98058</b>	x	x	x	x	x	x	x
6 m	<b>134933</b>	<b>350687</b>	<b>346118</b>	<b>159409</b>	x	x	x	x	x	x	x

### Olive

profile length	Gemini top guide	Elegant II bottom guide	Elegant II cover profile (mask)	Gemini bottom guide	top guide rail	bottom cover strip	H04/06 connecting strip	H04/07 connecting strip	H10 connecting strip	H10 Decor connecting strip	H30 Decor connecting strip <sup>1)</sup>
1,7 m	<b>89105</b>	<b>318666</b>	<b>318655</b>	<b>308647</b>	<b>89231</b>	<b>89229</b>	x	x	x	x	x
2,35 m	<b>89108</b>	<b>84387</b>	<b>318658</b>	<b>308653</b>	<b>89233</b>	<b>89227</b>	x	x	x	x	x
3 m	<b>89111</b>	<b>84390</b>	<b>345409</b>	<b>308657</b>	<b>89235</b>	<b>89225</b>	<b>503400</b>	<b>503401</b>	<b>89237</b>	<b>227193</b>	<b>89071</b>
4,05 m	<b>89114</b>	<b>84393</b>	<b>345777</b>	<b>308666</b>	x	x	x	x	x	x	x
6 m	<b>134934</b>	<b>350688</b>	<b>346119</b>	<b>308668</b>	x	x	x	x	x	x	x

<sup>1)</sup> profile H30 is connected with handle profiles by connecting screw 89244 and it also strengthens the door construction

# guide and cover profiles for built-in sliding wardrobes – 10 mm thick panel or glass

## Brushed olive

profile length	Gemini top guide	Elegant II bottom guide	Elegant II cover profile (mask)	top guide rail	bottom cover strip	H10 connecting strip
1,7 m	<b>119459</b>	<b>120868</b>	<b>345401</b>	<b>119414</b>	<b>119417</b>	×
2,35 m	<b>120864</b>	<b>120869</b>	<b>345404</b>	<b>119415</b>	<b>119421</b>	×
3 m	<b>120865</b>	<b>120870</b>	<b>345410</b>	<b>119416</b>	<b>119422</b>	<b>121028</b>
4,05 m	<b>120867</b>	<b>120871</b>	<b>346114</b>	×	×	×
6 m	<b>225370</b>	<b>225367</b>	<b>346120</b>	×	×	×

## Brushed dark olive

profile length	Gemini top guide	Elegant II bottom guide	Elegant II cover profile (mask)	top guide rail	bottom cover strip	H10 connecting strip
1,7 m	<b>205162</b>	<b>205089</b>	<b>345402</b>	<b>205103</b>	<b>205170</b>	×
2,35 m	<b>205164</b>	<b>205078</b>	<b>345405</b>	<b>205156</b>	<b>205172</b>	×
3 m	<b>205166</b>	<b>205098</b>	<b>345411</b>	<b>205158</b>	<b>205174</b>	×
4,05 m	<b>205168</b>	<b>205087</b>	<b>346115</b>	×	×	×
6 m	×	×	×	×	×	×

## Gold/brass

profile length	Gemini top guide	Elegant II bottom guide	Elegant II cover profile (mask)	top guide rail	bottom cover strip	H10 connecting strip
1,7 m	<b>542704</b>	<b>542698</b>	<b>542674</b>	<b>542864</b>	<b>542867</b>	×
2,35 m	<b>542705</b>	<b>542700</b>	<b>542675</b>	<b>542865</b>	<b>542868</b>	×
3 m	<b>542583</b>	<b>542591</b>	<b>542584</b>	<b>542866</b>	<b>542869</b>	<b>542870</b>
4,05 m	<b>542592</b>	<b>542576</b>	<b>542590</b>	×	×	×
6 m	<b>542633</b>	<b>542688</b>	<b>542676</b>	×	×	×

## White polished

profile length	Gemini top guide	Elegant II bottom guide	Elegant II cover profile (mask)	top guide rail	bottom cover strip	H10 connecting strip
1,7 m	<b>276751</b>	<b>276744</b>	<b>318656</b>	<b>276737</b>	<b>276736</b>	×
2,35 m	<b>267882</b>	<b>276745</b>	<b>318659</b>	<b>267944</b>	<b>267954</b>	×
3 m	<b>252566</b>	<b>252568</b>	<b>345413</b>	<b>265066</b>	<b>265067</b>	<b>276739</b>
4,05 m	<b>276749</b>	<b>276746</b>	<b>346117</b>	×	×	×
6 m	<b>311586</b>	<b>308645</b>	<b>346123</b>	×	×	×

## White matt

profile length	Gemini top guide	Elegant II bottom guide	Elegant II cover profile (mask)	top guide rail	bottom cover strip	H10 connecting strip
1,7 m	<b>394802</b>	<b>394792</b>	<b>394848</b>	<b>497670</b>	<b>497666</b>	×
2,35 m	<b>394813</b>	<b>394795</b>	<b>395039</b>	<b>497672</b>	<b>497668</b>	×
3 m	<b>233016</b>	<b>276743</b>	<b>395041</b>	<b>497673</b>	<b>497669</b>	<b>497953</b>
4,05 m	<b>394815</b>	<b>394796</b>	<b>395042</b>	×	×	×
6 m	<b>394824</b>	<b>394800</b>	<b>394831</b>	×	×	×

## Graphite

profile length	Gemini top guide	Elegant II bottom guide	Elegant II cover profile (mask)	top guide rail	bottom cover strip	H10 connecting strip
1,7 m	<b>494742</b>	<b>494741</b>	<b>496356</b>	<b>495477</b>	<b>495473</b>	×
2,35 m	<b>494669</b>	<b>494692</b>	<b>494693</b>	<b>495616</b>	<b>495474</b>	×
3 m	<b>494730</b>	<b>494739</b>	<b>494740</b>	<b>495617</b>	<b>495475</b>	<b>496358</b>
4,05 m	<b>494670</b>	<b>494672</b>	<b>494703</b>	×	×	×
6 m	<b>495629</b>	<b>496355</b>	<b>496357</b>	×	×	×

# guide and cover profiles and accessories for built-in sliding cabinets – 10 mm thick panel or glass

## Brushed black

profile length	Gemini top guide	Elegant II bottom guide	Elegant II cover profile (mask)	top guide rail	bottom cover strip	H10 connecting strip
1,7 m	<b>205163</b>	<b>205090</b>	<b>345403</b>	<b>205105</b>	<b>205171</b>	×
2,35 m	<b>205165</b>	<b>205079</b>	<b>345407</b>	<b>205157</b>	<b>205173</b>	×
3 m	<b>205167</b>	<b>205186</b>	<b>345412</b>	<b>205159</b>	<b>205175</b>	<b>205161</b>
4,05 m	<b>205169</b>	<b>205088</b>	<b>346116</b>	×	×	×
6 m	<b>225372</b>	<b>225369</b>	<b>346122</b>	×	×	×

## Black polished

profile length	Gemini top guide	Elegant II bottom guide	Elegant II cover profile (mask)	top guide rail	bottom cover strip	H10 connecting strip
1,7 m	<b>405407</b>	<b>405393</b>	<b>405427</b>	<b>405377</b>	<b>405369</b>	×
2,35 m	<b>398096</b>	<b>398188</b>	<b>398553</b>	<b>405379</b>	<b>405375</b>	×
3 m	<b>405423</b>	<b>405403</b>	<b>405428</b>	<b>405382</b>	<b>405376</b>	<b>395508</b>
4,05 m	<b>405425</b>	<b>405404</b>	<b>405429</b>	×	×	×
6 m	<b>405426</b>	<b>405406</b>	<b>405430</b>	×	×	×

## Black matt

profile length	Gemini top guide	Elegant II bottom guide	Elegant II cover profile (mask)	top guide rail	bottom cover strip	H04/06 connecting strip	H04/07 connecting strip	H10 connecting strip	H30 Decor connecting strip <sup>1)</sup>
1,7 m	<b>422008</b>	<b>422007</b>	<b>452751</b>	<b>422043</b>	<b>422027</b>	×	×	×	×
2,35 m	<b>409670</b>	<b>409678</b>	<b>409679</b>	<b>452608</b>	<b>422029</b>	×	×	×	×
3 m	<b>412229</b>	<b>412231</b>	<b>414086</b>	<b>452734</b>	<b>422030</b>	<b>503403</b>	<b>503404</b>	<b>452761</b>	<b>452604</b>
4,05 m	<b>409674</b>	<b>409676</b>	<b>409680</b>	×	×	×	×	×	×
6 m	<b>452736</b>	<b>452743</b>	<b>452757</b>	×	×	×	×	×	×

Soft closers, see p. 07.35

<sup>1)</sup> profile H30 is connected with handle profiles by connecting screw 89244 and it also strengthens the door construction

## Black structural

profile length	Gemini top guide	Elegant II bottom guide	Elegant II cover profile (mask)	top guide rail	bottom cover strip	H10 connecting strip
1,7 m	<b>526516</b>	<b>526506</b>	<b>526524</b>	<b>526496</b>	<b>526476</b>	×
2,35 m	<b>526519</b>	<b>526509</b>	<b>526525</b>	<b>526497</b>	<b>526477</b>	×
3 m	<b>526520</b>	<b>526510</b>	<b>526526</b>	<b>526500</b>	<b>526478</b>	<b>526501</b>
4,05 m	<b>526521</b>	<b>526511</b>	<b>526527</b>	×	×	×
6 m	<b>526522</b>	<b>526512</b>	<b>526528</b>	×	×	×

Soft closers, see p. 07.35

## guide and cover profiles and accessories for built-in sliding cabinets – panel thickness 10 mm or glass

### Accessories – for models Fox II, Lux III, System 10 II and Vitara

code	accessories – other
<b>89265</b>	set of top running components
<b>328321</b>	set of bottom running components for Elegant II guide
<b>229441</b>	set of bottom running components for Gemini guide
<b>89244</b>	connecting screw
<b>98067</b>	backstop brush 14 × 4 mm grey
<b>306523</b>	backstop brush 14 × 4 mm white
<b>409700</b>	backstop brush 14 × 4 mm black
<b>95946</b>	anti-dust brush 4.8 × 13 mm grey
<b>89063</b>	bottom positioner
<b>298035</b>	top positioner
<b>98019</b>	screw for attaching bottom guide
<b>89238</b>	glass gasket 10/4 mm
<b>135164</b>	glass gasket 10/4.5 mm
<b>89243</b>	glass gasket 10/6 mm
<b>212607</b>	glass gasket 10/6.4 mm
<b>132953</b>	glass gasket 10.1/8 mm

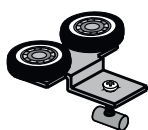
### Accessories – for Gemini, Julia II, Karat, Lynx and Romeo II models

code	accessories – other
<b>228009</b>	set of top running components
<b>328321</b>	set of bottom running components for Elegant II guide
<b>229441</b>	set of bottom running components for Gemini guide
<b>89244</b>	connecting screw
<b>98067</b>	backstop brush 14 × 4 mm grey
<b>306523</b>	backstop brush 14 × 4 mm white
<b>409700</b>	backstop brush 14 × 4 mm black
<b>89063</b>	bottom positioner
<b>298035</b>	top positioner
<b>98019</b>	screw for attaching bottom guide
<b>89238</b>	glass gasket 10/4 mm
<b>135164</b>	glass gasket 10/4.5 mm
<b>89243</b>	glass gasket 10/6 mm
<b>212607</b>	glass gasket 10/6.4 mm
<b>132953</b>	glass gasket 10.1/8 mm

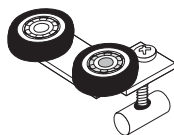


# accessories for fitted wardrobes, sliding – panel thickness 10 mm or glass

## Set of top running components



228009

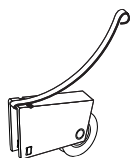


89265

code	description
<b>228009</b>	set of top symmetric running components
<b>89265</b>	set of top asymmetric running components

- varies according to the handle profile, specified for each type

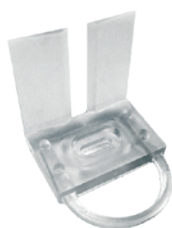
## Set of bottom running components



328321

code	description
<b>328321</b>	set of bottom running components Elegant II
<b>229441</b>	set of bottom running components Gemini

## Positioners



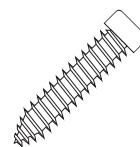
code	description
<b>298035</b>	for top running component

- brake for the top running component, it keeps the door in the selected position
- mounted firmly into the top guide with screw



code	description
<b>89063</b>	for bottom running component

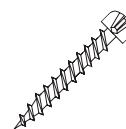
## Connecting screw



code	description
<b>89244</b>	6,3 × 32

- for connecting frame (4 pcs / door) and dividing (only dividing profile H30) profiles with handle profiles
- when using dividing profiles H30, a clearance of ca. 2 mm must be left between individual lamino parts for dilatation of panels

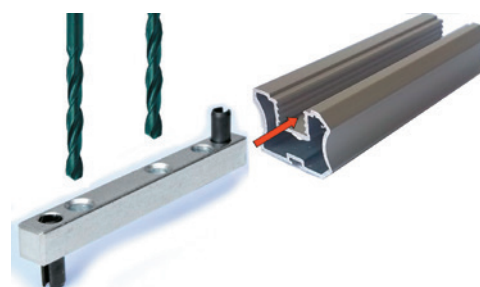
## Screw for bottom guide



code	description
<b>98019</b>	2,5 × 18

- serves to fasten simple bottom guide
- narrow head allows mounting straight into the bottom guide groove; a hole of 2.5 mm must be pre-drilled

## Mounting and drilling templates and tools



code	description
<b>128842</b>	step drill bit 6.5/9.5 mm
<b>129677</b>	mounting preparation

- a simple tool for drilling holes in the handle profile
- for pre-drilling of holes in handles in correct positions, without the need of measuring, marking, etc.
- notice - the tool cannot be used in other systems using different types of profiles



# StrongLine

something for everyone



Strong brand fittings always combine good quality with an equally good price. The same applies to StrongLine door fittings.

Choose the fitting version that best suits your project and rest assured that it can be relied upon in every respect.

[www.demos-trade.com](http://www.demos-trade.com)

# soft closers – 10 mm thick panel or glass

## Sevroll

Standard soft closers for systems 10 and 18 mm

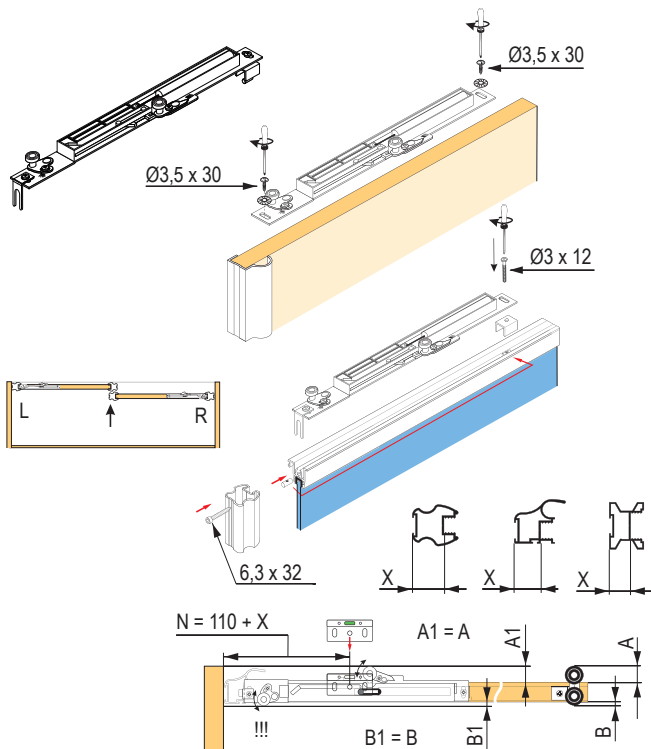
- replacement for top running components
- adjustable width – can be used for conventional and COMFORT guide
- for correct operation, correct adjustment with respect to the rail width and positions in the rail must be carried out
- handle profile must not touch the rails, distances must be the same as when using conventional running components in order to prevent door torsion

code	description
<b>227185</b>	for door weight 14–25 kg
<b>227187</b>	for door weight 25–50 kg

- package contains 2 pcs - right + left
- soft closers are also available individually, right and left versions

**Attention!**

Before inserting the doors, stretch the soft closer trap.  
Do not install positioner if using soft closers.



## Mini SV

- for door weights up to 25/40/60 kg
- 3 heights of trap in the package, for fine adjustment
- when using the Single simple rail, gently grind the bottom edges of the trap so it touches the rail with its entire surface

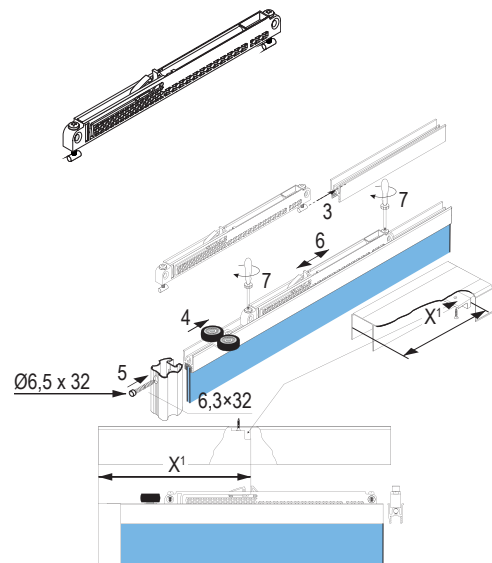
code	description
<b>318662</b>	Mini SV-25 (14–25 kg)
<b>283956</b>	Mini SV-40 (25–40 kg)
<b>351743</b>	Mini SV-60 (40–60 kg)

**Important**

When the door is closed for the first time, the soft closers are not activated. Close the door slowly to activate the soft closers (click).

Rapid impact can damage the soft closer as the door strikes the end position without soft closing.

Always demonstrate before handing the product to the customer in order to prevent possible complications.



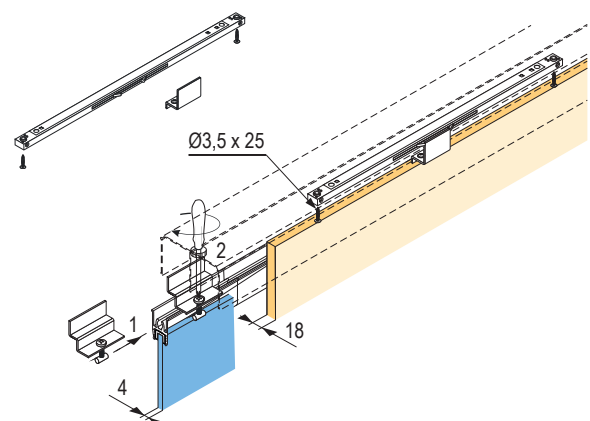
<sup>1)</sup>X = optional distance, see assembly manual

## CENTRAL SV

- double-sided soft closer, for the middle door; it allows opening to both sides, stops the middle door in a central position from both sides
  - for door weights up to 25/40 kg
  - when using in the Single simple rail, gently grind the bottom edges of the trap so it touches the rail with its entire surface
- !** Note that the system requires reducing the door height, the total door height must be 44 mm less than the height of the hole.

code	description
<b>318663</b>	Central SV-25 (double-sided) up to 25 kg
<b>283955</b>	Central SV-40 (double-sided) up to 40 kg

- detailed instructions on individual soft closers are available for download on the portal, identified by a code



# bottom and simple guides and accessories for built-in sliding cabinets – 10 mm thick panel or glass

## Countersink transitional bottom guide

length of the profile (m)	silver	black matt	silver	olive	
	type M (for milling-in)	type N (surface mounting)		type M (for milling-in)	type N (surface mounting)
3	<b>213609</b>	<b>497951</b>	<b>197753</b>	<b>223405</b>	<b>197755</b>
6	<b>308673</b>	×	<b>251132</b>	×	<b>279078</b>
end pieces	×	×	<b>212613</b>	×	×

## Simple guide

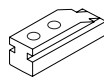
length of the profile (m)	silver	black matt	silver	olive	
	top guide		bottom guide SMART	top guide	bottom guide SMART
1,7	<b>89029</b>	×	<b>84192</b>	<b>89028</b>	<b>84191</b>
2,35	<b>89032</b>	×	<b>84195</b>	<b>89031</b>	<b>84194</b>
3	<b>89035</b>	<b>497952</b>	<b>84198</b>	<b>89034</b>	<b>84197</b>
6	<b>279077</b>	×	×	×	×

• for correct assembly, we recommend using screws 98019 (2.5 × 18 mm)

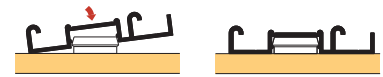
## Accessories

### Brake for the bottom guide



code	description
<b>212616</b>	for type M and N

### Gemini bottom guide bracket

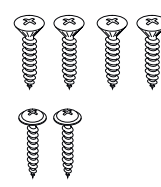
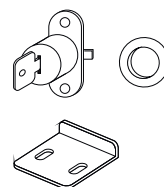
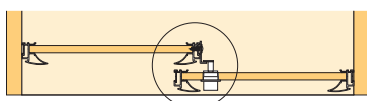


code	description
<b>387424</b>	for Gemini guide

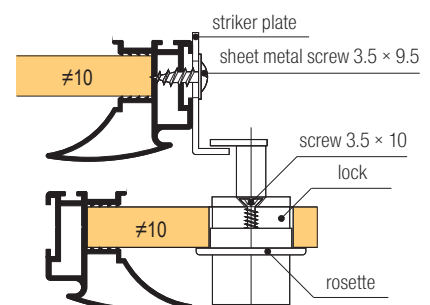
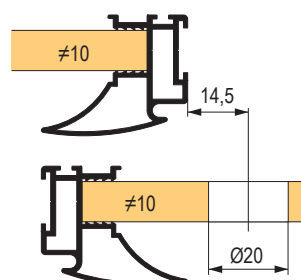
## Sliding wardrobe lock

- for wooden panel 10 mm + 18 mm
- cannot be used for glass panels
- blocks doors against each other, does not have a safety function, doors can be unhinged, etc.

code	description
<b>216363</b>	push



Screw dimensions:  
 • 3.5 × 10  
 • 3.5 × 16  
 • 3.9 × 9.5

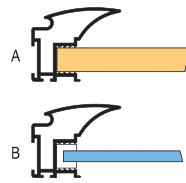
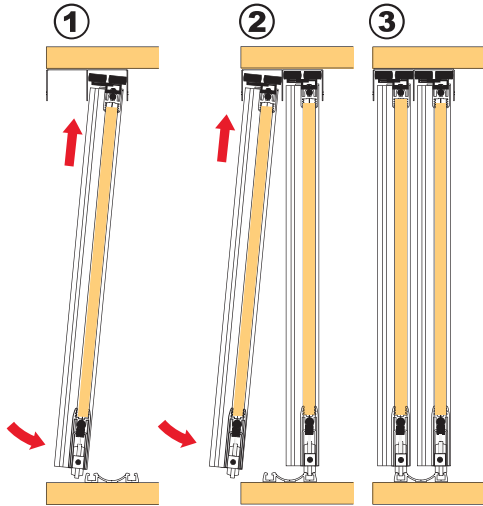


# example of mounting of built-in sliding cabinet – 10 mm thick panel or glass

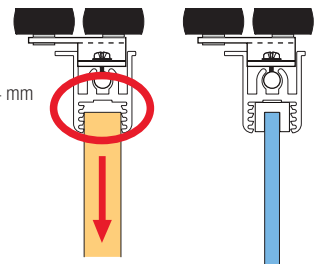
## Fox II

• mounting diagrams for other handles are available for download on [www.demos-trade.com](http://www.demos-trade.com)

**!** Remember dilatation 4 mm for wooden panels to prevent the danger of doors bending.

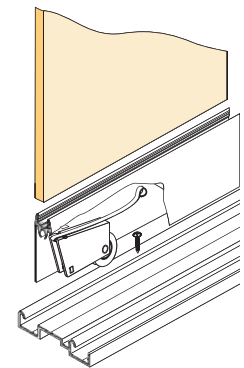
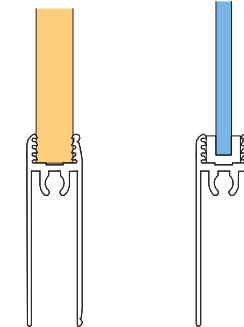
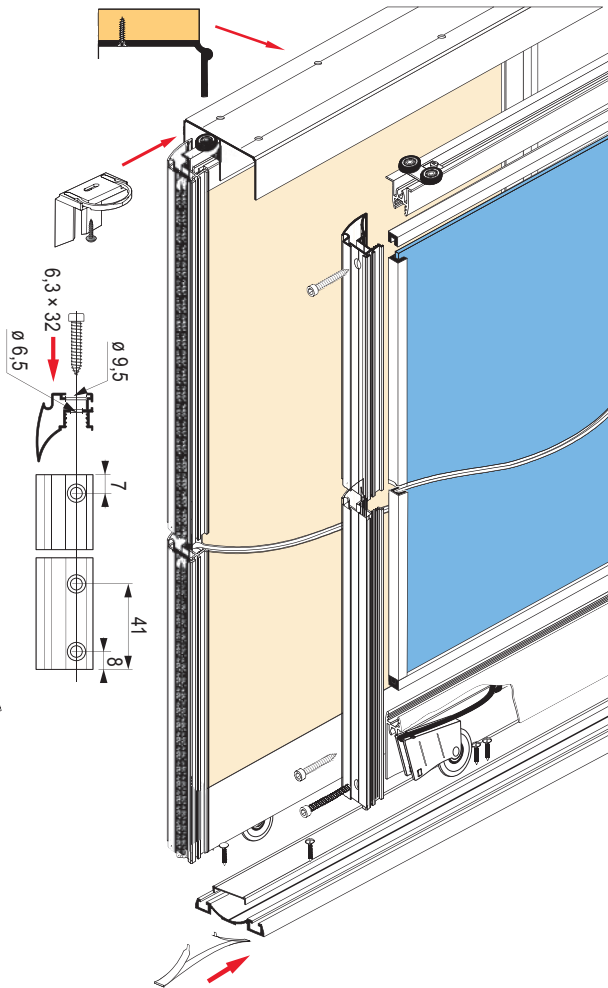
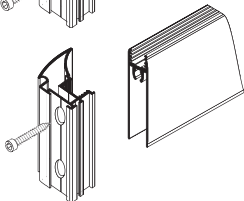
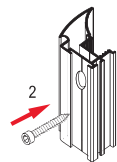
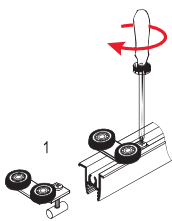


dilatation 4 mm



A

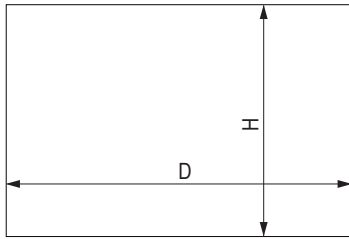
B



**i** bottom guide – Gemini

**i** bottom guide – Elegant II

# calculation of dimensions of built-in sliding cabinets – 10 mm thick panel or glass



For calculation of dimensions of individual components, use the form on the website [www.demos-trade.com](http://www.demos-trade.com), section Sales Support / Special Orders.

handle profile	door height and handle profile length h	panel height 10 mm hp	mirror/glass panel height hl	door width d	panel width 10 mm dp	mirror/glass panel width dl	guide rail and cover strip length P
Fox II	h = H - 40 mm	hp = h - 64 mm	hl = hp	d = (D - 3 mm + Z) : N	dp = d - 20 mm	dl = dp - 4 mm	P = d - 37 mm
Gemini					dp = d - 46 mm		P = d - 62 mm
Julia II					dp = d - 25 mm		P = d - 42 mm
Karat					dp = d - 41 mm		P = d - 58 mm
Lux III					dp = d - 25 mm		P = d - 42 mm
Lynx					dp = d - 41 mm		P = d - 58 mm
Romeo					dp = d - 25 mm		P = d - 42 mm
System 10					dp = d - 36 mm		P = d - 53 mm
Vitara					dp = d - 20 mm		P = d - 36 mm

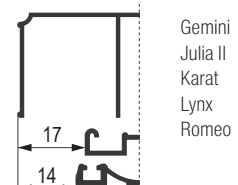
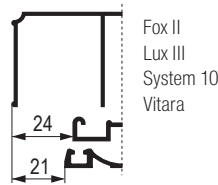
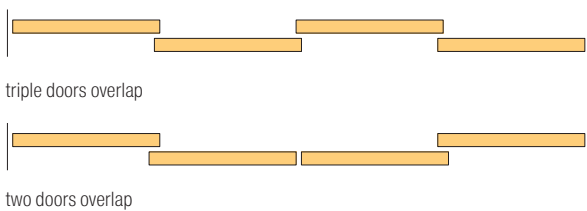
H - inner hole height in mm

Z - overlap width in mm

W - inner hole width in mm

N - number of doors

handle profile	number of doors - N	2	3	4 (two doors overlaps)	4 (triple doors overlap)	5
overlap width in mm - Z	Fox II	36	72	69	108	144
	Gemini	32	64	61	96	128
	Julia II	22	44	41	66	88
	Karat	30	60	57	90	120
	Lux III	40	80	77	120	160
	Lynx	30	60	57	90	120
	Romeo	22	44	41	66	88
	System 10	35	70	67	105	140
	Vitara	20	39	36	59	78



Fox II



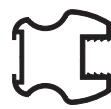
Lux III



System 10



Vitara



Gemini



Julia II



Karat



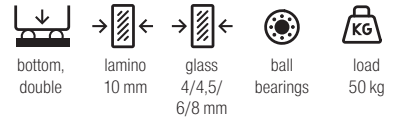
Lynx



Romeo

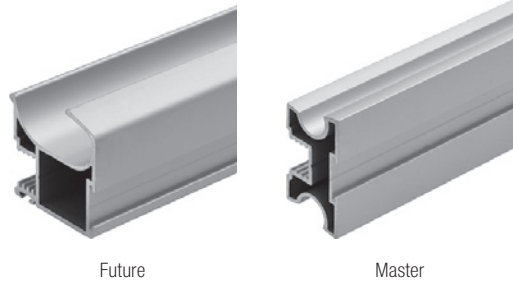
# special fittings for built-in sliding cabinets – 10 mm thick panel or glass

**For door heights up to 3.5 m**



- this series uses COMFORT top guide and DOUBLER bottom guide
- cannot be combined with other guiding systems
- solid wood profiles allow the installation of tall doors
- decorative materials such as Decoacryl can also be used as panel infill
- we recommend using the widest doors possible
- narrow and tall doors are less stable and especially in connection with a soft closer may cause bouncing and malfunction
- use safety glass or mirror, or secure with a protective foil

handle profile / surface treatment	silver	olive
Future 2,7 m	<b>179229</b>	<b>179230</b>
Future 3,5 m	<b>179224</b>	<b>179227</b>
Master 2,7 m	<b>100102</b>	<b>100103</b>
Master 3 m	<b>100105</b>	<b>100106</b>



Future

Master

## Accessories – profile

### Silver

profile length	Comfort top guide	Doubler II bottom guide	Doubler II cover profile (mask)	top guide rail	bottom cover strip	H04/06 connecting strip	H04/07 connecting strip	H10 connecting strip	H10 Decor connecting strip	H30 Decor connecting strip <sup>1)</sup>
1,7 m	<b>98110</b>	<b>163106</b>	<b>163122</b>	<b>89230</b>	<b>89228</b>	x	x	x	x	x
2,35 m	<b>227321</b>	<b>163107</b>	<b>163123</b>	<b>89232</b>	<b>89226</b>	x	x	x	x	x
3 m	<b>227324</b>	<b>163108</b>	<b>163125</b>	<b>89234</b>	<b>89224</b>	<b>503398</b>	<b>503399</b>	<b>89236</b>	<b>214745</b>	<b>89069</b>
4,05 m	<b>98079</b>	<b>98107</b>	<b>162670</b>	x	x	x	x	x	x	x
6 m	<b>227196</b>	<b>163110</b>	<b>163128</b>	x	x	x	x	x	x	x

### Olive

profile length	Comfort top guide	Doubler II bottom guide	Doubler II cover profile (mask)	top guide rail	bottom cover strip	H04/06 connecting strip	H04/07 connecting strip	H10 connecting strip	H10 Decor connecting strip	H30 Decor connecting strip <sup>1)</sup>
1,7 m	<b>98111</b>	<b>163111</b>	<b>163129</b>	<b>89231</b>	<b>89229</b>	x	x	x	x	x
2,35 m	<b>98113</b>	<b>163112</b>	<b>163131</b>	<b>89233</b>	<b>89227</b>	x	x	x	x	x
3 m	<b>98115</b>	<b>163113</b>	<b>163132</b>	<b>89235</b>	<b>89225</b>	<b>503400</b>	<b>503401</b>	<b>89237</b>	<b>227193</b>	<b>89071</b>
4,05 m	<b>98117</b>	<b>163114</b>	<b>163133</b>	x	x	x	x	x	x	x
6 m	<b>227196</b>	<b>163110</b>	<b>163128</b>	x	x	x	x	x	x	x

<sup>1)</sup> profile H30 is connected with handle profiles by connecting screw 89244 and it also strengthens the door construction

# accessories special fittings for built-in sliding cabinets – 10 mm thick panel or glass

Future	
code	accessories – other
<b>98048</b>	set of top running components
<b>328321</b>	set of bottom running components
<b>89244</b>	connecting screw
<b>98067</b>	backstop brush 14 × 4 mm grey
<b>95946</b>	anti-dust brush 4.8 × 13 mm grey
<b>89063</b>	bottom positioner
<b>298035</b>	top positioner
<b>98019</b>	screw for attaching bottom guide
<b>89238</b>	glass gasket 10/4 mm
<b>135164</b>	glass gasket 10/4.5 mm
<b>89243</b>	glass gasket 10/6 mm
<b>212607</b>	glass gasket 10/6.4 mm
<b>132953</b>	glass gasket 10.1/8 mm

Master	
code	accessories – other
<b>229442</b>	set of top running components
<b>328321</b>	set of bottom running components
<b>89244</b>	connecting screw
<b>98067</b>	backstop brush 14 × 4 mm grey
<b>89063</b>	bottom positioner
<b>298035</b>	top positioner
<b>98019</b>	screw for attaching bottom guide
<b>89238</b>	glass gasket 10/4 mm
<b>135164</b>	glass gasket 10/4.5 mm
<b>89243</b>	glass gasket 10/6 mm
<b>212607</b>	glass gasket 10/6.4 mm
<b>132953</b>	glass gasket 10.1/8 mm

Soft closers, see p. 07:35



bottom running component



top running components



bottom positioner



top positioner

## Calculation table:

handle profile	door height and handle profile length h	panel height 10 mm hp	mirror/glass panel height hl	door width d	panel width 10 mm dp	panel width 4 mm dl	guide rail and cover strip length P
Future	h = H - 40 mm	hp = h - 64 mm	hl = hp	d = (D - 3 mm + Z) : N	dp = d - 51 mm	dl = dp - 4 mm	P = d - 68 mm
Master					dp = d - 25 mm		P = d - 42 mm

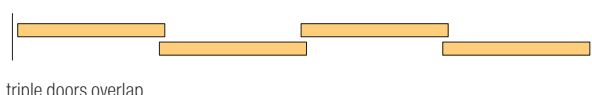
H - inner hole height in mm

Z - overlap width in mm

W - inner hole width in mm

N - number of doors

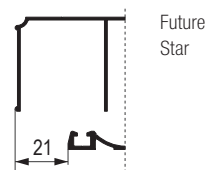
handle profile	number of doors - N	2	3	4 (two doors overlaps)	4 (triple doors overlap)	5
Future	overlap width in mm - Z	37	74	71	111	148
Master		22	44	41	66	88



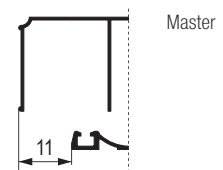
triple doors overlap



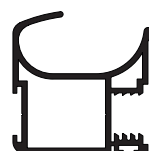
two doors overlap



Future Star



Master



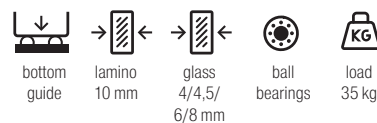
Future



Master

# Simple Blue system for built-in wardrobes – panel thickness 10 mm or glass

## Handles



- Simple Blue system in the frame design allows the use of glass panels in combination with LDF 10 mm
- glass panes (4–4.5 mm) are fixed in the frame using gaskets, with the option of a wide range of panel thickness
- we recommend using the widest doors possible; narrow tall doors are less stable
- ☑ glass panel infills must be backed with safety film (p. 07.33 - 35)

handle profile / surface treatment	silver	olive
Fala	<b>215233</b>	<b>223550</b>
Polo	<b>215234</b>	<b>223551</b>



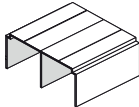
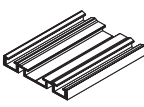

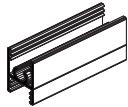

Fala



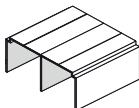
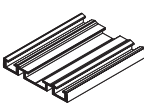
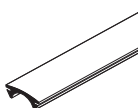
Polo

## Accessories – profile

### Silver

profile length	Blue top guide	Blue-V bottom guide	end cap for Blue-V <sup>1)</sup> bottom guide	top guide rail / connecting strip	bottom cover strip
1,5 m	<b>349796</b>	<b>349810</b>	<b>216362</b>	<b>224146</b>	<b>224152</b>
2 m	x	<b>349476</b>		<b>224147</b>	<b>224153</b>
3 m	<b>349802</b>	<b>349814</b>		<b>222573</b>	<b>222574</b>
4 m	<b>349804</b>	<b>349819</b>		x	x
6 m	x	<b>349818</b>		x	x
					

### Olive

profile length	Blue top guide	Blue-V bottom guide	end cap for Blue-V <sup>1)</sup> bottom guide
1,5 m	<b>349796</b>	<b>349810</b>	<b>216362</b>
2 m	<b>349475</b>	<b>349476</b>	
3 m	<b>349802</b>	<b>349814</b>	
4 m	<b>349804</b>	<b>349819</b>	
6 m	x	<b>349818</b>	
			

<sup>1)</sup> serves to cover screws, material – transparent plastic, sold by metres

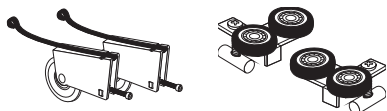
# handle profiles for built-in sliding cabinets – 10 mm thick panel or glass

Fala	
code	accessories – other
<b>349942</b>	set of top running components
<b>229446</b>	set of bottom running components for Blue-V guide
<b>98067</b>	backstop brush 14 × 4 mm grey
<b>229681</b>	bottom positioner
<b>298035</b>	top positioner
<b>350024</b>	Simple mini SV soft closer 14–25 kg
<b>293776</b>	Simple mini SV soft closer 25–40 kg
<b>89238</b>	glass gasket 10/4 mm
<b>135164</b>	glass gasket 10/4.5 mm
<b>252987</b>	mounting preparation

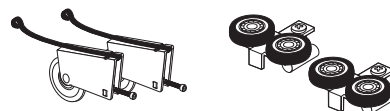
Polo	
code	accessories – other
<b>349943</b>	set of top running components
<b>229446</b>	set of bottom running components for Blue-V guide
<b>98067</b>	backstop brush 14 × 4 mm grey
<b>229681</b>	bottom positioner
<b>298035</b>	top positioner
<b>350024</b>	Simple mini SV soft closer 14–25 kg
<b>293776</b>	Simple mini SV soft closer 25–40 kg
<b>89238</b>	glass gasket 10/4 mm
<b>135164</b>	glass gasket 10/4.5 mm
<b>252987</b>	mounting preparation

Soft closers, see p. 7.35

Fala running component set



Polo running component set



## Calculation table:

handle profile	door height door h <sup>1)</sup>	panel height 10 mm hp	mirror/glass panel height hl	door width d	panel width 10 mm dp	panel width 4 mm dl	guide rail and cover strip length P
Fala	h = H - 35 mm	hp = h - 65 mm	hl = hp	d = (D - 3 mm + Z) : N	dp = d - 17 mm	dl = dp - 4 mm	P = d - 33,2 mm
Polo					dp = d - 18 mm		P = d - 34,2 mm

H - inner hole height in mm

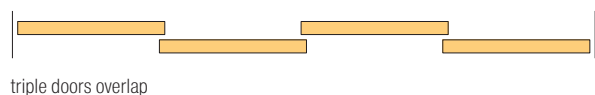
Z - overlap width in mm

W - inner hole width in mm

N - number of doors

<sup>1)</sup> when a soft closer is used, the deduction changes to h = H - 39 mm (lower guide track Blue-V)

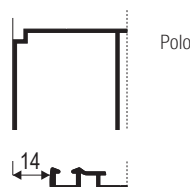
handle profile	number of doors – N	2	3	4 (two doors overlap)	4 (triple doors overlap)	5
Fala	overlap width in mm – Z	30	60	57	90	120
Polo		18	37	33	55	73



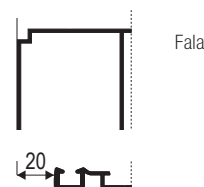
triple doors overlap



two doors overlap



Polo



Fala



Polo



Fala

# sloping solution for built-in sliding cabinets – 10 mm thick panel or glass

- solution for angled doors – EVEREST FOX II system
- at least 3 door doors must be used for this set
- Angled door must be in the rear!

## FOX handle profile

handle profile

- length 2 700 mm, for LDF thickness 10 mm, or glass/mirror 4–8 mm<sup>1)</sup>



colour	code
silver	<b>96421</b>
olive	<b>96427</b>
brushed olive	<b>96429</b>
brushed dark olive	<b>205074</b>
gold/brass	<b>542872</b>
white polished	<b>265065</b>
white matt	<b>489302</b>
graphite	<b>495587</b>
black polished	<b>395506</b>
black matt	<b>425057</b>
brushed black	<b>205077</b>
black structural	<b>524826</b>

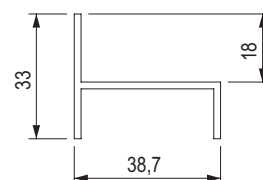
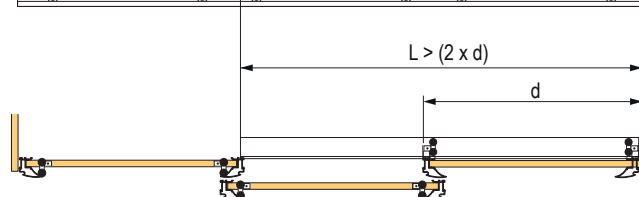
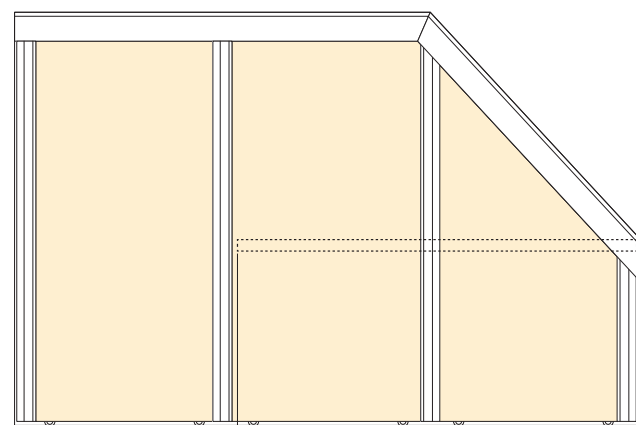
description	code
set of top running components	<b>89265</b>
set of bottom running components	<b>328321</b>
backstop brush – grey	<b>98067</b>
anti-dust brush	<b>95946</b>
backstop brush – white	<b>306523</b>
backstop brush – black	<b>409700</b>

top and bottom guides, frame profiles and other accessories are identical to accessories on p. 07.31–35



code	description
<b>181590</b>	set for angled doors Everest Fox II

- set contains: running components 2 pcs, angle couplings 2 pcs, connecting elements
- angle connectors must be inserted in handle profiles, they secure connection between the vertical and angled part of the profile

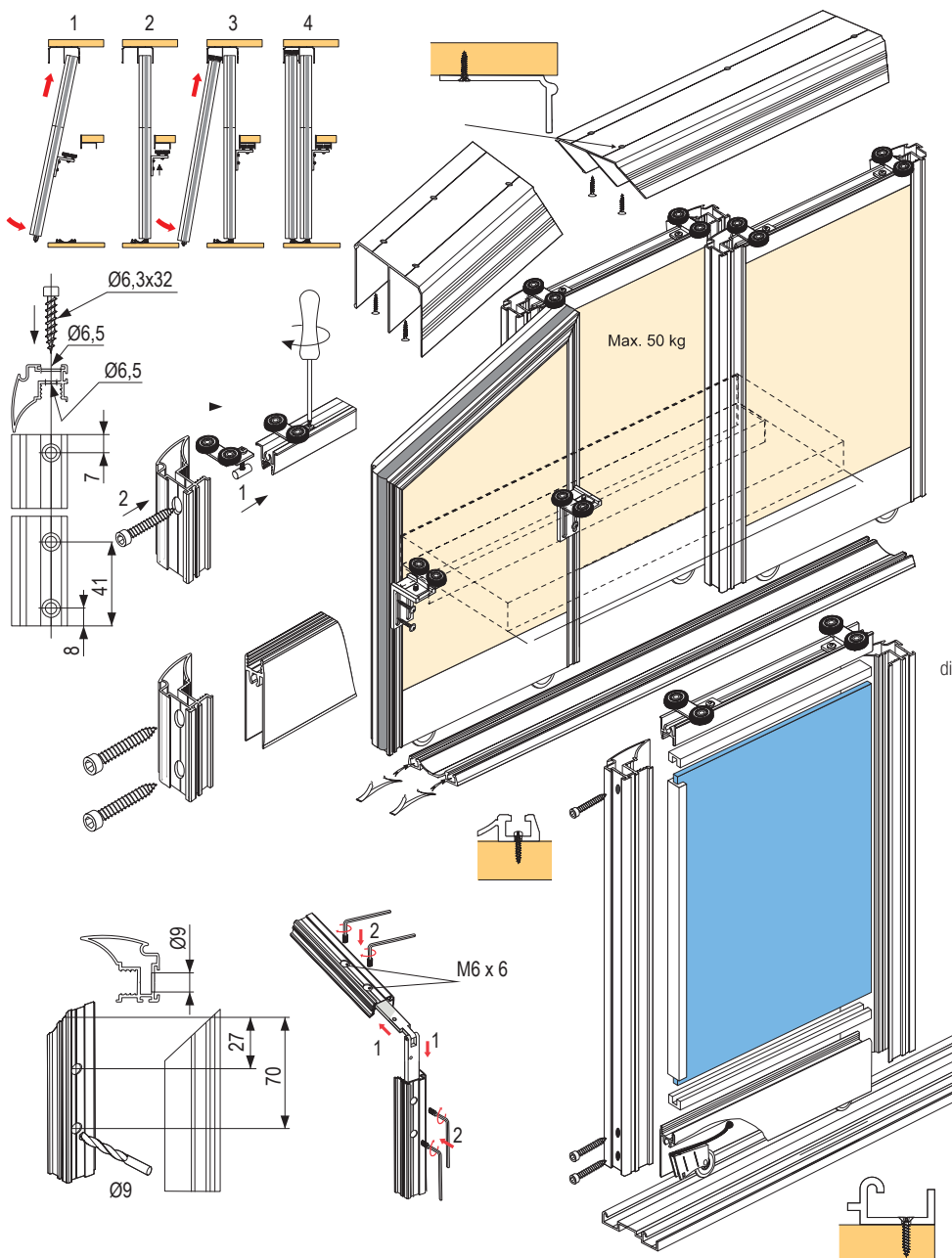


code	description
<b>98077</b>	Everest guide rail 3 m silver

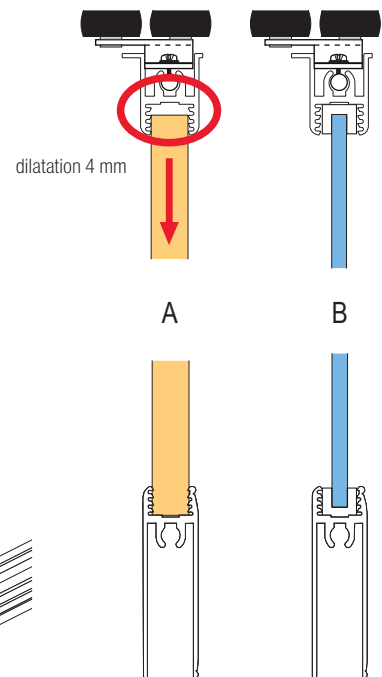
- ❗ Everest guide rail is for mounting on a fixed shelf
- ❗ length **L** must be at least twice the width of the angled door **d**

<sup>1)</sup> for glass seals, see p. 07.26

# sloping solution for built-in sliding cabinets – 10 mm thick panel or glass

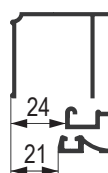


**!**  
Remember dilatation 4 mm for wooden infills to prevent the danger of doors bending.



## FOX handle profile

handle profile  
H - hole height  
N - number of door doors



door door height	h	$h = H - 40 \text{ mm}$
panel height 10 mm	hp	$hp = h - 64 \text{ mm}$
panel height glass/mirror	hl	$hl = hp$

• handle profile length is identical to door door height h

D - hole width

door door width	d	$d = (D - 3 + Z) : N$	
panel width 10 mm	dp	$dp = d - 20 \text{ mm}$	
panel width glass/mirror	dl	$dl = dp - 4 \text{ mm}$	
guide rail and cover strip length	P / G	$P / G = d - 37 \text{ mm}$	
number of doors	N	3	4
overlap length	Z	72	108

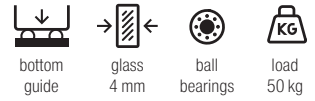
Démos trade is not liable for possible deflection of doors caused by using poor quality panels.

# PAX fittings for all-glass doors of built-in sliding cabinets



- The PAX system allows the construction of a circumferential frame to which the glass panel is bonded
- running components are mounted into horizontal frame profiles
- for larger sizes, we recommend using a straightener profile
- maximum door width 1 100 mm

- we recommend using the widest doors possible, narrow and tall doors are less stable, and especially in connection with a soft closer may cause bouncing and malfunction
- ☑ use safety glass or mirror, or secure with a protective film, see p. 7.26



## Handle profile

handle profile

- for 4 mm glass panels, door height up to 3 m

colour	length 2.7 mm	length 3 mm
silver	<b>278056</b>	<b>278057</b>
white polished	<b>284521</b>	<b>284523</b>

description	silver	white polished
top frame profile 3 m	<b>278058</b>	<b>284525</b>
bottom frame profile 3 m	<b>278059</b>	<b>284526</b>
brace – profile 3 m <sup>1)</sup>	<b>283904</b>	×
hole end cap (4 pcs)	<b>278060</b>	<b>284529</b>

<sup>1)</sup> Recommended for doors higher than 2 000 mm and wider than 800 mm



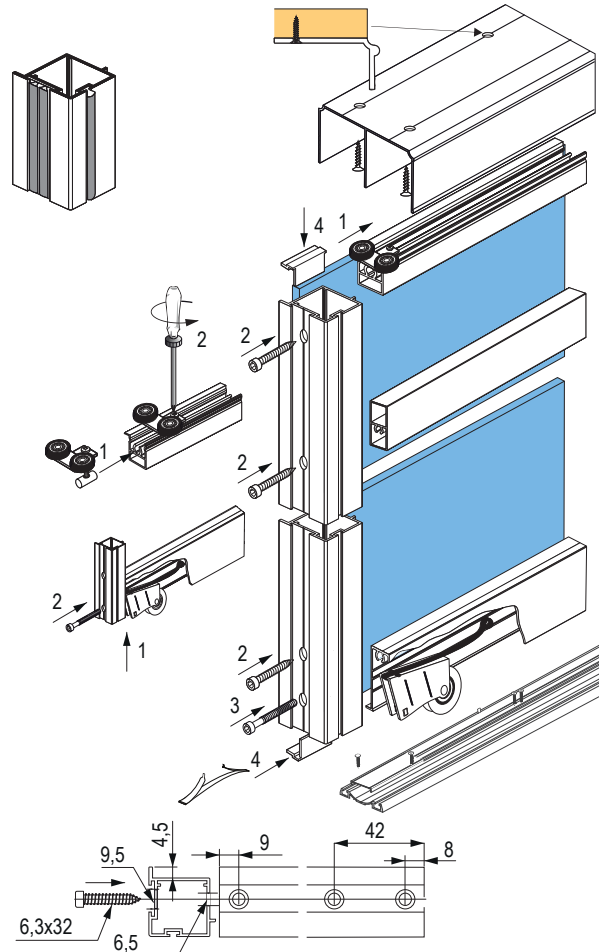
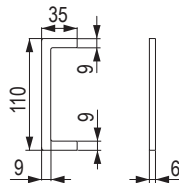
## Accessories

description	code
set of top running components	<b>228009</b>
set of bottom running components	<b>328321</b>
connecting screw 6.3 × 32 mm	<b>89244</b>
backstop brush	<b>98067</b>
anti-dust brush 4.8 × 6 mm	<b>196947</b>

## Handle

- for 4 mm glass panels, door height up to 3 m
- self-adhesive

colour	code
silver	<b>288126</b>
white polished	<b>288125</b>



## Positioners

code	description
<b>298035</b>	top



- brake for the top running component, it keeps the door in the selected position
- mounted firmly into the top guide with screw

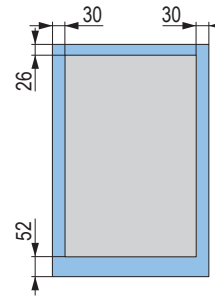
code	description
<b>89063</b>	bottom



# PAX fittings for all-glass doors of built-in sliding cabinets

## Top and bottom guide, cover profile

guide length (m)	silver				white polished		
	top guide	bottom guide Elegant II	cover profile (mask) Elegant II	bottom Gemini guide <sup>1)</sup>	top guide	bottom guide Elegant II	cover profile (mask) Elegant II
1,7	<b>89106</b>	<b>84385</b>	<b>318657</b>	<b>84410</b>	<b>276751</b>	<b>276744</b>	<b>318656</b>
2,35	<b>89109</b>	<b>84388</b>	<b>318660</b>	<b>98057</b>	<b>267882</b>	<b>276745</b>	<b>318659</b>
3	<b>89112</b>	<b>84391</b>	<b>345408</b>	<b>84412</b>	<b>252566</b>	<b>252568</b>	<b>345413</b>
4,05	<b>89115</b>	<b>84394</b>	<b>345776</b>	<b>98058</b>	<b>276749</b>	<b>276746</b>	<b>346117</b>
6	<b>134933</b>	<b>350687</b>	<b>346118</b>	<b>159409</b>	<b>311586</b>	<b>308645</b>	<b>346123</b>

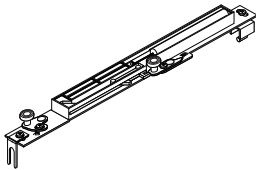


**Mounting information:**

- safety film must not be applied at the point of bonding of the frame profiles and door handle
- for bonding, use adhesives designed for bonding glass and mirrors to aluminium (non-absorbent); see chapter Adhesives; glass edges must be ground

<sup>1)</sup>for this guide, bottom running components 229441 are required

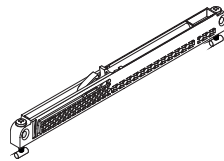
## Soft-closing systems



**Soft closer – Sevromatic Standard**

description	code
for door weight 14–25 kg	<b>227185</b>
for door weight 25–50 kg	<b>227187</b>

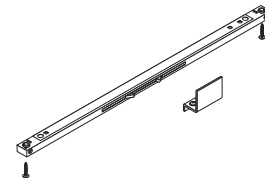
- universal soft closer, also replaces 1 top running component
- package contains 2 pcs – right + left
- soft closers are also available individually, right and left versions



**Soft closer – Mini SV**

description	code
mini SV-25 (14 – 25 kg) <sup>1)</sup>	<b>318662</b>
mini SV-40 (25 – 40 kg) <sup>1)</sup>	<b>283956</b>
mini SV-60 (40 – 60 kg) <sup>1)</sup>	<b>351743</b>

- <sup>1)</sup> this type does not replace top running component
- 2 pcs in package



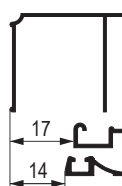
**Soft closer – Central**

description	code
central SV-25 (double-sided) <sup>2)</sup>	<b>318663</b>
central SV-40 (double-sided) <sup>2)</sup>	<b>283955</b>

- <sup>2)</sup> for the middle door; it allows opening to both sides, stops the middle door in a central position from both sides
- Attention:** these soft closers require different height of the door!

## Calculation of doors size

handle profile  
H – hole height  
N – number of door doors



door door height	h	$h = H - 40 \text{ mm}$
door door height for mounting Central SV soft closer	h	$h = H - 44 \text{ mm}$
panel height glass/mirror	hp	$hp = h - 4 \text{ mm}$

- handle profile length is identical to door door height h

D – hole width

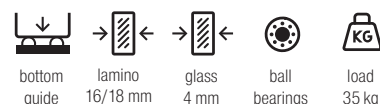
door door width	d	$d = (D - 3 + Z) : N$
panel width glass/mirror	dp	$dp = d - 4 \text{ mm}$

D = hole width

number of doors	N	2	3	4
overlap length (mm)	Z	25	50	75

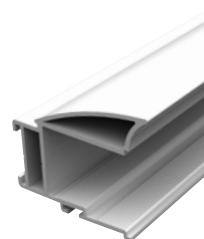
# Simple Blue system for built-in sliding cabinets – 18 mm thick panel

- system Blue in frame design allows the use of glass panels in combination with LDF 18 mm without the need of using LDF underlayment 12 mm
- glass panels (4–4.5 mm) are wedged in the frame, without the need of using gaskets or gluing
- we recommend using the widest doors possible; narrow tall doors are less stable



## Individual handle profiles (frame system)

	silver	olive	white polished	black matt
Era 2,7 m	<b>349474</b>	<b>349794</b>	<b>372603</b>	<b>488246</b>
Rekord 2,7 m	<b>341559</b>	<b>341560</b>	x	<b>488247</b>



Era

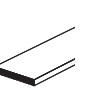
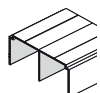


Rekord

## Accessories – profile

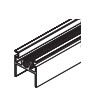
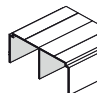
### Silver

profile length	top guide Blue	Blue V bottom guide	end cap for Blue-V <sup>3)</sup> bottom guide	top guide rail	bottom cover strip	H21 connecting strip	H28 <sup>1)</sup> connecting strip	decorative stick-on strip 10 mm <sup>2)</sup>	decorative stick-on strip 20 mm <sup>2)</sup>	decorative self-adhesive strip 18 mm
1,5 m	<b>349796</b>	<b>349810</b>	<b>216362</b>	<b>224131</b>	<b>224137</b>	x	x	x	x	x
2 m	<b>349475</b>	<b>349476</b>		<b>224132</b>	<b>224138</b>	x	x	x	x	x
3 m	<b>349802</b>	<b>349814</b>		<b>222571</b>	<b>222572</b>	<b>336796</b>	<b>328825</b>	<b>135156</b>	<b>134300</b>	<b>308640</b>
4 m	<b>349804</b>	<b>349819</b>		x	x	x	x	x	x	x
6 m	x	<b>349818</b>		x	x	x	x	x	x	x



### Olive

profile length	top guide Blue	Blue V bottom guide	end cap for Blue-V <sup>3)</sup> bottom guide	top guide rail	bottom cover strip	H21 connecting strip	H28 <sup>1)</sup> connecting strip	decorative stick-on strip 10 mm <sup>2)</sup>	decorative stick-on strip 20 mm <sup>2)</sup>	decorative self-adhesive strip 18 mm
1,5 m	<b>349797</b>	<b>349812</b>	<b>216362</b>	x	x	x	x	x	x	x
2 m	<b>349798</b>	<b>349809</b>		<b>224135</b>	<b>224141</b>	x	x	x	x	x
3 m	<b>349801</b>	<b>349815</b>		<b>223561</b>	<b>223562</b>	<b>224158</b>	<b>223560</b>	<b>135157</b>	<b>135154</b>	<b>308641</b>
4 m	<b>349805</b>	<b>349816</b>		x	x	x	x	x	x	x
6 m	<b>349806</b>	<b>349817</b>		x	x	x	x	x	x	x



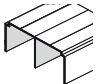
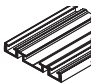

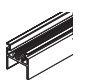




<sup>1)</sup> screw-on version, connecting screw 346726

<sup>2)</sup> for bonding with double-sided adhesive tape or glue (not included)

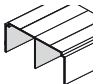
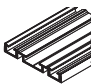

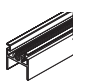


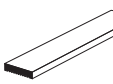

<sup>3)</sup> sold by the metre

# Simple Blue system for built-in sliding cabinets – 18 mm thick panel

## White polished

profile length	top guide Blue	Blue V bottom guide	end cap for Blue-V <sup>3)</sup> bottom guide	top guide strip	bottom cover strip	H21 connecting strip	H28 <sup>1)</sup> connecting strip	decorative self-adhesive strip 18 mm
2 m	<b>394287</b>	<b>394283</b>	<b>216362</b>	<b>394267</b>	<b>394231</b>	x	x	x
3 m	<b>394289</b>	<b>394284</b>		<b>394270</b>	<b>394265</b>	<b>394273</b>	<b>394281</b>	<b>364016</b>
4 m	x	x		x	x	x	x	x
6 m	<b>394290</b>	<b>394285</b>		x	x	x	x	x
								

## Black matt

profile length	top guide Blue	Blue V bottom guide	end cap for Blue-V <sup>3)</sup> bottom guide	top guide strip	bottom cover strip	H21 connecting strip	decorative stick-on strip 10 mm <sup>2)</sup>	decorative self-adhesive strip 18 mm
2 m	<b>488266</b>	<b>488257</b>	<b>216362</b>	<b>488237</b>	<b>488235</b>	x	x	x
3 m	<b>488267</b>	<b>488258</b>		<b>488238</b>	<b>488236</b>	<b>488239</b>	<b>491112</b>	<b>497949</b>
4 m	x	x		x	x	x	x	x
6 m	<b>488268</b>	<b>488259</b>		x	x	x	x	x
								

<sup>1)</sup> screw-on version, connecting screw 346726

<sup>2)</sup> for bonding with double-sided adhesive tape or glue (not included)

<sup>3)</sup> sold by the metre

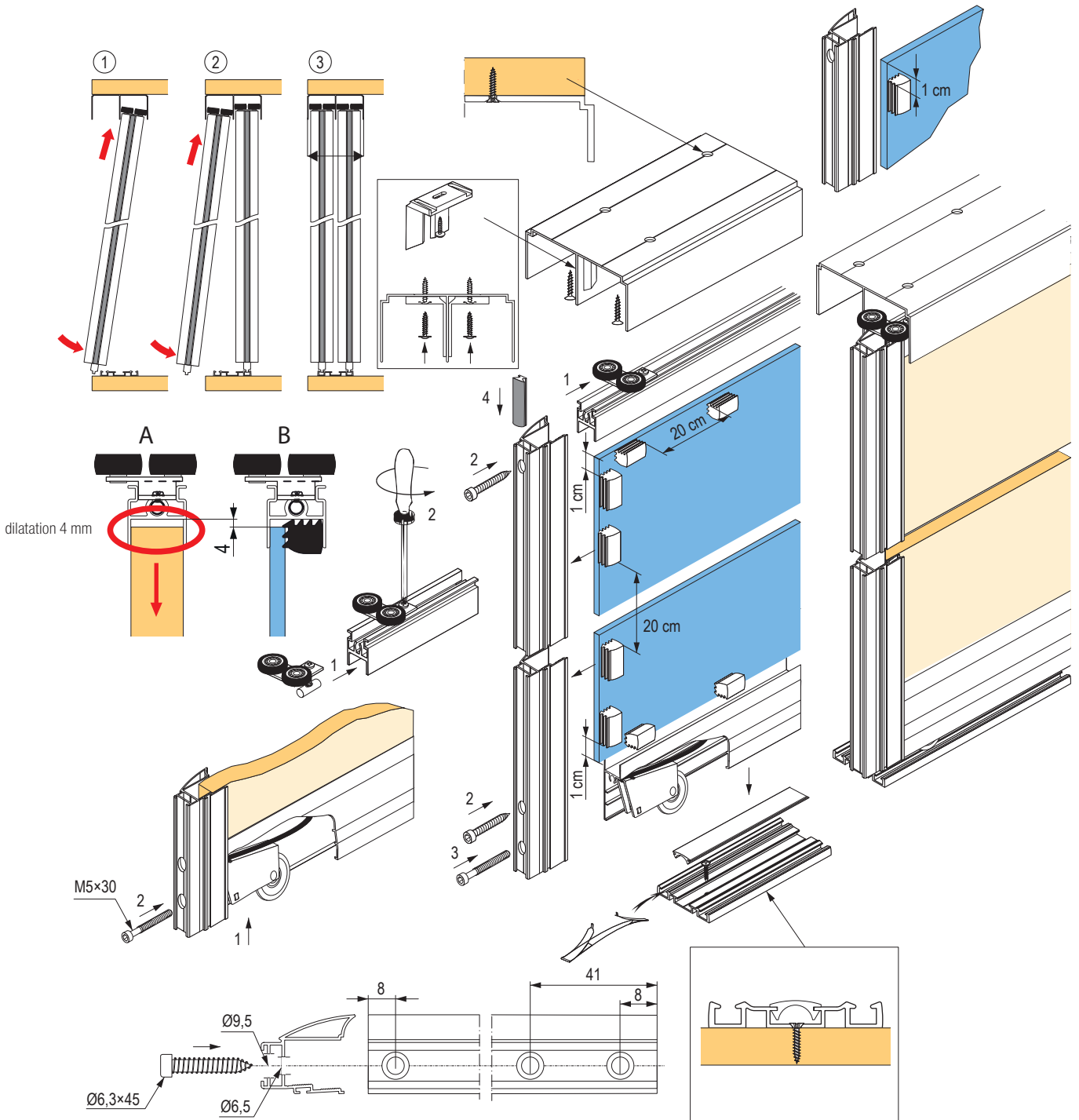
## Accessories – other

code	accessories – other
<b>349732</b>	set of top running components
<b>229446</b>	set of bottom running components for Blue-V guide
<b>349856</b>	fastening wedges (40 pcs)
<b>346726</b>	connecting screw
<b>98067</b>	backstop brush 14 × 4 mm grey
<b>306523</b>	backstop brush 14 × 4 mm white
<b>409700</b>	backstop brush 14 × 4 mm black
<b>95946</b>	anti-dust brush

code	accessories – other
<b>229681</b>	bottom positioner
<b>298035</b>	top positioner
<b>318662</b>	soft closer Mini SV 14–25 kg
<b>283956</b>	soft closer Mini SV 25–40 kg
<b>318663</b>	Central SV-25 double-sided soft closer up to 25 kg
<b>283955</b>	Central SV-40 double-sided soft closer up to 40 kg
<b>252987</b>	mounting preparation

# example of mounting of built-in sliding cabinet – 18 mm thick panel

## Era and Rekord handle profiles



# Simple Blue system for built-in sliding cabinets – 18 mm thick panel

## Calculation table:

handle	door height $h^{1)}$	panel height 18 mm $hp$	mirror/glass panel height $hl$	door width $d$	panel width 18 mm $dp$	panel width 4 mm $dl$	guide rail and cover strip length $P$
Era	$h = H - 35 \text{ mm}$	$hp = h - 60 \text{ mm}$	$hl = hp$	$d = (D - 3 \text{ mm} + Z) : N$	$dp = d - 37 \text{ mm}$	$dl = dp + 16 \text{ mm}$	$P = d - 57 \text{ mm}$
Rekord							

H – inner hole height in mm

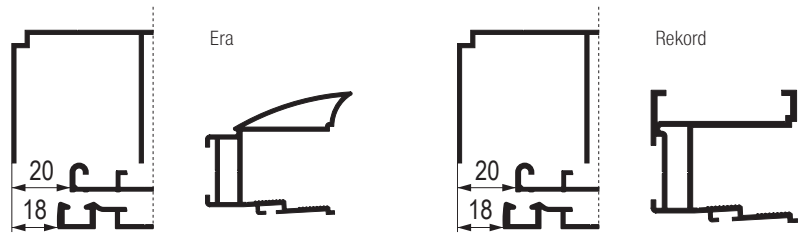
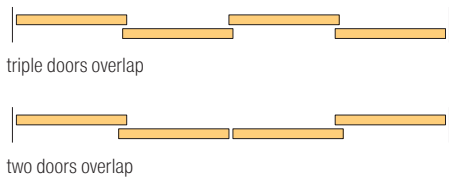
Z – overlap width in mm

W – inner hole width in mm

N – number of doors

<sup>1)</sup> when a soft closer is used, the deduction changes to  $h = H - 39 \text{ mm}$  (lower guide Blue-V)

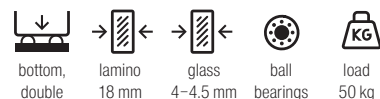
handle	number of doors – N	2	3	4 (two doors overlap)	4 (triple doors overlap)	5
Era	overlap width in mm – Z	34	68	65	102	136
Rekord		30	60	57	90	120



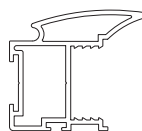
# built-in sliding cabinets – 18 mm thick panel/glass

## Individual handle profiles

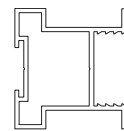
- length 2.7 m, for LDF 18 mm or glass/mirror<sup>1)</sup>
- system with solid wood profiles, allows a combination of lamino 18 mm with glass panels using gaskets



handle profile / surface treatment	silver	olive	black matt
Arte GM 18 2,7 m	<b>489292</b>	<b>489293</b>	<b>489294</b>
Porto GM 18 2,7 m	<b>489286</b>	<b>489289</b>	×
Porto GM 18 3 m	<b>489287</b>	<b>489288</b>	×
Prosper II GM 18	<b>489290</b>	<b>489291</b>	×



Arte GM



Porto GM



Prosper II GM

<sup>1)</sup> use safety glass or mirror, or secure with a protective film, p. 07.26

## Accessories – profile

### Silver

length of the profile (m)	silver							
	Gemini top guide	Elegant II bottom guide	Elegant II cover profile (mask)	Gemini bottom guide	top guide strip	bottom cover strip	H18 connecting strip	H25 connecting strip
1,7	<b>89106</b>	<b>84385</b>	<b>318657</b>	<b>84410</b>	<b>496366</b>	<b>496369</b>	×	×
2,35	<b>89109</b>	<b>84388</b>	<b>318660</b>	<b>98057</b>	<b>496367</b>	<b>496370</b>	×	×
3	<b>89112</b>	<b>84391</b>	<b>345408</b>	<b>84412</b>	<b>496368</b>	<b>496371</b>	<b>496942</b>	<b>496924</b>
4,05	<b>89115</b>	<b>84394</b>	<b>345776</b>	<b>98058</b>	×	×	×	×
6	<b>134933</b>	<b>350687</b>	<b>346118</b>	<b>159409</b>	×	×	×	×

### Olive

length of the profile (m)	olive							
	Gemini top guide	Elegant II bottom guide	Elegant II cover profile (mask)	Gemini bottom guide	top guide strip	bottom cover strip	H18 connecting strip	H25 connecting strip
1,7	<b>89105</b>	<b>318666</b>	<b>318655</b>	<b>308647</b>	<b>496970</b>	<b>496946</b>	×	×
2,35	<b>89108</b>	<b>84387</b>	<b>318658</b>	<b>308653</b>	<b>496971</b>	<b>496947</b>	×	×
3	<b>89111</b>	<b>84390</b>	<b>345409</b>	<b>308657</b>	<b>496972</b>	<b>496951</b>	<b>496986</b>	<b>496990</b>
4,05	<b>89114</b>	<b>84393</b>	<b>345777</b>	<b>308666</b>	×	×	×	×
6	<b>134934</b>	<b>350688</b>	<b>346119</b>	<b>308668</b>	×	×	×	×

### Black matt

length of the profile (m)	black matt						
	Gemini top guide	Elegant II bottom guide	Elegant II cover profile (mask)	top guide rail	bottom cover strip	H18 connecting strip	H25 connecting strip
1,7	<b>422008</b>	<b>422007</b>	<b>452751</b>	<b>496974</b>	<b>496952</b>	×	×
2,35	<b>409670</b>	<b>409678</b>	<b>409679</b>	<b>496977</b>	<b>496955</b>	×	×
3	<b>412229</b>	<b>412231</b>	<b>414086</b>	<b>496979</b>	<b>496957</b>	<b>496987</b>	<b>496996</b>
4,05	<b>409674</b>	<b>409676</b>	<b>409680</b>	×	×	×	×
6	<b>452736</b>	<b>452743</b>	<b>452757</b>	×	×	×	×

# built-in sliding cabinets – 18 mm thick panel/glass

## Accessories – other

code	accessories – other
<b>228009</b>	set of top running components, frame version, PROSPER and PORTO handle profile
<b>496998</b>	set of top running components, frame version, ARTE handle profile
<b>328321</b>	set of bottom running component, frame version, Elegant II bottom guide
<b>229441</b>	set of bottom running component, frame version, Gemini bottom guide
<b>496944</b>	set of top running component, version without frame, PROSPER and PORTO handle profile
<b>496997</b>	set of top running component, version without frame, ARTE handle profile
<b>362316</b>	set of bottom running component, version without frame, bottom guide Elegant II

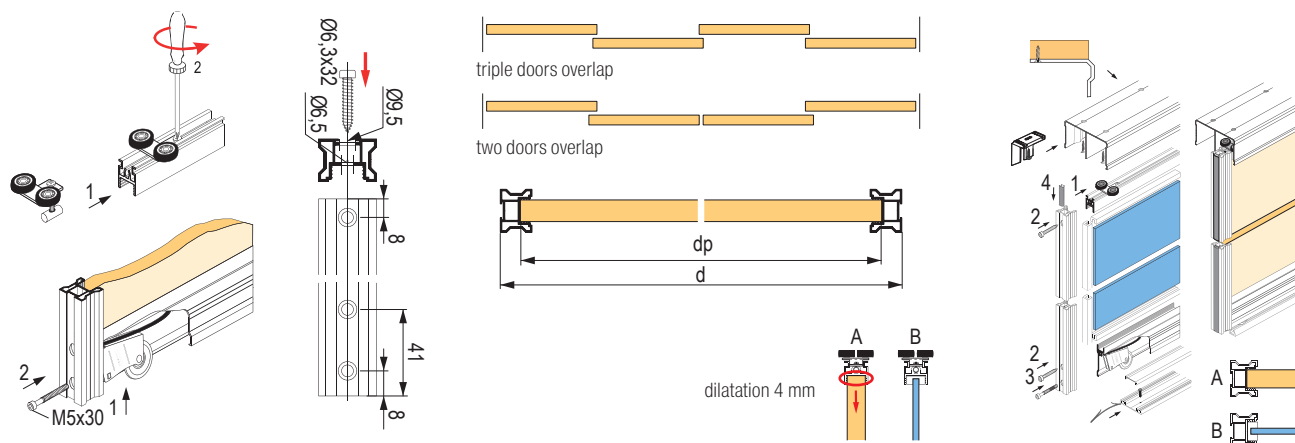
code	accessories – other
<b>229440</b>	set of bottom running component, version without frame, Gemini bottom guide
<b>89244</b>	connecting screw
<b>98067</b>	backstop brush grey
<b>409700</b>	backstop brush black
<b>89063</b>	bottom positioner
<b>298035</b>	top positioner
<b>98019</b>	screw for attaching bottom guide
<b>98037M</b>	glass gasket 4–4.5 mm, asymmetric

## Calculation of dimensions

H – hole height  
D – hole width  
N – number of door doors

handle	door door height and handle profile length h	panel height 18 mm hp	panel height 4 mm hl	doors width door d	panel width 18 mm dp	panel width 4 mm dl	guide length and cover strip P	angle bracket length dk
Arte GM frame	h = H - 40 mm	hp = h - 64 mm	hl = hp	d = (D - 3 mm + Z) : N	dp = d - 32 mm	dl = dp - 4 mm	P = d - 48 mm	×
Porto GM frame					dp = d - 41 mm		P = d - 58 mm	×
Prosper GM frame					dp = d - 31 mm		P = d - 48 mm	×
Arte GM without frame		hp = h - 2 mm	×		dp = d - 32 mm	×	×	dk = d - 48 mm
Porto GM without frame			×		dp = d - 41 mm	×	×	dk = d - 58 mm
Prosper GM without frame			×		dp = d - 31 mm	×	×	dk = d - 48 mm

handle	number of doors – N	2	3	4 (two doors overlap)	4 (triple doors overlap)	5
Arte GM frame	overlap width in mm – Z	36	72	69	108	144
Porto GM frame		30	60	57	90	120
Prosper GM frame		25	50	47	75	100
Arte GM without frame		36	72	69	108	144
Porto GM without frame		30	60	57	90	120
Prosper GM without frame		25	50	47	75	100



# frameless fitting system for built-in wardrobes, sliding – panel thickness 18 mm

## Individual handle profiles

handle profile / surface treatment	silver	olive	brushed olive	brushed dark olive	gold/brass	white polished	white matt	graphite
Alfa II 2,7 m	<b>222788</b>	<b>222789</b>	x	x	<b>542574</b>	<b>276730</b>	<b>394791</b>	<b>494667</b>
Beta 2,7 m 16 mm	<b>228201</b>	<b>489626</b>	x	x	x	x	x	x
Beta 2,7 m 18 mm	<b>213977</b>	<b>213978</b>	x	x	x	x	x	x
Ergo 2,7 m	<b>143983</b>	<b>143984</b>	x	x	x	x	x	x
Factor II 2,7 m	<b>135136</b>	<b>135503</b>	x	x	x	x	x	x
Faworyt II 2,7 m	<b>179196</b>	<b>135706</b>	x	x	x	<b>252569</b>	<b>276742</b>	x
Focus 2,7 m	<b>89103</b>	x	x	x	x	x	x	x
Focus II 2,7 m	<b>245815</b>	<b>245816</b>	x	x	<b>542589</b>	x	x	x
Oaza 2,7 m	<b>246893</b>	<b>246894</b>	x	x	x	x	x	x
Tytan 2,7 m	<b>89099</b>	<b>89098</b>	x	x	x	x	x	x
Universal 2,7 m	<b>90106</b>	<b>90105</b>	x	x	x	x	x	x
Victoria II 2,7 m	<b>135532</b>	<b>135534</b>	<b>191699</b>	<b>216620</b>	x	x	x	x

## Accessories – profile

### Silver

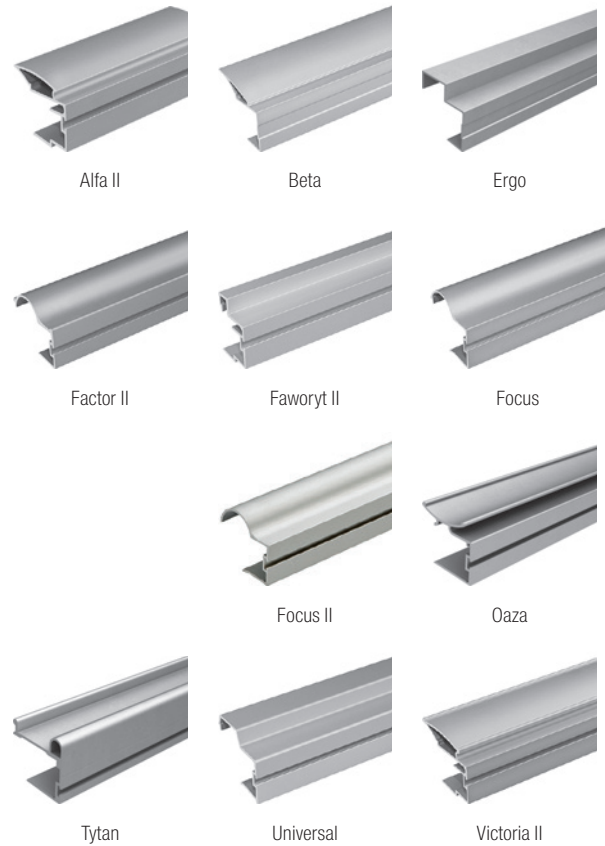
profile length	Gemini top guide	Elegant II bottom guide	cover profile (mask) Elegant II	Gemini bottom guide	connecting profile H04	connecting profile H08	H18 Decor connecting profile	U profile for LDF 18 mm	U profile decor on LDF 18 mm
1,7 m	<b>89106</b>	<b>84385</b>	<b>318657</b>	<b>84410</b>	x	x	x	x	x
2,35 m	<b>89109</b>	<b>84388</b>	<b>318660</b>	<b>98057</b>	x	x	x	x	x
3 m	<b>89112</b>	<b>84391</b>	<b>345408</b>	<b>84412</b>	<b>135149</b>	<b>135152</b>	<b>89010</b>	<b>89269</b>	<b>89016</b>
4,05 m	<b>89115</b>	<b>84394</b>	<b>345776</b>	<b>98058</b>	x	x	x	x	x
6 m	<b>134933</b>	<b>350687</b>	<b>346118</b>	<b>159409</b>	x	x	x	x	x

### Olive

profile length	Gemini top guide	Elegant II bottom guide	cover profile (mask) Elegant II	Gemini bottom guide	connecting profile H04	connecting profile H08	H18 Decor connecting profile	U profile for LDF 18 mm	U profile decor on LDF 18 mm
1,7 m	<b>89105</b>	<b>318666</b>	<b>318655</b>	<b>308647</b>	x	x	x	x	x
2,35 m	<b>89108</b>	<b>84387</b>	<b>318658</b>	<b>308653</b>	x	x	x	x	x
3 m	<b>89111</b>	<b>84390</b>	<b>345409</b>	<b>308657</b>	<b>130994</b>	<b>135151</b>	<b>89012</b>	<b>89268</b>	<b>89018</b>
4,05 m	<b>89114</b>	<b>84393</b>	<b>345777</b>	<b>308666</b>	x	x	x	x	x
6 m	<b>134934</b>	<b>350688</b>	<b>346119</b>	<b>308668</b>	x	x	x	x	x

# fittings for built-in sliding cabinets – 18 mm thick panel

brushed black	black polished	black matt	black structural	backstop brush	combination of LDF 12 mm + mirror 4 mm
x	<b>395495</b>	<b>288252</b>	<b>524825</b>	slide-in	yes
x	x	x	x	self-adhesive	no
x	x	x	x	self-adhesive	no
x	x	x	x	self-adhesive	no
x	x	x	x	slide-in	no
x	x	<b>452601</b>	x	slide-in	no
x	x	x	x	self-adhesive	no
x	x	<b>489301</b>	x	slide-in	no
x	x	x	x	slide-in	yes
x	x	x	x	slide-in	yes
x	x	x	x	slide-in	yes
<b>216621</b>	x	x	x	slide-in	yes



U profile decor on LDF 36 mm	T profile	Decor T profile	decorative stick-on strip 10 mm <sup>1)</sup>	decorative stick-on strip 20 mm <sup>1)</sup>	decorative self-adhesive strip 18 mm	Mini angle bracket 17 × 11 mm	K2 Decor angle bracket 19 × 18 mm	angle bracket 18 × 36 mm
x	x	x	x	x	x	<b>89134</b>	<b>89050</b>	x
x	x	x	x	x	x	<b>89137</b>	<b>89053</b>	x
<b>154168</b>	<b>89188</b>	<b>89013</b>	<b>135156</b>	<b>134300</b>	<b>308640</b>	<b>89140</b>	<b>89056</b>	<b>298399</b>
x	x	x	x	x	x	x	x	x
x	x	x	x	x	x	x	x	x

U profile decor on LDF 36 mm	T profile	Decor T profile	decorative stick-on strip 10 mm <sup>1)</sup>	decorative stick-on strip 20 mm <sup>1)</sup>	decorative self-adhesive strip 18 mm	Mini angle bracket 17 × 11 mm	K2 Decor angle bracket 19 × 18 mm	angle bracket 18 × 36 mm
x	x	x	x	x	x	<b>89133</b>	<b>89052</b>	x
x	x	x	x	x	x	<b>89136</b>	<b>89055</b>	x
<b>308528</b>	<b>89187</b>	<b>89015</b>	<b>135157</b>	<b>135154</b>	<b>308641</b>	<b>89139</b>	<b>89058</b>	<b>308628</b>
x	x	x	x	x	x	x	x	x
x	x	x	x	x	x	x	x	x

<sup>1)</sup> for bonding with double-sided adhesive tape or glue (not included)

# fittings for built-in sliding cabinets – 18 mm thick panel

## Brushed olive

profile length	Gemini top guide	Elegant II bottom guide	Elegant II cover profile (mask)	H18 Decor connecting profile	U profile for LDF 18 mm	K2 Decor angle bracket 19 × 18 mm
1,7 m	<b>119459</b>	<b>120868</b>	<b>345401</b>	×	×	<b>191700</b>
2,35 m	<b>120864</b>	<b>120869</b>	<b>345404</b>	×	×	<b>191701</b>
3 m	<b>120865</b>	<b>120870</b>	<b>345410</b>	<b>191704</b>	<b>223341</b>	<b>191702</b>
4,05 m	<b>120867</b>	<b>120871</b>	<b>346114</b>	×	×	×
6 m	<b>225370</b>	<b>225367</b>	<b>346120</b>	×	×	×

## Brushed dark olive

profile length	Gemini top guide	Elegant II bottom guide	Elegant II cover profile (mask)	H18 Decor connecting profile	U profile for LDF 18 mm	K2 Decor angle bracket 19 × 18 mm
1,7 m	<b>205162</b>	<b>205089</b>	<b>345402</b>	×	×	<b>223326</b>
2,35 m	<b>205164</b>	<b>205078</b>	<b>345405</b>	×	×	<b>223330</b>
3 m	<b>205166</b>	<b>205098</b>	<b>345411</b>	<b>223332</b>	<b>223342</b>	<b>223331</b>
4,05 m	<b>205168</b>	<b>205087</b>	<b>346115</b>	×	×	×
6 m	×	×	×	×	×	×

## Gold/brass

profile length	Gemini top guide	Elegant II bottom guide	Elegant II cover profile (mask)	H18 Decor connecting profile	U profile for LDF 18 mm	Mini angle bracket 17 × 11 mm
1,7 m	<b>542704</b>	<b>542698</b>	<b>542674</b>	×	×	<b>542706</b>
2,35 m	<b>542705</b>	<b>542700</b>	<b>542675</b>	×	×	<b>542764</b>
3 m	<b>542583</b>	<b>542591</b>	<b>542584</b>	<b>542588</b>	<b>542871</b>	<b>542863</b>
4,05 m	<b>542592</b>	<b>542576</b>	<b>542590</b>	×	×	×
6 m	<b>542633</b>	<b>542688</b>	<b>542676</b>	×	×	×

## Graphite

profile length	Gemini top guide	Elegant II bottom guide	Elegant II cover profile (mask)	H18 Decor connecting profile	U profile for LDF 18 mm	Mini angle bracket 17 × 11 mm
1,7 m	<b>494742</b>	<b>494741</b>	<b>496356</b>	×	×	<b>494744</b>
2,35 m	<b>494669</b>	<b>494692</b>	<b>494693</b>	×	×	<b>494724</b>
3 m	<b>494730</b>	<b>494739</b>	<b>494740</b>	<b>494727</b>	<b>494743</b>	<b>494728</b>
4,05 m	<b>494670</b>	<b>494672</b>	<b>494703</b>	×	×	×
6 m	<b>495629</b>	<b>496355</b>	<b>496357</b>	×	×	×

## White polished

profile length	Gemini top guide	Elegant II bottom guide	Elegant II cover profile (mask)	H18 Decor connecting profile	U profile for LDF 18 mm	decorative self-adhesive strip 18 mm	Mini angle bracket 17 × 11 mm
1,7 m	<b>276751</b>	<b>276744</b>	<b>318656</b>	×	×	×	<b>276735</b>
2,35 m	<b>267882</b>	<b>276745</b>	<b>318659</b>	×	×	×	<b>276732</b>
3 m	<b>252566</b>	<b>252568</b>	<b>345413</b>	<b>252567</b>	<b>360760</b>	<b>364016</b>	<b>267880</b>
4,05 m	<b>276749</b>	<b>276746</b>	<b>346117</b>	×	×	×	×
6 m	<b>311586</b>	<b>308645</b>	<b>346123</b>	×	×	×	×

# fittings for built-in sliding cabinets – 18 mm thick panel

## White matt

profile length	Gemini top guide	Elegant II bottom guide	Elegant II cover profile (mask)	connecting profile H08	H18 Decor connecting profile	U profile for LDF 18 mm	decorative self-adhesive strip 18 mm	Mini angle bracket 17 × 11 mm
1,7 m	<b>394802</b>	<b>394792</b>	<b>394848</b>	x	x	x	x	<b>394825</b>
2,35 m	<b>394813</b>	<b>394795</b>	<b>395039</b>	x	x	x	x	<b>394826</b>
3 m	<b>233016</b>	<b>276743</b>	<b>395041</b>	<b>276738</b>	<b>406463</b>	<b>406464</b>	<b>497954</b>	<b>276731</b>
4,05 m	<b>394815</b>	<b>394796</b>	<b>395042</b>	x	x	x	x	x
6 m	<b>394824</b>	<b>394800</b>	<b>394831</b>	x	x	x	x	x

## Brushed black

profile length	Gemini top guide	bottom guide Elegant II	Elegant II cover profile (mask)	H18 Decor connecting profile	U profile for LDF 18 mm	K2 Decor angle bracket 19 × 18 mm
1,7 m	<b>205163</b>	<b>205090</b>	<b>345403</b>	x	x	<b>223392</b>
2,35 m	<b>205165</b>	<b>205079</b>	<b>345407</b>	x	x	<b>223393</b>
3 m	<b>205167</b>	<b>205186</b>	<b>345412</b>	<b>223391</b>	<b>223343</b>	<b>223394</b>
4,05 m	<b>205169</b>	<b>205088</b>	<b>346116</b>	x	x	x
6 m	<b>225372</b>	<b>225369</b>	<b>346122</b>	x	x	x

## Black polished

profile length	Gemini top guide	Elegant II bottom guide	Elegant II cover profile (mask)	H18 Decor connecting profile	U profile for LDF 18 mm	Mini angle bracket 17 × 11 mm
1,7 m	<b>405407</b>	<b>405393</b>	<b>405427</b>	x	x	<b>405365</b>
2,35 m	<b>398096</b>	<b>398188</b>	<b>398553</b>	x	x	<b>405366</b>
3 m	<b>405423</b>	<b>405403</b>	<b>405428</b>	<b>405392</b>	<b>405364</b>	<b>405367</b>
4,05 m	<b>405425</b>	<b>405404</b>	<b>405429</b>	x	x	x
6 m	<b>405426</b>	<b>405406</b>	<b>405430</b>	x	x	x

# fittings for built-in sliding cabinets – 18 mm thick panel

## Black matt

profile length	Gemini top guide	Elegant II bottom guide	Elegant II cover profile (mask)	connecting profile H04	connecting profile H08	H18 Decor connecting profile	U profile for LDF 18 mm	T profile	decorative stick-on strip 10 mm <sup>1)</sup>	decorative self-adhesive strip 18 mm	Mini angle bracket 17 × 11 mm
1,7 m	<b>422008</b>	<b>422007</b>	<b>452751</b>	x	x	x	x	x	x	x	<b>422014</b>
2,35 m	<b>409670</b>	<b>409678</b>	<b>409679</b>	x	x	x	x	x	x	x	<b>409682</b>
3 m	<b>412229</b>	<b>412231</b>	<b>414086</b>	<b>497947</b>	<b>497948</b>	<b>409683</b>	<b>422013</b>	<b>497950</b>	<b>491112</b>	<b>497949</b>	<b>412226</b>
4,05 m	<b>409674</b>	<b>409676</b>	<b>409680</b>	x	x	x	x	x	x	x	x
6 m	<b>452736</b>	<b>452743</b>	<b>452757</b>	x	x	x	x	x	x	x	x

<sup>1)</sup> for bonding with double-sided adhesive tape or glue (not included)

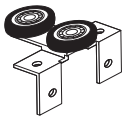
## Black structural matt

profile length	Gemini top guide	Elegant II bottom guide	Elegant II cover profile (mask)	H18 Decor connecting profile	U profile for LDF 18 mm	decorative self-adhesive strip 18 mm	Mini angle bracket 17 × 11 mm
1,7 m	<b>526516</b>	<b>526506</b>	<b>526524</b>	x	x	x	<b>526502</b>
2,35 m	<b>526519</b>	<b>526509</b>	<b>526525</b>	x	x	x	<b>526503</b>
3 m	<b>526520</b>	<b>526510</b>	<b>526526</b>	<b>526505</b>	x	x	<b>526504</b>
4,05 m	<b>526521</b>	<b>526511</b>	<b>526527</b>	x	x	x	x
6 m	<b>526522</b>	<b>526512</b>	<b>526528</b>	x	x	x	x

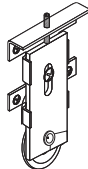
# fittings for built-in sliding cabinets – 18 mm thick panel

## Sets of running components

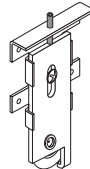
code	description
<b>228023</b>	top
<b>362316</b>	bottom, for Elegant II guide, unsprung
<b>362252</b>	bottom, for Elegant II guide, with spring
<b>229440</b>	bottom, for Gemini guide



228023



362316



229440

## Screw

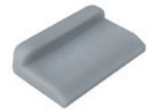
code	description
<b>98019</b>	for fixing the bottom guide

## Backstop and anti-dust brushes

code	description	dimension (mm)	colour
<b>229433</b>	backstop brush slide-in	4,8 × 4	grey
<b>305137</b>			white
<b>409699</b>			black
<b>196947</b>		4,8 × 6	grey
<b>89284</b>	self-adhesive backstop brush	4,8 × 4	grey
<b>89131</b>		6,7 × 4	
<b>361759</b>	self-adhesive anti-dust brush	6,7 × 9	
<b>308639</b>		6,7 × 13	
<b>223569</b>	backstop brush staple <sup>2)</sup>	×	

## Distance wedge

code	description
<b>308631</b>	when using 16 mm door panel



# fittings for built-in sliding cabinets – 18 mm thick panel

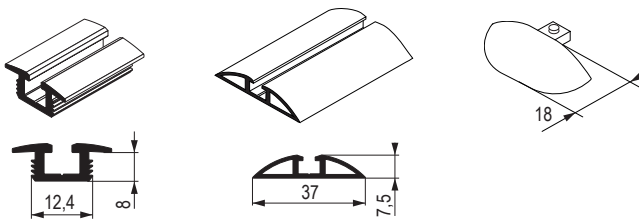
## Simple guide for built-in cabinets

length of the profile (m)	silver	black matt	silver	olive	
	top guide		bottom guide SMART	top guide	bottom guide SMART
1,7	<b>89029</b>	×	<b>84192</b>	<b>89028</b>	<b>84191</b>
2,35	<b>89032</b>	×	<b>84195</b>	<b>89031</b>	<b>84194</b>
3	<b>89035</b>	<b>497952</b>	<b>84198</b>	<b>89034</b>	<b>84197</b>
6	<b>279077</b>	×	×	×	×

• for correct assembly, we recommend using screws 98019 (2.5 × 18 mm)

## Countersink transitional bottom guide

length of the profile (m)	silver	black matt	silver	olive	
	type M (for milling-in)	type N (surface mounting)		type M (for milling-in)	type N (surface mounting)
3	<b>213609</b>	<b>497951</b>	<b>197753</b>	<b>223405</b>	<b>197755</b>
6	<b>308673</b>	×	<b>251132</b>	×	<b>279078</b>
end pieces	×	×	<b>212613</b>	×	×



## Positioners

code	description
<b>89063</b>	for bottom running component
<b>298035</b>	for top running component



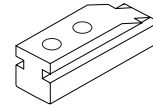
89063



298035

## Brake

code	description
<b>212616</b>	for guide type M and N



## Gemini bottom guide holder

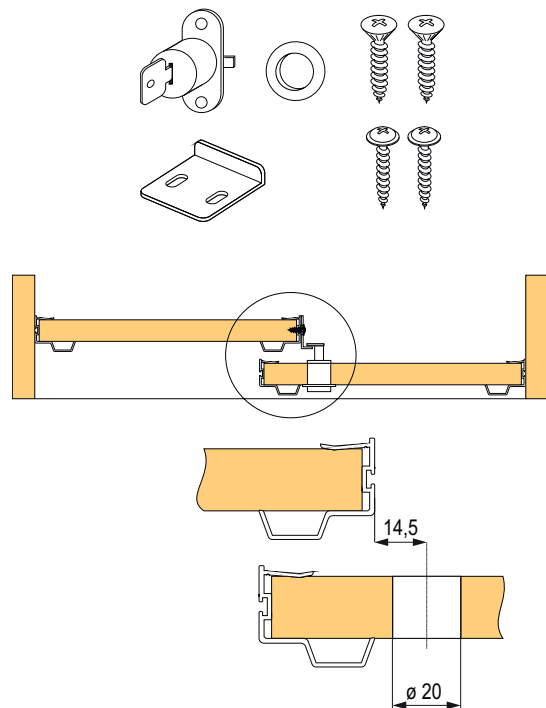
code	description
<b>387424</b>	for Gemini



## Sevroll sliding wardrobe lock

- for wooden panel 10 mm + 18 mm
- cannot be used for glass panels
- blocks doors against each other, does not have a safety function, doors can be unhinged, etc.

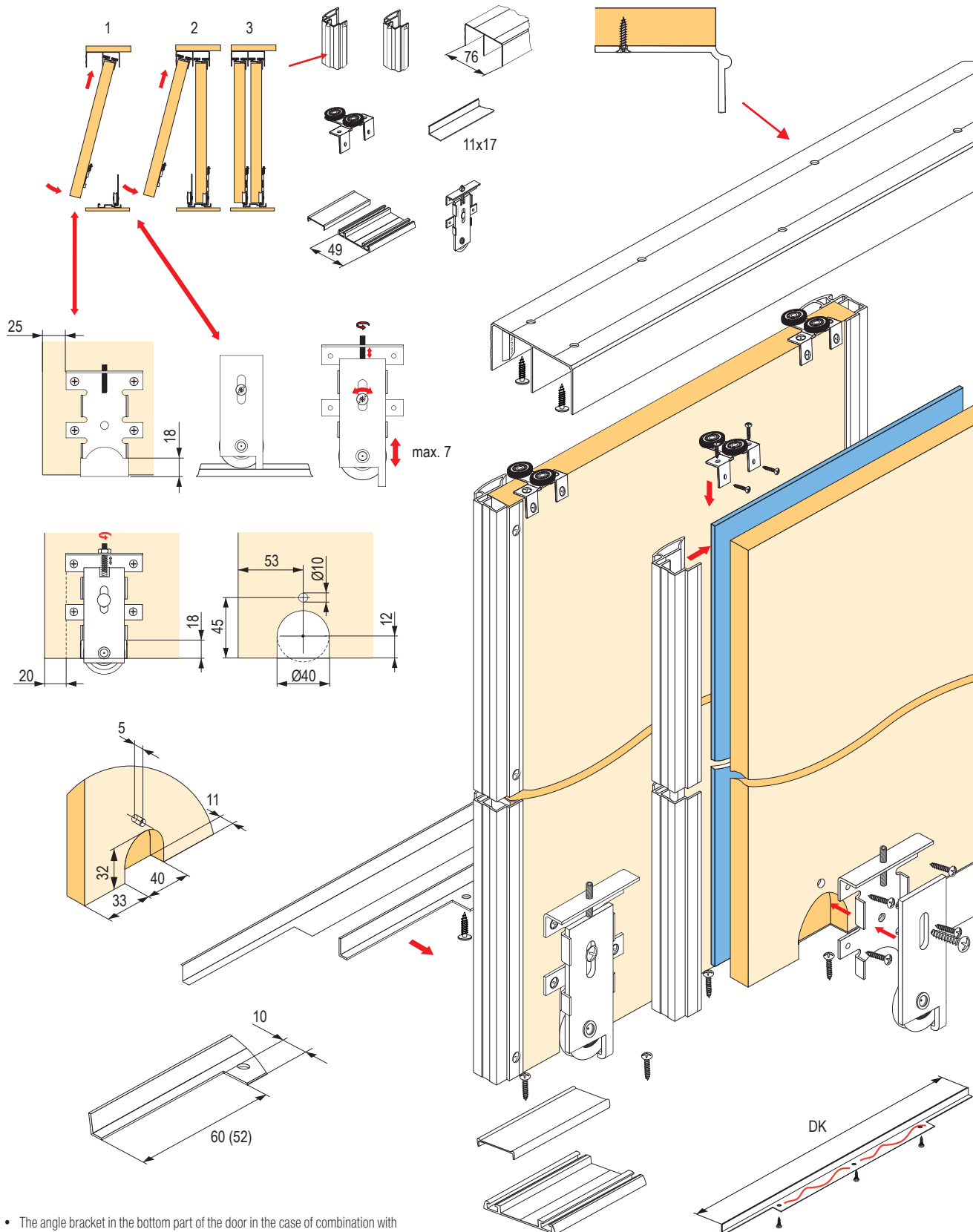
code	description
<b>216363</b>	sliding wardrobe lock



# example of mounting of built-in sliding cabinet – 18 mm thick panel

## ALFA II handle profile

• mounting diagrams for other handles are available for download on [www.demos-trade.com](http://www.demos-trade.com)



• The angle bracket in the bottom part of the door in the case of combination with a glass panel, silicon sealant applied.

# soft closer for built-in sliding cabinets – 18 mm thick panel

## Sevroll

Standard soft closers for systems 10 and 18 mm

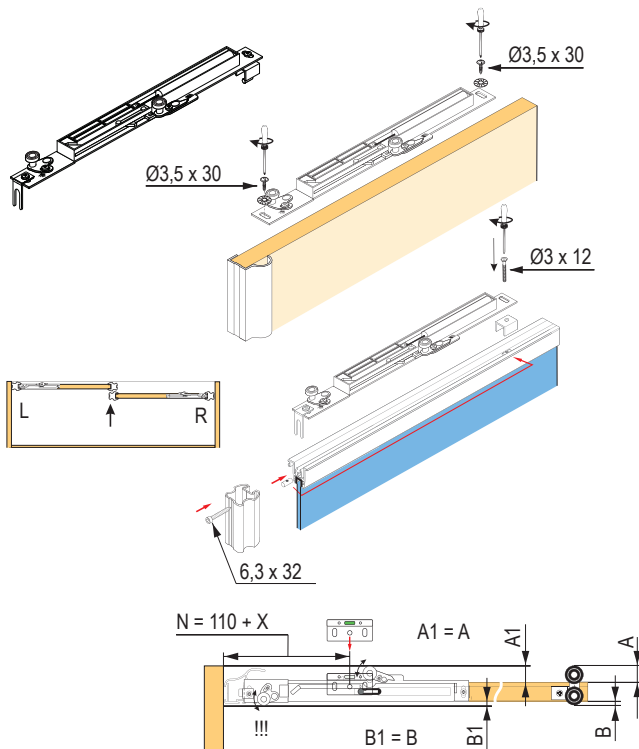
- replacement for top running components
- adjustable width – can be used for standard guide as well as COMFORT and Maxim guides
- for correct operation, correct adjustment with respect to the rail width and positions in the rail must be carried out
- handle profile must not touch the rails, distances must be the same as when using conventional running components in order to prevent door torsion

description	code
for door weight 14–25 kg	<b>227185</b>
for door weight 25–50 kg	<b>227187</b>

- package contains 2 pcs - right + left
- soft closers are also available individually, right and left versions

**Attention!**

Before inserting the doors, stretch the soft closer trap.  
Do not install positioner if using soft closers.



## Mini SV

- for door weights up to 25/40/60 kg
- 3 heights of trap in the package, for fine adjustment
- when using the Single simple rail, gently grind the bottom edges of the trap so it touches the rail with its entire surface

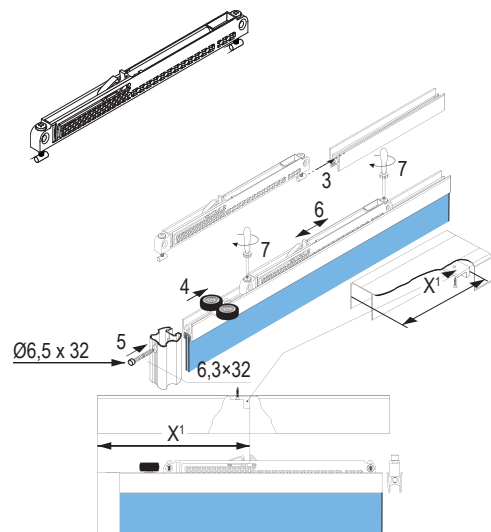
description	code
Mini SV-25 (14 – 25 kg)	<b>318662</b>
Mini SV-40 (25–40 kg)	<b>283956</b>
Mini SV-60 (40 – 60 kg)	<b>351743</b>

**Important**

When the door is closed for the first time, the soft closers are not activated. Close the door slowly to activate the soft closers (click).

Rapid impact can damage the soft closer as the door strikes the end position without soft closing.

Always demonstrate before handing the product to the customer in order to prevent possible complications.

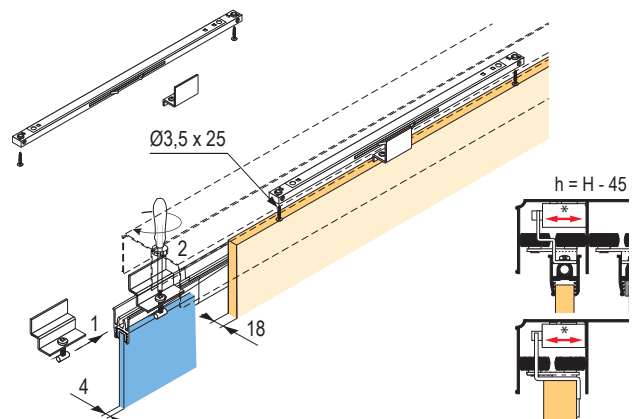


## Central SV

- double-sided soft closer, for the middle door; it allows opening to both sides, stops the middle door in a central position from both sides
  - for door weights up to 25/40 kg
  - when using the Single simple rail, gently grind the bottom edges of the trap so it touches the rail with its entire surface
- !** Note that the system requires reducing the door height, the total door height must be 44 mm less than the height of the hole.

description	code
Central SV-25 (double-sided) up to 25 kg	<b>318663</b>
Central SV-40 (double-sided) up to 40 kg	<b>283955</b>

- detailed instructions on individual soft closers are available for download on the portal, identified by a code

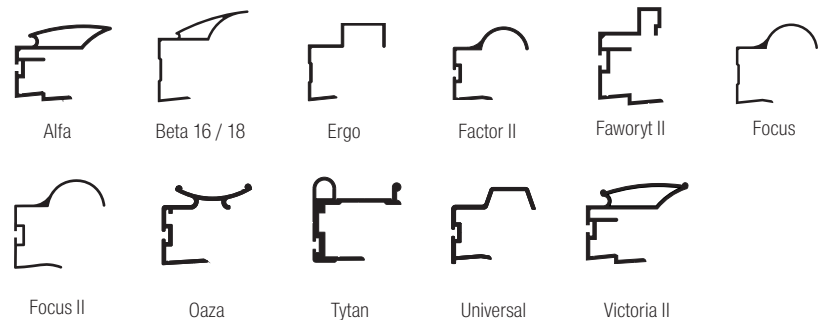
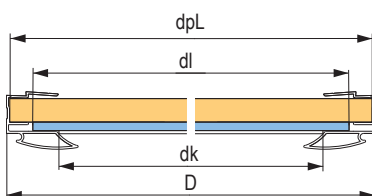
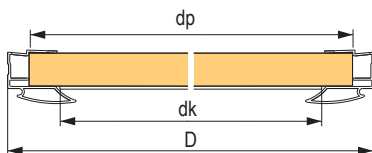
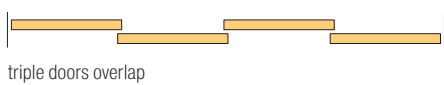


# table of calculations for the size and number of doors – 18 mm thick panel

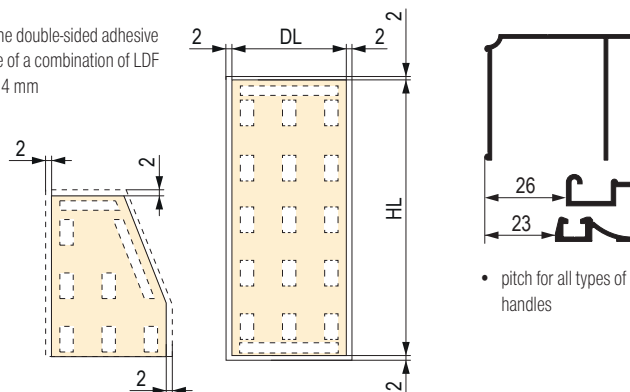
handle profile <sup>1)</sup>	door height h	panel height 18 mm hp	panel height mirror/glass 4 mm hl	door width d	panel width 18 mm dp	panel width 12 mm dpL	mirror/glass panel width 4 mm dl	bottom angle bracket length dk		
Alfa	h = H - 42 mm	hp = h - 2 mm	hl = hp - 4 mm	d = (D - 3 mm + Z) : N	dp = d - 22 mm	dpL = d - 7 mm	dl = dpL - 20 mm	dk = d - 48,4 mm		
Beta 16 / 18			×		dp = d - 3 mm	×	×	dk = d - 32,5 mm		
Ergo			×		dp = d - 7 mm	×	×	dk = d - 56 mm		
Factor II			×		dp = d - 19 mm	dpL = d - 7 mm	dl = dpL - 16 mm	dk = d - 33,6 mm		
Faworyt II			hl = hp - 4 mm		dp = d - 3 mm	×	×	dk = d - 58 mm		
Focus			×		dp = d - 7 mm	×	×	dk = d - 55,4 mm		
Focus II			×			×	×	dk = d - 48 mm		
Oaza			×			dpL = d - 7 mm	dl = dpL - 4 mm	dk = d - 62,4 mm		
Tytan			×		dp = d - 22 mm	dpL = d - 7 mm	dl = dpL - 20 mm	dk = d - 48,4 mm		
Universal										
Victoria II										

<sup>1)</sup> handle profile height is the same as the door height  
 H – inner hole height in mm  
 Z – overlap width in mm  
 W – inner hole width in mm  
 N – number of doors

handle	number of doors – N	2	3	4 (two doors overlap)	4 (triple doors overlap)	5
Alfa	overlap width in mm – Z	36	72	69	108	144
Beta 16 / 18		29	58	55	87	116
Ergo		28	56	53	84	112
Factor II		30	60	57	90	120
Faworyt II		18	36	33	54	72
Focus		30	60	57	90	120
Focus II		29	58	55	87	116
Oaza		31	62	59	93	124
Tytan		31	62	59	93	124
Universal		32	64	61	96	128
Victoria II		36	72	69	108	144



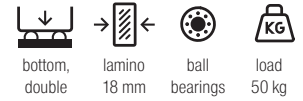
- positioning of the double-sided adhesive tape in the case of a combination of LDF 12 mm + glass 4 mm



- pitch for all types of handles

# solution for angled doors – Everest system – 18 mm thick panel

## Solution for angled doors – Everest system



- at least 3 doors must be used for this set
- angled door must be in the rear

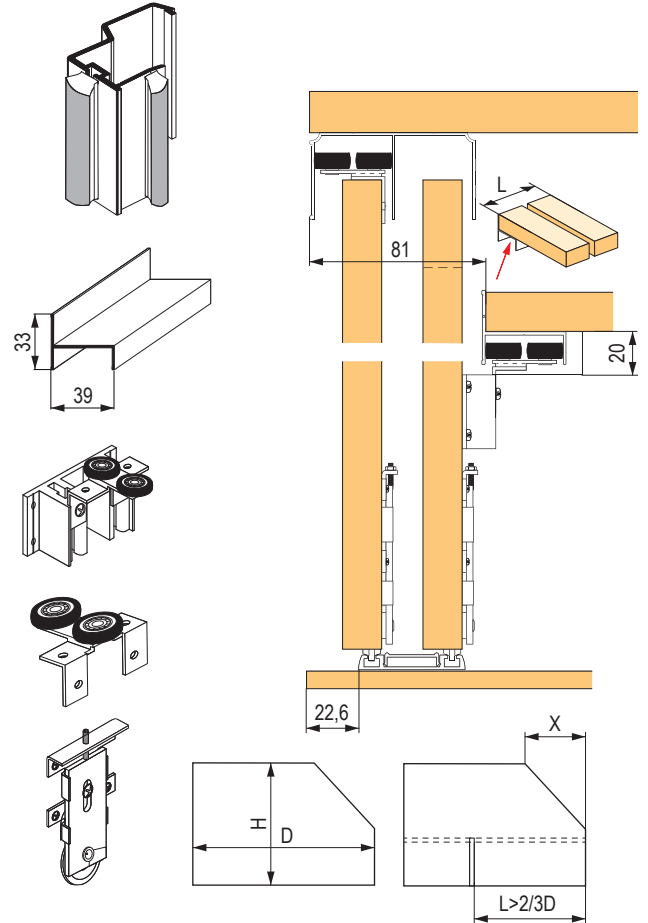
### Universal handle profile

- length 2.7 m, for LDF 18 mm or LDF 12 mm + mirror<sup>1)</sup>
- this profile is recommended by the producer, other profiles for 18 mm can be used while preserving precision of the cut

colour	code
silver	<b>90106</b>
olive	<b>90105</b>

description	code
Everest guide rail 3 m silver	<b>98077</b>
set of running components for auxiliary guide	<b>98078</b>

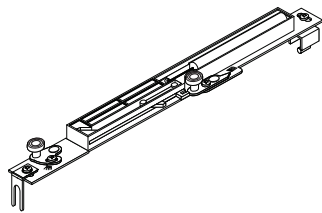
description	code
set of top running components	<b>228023</b>
set of bottom running components	<b>362316</b>
backstop brush	<b>229433</b>
anti-dust brush	<b>361759</b>



L = length of EVEREST guide  
 $L_{min} = \frac{2}{3} D$   
 $L_{max} = D$

X = bevel length  
 $d_s$  = angled door width  
 $d_s \geq x$

### Soft closer



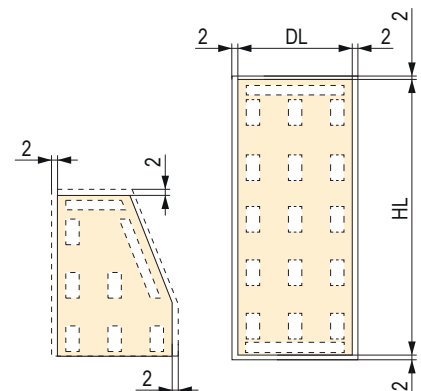
description	code
for door weight 14–25 kg	<b>227185</b>
for door weight 25–50 kg	<b>227187</b>

- universal soft closer, also replaces 1 top running component
- package contains 2 pcs - right + left
- soft closers are also available individually, right and left versions
- the soft closer can be used on the angled door only if the angled door has a sufficiently long horizontal component for soft closer installation

- the soft closer can be used on the angled part only if the angled door has a sufficiently long horizontal component in the length of the soft closer

for additional accessories, see p. 07.36

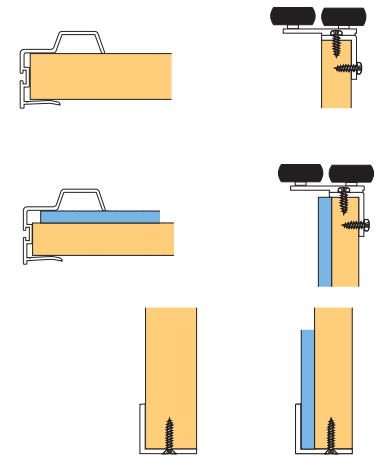
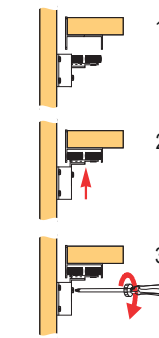
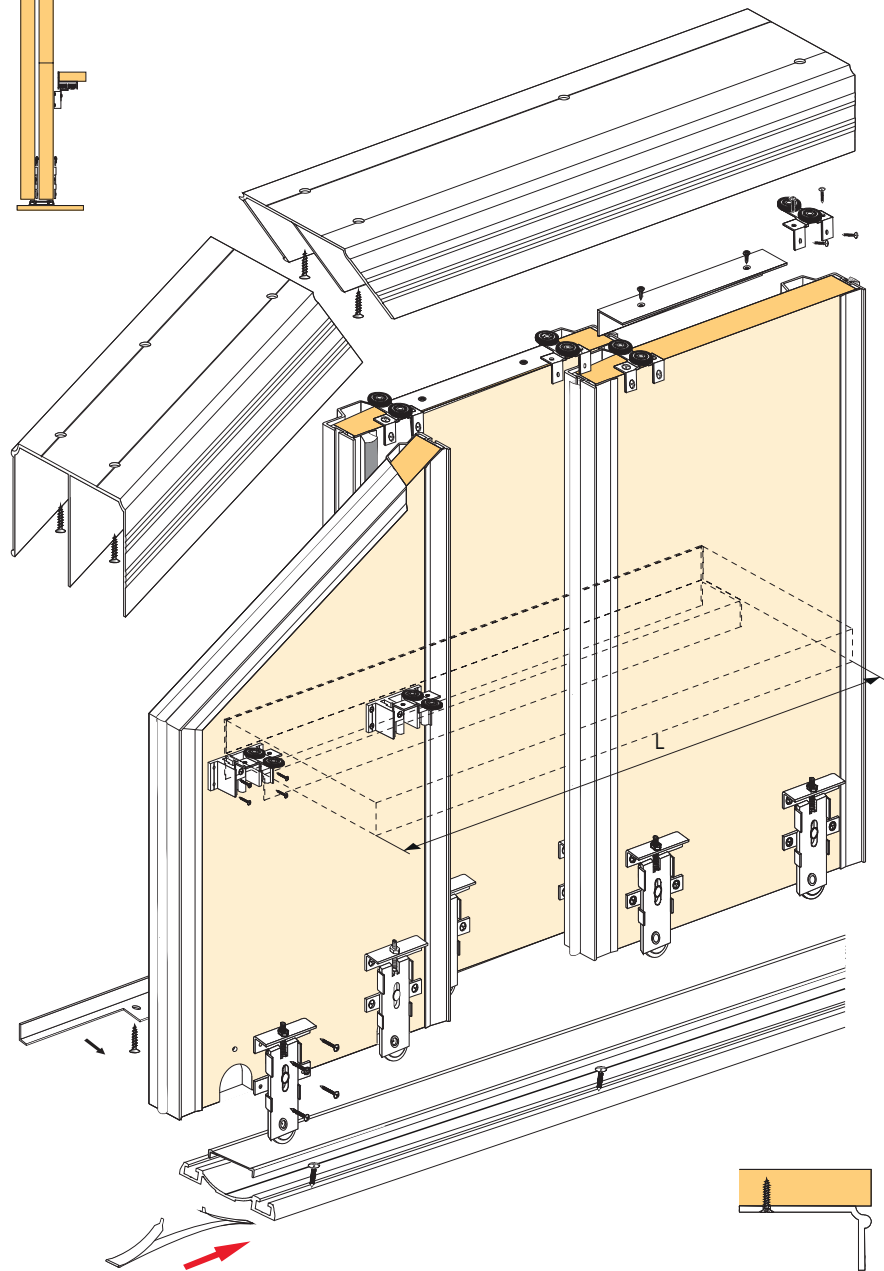
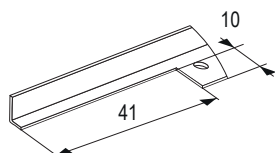
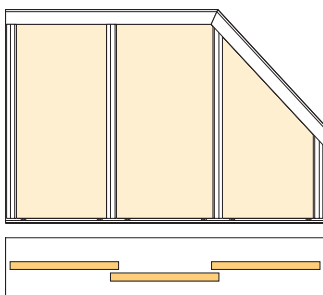
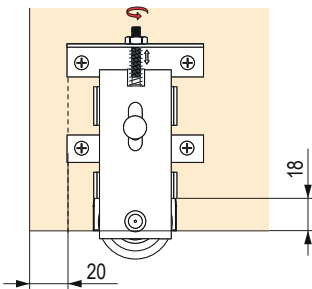
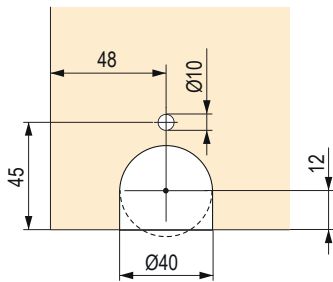
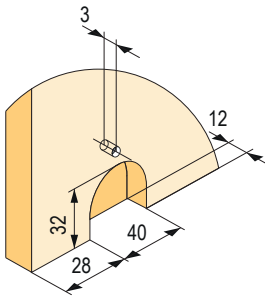
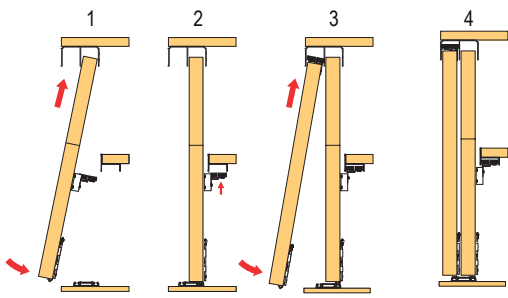
for calculations table, see p. 07.52



- positioning of the double-sided adhesive tape in the case of a combination of LDF 12 mm + glass 4 mm

- the maximum door dimensions when using a mirror is 2 400 × 700 mm
- use a double-sided adhesive tape for connection LDF 12 mm and the mirror
- use a corner bracket on the bottom edge of the door (see p. 07.68)

# solution for angled doors – Everest system – 18 mm thick panel



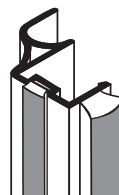
# built-in sliding wardrobes – 18 mm thick panel / glass

- COMFORT series shares COMFORT top guide and Doubler bottom guide
- handle profiles have more space for fastening
- cannot be used with other guide types

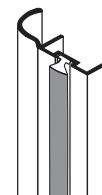
## Individual handle profiles



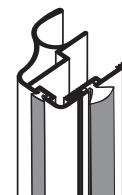
handle / surface treatment	silver	olive
Comfort II 2,7 m 18 mm	<b>135555</b>	<b>135556</b>
Minicomfort II	<b>135552</b>	<b>135553</b>
Unicomfort II	<b>135684</b>	<b>135685</b>



Comfort II



Minicomfort II

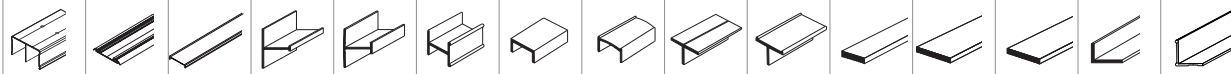


Unicomfort II

## Accessories – profile

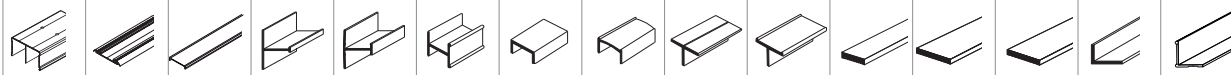
### Silver

profile length	Comfort top guide	Doubler II bottom guide	Doubler II cover profile (mask)	connecting profile H04	connecting profile H08	H18 Decor connecting profile	U profile for LDF 18 mm	U profile decor on LDF 18 mm	T profile	Decor T profile	decorative stick-on strip 10 mm <sup>1)</sup>	decorative stick-on strip 20 mm <sup>1)</sup>	decorative self-adhesive strip 18 mm	Mini angle bracket 17 × 11 mm	K2 Decor angle bracket 19 × 18 mm
1,7 m	<b>98110</b>	<b>163106</b>	<b>163122</b>	x	x	x	x	x	x	x	x	x	x	<b>89134</b>	<b>89050</b>
2,35 m	<b>227321</b>	<b>163107</b>	<b>163123</b>	x	x	x	x	x	x	x	x	x	x	<b>89137</b>	<b>89053</b>
3 m	<b>227324</b>	<b>163108</b>	<b>163125</b>	<b>135149</b>	<b>135152</b>	<b>89010</b>	<b>89269</b>	<b>89016</b>	<b>89188</b>	<b>89013</b>	<b>135156</b>	<b>134300</b>	<b>308640</b>	<b>89140</b>	<b>89056</b>
4,05 m	<b>98079</b>	<b>98107</b>	<b>162670</b>	x	x	x	x	x	x	x	x	x	x	x	x
6 m	<b>227196</b>	<b>163110</b>	<b>163128</b>	x	x	x	x	x	x	x	x	x	x	x	x



### Olive

profile length	Comfort top guide	Doubler II bottom guide	Doubler II cover profile (mask)	connecting profile H04	connecting profile H08	H18 Decor connecting profile	U profile for LDF 18 mm	U profile decor on LDF 18 mm	T profile	Decor T profile	decorative stick-on strip 10 mm <sup>1)</sup>	decorative stick-on strip 20 mm <sup>1)</sup>	decorative self-adhesive strip 18 mm	Mini angle bracket 17 × 11 mm	K2 Decor angle bracket 19 × 18 mm
1,7 m	<b>98111</b>	<b>163111</b>	<b>163129</b>	x	x	x	x	x	x	x	x	x	x	<b>89133</b>	<b>89052</b>
2,35 m	<b>98113</b>	<b>163112</b>	<b>163131</b>	x	x	x	x	x	x	x	x	x	x	<b>89136</b>	<b>89055</b>
3 m	<b>98115</b>	<b>163113</b>	<b>163132</b>	<b>130994</b>	<b>135151</b>	<b>89012</b>	<b>89268</b>	<b>89018</b>	<b>89187</b>	<b>89015</b>	<b>135157</b>	<b>135154</b>	<b>308641</b>	<b>89139</b>	<b>89058</b>
4,05 m	<b>98117</b>	<b>163114</b>	<b>163133</b>	x	x	x	x	x	x	x	x	x	x	x	x
6 m	<b>227197</b>	<b>163115</b>	<b>163134</b>	x	x	x	x	x	x	x	x	x	x	x	x



<sup>1)</sup> for bonding with double-sided adhesive tape or glue (not included)

# built-in sliding wardrobes – 18 mm thick panel / glass

## Accessories – other

code	accessories – other
<b>98092</b>	set of top running components
<b>362316</b>	set of bottom running components for guide Elegant II, unsprung
<b>362252</b>	set of bottom running components for guide Elegant II, with spring
<b>229433</b>	backstop brush 4.8 × 4 mm grey
<b>196947</b>	backstop brush 4.8 × 6 mm grey
<b>89284</b>	backstop self-adhesive brush 4.8 × 4 mm grey
<b>89131</b>	backstop self-adhesive brush 6.7 × 4 mm grey
<b>95946</b>	anti-dust slide-in brush 4.8 × 13 grey

code	accessories – other
<b>361759</b>	anti-dust self-adhesive brush 6.7 × 9 mm grey
<b>308639</b>	anti-dust self-adhesive brush 6.7 × 13 mm grey
<b>223569</b>	backstop brush staple <sup>1)</sup>
<b>308631</b>	distance wedge when using 16 mm panel
<b>98019</b>	screw for attaching bottom guide
<b>89063</b>	bottom positioner
<b>298035</b>	top positioner
<b>x</b>	soft closers, see p. 07.61

<sup>1)</sup> to secure the brush against sticking or shifting

## Calculation table:

handle profile <sup>1)</sup>	door height h	panel height 16/18 mm hp	panel height mirror/glass 4 mm hl	doors width door d	panel width 18 mm dp	panel width 12 mm dpL	panel width mirror/glass 4 mm dl	bottom angle bracket length dk
Comfort II 16	h = H - 42 mm	hp = h - 2 mm	hl = hp - 4 mm	d = (D - 3 mm + Z) : N	dp = d - 7 mm	dpL = d - 7 mm	dl = dpL - 34 mm	after folding the door
Comfort II 18			x			x		
Minicomfort II			x			x		
Unicomfort II			hl = hp - 4 mm			dpL = d - 7 mm	dl = dpL - 36 mm	

H – inner hole height in mm

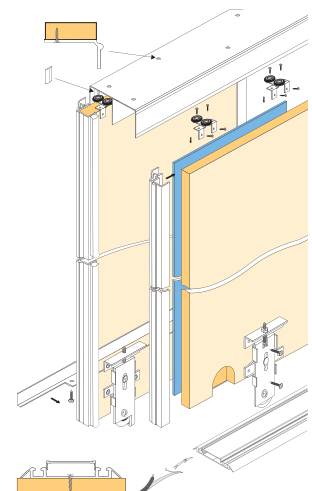
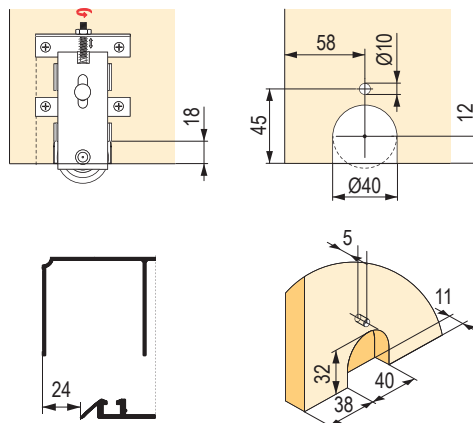
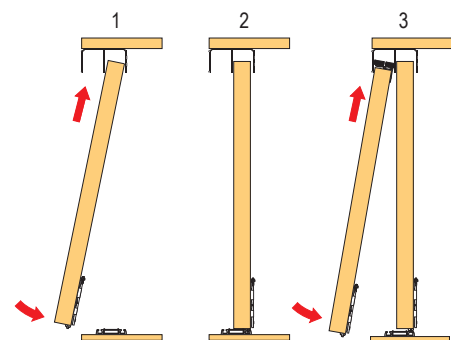
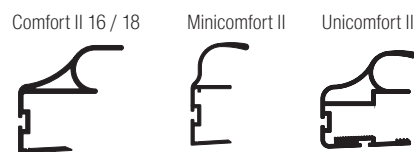
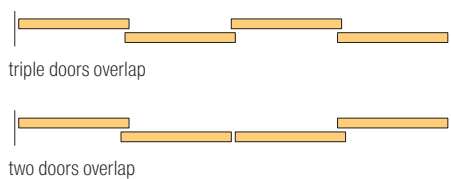
Z – overlap width in mm

W – inner hole width in mm

N – number of doors

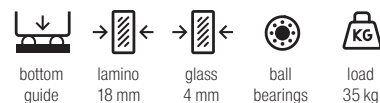
<sup>1)</sup> handle profile height is the same as the door height

handle	number of doors – N	2	3	4 (two doors overlap)	4 (triple doors overlap)	5
Comfort II 16 / 18	overlap width in mm – Z	35	70	67	105	140
Minicomfort II		20	40	37	60	80
Unicomfort II		35	70	67	105	140



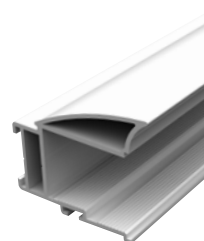
# Simple Blue system for built-in sliding cabinets – 18 mm thick panel

- top running components are screwed into the lamino, bottom running components are milled-in
- the advantage is a favourable price while maintaining the run of sufficient quality
- we recommend using the widest doors possible; narrow tall doors are less stable



## Individual handle profiles (without frame system)

	silver	olive	white polished	black matt
Era 2,7 m	<b>349474</b>	<b>349794</b>	<b>372603</b>	<b>488246</b>
Rekord 2,7 m	<b>341559</b>	<b>341560</b>	x	<b>488247</b>



Era



Rekord

## Accessories – profile

### Silver

profile length	top guide Blue	Blue V bottom guide	end cap for Blue-V <sup>3)</sup> bottom guide	H21 connecting strip	H28 <sup>1)</sup> connecting strip	connecting profile H04	connecting profile H08	decorative stick-on strip 10 mm <sup>2)</sup>	decorative stick-on strip 20 mm <sup>2)</sup>	decorative self-adhesive strip 18 mm
1,5 m	<b>349796</b>	<b>349810</b>	<b>216362</b>	x	x	x	x	x	x	x
2 m	<b>349475</b>	<b>349476</b>		x	x	x	x	x	x	x
3 m	<b>349802</b>	<b>349814</b>		<b>336796</b>	<b>328825</b>	<b>135149</b>	<b>135152</b>	<b>135156</b>	<b>134300</b>	<b>308640</b>
4 m	<b>349804</b>	<b>349819</b>		x	x	x	x	x	x	x
6 m	x	<b>349818</b>		x	x	x	x	x	x	x



### Olive

profile length	top guide Blue	Blue V bottom guide	end cap for Blue-V <sup>3)</sup> bottom guide	H21 connecting strip	H28 <sup>1)</sup> connecting strip	connecting profile H04	connecting profile H08	decorative stick-on strip 10 mm <sup>2)</sup>	decorative stick-on strip 20 mm <sup>2)</sup>	decorative self-adhesive strip 18 mm
1,5 m	<b>349797</b>	<b>349812</b>	<b>216362</b>	x	x	x	x	x	x	x
2 m	<b>349798</b>	<b>349809</b>		x	x	x	x	x	x	x
3 m	<b>349801</b>	<b>349815</b>		<b>224158</b>	<b>223560</b>	<b>130994</b>	<b>135151</b>	<b>135157</b>	<b>135154</b>	<b>308641</b>
4 m	<b>349805</b>	<b>349816</b>		x	x	x	x	x	x	x
6 m	<b>349806</b>	<b>349817</b>		x	x	x	x	x	x	x



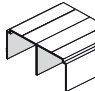





<sup>1)</sup> screw-on version, connecting screw 346726

<sup>2)</sup> for bonding with double-sided adhesive tape or glue (not included)

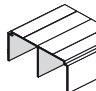



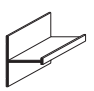
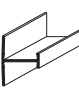


<sup>3)</sup> sold by the metre

# Simple Blue system for built-in sliding cabinets – 18 mm thick panel

## White polished

profile length	top guide Blue	bottom guide Blue V	end cap for Blue-V <sup>3)</sup> bottom guide	connecting strip H21	connecting strip H28 <sup>1)</sup>	decorative strip self-adhesive 18 mm
2 m	<b>394287</b>	<b>394283</b>	<b>216362</b>	x	x	x
3 m	<b>394289</b>	<b>394284</b>		<b>394273</b>	<b>394281</b>	<b>364016</b>
4 m	x	x		x	x	x
6 m	<b>394290</b>	<b>394285</b>		x	x	x
						

## Black matt

profile length	top guide Blue	Blue V bottom guide	end cap for Blue-V <sup>3)</sup> bottom guide	H21 connecting strip	connecting profile H04	connecting profile H08	decorative stick-on strip 10 mm <sup>2)</sup>	decorative self-adhesive strip 18 mm
2 m	<b>488266</b>	<b>488257</b>	<b>216362</b>	x	x	x	x	x
3 m	<b>488267</b>	<b>488258</b>		<b>488239</b>	<b>497947</b>	<b>497948</b>	<b>491112</b>	<b>497949</b>
4 m	x	x		x	x	x	x	x
6 m	<b>488268</b>	<b>488259</b>		x	x	x	x	x
								

<sup>1)</sup> screw-on version, connecting screw 346726

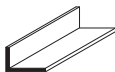

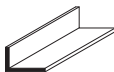

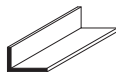
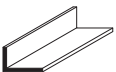
<sup>3)</sup> sold by the metre

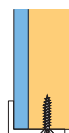
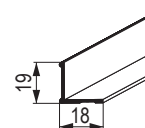
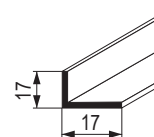
<sup>2)</sup> for bonding with double-sided adhesive tape or glue (not included)

## Accessories – other

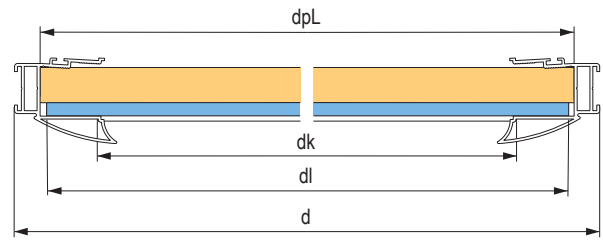
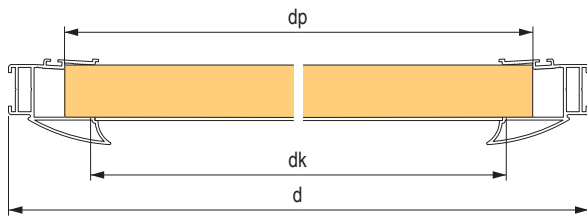
set of bottom running components for Blue-V guide	fastening wedges (40 pcs)	backstop brush 14 × 4 mm, grey	backstop brush 14/4 mm white	backstop brush 14 / 4 mm, black	anti-dust brush	bottom positioner	top positioner
<b>349735</b>	<b>349856</b>	<b>98067</b>	<b>306523</b>	<b>409700</b>	<b>95946</b>	<b>229681</b>	<b>298035</b>

## Accessories – angle brackets

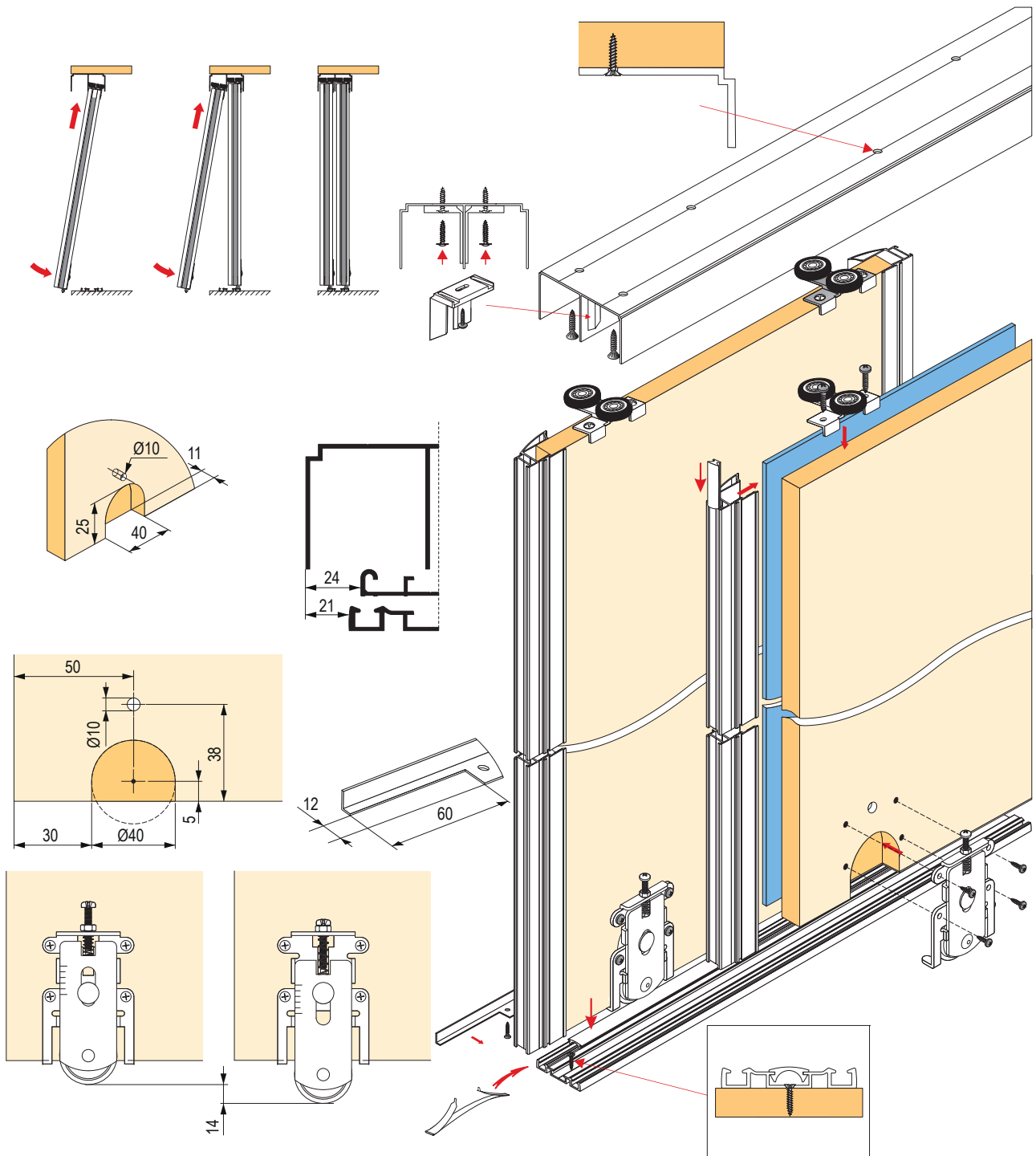
length of the profile	silver		olive		white polished	black matt
	Mini angle bracket 17 × 11 mm	K2 Decor angle bracket 19 × 18 mm	Mini angle bracket 17 × 11 mm	K2 Decor angle bracket 19 × 18 mm	Mini angle bracket 17 × 11 mm	Mini angle bracket 17 × 11 mm
1,7 m	<b>89134</b>	<b>89050</b>	<b>89133</b>	<b>89052</b>	<b>276735</b>	<b>422014</b>
2,35 m	<b>89137</b>	<b>89053</b>	<b>89136</b>	<b>89055</b>	<b>276732</b>	<b>409682</b>
3 m	<b>89140</b>	<b>89056</b>	<b>89139</b>	<b>89058</b>	<b>267880</b>	<b>412226</b>
						



# example of mounting of built-in sliding cabinet – 18 mm thick panel



## Era and Rekord handle profiles



# Simple Blue system for built-in sliding cabinets – 18 mm thick panel

## Calculation table:

handle profile <sup>1)</sup>	door height h <sup>2)</sup>	panel height 18 mm hp	panel height mirror/glass 4 mm hl	doors width door d	panel width 18 mm dp	panel width 12 mm dpL	panel width mirror/glass 4 mm dl	bottom angle bracket length dk
Era	h = H - 40 mm	hp = h - 1 mm	hl = hp - 4 mm	d = (D - 3 mm + Z) : N	dp = d - 37 mm	dpL = d - 17 mm	dl = dpL - 6 mm	dk = d - 57 mm
Rekord								

H – inner hole height in mm

Z – overlap width in mm

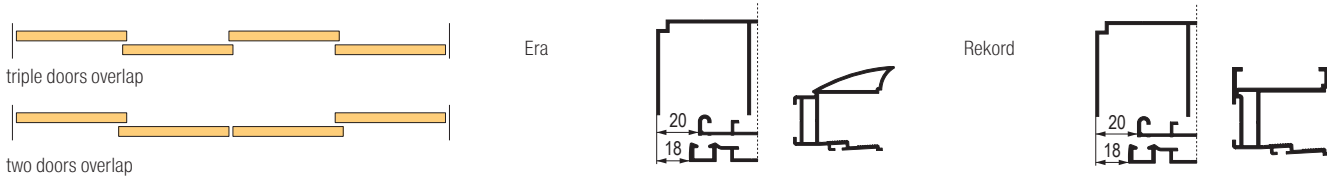
W – inner hole width in mm

N – number of doors

<sup>1)</sup> handle profile height is the same as the door height

<sup>2)</sup> door height is reduced by an additional 5 mm when using soft closers

handle	number of doors – N	2	3	4 (two doors overlap)	4 (triple doors overlap)	5
Era	overlap width in mm – Z	34	68	65	102	136
Rekord		30	60	57	90	120



## Soft-closing systems

### Mini SV

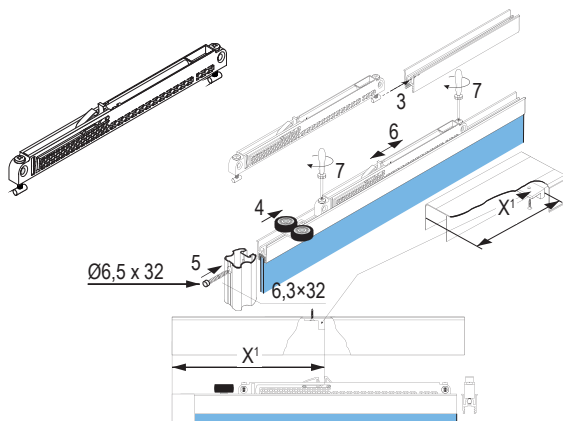
- for door weights up to 25/40/60 kg
- 3 heights of trap in the package, for fine adjustment
- when using the Single simple rail, gently grind the bottom edges of the trap so it touches the rail with its entire surface

description	code
Mini SV-25 (14–25 kg)	<b>318662</b>
Mini SV-40 (25–40 kg)	<b>283956</b>
Mini SV-60 (40–60 kg)	<b>351743</b>

#### Important

When the door is closed for the first time, the soft closers are not activated. Close the door slowly to activate the soft closers (click).

Rapid impact can damage the soft closer as the door strikes the end position without soft closing. Always demonstrate before handing the product to the customer in order to prevent possible complications.

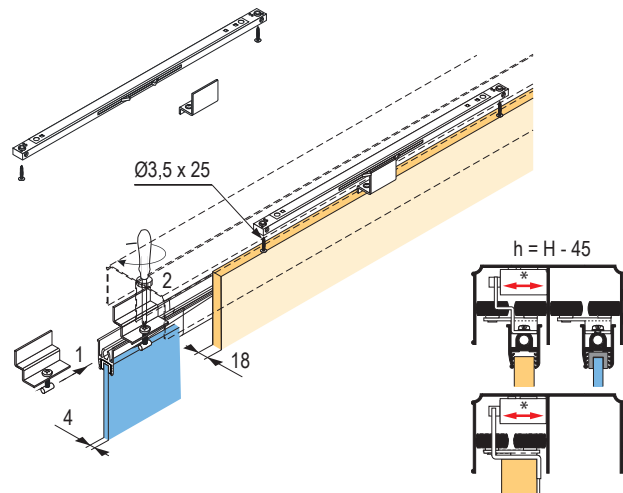


### Central SV

- double-sided soft closer, for the middle door; it allows opening to both sides, stops the middle door in a central position from both sides
- for door weights up to 25/40 kg
- Attention! Requires a reduction in door height, the overall door height must be 44 mm lower than the hole height
- when using in the Single simple rail, gently grind the bottom edges of the trap so it touches the rail with its entire surface

description	code
Central SV-25 (double-sided) up to 25 kg	<b>318663</b>
Central SV-40 (double-sided) up to 40 kg	<b>283955</b>

- detailed instructions on individual soft closers are available for download on the portal, identified by a code

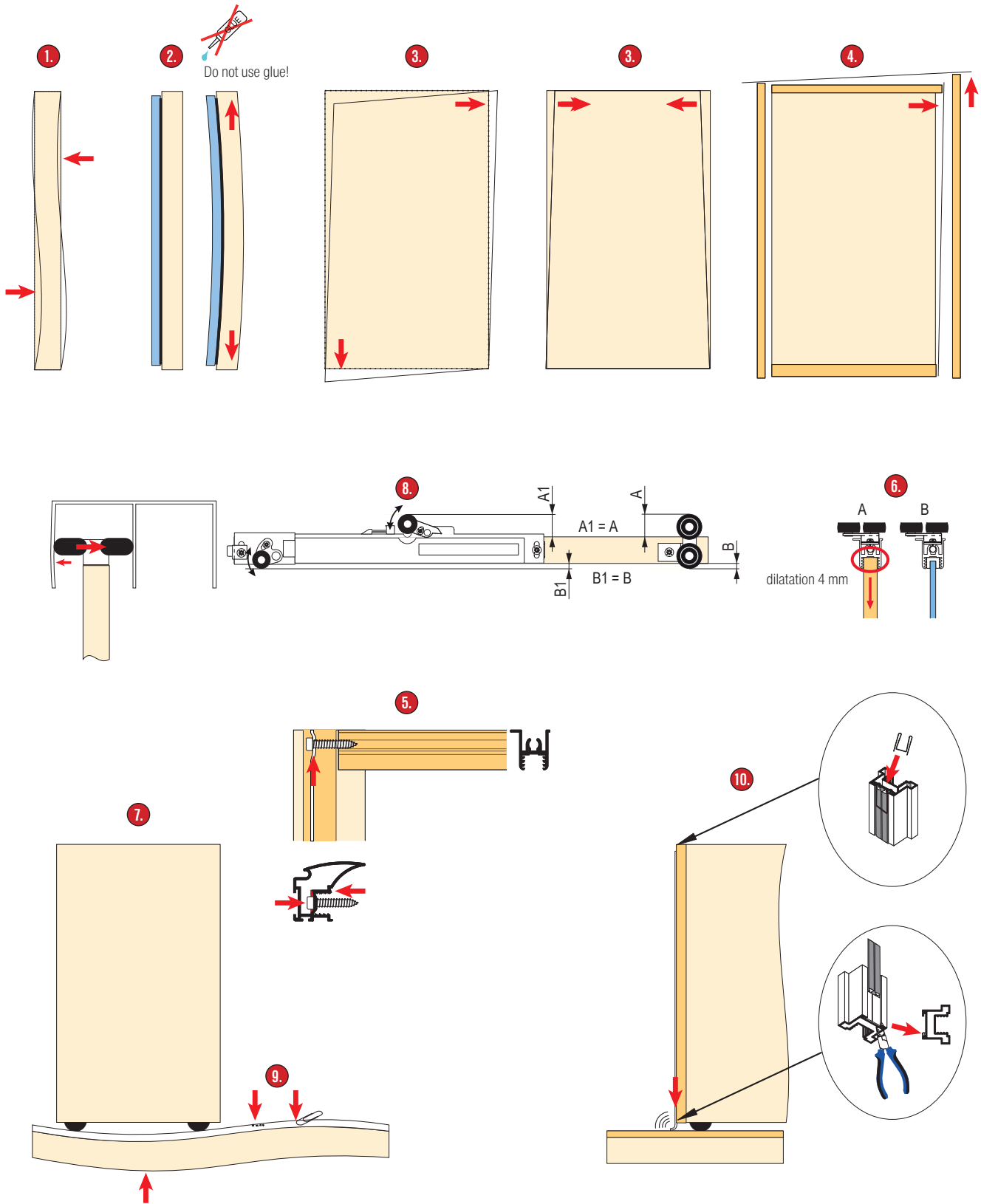


# built-in sliding cabinets – 18 mm thick panel

## Troubleshooting the most common problems

defect	possible causes	drawing	solution
Door bending.	Panel distortion – laminate board, e.g. due to changes in humidity.	1	Milling-in grooves on the rear side of the door. Groove width 2–3 mm, groove depth lamino 10 mm – ca. 3 mm, lamino 18 mm ca. 8 mm.
			Note that laminate board manufacturers recommend edging boards as well as sides that are hidden in the profile due to possible damp suction.
			In damp environments and in areas with substantial change of ambient conditions, it is necessary to use more solid profiles. Additional door straighteners must be used in extreme conditions.
	Excessive difference between the thickness of lamino and the groove in the profile.		Laminate boards have certain manufacturing tolerance and tolerance also applies to aluminium profiles. In the event that the thickness of the laminate panel exceeds the groove dimension in the profile, we recommend milling off the excess to a maximum of 0.1–0.2 mm above the standard dimension.
	Twisting of the panel due to varnishing, veneering, etc.		These processes may cause a considerable twisting of the board. To decrease the risk, it is possible to use the same technology also for the other side of the board.
	Sticking the glass panel on a laminate board 12 mm.	2	We recommend using double-sided adhesive tapes to attach glass panels. The drawing with the instructions shows placement of the adhesive tape, the largest area is placed at the bottom part of the door, the amount of the tape at the top may be smaller. We strongly warn against using glues and silicone. In such a case, there is a risk of substantial twisting of the door without any possibility of repair.
Door bending with frame systems.	Used panels not perpendicularly cut, uneven lengths of sides.	3	Check whether the panels are cut correctly, possibly cut them down to the correct dimensions.
	Horizontal frame strips are not perpendicularly cut.	4	Check whether the profiles are cut correctly, possibly cut them down to the correct dimensions.
	Deformation of profiles due to excessive tightening of connecting screws.	5	When tightening the connecting screws, make sure that the profiles are not deformed due to the excessive tightening of screws.
	Required dilatation 4 mm not complied with or cut to larger dimensions.	6	Dismantling the door and cutting it down to the right size.
Friction of the door against bottom guide	Align the base under the rail. Adjust bottom running components – the height of the door above the rail.		
Friction of the door against top guide.	Unevenness between top and bottom guide.	7	Compare positioning of top and bottom guide so that they are parallel.
	Incorrectly localised inner dimension and the subsequent wrong dimensions of the door.		Measure the inner dimensions of the cabinet and check the cabinet size, reduce the door height if necessary.
Braking of the door with a soft closer, noticeable resistance when moving.	Incorrectly mounted soft closer, incorrectly adjusted running component castors.	8	The soft closer has an adjustable pitch of castors for different types of guides. It is necessary to adjust the pitch so that the door moves without any play but the pressure is not too strong.
Friction of the door with a soft closer.	Incorrectly adjusted running component castors.		The door must not touch the guide, it is necessary to adjust the running components so that any contact is prevented.
Friction of bottom running components, noise during movement.	Dirt in guides.	9	Vacuum any dirt in guides, wipe the guides.
	Bottom running components damaged by dirt in guides (e.g. a paper clip in the guide).		Replacement of running components.
	Damage of guides – e.g. little stones in a shoe, etc.		Replacement of bottom guide.
Rustling sound when moving the door.	Backstop or anti-dust brush slid down in the handle profile groove and rubs against the guide.	10	Use a staples to fasten the brush, press the bottom end of the handle profile.

# built-in sliding cabinets – 18 mm thick panel



# door reinforcements

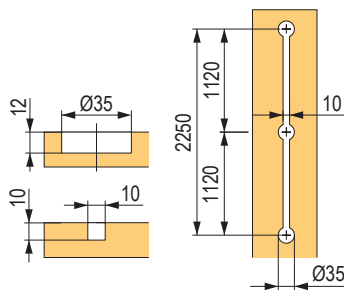
- panel infill: min. 18 mm
- maximum pitch: 2 250 mm
- one piece is sufficient for width of up to 750 mm, 2 pcs for wider doors
- in case of excessively wide doors, it is advisable to use straighteners also in the horizontal direction

## StrongLine



- prevents the bending of sliding doors with bottom guide; we recommend to use it for all doors with above-standard height or width or for doors with a glued mirror, etc.
- solution with threaded bars allows shortening to any pitch
- 4 clips are included in the set for better fixation of the bar in the cut-out

code	colour	hinge pitch (mm)
<b>351707</b>	white	2250
<b>351706</b>	black	



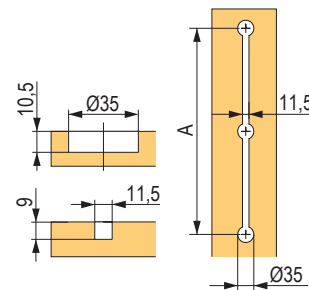
## Terno



- high-quality brace preventing tall door doors from bending
- metal cups, high strength, plastic cover of draw bars
- one piece is sufficient for width of up to 750 mm, 2 pcs for wider doors
- can be cut by up to 210 mm on each side

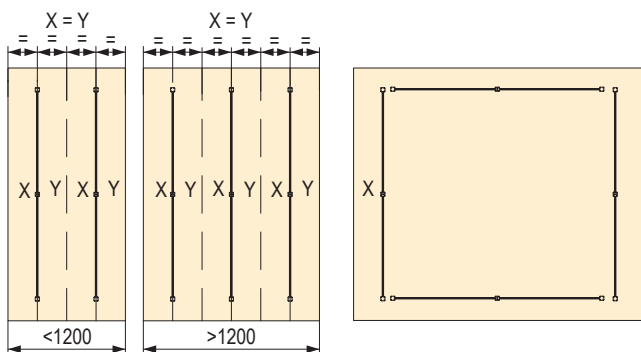
code	hinge pitch A (mm)
<b>475044</b>	2 248

- set of two complete reinforcements



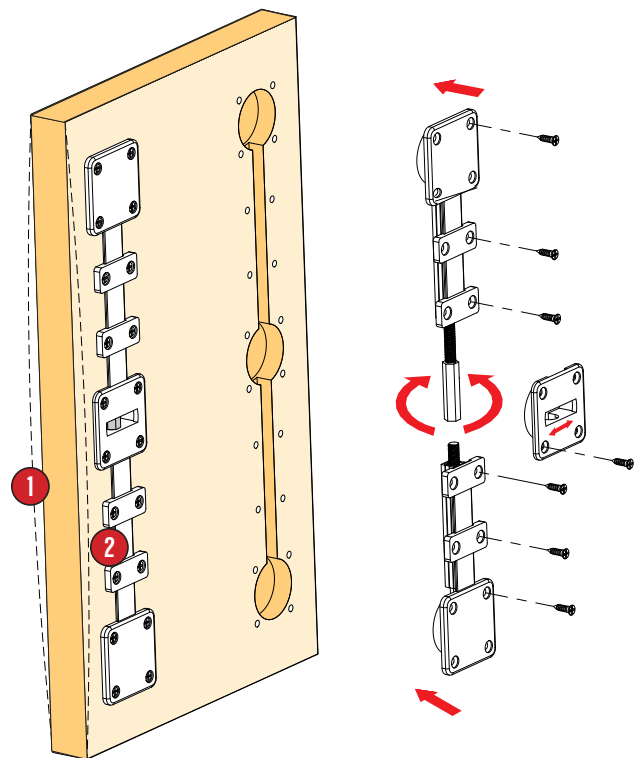
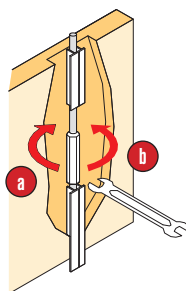
## Installation

After milling the grooves and cups deepening, cut threaded bars and cover caps for threaded bars. Slide cover caps on threaded bars and insert into grooves. The central cover cap has a dilatation area 5 mm on each side. Secure cover caps with attached clips. Instructions available for download on the portal.



### Use

If the door is in the position ①, screw the nut "P" in the direction ②, or conversely, if the door is in position ②, tighten in the opposite direction (direction ③).



# fittings for DAMA inset and full overlay doors

- allows full overlay and inset doors, or a combination of both
- elegant solution, extraordinary impression
- maximum door height 2.3 m



## For glass doors – full overlay

code	description
<b>156872</b>	set of fittings for 1 door 30 kg, without soft closing, Art. 1939 / 1915 / V / A

- designed for glass 4–6 mm

## For wooden doors – full overlay

code	description
<b>156874</b>	set of fittings for 1 door 30 kg, without soft closing, Art. 1931 / 1915 / L / A



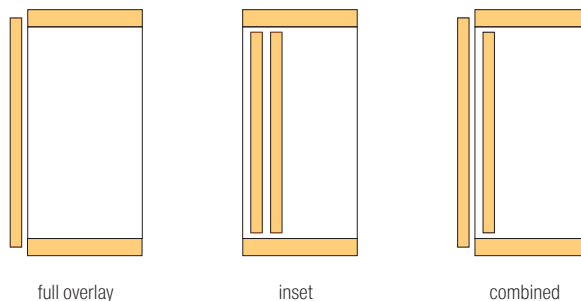
## For glass doors – inset

code	description
<b>156881</b>	set of fittings for 1 door 30 kg, without soft closing, Art. 1937 / 1915 / V / A

- designed for glass 4–6 mm

## For wooden doors – inset

code	description
<b>156885</b>	set of fittings for 1 door 30 kg, without soft closing Art. 1931 / 1915 / L



full overlay

inset

combined

## Running profiles

length guide	for full overlay doors Art. 1925 + 315	for inset doors Art. 1120
2 m	<b>156906</b>	<b>156900</b>
3 m	<b>156907</b>	<b>156901</b>

code	description
<b>178134</b>	side cover cap for full overlay guide, Art. 1923



# fittings for inset glass doors – for glass thickness of 5 mm

- system for inset sliding glass doors without the need of drilling into the glass
- in the top part, the glass slides in a plastic profile; only for glass thickness 5 mm

description	Art.	1,2 m	2 m	3 m
top guide	Art. 1604	<b>DT371</b>	<b>DT372</b>	<b>DT373</b>
bottom door profile	Art. 1600	<b>DT374</b>	<b>DT375</b>	×
bottom guide	Art. 1602	<b>DT376</b>	<b>DT377</b>	<b>DT378</b>

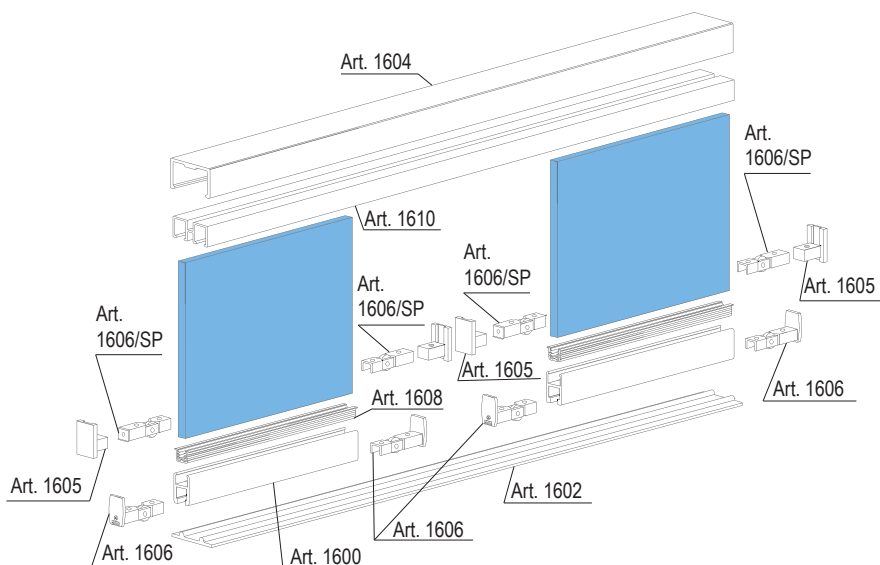
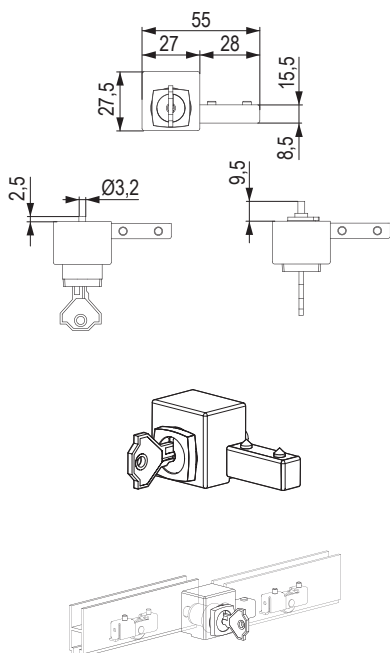
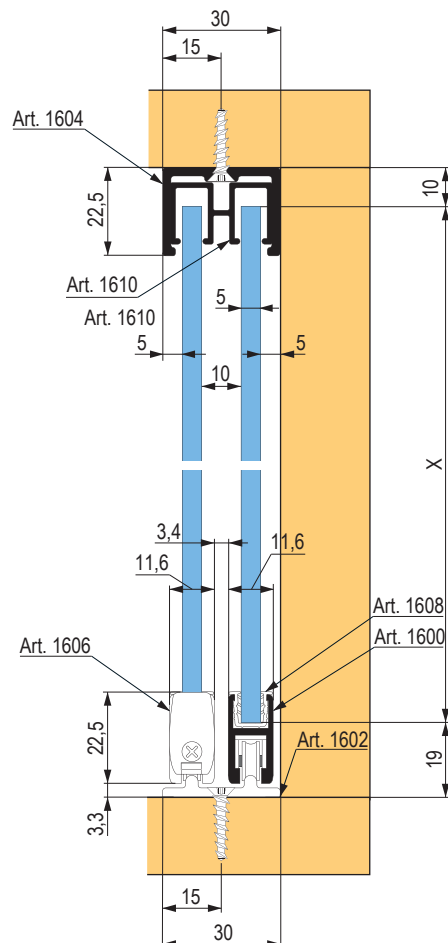
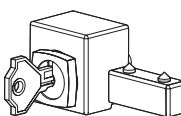
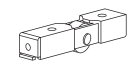
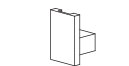
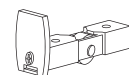
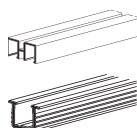
description	Art.	3 m
plastic strip, grey	Art. 1610	<b>DT379</b>
gaskets for 5 mm glass	Art. 1608	<b>DT380</b>

description	Art.	code
bottom end running component	Art. 1606	<b>DT381</b>

description	Art.	code
running component cover cap, grey	Art. 1605	<b>DT383</b>
bottom running component	Art. 1606/SP	<b>DT382</b>

description	Art.	code
lock	Art. 96	<b>156960</b>

- the use of the lock requires running components DT382 (2 pcs), replaces one side cover cap
- a hole for the lock hinge is drilled into the bottom profile of the second door, the running component must be behind the hole
- locks with the same keys are available on demand, code 205546



# fittings for inset glass doors – for glass thickness of 5 – 6 mm

## Fittings for glass doors thickness 5 – 6 mm

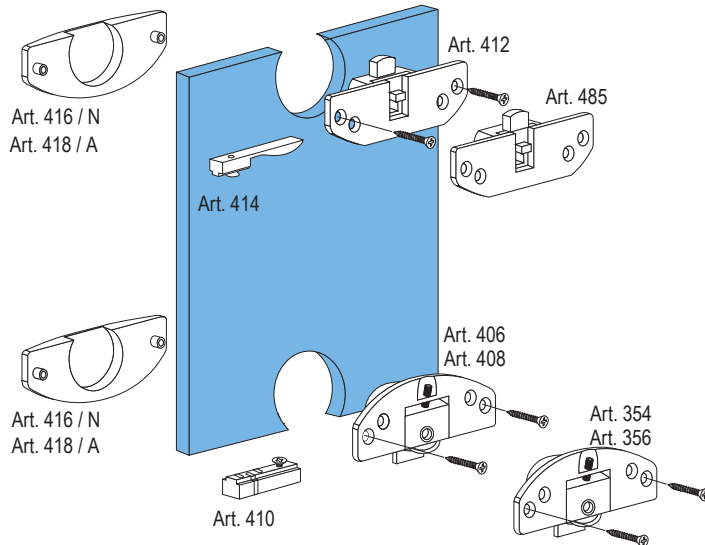
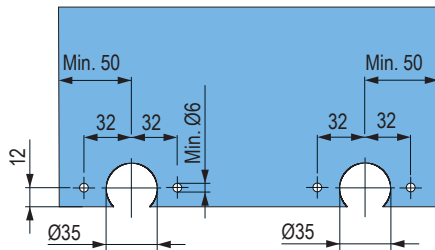
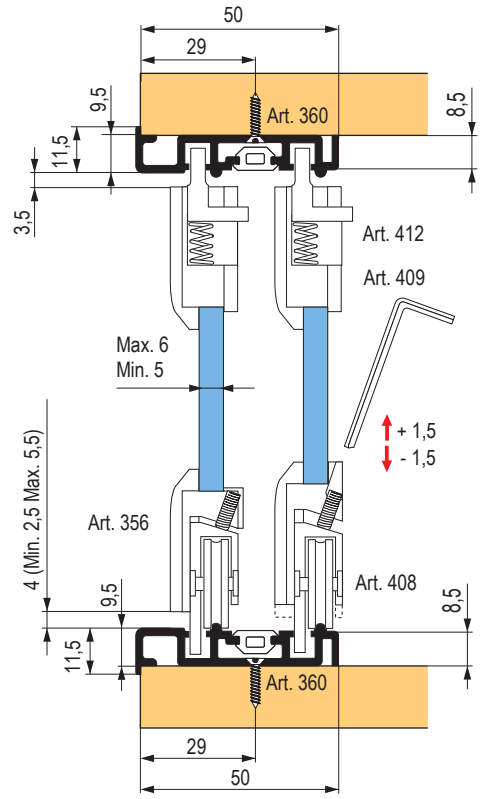
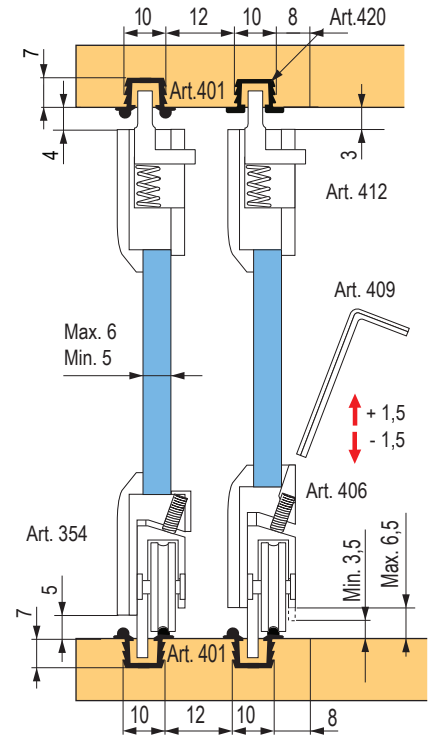


- system for smaller glass doors, with quiet and light operation
- holes for running components must be drilled, without soft closing option

code	description
<b>DT390</b>	fitting set for 1 door – max. 30 kg

length	top/bottom guide simple	top/bottom guide double
1,2 m	<b>DT395</b>	<b>DT397</b>
2 m	<b>DT391</b>	<b>DT398</b>
3 m	<b>DT392</b>	<b>DT399</b>

code	description
<b>460144</b>	rubber cover for double guide

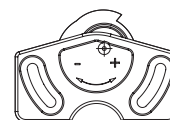


## Top and bottom running components



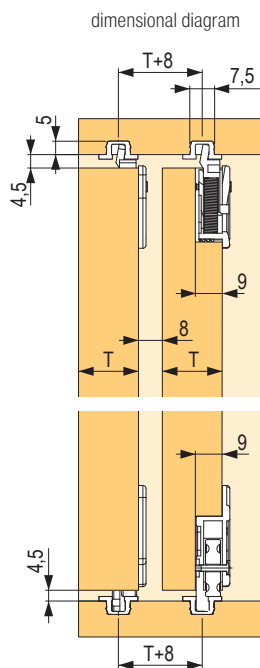
slider	white	brown	black	beige	grey
top	<b>359576</b>	<b>359577</b>	<b>359578</b>	<b>359579</b>	<b>359580</b>
bottom	<b>359566</b>	<b>359567</b>	<b>359570</b>	<b>359572</b>	<b>359574</b>

- plastic fittings for light sliding doors with max. load capacity 15 kg
- the system includes top and bottom sliders of the Unipos type, roller profiles – strips of the Gala type
- the main advantage of this system is its low price

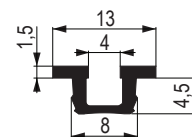
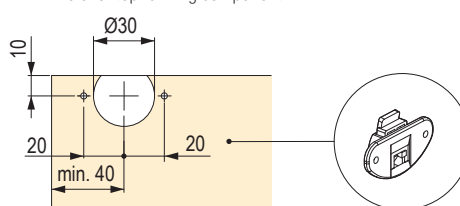


## Running profiles

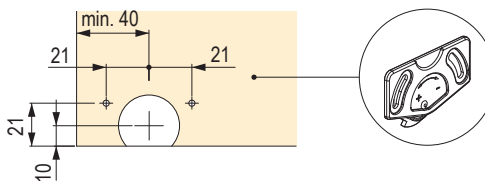
guide length	white	brown	black	beige	grey
1 m	<b>359546</b>	<b>359547</b>	<b>359548</b>	<b>359549</b>	<b>359550</b>
1,2 m	<b>359555</b>	<b>359556</b>	<b>359557</b>	<b>359558</b>	<b>359560</b>
1,8 m	<b>359561</b>	<b>359562</b>	<b>359563</b>	<b>359564</b>	<b>359565</b>



hole for top running component



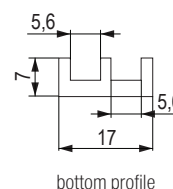
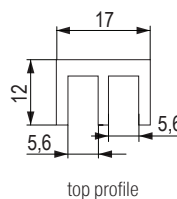
hole for the bottom running component



## Slider profiles for glass doors, without running components

guide	white	brown RAL 8017	black
top profile, 2 m	<b>205347</b>	<b>205348</b>	<b>205349</b>
bottom profile, 2 m	<b>205344</b>	<b>205345</b>	<b>205346</b>

- plastic profiles for sliding glass with load capacity of ca. 10 kg

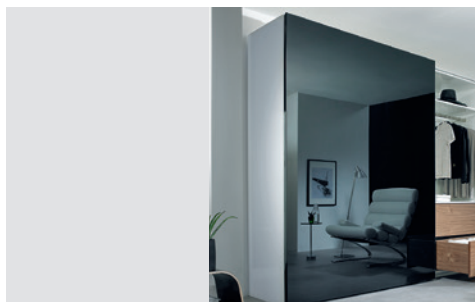


# fittings for sliding doors

---



# fittings for sliding doors

**TopLine XL**

**TopLine L**

**TopLine 25 and 27, TopLine 1**

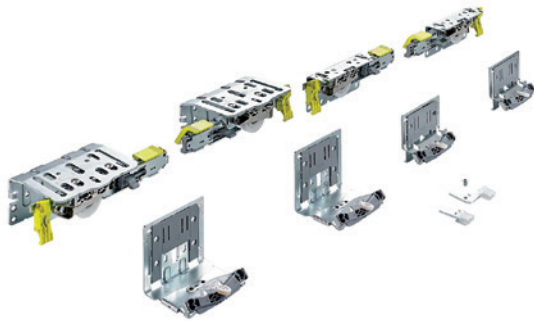
**SysLine S**


description	fittings for sliding doors with top bearing profile for large cabinets with 2 or 3 doors	fittings for sliding doors with top bearing profile for large cabinets with 2 or 3 doors	fittings for sliding doors with top bearing profile for cabinets with 1, 2 or 3 doors	fittings for sliding doors with top bearing profile for cabinets with 1, 2 or 3 doors
number of tracks	2	2	2 (TopLine 27) 1 (TopLine 1)	1 or 2
door movement	horizontal	horizontal	horizontal	horizontal
construction	full overlay	full overlay	inset	inset
door weight	max. 100 kg	max. 50 kg	max. 25 kg (TopLine 27) max. 75 kg (TopLine 1)	max. 16 kg
door width	min. 600 mm, max. 2000 mm	min. 550 mm, max. 1500 mm	from 500 to 1750 mm (TopLine 25 and 27), from 500 to 3000 mm (TopLine 1)	min. 400 mm, max. 1000 mm
door height	3000 mm	2600 mm	up to 2000 mm (TopLine 27) up to 2500 mm (TopLine 1)	1500 mm
door/frame material	wood/wood, aluminium	wood/wood, aluminium	wood	wood, aluminium
bearing profile material	aluminium	aluminium	aluminium	aluminium
Silent System soft closing	compulsory	compulsory, optional	optional (TopLine 27)	integrated
door thickness mm	18–50 mm	10–30 mm	16–19 mm	16–19 mm

## Fittings for full overlay doors with top guide

- fittings for 2-4-door wardrobe
- for door thickness 18-50 mm
- the running components are ready for multiple door thicknesses
- load capacity 60-100 kg
- vertical setting  $\pm 3$  mm, horizontal  $\pm 10$  mm
- the required gap between the top and the ceiling is 105 mm
- min. plinth height is 60 mm
- the offset of the lower edge of the door from the floor is 17 or 33 mm
- the bottom running components are modified so that they are not damaged (bent) even if the door falls on them
- the front edge of the profile can be adapted to the decor of the cabinet by using self-adhesive tape from the SlideLine M system
- recommended door dimensions according to their number on the cabinet

description	dimension (mm)
2 doors	600-2000
3 doors	750-1350
4 doors	650-1000



### Sets for offset of the bottom edge of the door from the floor 17 mm

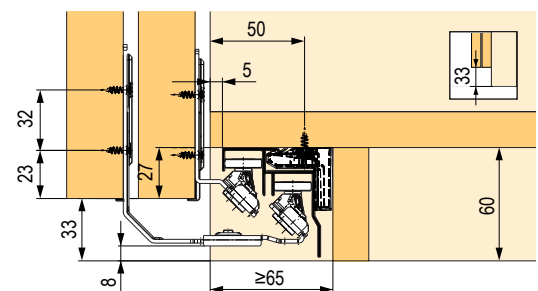
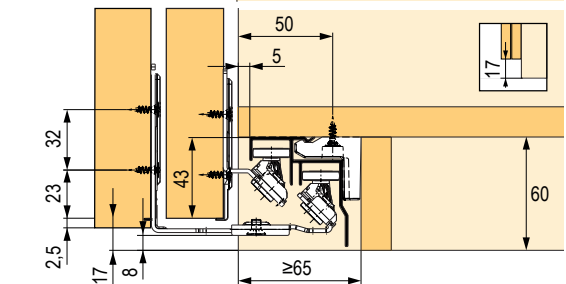
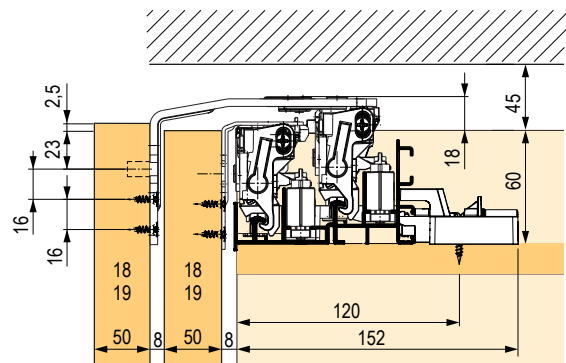
Floor without carpet or with low-pile carpet

door thickness (mm)	max. load capacity (kg)	number of doors		
		2	3	4
18-30	60	<b>398010</b>	<b>398014</b>	<b>398018</b>
30-40	80	<b>519708</b>	<b>519710</b>	<b>519712</b>
40-50	100	<b>398013</b>	<b>398017</b>	<b>x</b>

### Sets for offset of the bottom edge of the door from the floor 33 mm

Floor with high-pile carpet

door thickness (mm)	max. load capacity (kg)	number of doors		
		2	3	4
18-30	60	<b>398021</b>	<b>398025</b>	<b>398029</b>
30-40	80	<b>519709</b>	<b>519711</b>	<b>519713</b>
40-50	100	<b>398024</b>	<b>x</b>	<b>x</b>



- for door thickness 18-50 mm

**Complete sets of soft closer**

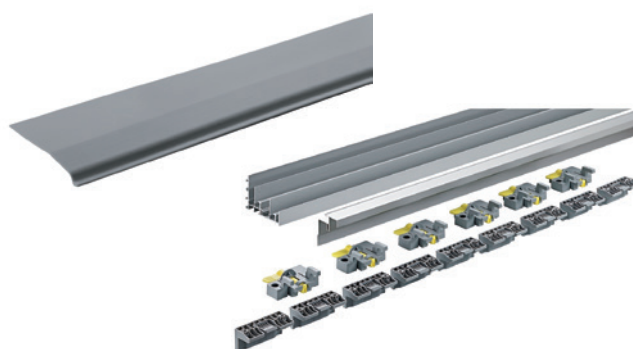
door weight (kg)	colour of the upper guide end caps	number of doors		
		2	3 <sup>1)</sup>	4
15-35	silver	<b>398032</b>	<b>398038</b>	<b>398041</b>
	black	<b>541354</b>	<b>541359</b>	×
30 - 80	silver	<b>398033</b>	<b>398039</b>	<b>398042</b>
	black	<b>541355</b>	<b>541360</b>	×
60 - 100	silver	<b>398034</b>	<b>398040</b>	×
	black	<b>541358</b>	<b>541361</b>	×

<sup>1)</sup> centre doors open to both sides

**Profiles including front panel braces for quick assembly**

description	length (mm)				
	2000	2300	4000	5300	
complete set <sup>1)</sup>	anodised silver	×	<b>398052</b>	<b>398053</b>	<b>457014</b>
	anodised black	×	<b>541352</b>	<b>541353</b>	×
cover profile <sup>2)</sup>	grey (plastic)	<b>398070</b>	×	×	×

<sup>1)</sup> the set includes top and bottom guide for clip-on assembly including clips for their fixing

<sup>2)</sup> for covering the carriages of the front doors, can be trimmed and painted

**Accessories**

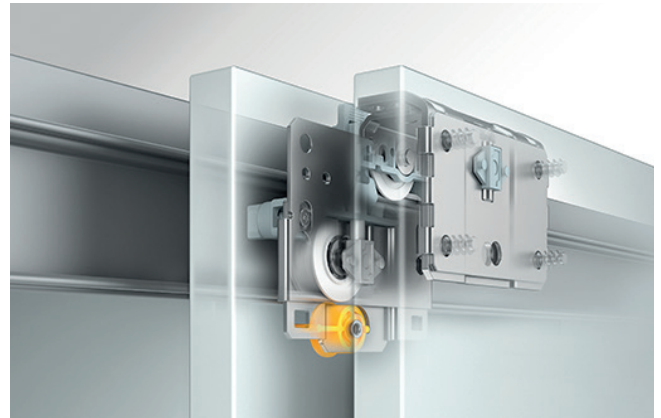
description	code
screw set for fixing profiles, 16-19 mm	<b>299909</b>

**Table of door dimensions (mm) and approximate weight of the door (kg)**

max. width (mm)		600	650	700	750	800	850	900	950	1000	
min. height (mm)		1800	1950	2100	2250	2400	2550	2700	2850	3000	
approximate weight (kg)	LDF	18 mm	13,0	15,2	17,6	20,3	23,0	26,0	29,2	32,5	36,0
		22 mm	16,2	19,0	22,1	25,3	28,8	32,5	36,5	40,6	45,0
		25 mm	18,4	21,5	25,0	28,7	32,6	36,8	41,3	46,0	51,0
		28 mm	19,4	22,8	26,5	30,4	34,6	39,0	43,7	48,7	54,0
		38 mm	24,8	29,2	33,8	38,8	44,2	49,9	55,9	62,3	69,0
	MDF	50 mm	36,7	43,1	50,0	57,4	65,3	73,7	82,6	92,1	102,0
		18 mm	14,0	16,5	19,1	21,9	25,0	28,2	31,6	35,2	39,0
		25 mm	19,4	22,8	26,5	30,4	34,6	39,0	43,7	48,7	54,0
	honey-comb structure	28 mm	21,6	25,4	29,4	33,8	38,4	43,4	48,6	54,2	60,0
		38 mm	13,0	15,2	17,6	20,3	23,0	26,0	29,2	32,5	36,0
50 mm											

## Fittings for full overlay doors with top guide

- fittings for wardrobes with 2 and 3 doors
- for door thickness 10–30 mm
- the running components are ready for multiple door thicknesses
- load capacity 50 kg, maximum door height 2 600 mm
- vertical adjustment ± 2 mm
- the required gap between the top and the ceiling is 40 mm
- min. plinth height is 60 mm
- the offset of the lower edge of the door from the floor is 30 mm
- the bottom running components are modified so that they are not damaged (bent) even if the door falls on them
- the front edge of the profile can be adapted to the decor of the cabinet by using self-adhesive tape from the SlideLine M system
- recommended door dimensions according to their number on the cabinet



## Fittings sets including soft closing and guide profiles

number of doors	use of soft closers	maximum width of the wardrobe without side walls in mm	material thickness in mm			
			18–30		10–16	
			weight of one door in kg		weight of one door in kg	
			up to 20	20–50	up to 20	20–50
two, front door on the left	only when closing	2300	<b>504233</b>	<b>504449</b>	<b>504450</b>	<b>504451</b>
		3000	<b>504452</b>	<b>504453</b>	<b>504454</b>	<b>504455</b>
	when closing and opening	2300	<b>504456</b>	<b>504457</b>	<b>504458</b>	<b>504459</b>
		3000	<b>504460</b>	<b>504461</b>	<b>504462</b>	<b>504463</b>
two, front door on the right	only when closing	2300	<b>504464</b>	<b>504465</b>	<b>504466</b>	<b>504467</b>
		3000	<b>504468</b>	<b>504469</b>	<b>504470</b>	<b>504471</b>
	when closing and opening	2300	<b>504472</b>	<b>504473</b>	<b>504474</b>	<b>504475</b>
		3000	<b>504476</b>	<b>504477</b>	<b>504478</b>	<b>504479</b>
three	only when closing	2300	<b>504480</b>	<b>504481</b>	<b>504482</b>	<b>504483</b>
		4000	<b>504484</b>	<b>504485</b>	<b>504486</b>	<b>504487</b>
	when closing and opening	2300	<b>504488</b>	<b>504489</b>	<b>504490</b>	<b>504491</b>
		4000	<b>504492</b>	<b>504493</b>	<b>504494</b>	<b>504495</b>
	when closing and opening, including anti-collusion	2300	<b>504496</b>	<b>504497</b>	<b>504498</b>	<b>504499</b>
		4000	<b>504500</b>	<b>504235</b>	<b>504501</b>	<b>504502</b>

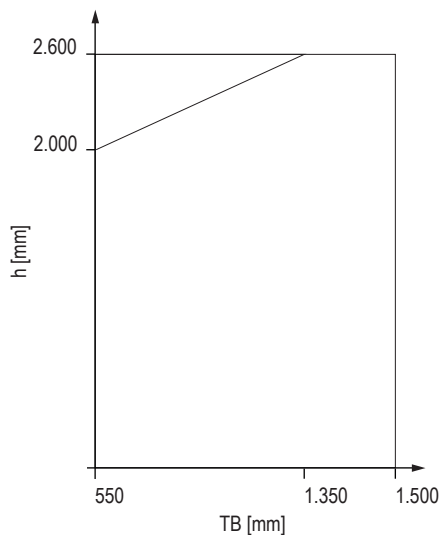
## Cover profile

code	length (mm)
<b>404553</b>	1500

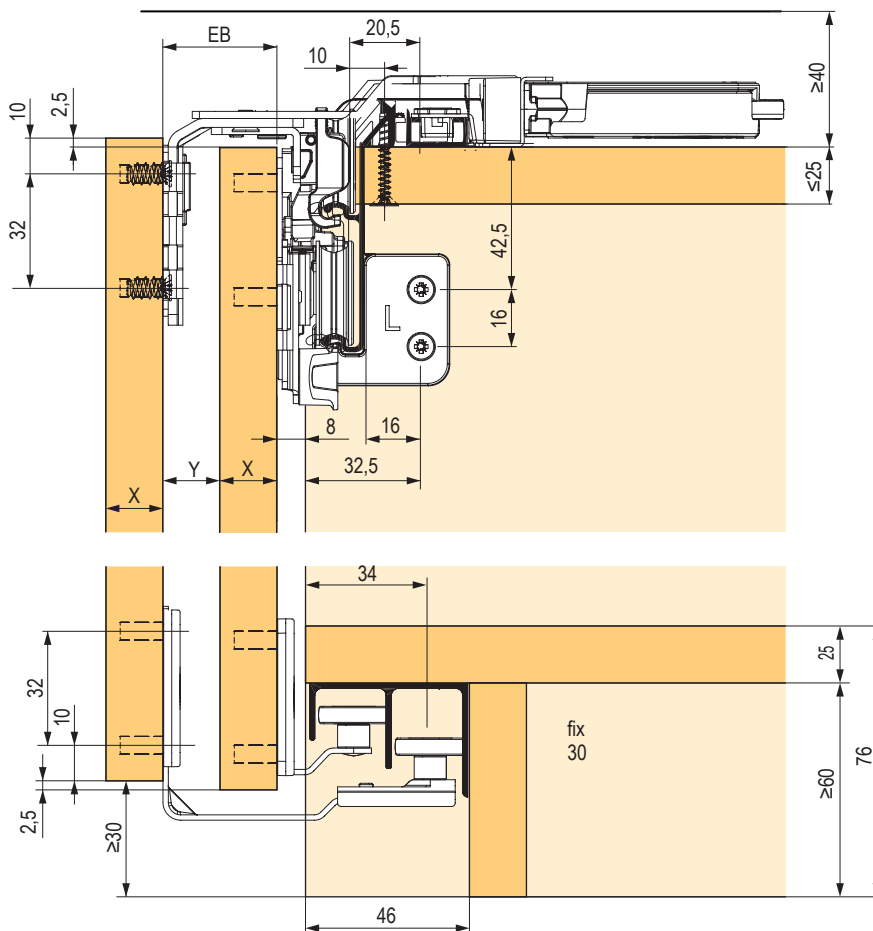
## Set for fixing in thin material

code	description
<b>404554</b>	consists of special bushings and screws



**Maximum height of the door with respect to its width**


EB	X	Y
24	10 / 12	12 / 14
29	16	13
32	20	12
36	25	11
42	30	12
47	35	
52	40	
62	50	



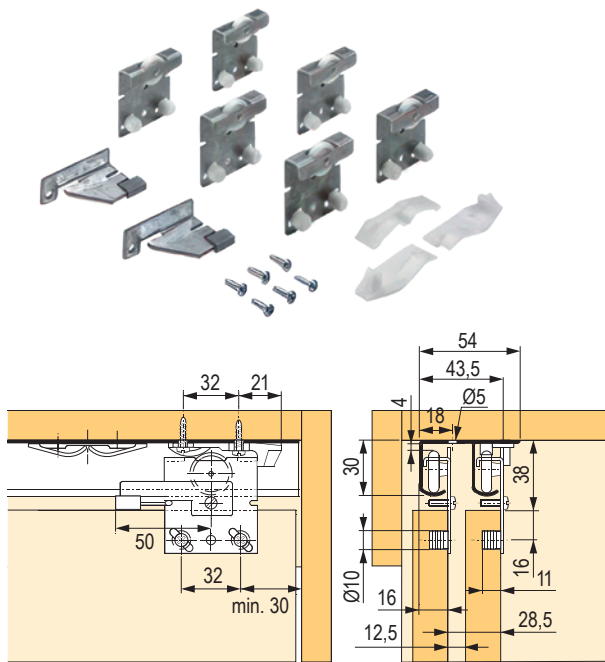
# TopLine 25, 27 and 1

## TopLine 25 and 27

- 1-3-door wardrobe with top guide, inset doors
- height adjustment  $\pm 1.5$  mm
- possibility of soft closing in the direction of closing
- **25 kg load capacity**

### Door specifications:

- width: 500-1750 mm
- height: 2000 mm
- weight: 25
- thickness: 16-19 mm

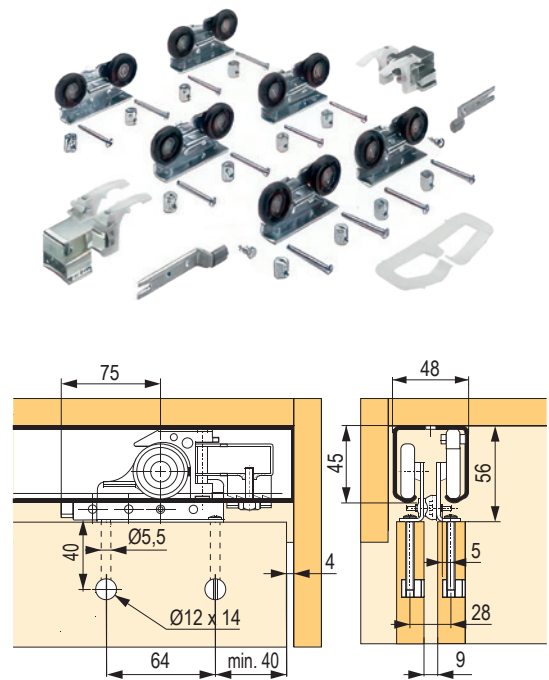


## TopLine 1

- 1-3-door wardrobe with top guide, inset doors
- height adjustment  $\pm 2$  mm, additionally up to + 8 mm
- soft closing not available
- **load capacity 50 or 75 kg**

### Door specifications:

- width: 500-2000 mm
- height: 2500 mm
- weight: 50 or 75 kg
- thickness: 16-19 mm

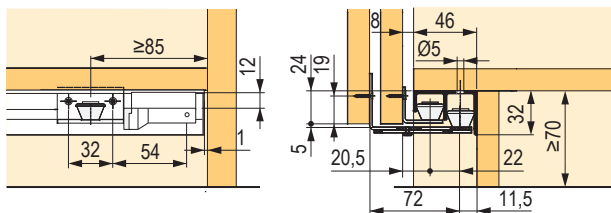


top guide		number of doors			guide profile (mm)				
type	load capacity (kg)	1	2	3	3000	3500 simple	3500 double	6000	
TopLine 25/27	25	<b>107858</b>	<b>107427</b>	<b>107425</b>	x	<b>107855</b>	<b>107002</b>	x	
TopLine 25/27 with soft closing <sup>1)</sup>		x	<b>506990</b>	x					
TopLine 1	50	x	<b>107491</b>	<b>107492</b>	<b>106925</b>	x	x	<b>119079</b>	
TopLine 1 with soft closing		x	<b>506991</b>	x					
TopLine 1	75	x	<b>107844</b>	<b>107845</b>	<b>106925</b>	x	x	<b>119079</b>	
TopLine 1 with soft closing		x	<b>506992</b>	x					
bottom guide									
STB 11		<b>107470</b>	<b>107470</b>	<b>107703</b>	<b>458362</b>	x	x	<b>458018</b>	
STB 12		<b>107471</b>	<b>107471</b>	<b>107704</b>	<b>106958</b>	x	x	<b>119101</b>	
STB 15		<b>107705</b>	<b>107705</b>	<b>107707</b>	<b>106965</b>	x	x	<b>106970</b>	
STB 35		<b>103914</b> - 1x	<b>103914</b> - 2x	<b>103914</b> - 3x	x	<b>106961</b>	white	x	x
STB 35		<b>103914</b> - 1x	<b>103914</b> - 2x	<b>103914</b> - 3x	x	<b>106976</b>	brown	x	x
STB 35		<b>103914</b> - 1x	<b>103914</b> - 2x	<b>103914</b> - 3x	x	<b>106959</b>	pine	x	x

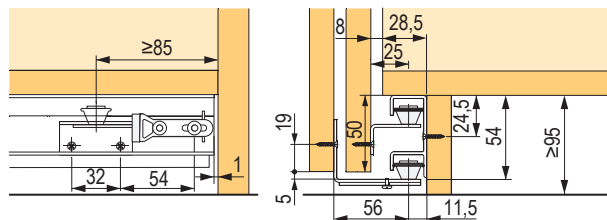
<sup>1)</sup> reduces the load capacity of running components to 20 kg!

# STB bottom guide

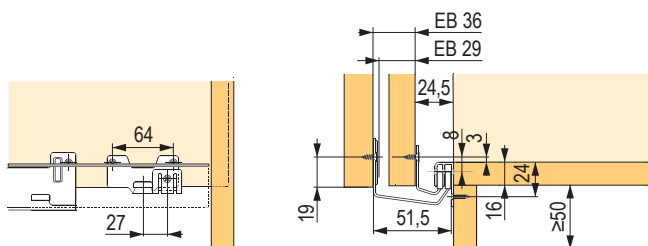
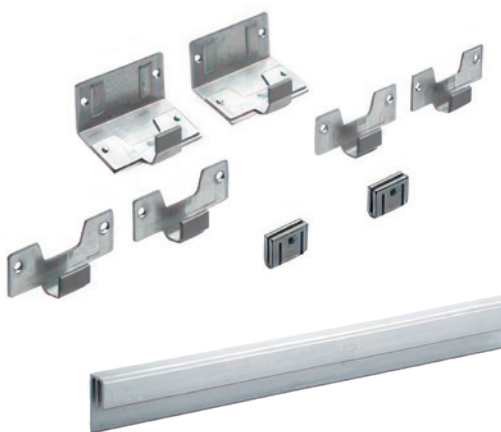
## STB11



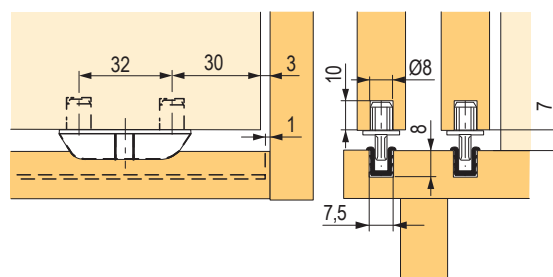
## STB12



## STB15



## STB35

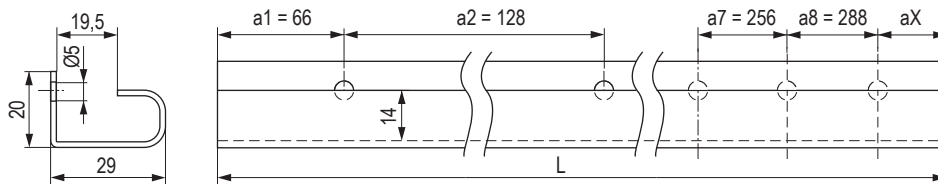
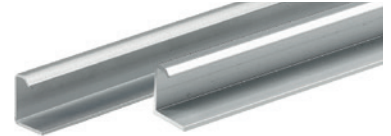


# handle profiles

## Accessories

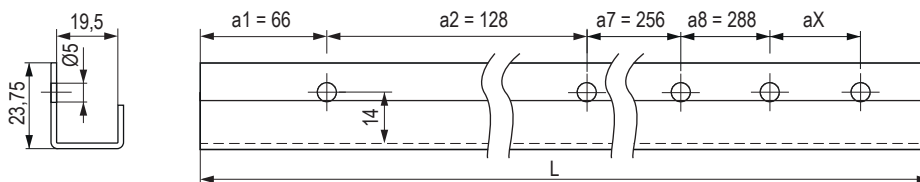
### For door thickness 18–19 mm

code	Hettich code	length (mm)	colour
<b>210128</b>	9136121	2500	aluminium



### U shape, for door thickness 18–19 mm

code	Hettich code	length (mm)	colour
<b>210129</b>	9136122	2500	aluminium



## Sets of running components

code	Hettich code	description
<b>299879</b>	9208511	set of running components with soft closing and opening <sup>1)</sup>
<b>209808</b>	9134311	set of running components with soft closing <sup>2)</sup>
<b>210114</b>	9136103	set of running components without soft closing <sup>3)</sup>

- inset doors with top guide
- fittings for sliding doors with 1 or 2 tracks
- top thickness at least 16 mm
- for wooden doors and doors with aluminium frame
- load capacity up to 15 kg
- door height up to 1 500 mm
- width 400–1000 mm and thickness 16–19 mm
- height adjustment without power tools  $\pm$  1.5 mm
- quick hanging of the door without using power tools
- can be combined with guide glides or guide systems STB 11 or STB 35
- tested in accordance with DIN EN 15706, level 3



<sup>1)</sup> set includes:

- components for wardrobe with 2 doors
- 4 pcs of Silent System top running components
- 4 pcs of activators for Silent system
- 4 pcs of adapters for wooden doors
- 2 pcs of bottom guide components for wooden doors
- 2 pcs of bottom guide components for doors with aluminium frame
- 2 pcs of door backstops / spacers
- min. door width 590 mm



<sup>2)</sup> the set includes:

- components for wardrobe with 2 doors
- 2 pcs of top running components
- 2 pcs of Silent System top running components
- 2 pcs of activators for Silent system
- 2 pcs of backstops
- 4 pcs of adapters for wooden doors
- 2 pcs of bottom guide components for wooden doors
- 2 pcs of bottom guide components for doors with aluminium frame
- 2 pcs of door backstops / spacers
- min. door width 410 mm



<sup>3)</sup> the set includes:

- components for wardrobe with 2 doors
- 4 pcs of top running components
- 4 pcs of backstops
- 4 pcs of adapters for wooden doors
- 2 pcs of bottom guide components for wooden doors
- 2 pcs of bottom guide components for doors with aluminium frame
- 2 pcs of door backstops / spacers
- min. door width 400 mm

## Running profiles

code	Hettich code	description
<b>210115</b>	9136105	top guide profile, double, 2 m <sup>1)</sup>
<b>210476</b>	9145851	top guide profile, simple, 2 m <sup>2)</sup>
<b>210116</b>	9136106	top guide profile, simple, with rotary safety latches, 2 m <sup>3)</sup>



<sup>1)</sup> 210115

- top thickness at least 16 mm
- door thickness max. 19 mm
- aluminium without surface treatment
- the maximum distance of the last hole

from the end of the profile is 50 mm, if the last hole is at a distance larger than 50 mm after cutting the profile, a new hole must be drilled



<sup>2)</sup> 210476

- top thickness at least 16 mm
- aluminium without surface treatment

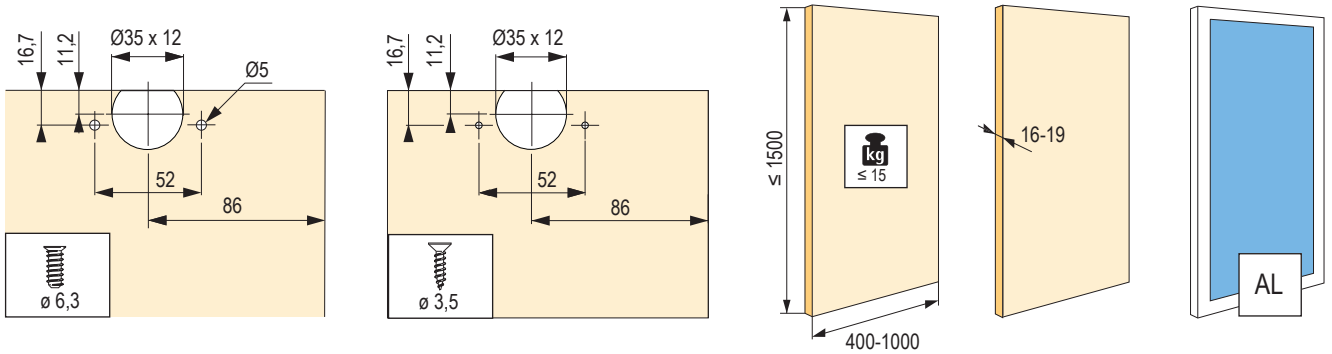


<sup>3)</sup> 210116

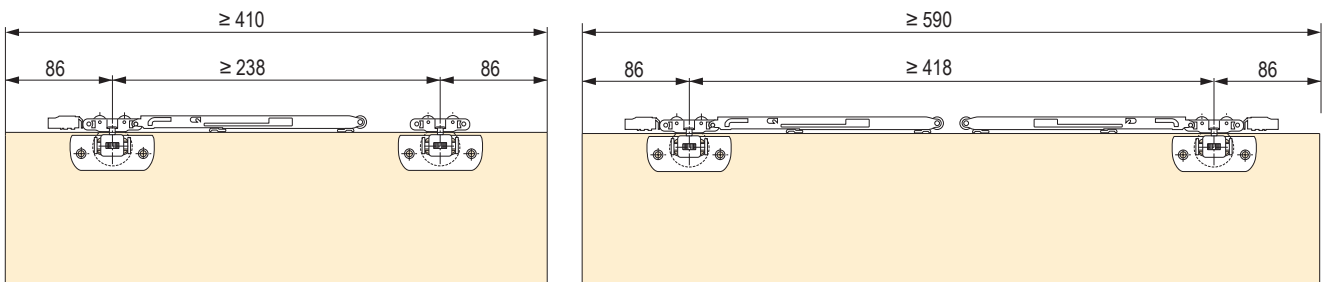
- top thickness at least 19 mm
- cannot be used for MDF and hardwood
- aluminium without surface treatment
- the distance between the last rotary safety

latch and the end of the profile must be at least 40 mm and a maximum of 100 mm, this must be taken into account when cutting

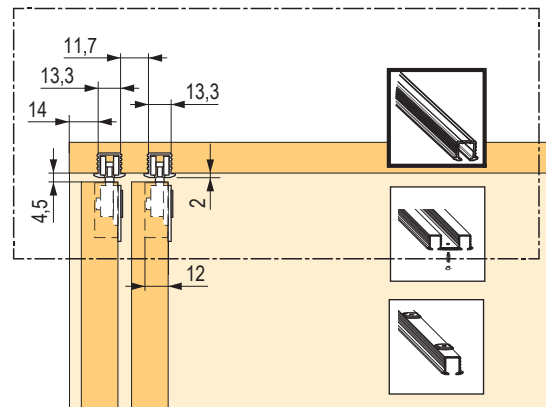
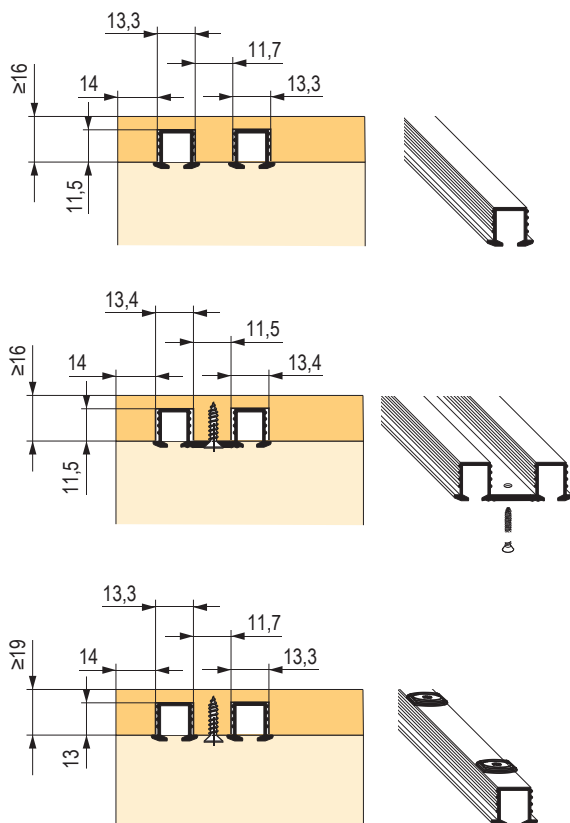
## Drilling of wooden doors



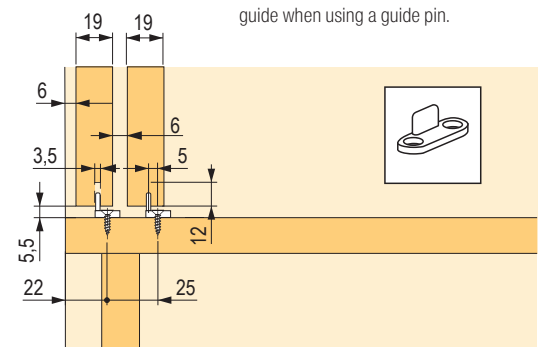
Minimum door width for options with soft closing.



Position of guide profiles for door thickness 19 mm.



Assembly manual of the bottom guide when using a guide pin.



# fittings for sliding doors with bottom guide

**SlideLine M**

**SlideLine 55 and 55 Plus**

**SlideLine 56**

**SlideLine 97**


description	fittings for sliding doors with two bearing profiles	fittings for sliding doors with two bearing profiles	fittings for sliding doors with two bearing profiles	fittings for glass sliding doors with bottom bearing two-track profile
number of tracks	1 and 2	2	2	2
door movement	horizontal	horizontal	horizontal	horizontal
construction	full overlay and inset	inset	inset	inset
door weight	10 and 30 kg	max. 15 kg with plastic profile max. 30 kg with aluminium profile	max. 40 kg	max. 50 kg
door height	300-1800 mm	700-1500 mm	×	×
door/frame material	wood, glass	wood	wood	glass
bearing profile material	aluminium	plastic or aluminium	aluminium	aluminium
Silent System soft closing	integrated	optional for SlideLine 55 Plus	×	×

## Fittings for full overlay and inset doors

- system for guidance of full overlay or inset doors
- possibility of soft closing and opening, including collision soft closing
- height adjustment  $\pm 2$  mm
- use for wooden and glass doors



### Door specifications:

- width (mm), 300–1800
- height (mm), 2000
- weight (kg), 30
- thickness (mm), 16–25

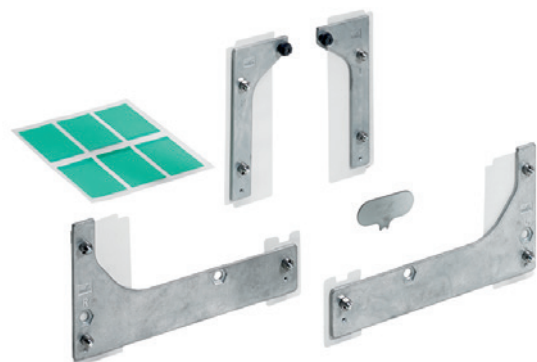
## Sets of running components for 1 door

code	Hettich code	description	minimum door width (mm)	load capacity (kg)
<b>299835</b>	9201921	with soft closing	450	10
<b>235675</b>	9156338			30
<b>235674</b>	9156339	without soft closing	300	

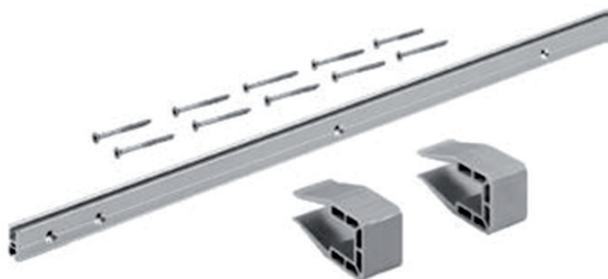


## Adapter sets for glass doors door

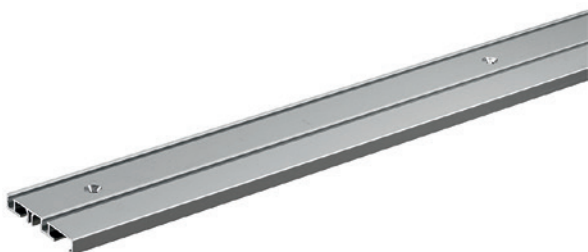
code	Hettich code	description	for the option
<b>299826</b>	9184566	on glass, for gluing	with soft closing



## Running profiles



profile height (mm)	length (mm)	
full overlay	2500	4000
16	x	<b>299837</b>
18	<b>299838</b>	<b>299839</b>
25	<b>299842</b>	<b>299843</b>
inset		
for screwing-on	<b>328948</b>	x



## Cover tape for gluing



code	Hettich code	description
<b>299852</b>	9209277	18/2 500 mm silver
<b>299853</b>	9209278	18/4000 mm silver
<b>299854</b>	9209279	18 / 2 500 mm, black
<b>299855</b>	9209280	18 / 4000 mm, black
<b>299856</b>	9209281	18/2 500 mm white
<b>299857</b>	9209283	18/4000 mm white



# SlideLine 55



- can be used in office or home furniture for small to medium-sized doors
- inset doors
- 2-track, with bottom bearing profile
- for wooden doors

**Door specifications:**

- width: 400-2000 mm
- height max. 1500 mm
- thickness: 16-19 mm
- weight: 15 or 30 kg

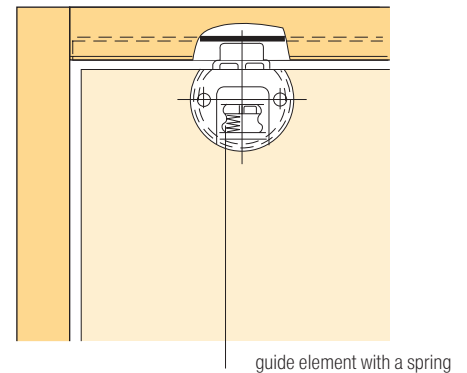
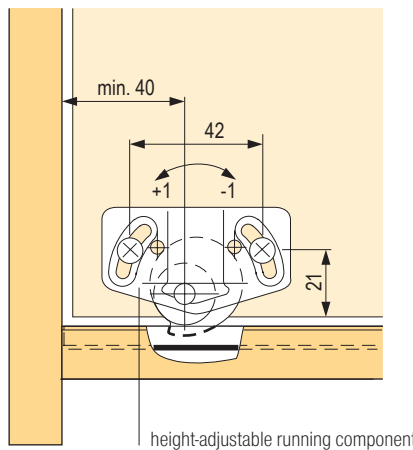
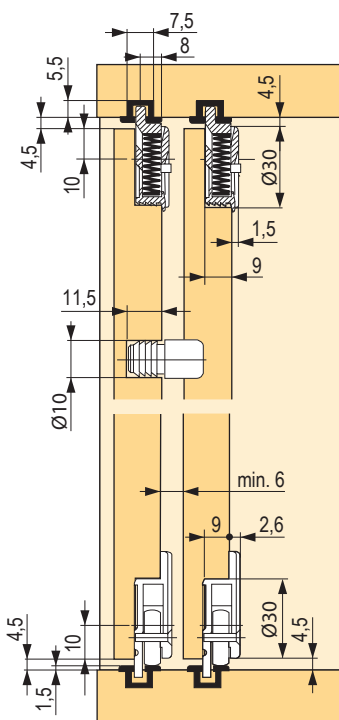
## Screw-on running component

code	Hettich code	description
<b>108209</b>	25122	15 kg
<b>107610</b>	70962	30 kg

- height-adjustable
  - plastic dual axle bearing pulley
  - 2 running components are required for
- 1 door  
• brown plastic



**Assembly manual**



## Guide element with a spring

code	Hettich code	description
<b>108195</b>	25123	brown

- 2 guide elements are required for 1 door
- plastic



## Backstop and spacer for screwing-on

code	Hettich code	description
<b>104418</b>	70963	brown

- max. door weight 30 kg
- 1 backstop/spacer is required for a wardrobe with 2 doors
- galvanised steel



## Running component for a wardrobe with 2 inset doors

code	Hettich code	description
<b>180358</b>	9115217	grey plastic

- 2 guide elements are required for 1 door



## Running component for a wardrobe with 2 inset doors

code	Hettich code	description
<b>180359</b>	9115219	grey plastic

- 2 guide elements are required for 1 door



## Spacer

code	Hettich code	description
<b>180361</b>	9115216	grey plastic

- 1 pc is required for a 2-door wardrobe



## Backstop

code	Hettich code	description
<b>133018</b>	9115218	grey plastic

- 1 pc is required for a 2-door wardrobe



## Activator of soft closing unit

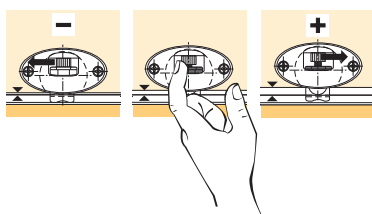
code	Hettich code	description
<b>208939</b>	9118477	grey plastic



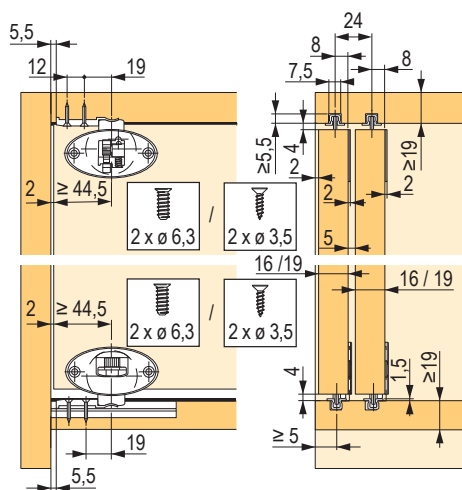
## SILENT SYSTEM soft closing for inset doors

code	Hettich code	description
<b>202680</b>	9119584	left
<b>202681</b>	9119585	right

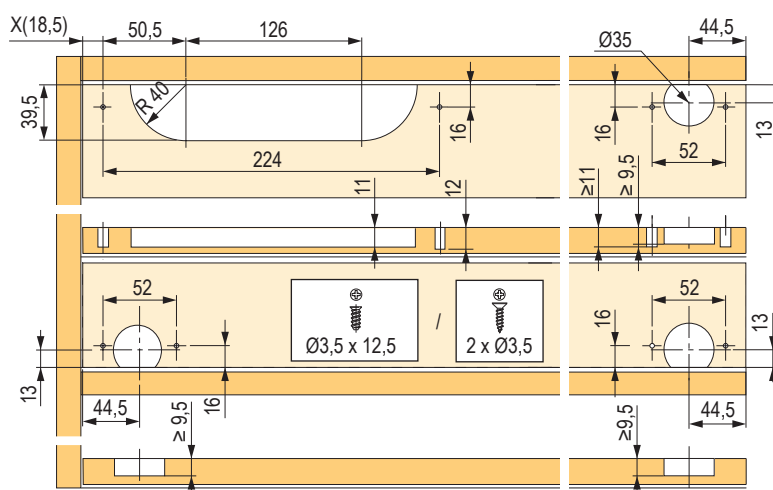
adjustment and assembly



dimensional diagram for inset doors



drilling for 2 doors with soft closing



# guide profiles SlideLine 55, 55 plus and 56



## Top and bottom profile

code	Hettich code	colour
<b>103791</b>	1079090	silver anodised
<b>107608</b>	70961	dark brown

- max. door weight 30 kg
- length 4000 mm
- aluminium



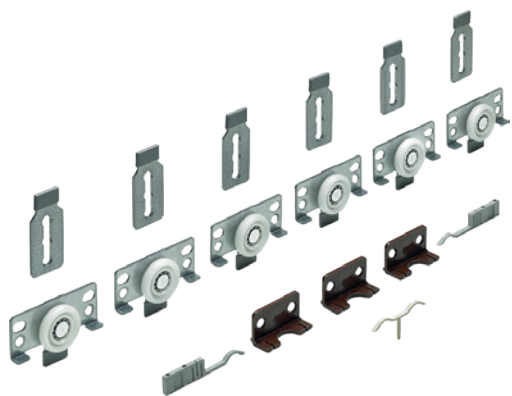
## Top and bottom profile SlideLine 55

code	Hettich code	colour
<b>106951</b>	25120	white
<b>106935</b>	25121	brown
<b>106950</b>	25660	beige
<b>106946</b>	61546	grey
<b>106952</b>	66900	black

- max. door weight 15 kg
- length 4000 mm
- plastic



## Fitting sets



code	Hettich code		description
<b>104094</b>	45234		2 sliding doors / 1 set <sup>1)</sup>
<b>107615</b>	45235		3 sliding doors / 1 set <sup>2)</sup>

<sup>1)</sup> the set includes: 4 running components, 4 guide elements, 2 backstops, 2 spacers

<sup>2)</sup> the set includes: 6 running components, 6 guide components, 2 backstops, 3 spacers, 1 central stop for front doors

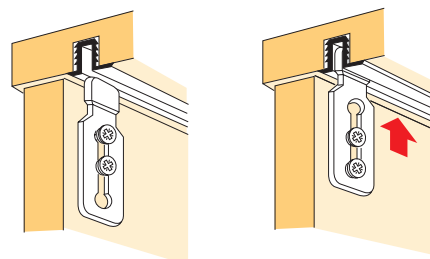
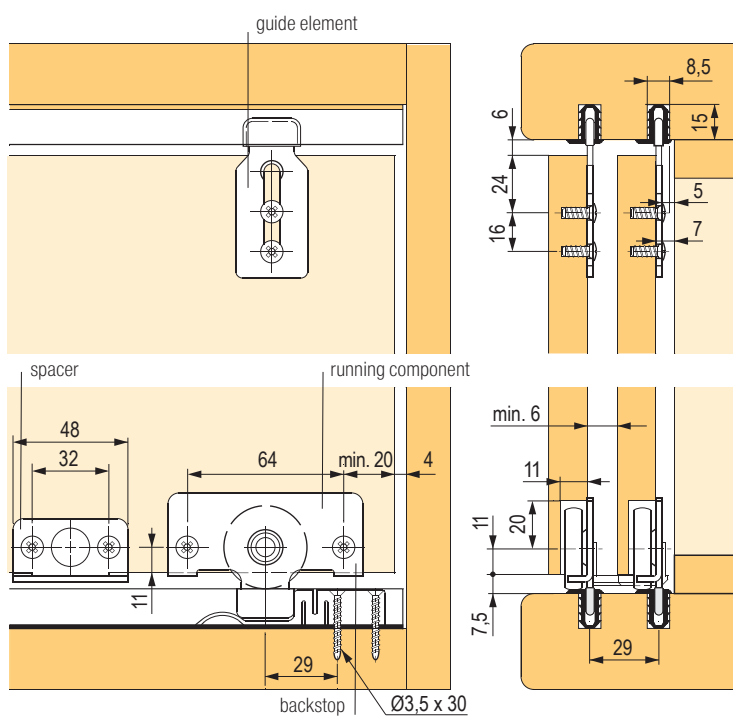
## Top and bottom profile



code	Hettich code	colour
<b>104429</b>	71110	silver anodised
<b>107614</b>	71109	dark anodised

- length 3 000 mm
- aluminium

## Assembly manual



### Assembly manual

Mount the guide elements loosely at first.  
Mount the door and slide the guide elements  
up into the profile. Tighten the screws.

# SlideLine 97

## For sliding glass doors

- system for guiding inset glass doors
- soft closing not available
- door weight 25 or 50 kg
- running components with ball bearing ensure a very easy operation

### Door specifications:

- width (mm), 250–2500
- height (mm), 2800
- weight (kg), 25 or 50
- thickness (mm), 5, 6 and 8
- when using glass with a thickness of 8 mm, no gasket is required

## Accessories

code	Hettich code	description
1 108212	76472	running component, load capacity 12.5 kg
2 104252	76475	backstop and safety latch against unhinging
3 105109	76480	end piece
4 104562	76481	end piece with a handle <sup>1)</sup>
5 107013	76482	end piece, lock striker plate <sup>1)</sup>
6 104564	76483	lock without an insert <sup>1)</sup>
108176	9078862	cylinder insert – 18001
108175	9078861	cylinder insert – 18001–18050
108174	9078860	cylinder insert – 18001–18020

<sup>1)</sup> Can be used left or right



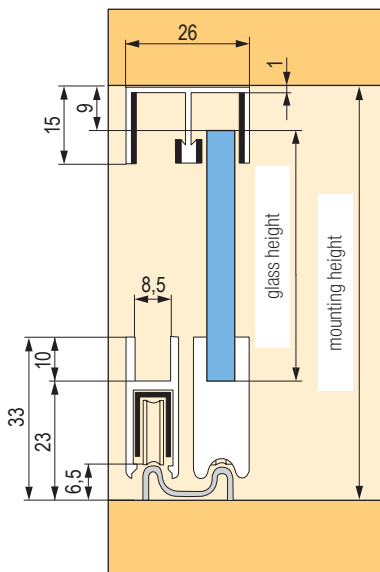
option  
• with end piece 76480



option:  
• 76481 with handle  
• and end piece 76480

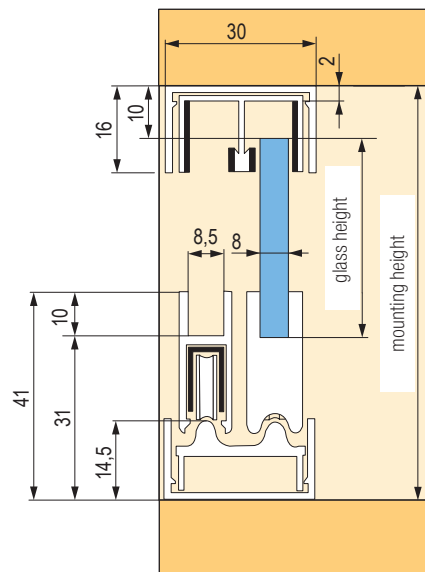


option:  
• with adapter 76482  
• and a push lock 76483



- glass height
- without bearing profile: internal height – 32 mm

- max. load capacity:
- with 2 running components: ca. 25 kg
  - with 4 running components: ca. 50 kg

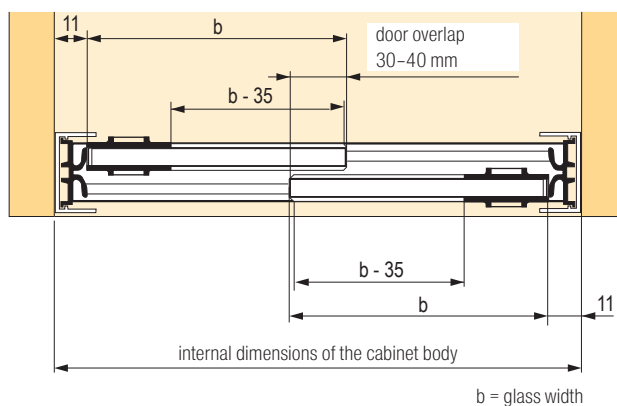
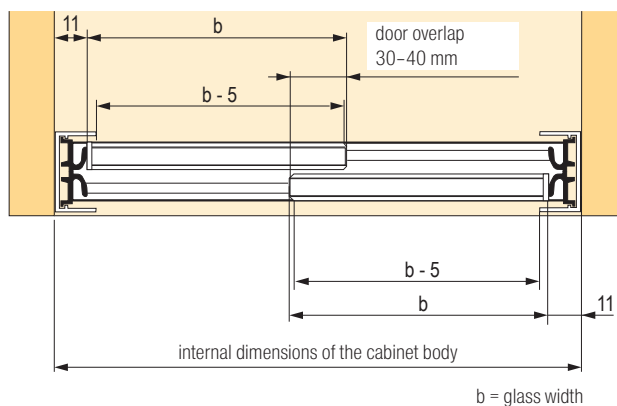


- glass height
- without bearing profile: internal height – 41 mm

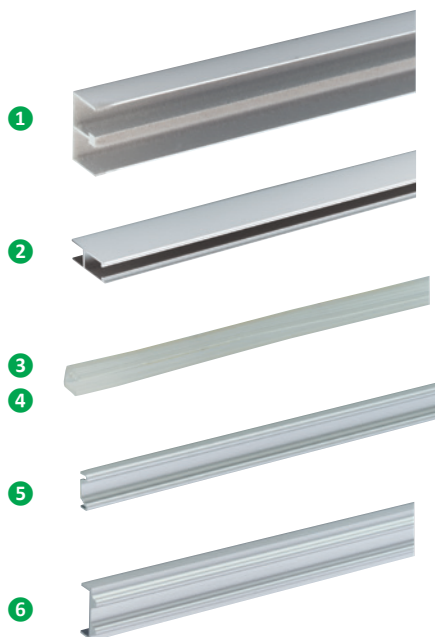
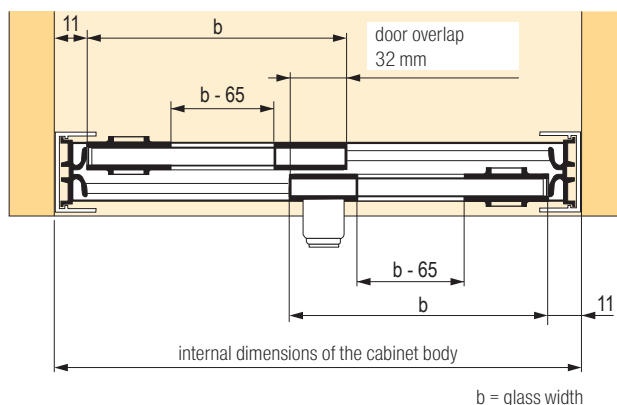
- max. load capacity:
- with 2 running components: ca. 25 kg
  - with 4 running components: ca. 50 kg

**Guide and frame profiles**

	code	Hettich code	description	length (mm)
1	107600	76470	top	5000
	167491	×		3000
	167489	×		2000
2	107596	76471	bearing for fitting the glass and running components	5000
	167493	×		3000
	167492	×		2000
3	106985	76473	sealing for glass thickness of 5 mm	5000
	167481	×		3000
	167480	×		2000
4	106986	76474	sealing for glass thickness of 6 mm	5000
	167534	×		3000
	167533	×		2000
5	104248	76478	bottom for individual use	5000
	167537	×		3000
	167536	×		2000
6	107607	76479	bottom for fitting in a frame	5000
	167488	×		3000
	167487	×		2000
7	107284	76476	frame	5000
	167483	×		3000
	167482	×		2000
8	107785	76477	sealing profile into a frame (mounted)	5000
	167485	×		3000
	167484	×		2000



If the internal width of the cabinet is an odd number, round it up to the nearest even number.



# fittings for folding doors

WingLine L



WingLine S



WingLine 230



Wing 77



description	fittings for automatic doors opening by pushing (push) or lightly pulling the handle (pull)	fittings for automatic doors opening by pushing (push) or lightly pulling the handle (pull)	connected to the side fittings for folding doors, with top bearing profile for excessively wide and tall doors	free movement in front of the body fittings for sliding and folding doors, without connection to the side, with top bearing and bottom guide profile
number of doors	2 or 4	2 or 4	2 or 4	2 or 4
door weight	5–25 kg	2–5 kg	20–25 kg	max. 20 (25) kg 4 (2) doors
fixing on body side	yes	yes	yes	no
door/frame material	wood	wood	wood	wood
door height	max. 2600 mm	max. 1000 mm	max. 3000 mm	max. 2400 mm
door width	max. 600 mm	max. 450 mm	max. 600 mm	max. 400 (500) mm
bottom guide	optional	no	no	yes
profile material	aluminium	aluminium	aluminium	steel/aluminium

## For folded doors

### Specification:

- full overlay folding doors
- unique opening system for both small and large cabinets:
- Push to move – by pushing on the door
- Pull to move Silent – by pulling the handle
- with the Push/Pull to move system, the doors must be pushed fully closed when closing
- with Pull to move Silent the door closes silently by itself
- opening and closing is always with soft closing
- use for solid wood doors
- installation without tools
- minimum overlap of the open door into the clear width
- use: bedroom, kitchen and office

### Door specifications:

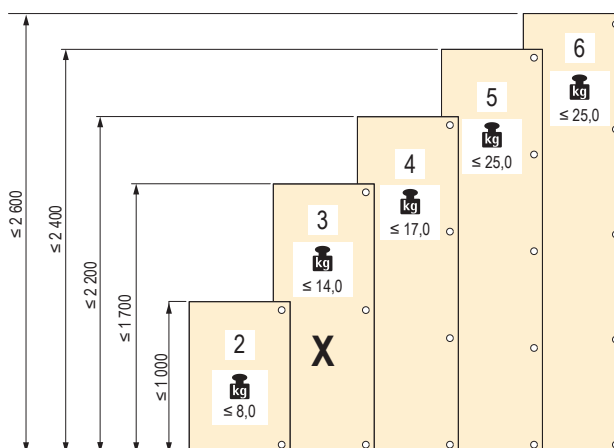
- width 250–600 mm
- height 1 000–2 600 mm
- maximum weight 25 kg
- material thickness 16–25 mm
- required clearance between top and ceiling 0 mm
- minimum distance from the door to the ceiling 2 mm
- required plinth height 70 mm

### Pull to move Silent and Push/Pull to move are two new and unique opening mechanisms for folding doors

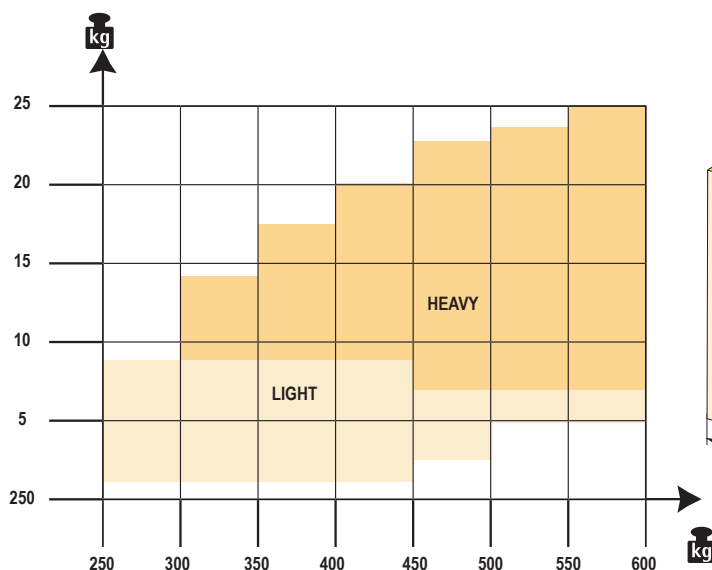
- the set automatically opens by pulling lightly on the handle or gentle pushing the door (without handles) and moves into the open position with soft closing
- fascinating opening effect on a purely mechanical basis
- does not require cables or power supply



### Recommended number of cabinet and folding hinges



X = min. 280 mm



### The decisive factors for the required number of hinges on doors are:

- the width, height, weight of the doors, and the properties of the door material,
- in practice, the factors vary considerably from case to case,
- the quantities shown in the diagram are indicative values only. In case of doubt, we recommend carrying out a trial assembly and adjusting the number of hinges accordingly,
- for stability reasons, the spacing X between hinges should always be as large as possible.
- Dimension X must be a minimum of 280 mm.



## Push/Pull to move for light doors without bottom guide track

- **Version:** Complete WingLine L Push/Pull to move fitting set for light doors up to 9 kg, including opening mechanism, upper guide track, and folding inter-door hinges. Without the bottom guide. The doors open either by a light push or a light pull on the handle; when closing, they must be pushed fully closed.

opening side	maximum door height	1000 mm						1700 mm		
	maximum weight / one door width	up to 5 kg/250–300 mm			up to 7.5 kg/300–600 mm			up to 9 kg/300–450 mm		
	type of design of folding hinge	for screw fixing	knock-in	adjustable	for screw fixing	knock-in	adjustable	for screw fixing	knock-in	adjustable
	colour of mechanism									
to the right	grey	<b>534428</b>	<b>534429</b>	<b>534430</b>	<b>534428</b>	<b>534429</b>	<b>534430</b>	<b>534432</b>	<b>534433</b>	<b>534435</b>
	white	<b>534762</b>	<b>534763</b>	<b>534764</b>	<b>534762</b>	<b>534763</b>	<b>534764</b>	<b>534765</b>	<b>534766</b>	<b>534767</b>
	anthracite	<b>534680</b>	<b>534681</b>	<b>534682</b>	<b>534680</b>	<b>534681</b>	<b>534682</b>	<b>534683</b>	<b>534684</b>	<b>534685</b>
to the left	grey	<b>534437</b>	<b>534439</b>	<b>534441</b>	<b>534437</b>	<b>534439</b>	<b>534441</b>	<b>534443</b>	<b>534445</b>	<b>534447</b>
	white	<b>534768</b>	<b>534769</b>	<b>534770</b>	<b>534768</b>	<b>534769</b>	<b>534770</b>	<b>534771</b>	<b>534772</b>	<b>534773</b>
	anthracite	<b>534686</b>	<b>534687</b>	<b>534688</b>	<b>534686</b>	<b>534687</b>	<b>534688</b>	<b>534689</b>	<b>534690</b>	<b>534691</b>
right + left	grey	<b>534453</b>	<b>534455</b>	<b>534456</b>	<b>534457</b>	<b>534458</b>	<b>534459</b>	<b>534460</b>	<b>534461</b>	<b>534462</b>
	white	<b>534774</b>	<b>534775</b>	<b>534776</b>	<b>534777</b>	<b>534778</b>	<b>534779</b>	<b>534780</b>	<b>534781</b>	<b>534782</b>
	anthracite	<b>534692</b>	<b>534693</b>	<b>534694</b>	<b>534695</b>	<b>534696</b>	<b>534697</b>	<b>534698</b>	<b>534699</b>	<b>534700</b>

## Push/Pull to move for light doors with bottom guide track

- **Version:** Complete WingLine L Push/Pull to move fitting set for light doors up to 9 kg, including opening mechanism, upper and lower guide track, and folding inter-door hinges. The doors open either by a light push or a light pull on the handle; when closing, they must be pushed fully closed.

opening side	maximum door height	1000 mm						1700 mm			2200 mm		
	maximum weight / one door width	up to 5 kg/250–300 mm			up to 7.5 kg/300–600 mm			up to 9 kg/300–450 mm			up to 9 kg/300–350 mm		
	type of design of folding hinge	for screw fixing	knock-in	adjustable	for screw fixing	knock-in	adjustable	for screw fixing	knock-in	adjustable	for screw fixing	knock-in	adjustable
	colour of mechanism												
to the right	grey	<b>534465</b>	<b>534466</b>	<b>534467</b>	<b>534465</b>	<b>534466</b>	<b>534467</b>	<b>534468</b>	<b>534469</b>	<b>534470</b>	<b>534472</b>	<b>534474</b>	<b>534475</b>
	white	<b>534783</b>	<b>534784</b>	<b>534785</b>	<b>534783</b>	<b>534784</b>	<b>534785</b>	<b>534786</b>	<b>534787</b>	<b>534788</b>	<b>534789</b>	<b>534790</b>	<b>534791</b>
	anthracite	<b>534701</b>	<b>534702</b>	<b>534703</b>	<b>534701</b>	<b>534702</b>	<b>534703</b>	<b>534704</b>	<b>534705</b>	<b>534706</b>	<b>534707</b>	<b>534708</b>	<b>534709</b>
to the left	grey	<b>534480</b>	<b>534481</b>	<b>534482</b>	<b>534480</b>	<b>534481</b>	<b>534482</b>	<b>534486</b>	<b>534487</b>	<b>534488</b>	<b>534489</b>	<b>534490</b>	<b>534491</b>
	white	<b>534792</b>	<b>534793</b>	<b>534794</b>	<b>534792</b>	<b>534793</b>	<b>534794</b>	<b>534795</b>	<b>534796</b>	<b>534797</b>	<b>534798</b>	<b>534799</b>	<b>534800</b>
	anthracite	<b>534710</b>	<b>534711</b>	<b>534712</b>	<b>534710</b>	<b>534711</b>	<b>534712</b>	<b>534713</b>	<b>534714</b>	<b>534715</b>	<b>534716</b>	<b>534717</b>	<b>534718</b>
right + left	grey	<b>534495</b>	<b>534497</b>	<b>534498</b>	<b>534500</b>	<b>534509</b>	<b>534511</b>	<b>534512</b>	<b>534515</b>	<b>534517</b>	<b>534518</b>	<b>534519</b>	<b>534520</b>
	white	<b>534801</b>	<b>534802</b>	<b>534803</b>	<b>534804</b>	<b>534805</b>	<b>534806</b>	<b>534807</b>	<b>534808</b>	<b>534809</b>	<b>534810</b>	<b>534811</b>	<b>534812</b>
	anthracite	<b>534719</b>	<b>534720</b>	<b>534721</b>	<b>534722</b>	<b>534723</b>	<b>534724</b>	<b>534725</b>	<b>534726</b>	<b>534727</b>	<b>534728</b>	<b>534729</b>	<b>534730</b>

## Push/Pull to move for heavy doors with bottom guide track

- **Version:** Complete WingLine L Push/Pull to move fitting set for heavy doors up to 25 kg, including opening mechanism, upper and lower guide track, and folding inter-door hinges. The doors open either by a light push or a light pull on the handle; when closing, they must be pushed fully closed.

opening side	door height	1400 - 1700 mm			1700 - 2200 mm			2200 - 2400 mm			2400 - 2600 mm		
	one door width	450 - 600 mm			400 - 600 mm			350 - 600 mm			330 - 600 mm		
	type of design of folding hinge	for screw fixing	knock-in	adjustable	for screw fixing	knock-in	adjustable	for screw fixing	knock-in	adjustable	for screw fixing	knock-in	adjustable
	colour of mechanism												
to the right	grey	<b>534585</b>	<b>534586</b>	<b>534587</b>	<b>534588</b>	<b>534589</b>	<b>534590</b>	<b>534591</b>	<b>534592</b>	<b>534595</b>	<b>534596</b>	<b>534597</b>	<b>534598</b>
	white	<b>534813</b>	<b>534814</b>	<b>534815</b>	<b>534816</b>	<b>534817</b>	<b>534818</b>	<b>534819</b>	<b>534820</b>	<b>534821</b>	<b>534822</b>	<b>534823</b>	<b>534824</b>
	anthracite	<b>534731</b>	<b>534732</b>	<b>534733</b>	<b>534734</b>	<b>534735</b>	<b>534736</b>	<b>534737</b>	<b>534738</b>	<b>534739</b>	<b>534740</b>	<b>534741</b>	<b>534742</b>
to the left	grey	<b>534601</b>	<b>534602</b>	<b>534603</b>	<b>534604</b>	<b>534608</b>	<b>534635</b>	<b>534636</b>	<b>534638</b>	<b>534639</b>	<b>534640</b>	<b>534641</b>	<b>534642</b>
	white	<b>534825</b>	<b>534826</b>	<b>534827</b>	<b>534828</b>	<b>534829</b>	<b>534830</b>	<b>534831</b>	<b>534832</b>	<b>534833</b>	<b>534834</b>	<b>534835</b>	<b>534836</b>
	anthracite	<b>534743</b>	<b>534744</b>	<b>534745</b>	<b>534746</b>	<b>534747</b>	<b>534748</b>	<b>534749</b>	<b>534750</b>	<b>534751</b>	<b>534752</b>	<b>534753</b>	<b>534754</b>
right + left	grey	<b>534643</b>	<b>534644</b>	<b>534645</b>	<b>534646</b>	<b>534647</b>	<b>534648</b>	<b>534649</b>	<b>534650</b>	<b>534651</b>	<b>534652</b>	<b>534653</b>	<b>534654</b>
	white	<b>534837</b>	<b>534838</b>	<b>534839</b>	<b>534840</b>	<b>534841</b>	<b>534842</b>	<b>534843</b>	<b>534844</b>	<b>534845</b>	<b>534846</b>	<b>534847</b>	<b>534848</b>
	anthracite	<b>534755</b>	<b>534756</b>	<b>534757</b>	<b>534758</b>	<b>534759</b>	<b>534760</b>	<b>534849</b>	<b>534850</b>	<b>534851</b>	<b>534852</b>	<b>534853</b>	<b>534854</b>



## Locking device for basic Push/Pull to move sets – mandatory accessory

design	description	for the version	colour	code
mechanical stay closed function	for screwing under the partition wall, partition wall offset 3 mm	without handle (Push)	grey	<b>386105</b>
			white	<b>518637</b>
			black	<b>518638</b>
Design magnetic stay closed function	for pressing into the partition wall, intermediate wall offset 8 mm	without handle (Push)	white	<b>518635</b>
			anthracite	<b>486136</b>
		with handle (Pull)	white	<b>518632</b>
			anthracite	<b>518633</b>
magnetic locking device Standard	for screwing in front of the partition, partition offset 13 mm	without handle (Push)	grey	<b>416240</b>
		with handle (Pull)	grey	<b>518634</b>

# WingLine L

## Folding hinges (included in complete sets)



code	description
<b>409245</b>	HETTICH 9278694 WingLine L folding hinges 2 pcs, screw-on
<b>409247</b>	HETTICH 9278742 WingLine L folding hinges 3 pcs, screw-on

## Folding hinges (included in complete sets)



code	description
<b>409246</b>	HETTICH 9278788 WingLine L folding hinges 2 pcs, knock-in
<b>409248</b>	HETTICH 9278787 WingLine L folding hinges 3 pcs, knock-in

## Folding hinges (included in complete sets)



code	description
<b>534049</b>	HETTICH 9339492 WingLine L new centre hinges adjustable 2 pcs, grey

## Folding hinges (included in complete sets)



code	description
<b>534052</b>	HETTICH 9339496 WingLine L new centre hinges adjustable 3 pcs, grey

**Folding hinges (included in complete sets)**


code	description
<b>534323</b>	HETTICH 9339493 WingLine L new centre hinges adjustable 2 pcs, white

**Folding hinges (included in complete sets)**


code	description
<b>534337</b>	HETTICH 9339498 WingLine L new centre hinges adjustable 3 pcs, white

**Folding hinges (included in complete sets)**


code	description
<b>534332</b>	HETTICH 9339494 WingLine L new centre hinges adjustable 2 pcs, anthracite

**Folding hinges (included in complete sets)**


code	description
<b>534342</b>	HETTICH 9339498 WingLine L new centre hinges adjustable 3 pcs, white

**Related product range – side hinges**

code	description
<b>245723</b>	HETTICH 9071313 Sensys 8675 110° TH52, full overlay, P20
<b>344694</b>	HETTICH 9091741 Sensys 8675 B12.5 TH52, full overlay, obsidian, P20
<b>245726</b>	HETTICH 9073665/9071316 Sensys 8675 full overlay 110° PTO TH knock-in
<b>417105</b>	HETTICH 9073662 Sensys 8675 110° TH52 full overlay screw-on
<b>245724</b>	HETTICH 9071314 Sensys 8675 110° TH52 P20
<b>500475</b>	HETTICH 9073666 Sensys 8675 half overlay 110° PTO, TH52×5.5 mm, knock-in
<b>421301</b>	HETTICH 9073671 Sensys 8675 full overlay 110° P20, 45×9.5, screw-on
<b>416652</b>	HETTICH 9073677 Sensys 8675 full overlay 110° P20, 45×9.5, quick-mount Fix
<b>421304</b>	HETTICH 9073672 Sensys 8675 half overlay 110° P20, 45×9.5, screw-on
<b>367204</b>	HETTICH 9073678 Sensys 8675 half overlay 110° P20, 45×9.5, quick-mount Fix

## Pull to move Silent for light doors without bottom guide track

- **Version:** Complete WingLine L Pull to move Silent fitting set for light doors up to 9 kg, including opening mechanism, upper guide track, and folding inter-door hinges. Without the bottom guide. The doors open with a short pull on the handle and return to the closed position with soft closing.

opening side	maximum door height	1000 mm						1700 mm		
	maximum weight / one door width	up to 5 kg/250-300 mm			up to 7.5 kg/300-600 mm			up to 9 kg/300-450 mm		
	type of design of folding hinge	for screw fixing	knock-in	adjustable	for screw fixing	knock-in	adjustable	for screw fixing	knock-in	adjustable
	colour of mechanism									
to the right	grey	<b>535099</b>	<b>535100</b>	<b>535101</b>	<b>535099</b>	<b>535100</b>	<b>535101</b>	<b>535102</b>	<b>535103</b>	<b>535104</b>
	white	<b>535190</b>	<b>535191</b>	<b>535192</b>	<b>535190</b>	<b>535191</b>	<b>535192</b>	<b>535193</b>	<b>535194</b>	<b>535195</b>
	anthracite	<b>535277</b>	<b>535278</b>	<b>535279</b>	<b>535277</b>	<b>535278</b>	<b>535279</b>	<b>535280</b>	<b>535281</b>	<b>535282</b>
to the left	grey	<b>535105</b>	<b>535106</b>	<b>535107</b>	<b>535105</b>	<b>535106</b>	<b>535107</b>	<b>535108</b>	<b>535109</b>	<b>535110</b>
	white	<b>535196</b>	<b>535197</b>	<b>535198</b>	<b>535196</b>	<b>535197</b>	<b>535198</b>	<b>535199</b>	<b>535200</b>	<b>535201</b>
	anthracite	<b>535283</b>	<b>535284</b>	<b>535285</b>	<b>535283</b>	<b>535284</b>	<b>535285</b>	<b>535286</b>	<b>535287</b>	<b>535288</b>
right + left	grey	<b>535111</b>	<b>535112</b>	<b>535113</b>	<b>535114</b>	<b>535115</b>	<b>535116</b>	<b>535117</b>	<b>535118</b>	<b>535119</b>
	white	<b>535202</b>	<b>535203</b>	<b>535204</b>	<b>535205</b>	<b>535206</b>	<b>535207</b>	<b>535208</b>	<b>535209</b>	<b>535210</b>
	anthracite	<b>535289</b>	<b>535290</b>	<b>535291</b>	<b>535292</b>	<b>535293</b>	<b>535294</b>	<b>535295</b>	<b>535296</b>	<b>535297</b>

## Pull to move Silent for light doors with bottom guide track

- **Version:** Complete WingLine L Pull to move Silent fitting set for light doors up to 9 kg, including opening mechanism, upper and lower guide track, and folding inter-door hinges. The doors open with a short pull on the handle and return to the closed position with soft closing.

opening side	maximum door height	1000 mm						1700 mm			2200 mm		
	maximum weight / one door width	Up to 5 kg/250-300 mm			Up to 7.5 kg/300-600 mm			Up to 9 kg/300-450 mm			Up to 9 kg/300-350 mm		
	type of design of folding hinge	for screw fixing	knock-in	adjustable	for screw fixing	knock-in	adjustable	for screw fixing	knock-in	adjustable	for screw fixing	knock-in	adjustable
	colour of mechanism												
to the right	grey	<b>535120</b>	<b>535121</b>	<b>535122</b>	<b>535120</b>	<b>535121</b>	<b>535122</b>	<b>535123</b>	<b>535124</b>	<b>535125</b>	<b>535126</b>	<b>535127</b>	<b>535128</b>
	white	<b>535211</b>	<b>535212</b>	<b>535213</b>	<b>535211</b>	<b>535212</b>	<b>535213</b>	<b>535214</b>	<b>535215</b>	<b>535216</b>	<b>535217</b>	<b>535218</b>	<b>535219</b>
	anthracite	<b>535298</b>	<b>535299</b>	<b>535300</b>	<b>535298</b>	<b>535299</b>	<b>535300</b>	<b>535301</b>	<b>535302</b>	<b>535303</b>	<b>535304</b>	<b>535305</b>	<b>535306</b>
to the left	grey	<b>535129</b>	<b>535130</b>	<b>535131</b>	<b>535129</b>	<b>535130</b>	<b>535131</b>	<b>535132</b>	<b>535133</b>	<b>535134</b>	<b>535135</b>	<b>535136</b>	<b>535137</b>
	white	<b>535220</b>	<b>535221</b>	<b>535222</b>	<b>535220</b>	<b>535221</b>	<b>535222</b>	<b>535223</b>	<b>535224</b>	<b>535225</b>	<b>535226</b>	<b>535227</b>	<b>535228</b>
	anthracite	<b>535307</b>	<b>535308</b>	<b>535309</b>	<b>535307</b>	<b>535308</b>	<b>535309</b>	<b>535310</b>	<b>535311</b>	<b>535312</b>	<b>535313</b>	<b>535314</b>	<b>535315</b>
right + left	grey	<b>535138</b>	<b>535139</b>	<b>535140</b>	<b>535141</b>	<b>535142</b>	<b>535143</b>	<b>535144</b>	<b>535145</b>	<b>535146</b>	<b>535147</b>	<b>535148</b>	<b>535149</b>
	white	<b>535229</b>	<b>535230</b>	<b>535231</b>	<b>535232</b>	<b>535233</b>	<b>535234</b>	<b>535235</b>	<b>535236</b>	<b>535237</b>	<b>535238</b>	<b>535239</b>	<b>535240</b>
	anthracite	<b>535316</b>	<b>535317</b>	<b>535318</b>	<b>535319</b>	<b>535320</b>	<b>535321</b>	<b>535322</b>	<b>535323</b>	<b>535324</b>	<b>535325</b>	<b>535326</b>	<b>535327</b>

## Pull to move Silent for heavy doors with bottom guide track

- **Version:** Complete WingLine L Pull to move Silent fitting set for heavy doors up to 25 kg, including opening mechanism, upper and lower guide track, and folding inter-door hinges. The doors open with a short pull on the handle and return to the closed position with soft closing.

opening side	door height	1400 - 1700 mm			1700 - 2200 mm			2200 - 2400 mm			2400 - 2600 mm		
	one door width	450 - 600 mm			400 - 600 mm			350 - 600 mm			330 - 600 mm		
	type of design of folding hinge	for screw fixing	knock-in	adjustable	for screw fixing	knock-in	adjustable	for screw fixing	knock-in	adjustable	for screw fixing	knock-in	adjustable
	colour of mechanism												
to the right	grey	<b>535150</b>	<b>535151</b>	<b>535152</b>	<b>535153</b>	<b>535154</b>	<b>535155</b>	<b>535156</b>	<b>535157</b>	<b>535158</b>	<b>535159</b>	<b>535160</b>	<b>535161</b>
	white	<b>535241</b>	<b>535242</b>	<b>535243</b>	<b>535244</b>	<b>535245</b>	<b>535246</b>	<b>535247</b>	<b>535248</b>	<b>535249</b>	<b>535250</b>	<b>535251</b>	<b>535252</b>
	anthracite	<b>535328</b>	<b>535329</b>	<b>535330</b>	<b>535331</b>	<b>535332</b>	<b>535333</b>	<b>535334</b>	<b>535335</b>	<b>535336</b>	<b>535337</b>	<b>535338</b>	<b>535339</b>
to the left	grey	<b>535162</b>	<b>535163</b>	<b>535164</b>	<b>535165</b>	<b>535166</b>	<b>535167</b>	<b>535168</b>	<b>535169</b>	<b>535170</b>	<b>535171</b>	<b>535172</b>	<b>535173</b>
	white	<b>535253</b>	<b>535254</b>	<b>535255</b>	<b>535256</b>	<b>535257</b>	<b>535258</b>	<b>535259</b>	<b>535260</b>	<b>535261</b>	<b>535262</b>	<b>535263</b>	<b>535264</b>
	anthracite	<b>535340</b>	<b>535341</b>	<b>535342</b>	<b>535343</b>	<b>535344</b>	<b>535345</b>	<b>535346</b>	<b>535347</b>	<b>535348</b>	<b>535349</b>	<b>535350</b>	<b>535351</b>
right + left	grey	<b>535174</b>	<b>535175</b>	<b>535176</b>	<b>535177</b>	<b>535178</b>	<b>535179</b>	<b>535180</b>	<b>535181</b>	<b>535182</b>	<b>535183</b>	<b>535184</b>	<b>535185</b>
	white	<b>535265</b>	<b>535266</b>	<b>535267</b>	<b>535268</b>	<b>535269</b>	<b>535270</b>	<b>535271</b>	<b>535272</b>	<b>535273</b>	<b>535274</b>	<b>535275</b>	<b>535276</b>
	anthracite	<b>535352</b>	<b>535353</b>	<b>535354</b>	<b>535355</b>	<b>535356</b>	<b>535357</b>	<b>535358</b>	<b>535359</b>	<b>535360</b>	<b>535361</b>	<b>535362</b>	<b>535363</b>

## Folding hinges (included in complete sets)



code	description
<b>409245</b>	HETTICH 9278694 WingLine L folding hinges 2 pcs, screw-on
<b>409247</b>	HETTICH 9278742 WingLine L folding hinges 3 pcs, screw-on

## Folding hinges (included in complete sets)



code	description
<b>409246</b>	HETTICH 9278788 WingLine L folding hinges 2 pcs, knock-in
<b>409248</b>	HETTICH 9278787 WingLine L folding hinges 3 pcs, knock-in



code	description
<b>534049</b>	HETTICH 9339492 WingLine L new centre hinges adjustable 2 pcs, grey



code	description
<b>534052</b>	HETTICH 9339496 WingLine L new centre hinges adjustable 3 pcs, grey



code	description
<b>534323</b>	HETTICH 9339493 WingLine L new centre hinges adjustable 2 pcs, white



code	description
<b>534337</b>	HETTICH 9339498 WingLine L new centre hinges adjustable 3 pcs, white

**Folding hinges (included in complete sets)**


code	description
<b>534332</b>	HETTICH 9339494 WingLine L new centre hinges adjustable 2 pcs, anthracite

**Folding hinges (included in complete sets)**


code	description
<b>534342</b>	HETTICH 9339499 WingLine L new centre hinges adjustable 3 pcs, anthracite

**Related product range – side hinges**

code	description
<b>245723</b>	HETTICH 9071313 Sensys 8675 110° TH52, full overlay, P20
<b>344694</b>	HETTICH 9091741 Sensys 8675 B12.5 TH52, full overlay, obsidian, P20
<b>245726</b>	HETTICH 9073665/9071316 Sensys 8675 full overlay 110° PTO TH knock-in
<b>417105</b>	HETTICH 9073662 Sensys 8675 110° TH52 full overlay screw-on
<b>245724</b>	HETTICH 9071314 Sensys 8675 110° TH52 P20
<b>500475</b>	HETTICH 9073666 Sensys 8675 half overlay 110° PTO, TH52×5.5 mm, knock-in
<b>421301</b>	HETTICH 9073671 Sensys 8675 full overlay 110° P20, 45×9.5, screw-on
<b>416652</b>	HETTICH 9073677 Sensys 8675 full overlay 110° P20, 45×9.5, quick-mount Fix
<b>421304</b>	HETTICH 9073672 Sensys 8675 half overlay 110° P20, 45×9.5, screw-on
<b>367204</b>	HETTICH 9073678 Sensys 8675 half overlay 110° P20, 45×9.5, quick-mount Fix

## Push/Pull to move for light doors including opening mechanism, top guide track and folding inter-door hinges

- Version:** Complete WingLine S Push/Pull to move fitting set for light doors up to 5 kg, including opening mechanism, upper guide track, and folding inter-door hinges. Without the bottom guide. The doors open either by a light push or a light pull on the handle; when closing, they must be pushed fully closed.

opening side	maximum door height	500 mm				1000 mm			
	one door width	250–300 mm		300–450 mm		250–300 mm		300–450 mm	
	type of design of folding hinge	for screw fixing	knock-in	for screw fixing	knock-in	for screw fixing	knock-in	for screw fixing	knock-in
colour of mechanism									
to the right	grey	<b>536220</b>	<b>536221</b>	<b>536220</b>	<b>536221</b>	<b>536222</b>	<b>536223</b>	<b>536222</b>	<b>536223</b>
	white	<b>536319</b>	<b>536803</b>	<b>536319</b>	<b>536803</b>	<b>536804</b>	<b>536805</b>	<b>536804</b>	<b>536805</b>
	anthracite	<b>536857</b>	<b>536858</b>	<b>536857</b>	<b>536858</b>	<b>536859</b>	<b>536860</b>	<b>536859</b>	<b>536860</b>
to the left	grey	<b>536224</b>	<b>536225</b>	<b>536224</b>	<b>536225</b>	<b>536226</b>	<b>536227</b>	<b>536226</b>	<b>536227</b>
	white	<b>536814</b>	<b>536815</b>	<b>536814</b>	<b>536815</b>	<b>536816</b>	<b>536817</b>	<b>536816</b>	<b>536817</b>
	anthracite	<b>536861</b>	<b>536862</b>	<b>536861</b>	<b>536862</b>	<b>536863</b>	<b>536864</b>	<b>536863</b>	<b>536864</b>
right + left	grey	<b>536228</b>	<b>536229</b>	<b>536230</b>	<b>536231</b>	<b>536232</b>	<b>536233</b>	<b>536234</b>	<b>536235</b>
	white	<b>536818</b>	<b>536819</b>	<b>536820</b>	<b>536821</b>	<b>536822</b>	<b>536823</b>	<b>536824</b>	<b>536825</b>
	anthracite	<b>536869</b>	<b>536870</b>	<b>536877</b>	<b>536881</b>	<b>536882</b>	<b>536883</b>	<b>536884</b>	<b>536889</b>

## Pull to move Silent for light doors including opening mechanism, top guide track and folding inter-door hinges

- Version:** Complete WingLine S Pull to move Silent fitting set for light doors up to 5 kg, including opening mechanism, upper guide track, and folding inter-door hinges. Without the bottom guide. The doors open with a short pull on the handle and return to the closed position with soft closing.

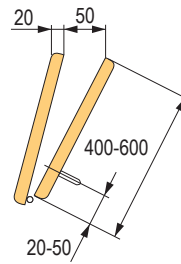
opening side	maximum door height	500 mm				1000 mm			
	one door width	250–300 mm		300–450 mm		250–300 mm		300–450 mm	
	type of design of folding hinge	for screw fixing	knock-in	for screw fixing	knock-in	for screw fixing	knock-in	for screw fixing	knock-in
colour of mechanism									
to the right	grey	<b>536236</b>	<b>536237</b>	<b>536236</b>	<b>536237</b>	<b>536239</b>	<b>536240</b>	<b>536239</b>	<b>536240</b>
	white	<b>536890</b>	<b>536891</b>	<b>536890</b>	<b>536891</b>	<b>536892</b>	<b>536893</b>	<b>536892</b>	<b>536893</b>
	anthracite	<b>536906</b>	<b>536907</b>	<b>536906</b>	<b>536907</b>	<b>536908</b>	<b>536909</b>	<b>536908</b>	<b>536909</b>
to the left	grey	<b>536252</b>	<b>536253</b>	<b>536252</b>	<b>536253</b>	<b>536254</b>	<b>536256</b>	<b>536254</b>	<b>536256</b>
	white	<b>536894</b>	<b>536895</b>	<b>536894</b>	<b>536895</b>	<b>536896</b>	<b>536897</b>	<b>536896</b>	<b>536897</b>
	anthracite	<b>536911</b>	<b>536912</b>	<b>536911</b>	<b>536912</b>	<b>536914</b>	<b>536915</b>	<b>536914</b>	<b>536915</b>
right + left	grey	<b>536257</b>	<b>536258</b>	<b>536259</b>	<b>536260</b>	<b>536310</b>	<b>536311</b>	<b>536312</b>	<b>536313</b>
	white	<b>536898</b>	<b>536899</b>	<b>536900</b>	<b>536901</b>	<b>536902</b>	<b>536903</b>	<b>536904</b>	<b>536905</b>
	anthracite	<b>536931</b>	<b>536933</b>	<b>536961</b>	<b>536962</b>	<b>536963</b>	<b>536967</b>	<b>536969</b>	<b>536970</b>

**Door specifications:**

- width (mm), 400-600
- height (mm), max. 3000
- thickness (mm), 19-25
- door weight 20-25 kg

## Wing Line 230 set

code	Hettich code	description
<b>108357</b>	10083	set for 1 folding door, left
<b>108359</b>	10084	set for 1 folding door, right
<b>108363</b>	79015	set for 2 folding doors



## Top bearing profile

code	Hettich code	colour	description
<b>108374</b>	79013	white	length: 2 400 mm
<b>132024</b>	79014	black	

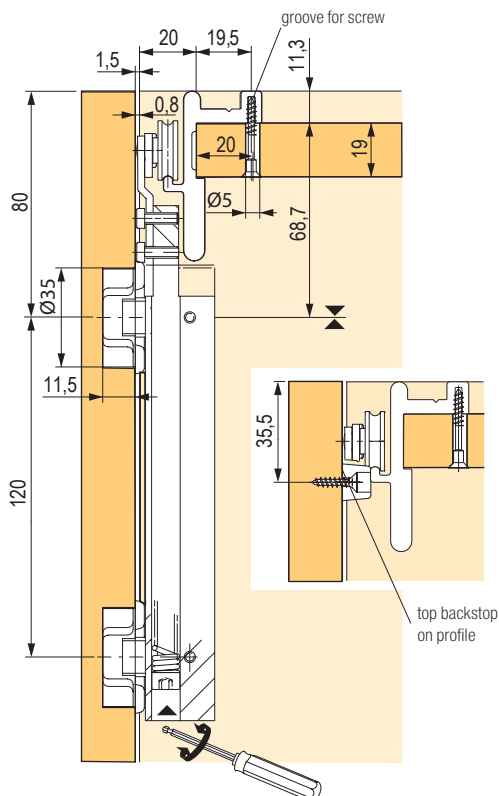
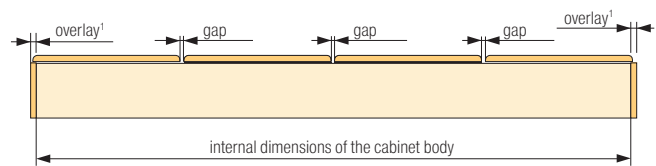
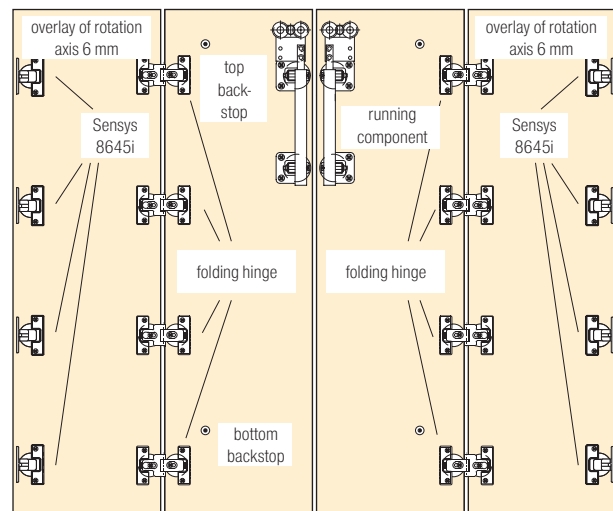
- screw-on
- anodised aluminium, plastic-covered


**calculation of door width and door width**  
**2 folding doors with 4 doors**

door width = internal clear width of cabinet body  
+ (2 × overlay<sup>1</sup>)

door width = internal clear width of cabinet body  
- (3 × gap)  
(2 × overlay<sup>1</sup>) ÷ 4

<sup>1</sup> overlay: max. 15 mm, dimension C 5 mm


**door assembly with 4 doors**
**folding doors with 4 doors**


2 folding doors with 4 doors

## Optional accessories

**Pull to move Silent double-sided set**

code	Hettich code	colour
<b>534130</b>	9339585	grey
<b>534346</b>	9339586	white
<b>534347</b>	9339587	black

# Wing 77

**Door specifications:**

- height (mm), 1 000–2 400
- thickness (mm), 16–19

## Set Wing 77

code	Hettich code	description	one door width (mm)	load capacity of one door (kg)
<b>104426</b>	70986	2 doors set	400–500	max. 25
<b>108350</b>	70987	4 doors set	400	max. 20

- left and right design

## Top and bottom guide profile

code	Hettich code	length 3 200 mm
<b>104485</b>	9193574	top guide
<b>104425</b>	70985	bottom guide

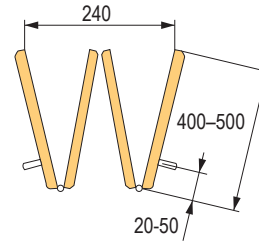
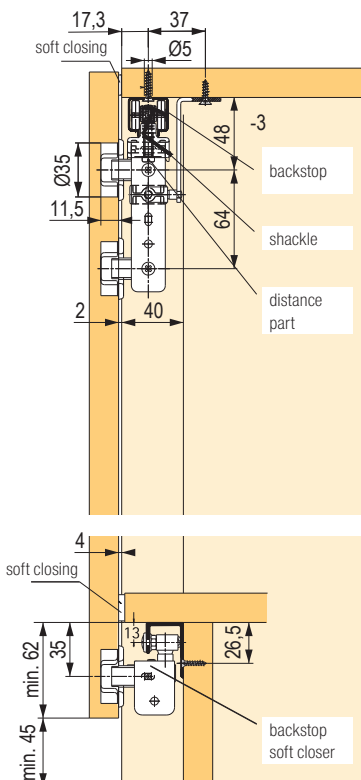
- pre-drilled
- screw-on
- silver-anodised aluminium



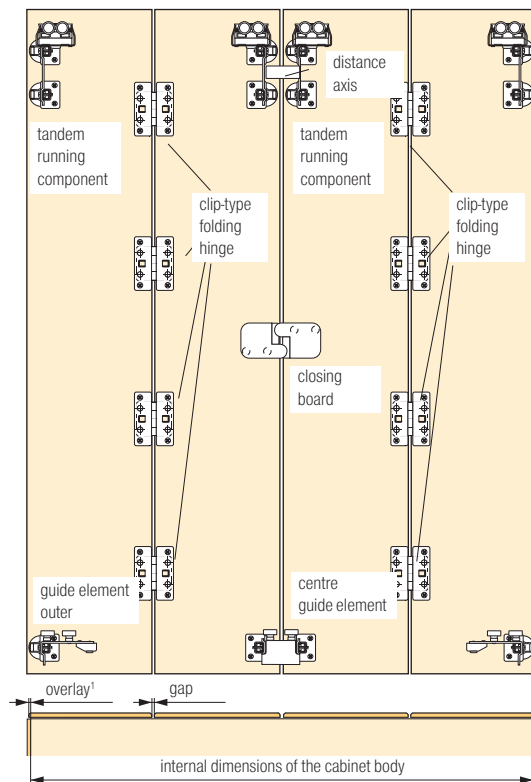
**calculation of door width and door width**

door width = internal clear width of cabinet body + (2× overlay<sup>1</sup>)  
 door width = internal clear width of cabinet body – (3× gap) + (2× overlay<sup>1</sup>) ÷ 4

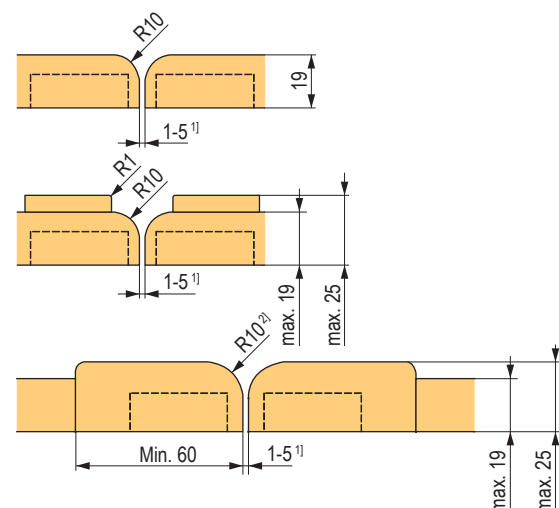
<sup>1</sup> overlay max. 15 mm, dimension C 6 mm



**folding doors with 4 doors**



**Roundness of door edges and gaps (finger protection)**



<sup>1</sup> gap depends on used gaskets  
<sup>2</sup> as big radius as possible

## Type 625 for folding doors



code	Hettich code	colour
<b>104439</b>	71648	nickel-plated steel

- hinge 625 is especially suitable for folding doors
- 180° opening angle
- hinge and pin are made of steel, with abrasion-resistant plastic intermediate rings
- with fixed pintle
- nickel-plated steel

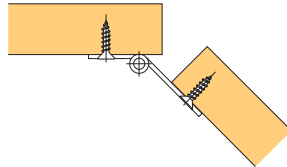
### Calculation of pintle offset for folding doors

B hole pitch mm <sup>1)</sup>	11,25	11,75	12,25	12,75	13,25
gap mm	5	4	3	2	1

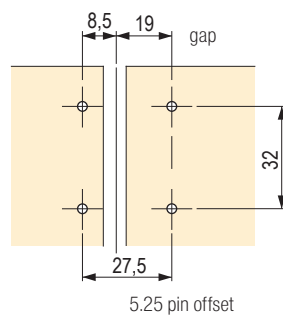
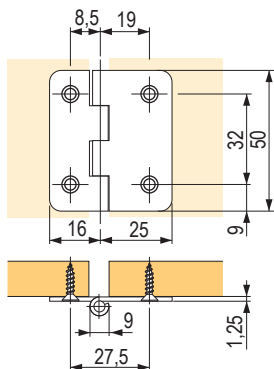
<sup>1)</sup> carry out trial mounting



hinge 625 for folding doors



use with offset pintle

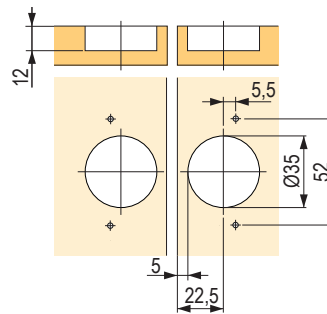


## Hinge for folding doors with offset pin



code	Hettich code	description
<b>104142</b>	46787	for screwing-on

- door thickness from 15 mm
- gap is adjustable from hair-size to + 4 mm
- door doors are always in one plane.
- drilling is identical for both hinge parts which are mounted separately
- 180° opening angle
- offset adjustment 0 mm, 3 mm, and 6 mm
- nickel-coated zinc casting



# alignment fittings for sliding doors

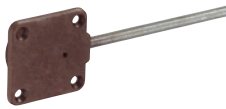
- can be used to prevent possible warping or to straighten an already existing warp
- can be used for door thickness from 16 mm and to a height of 2 600 mm
- 2 fittings are recommended for assembly of one door
- easy and trouble-free mounting
- screw the left- or right-hand threaded bar into the clamping sleeve
- screw the threaded bars into end attachments which are mounted in holes with a diameter of 35 mm and are fixed with screws
- rotating the nut in the clamping sleeve causes an expansion or constriction of bars and thus the tension of the plate
- covering the clamping sleeve, threaded bar and end attachments of the bar prevents damaging of items stored in the cabinet

code	Hettich code	colour
<b>104091</b>	45198	brown plastic

- with cover strips

**the set includes**

1 end attachment of a right-hand threaded bar



1 plastic cover



1 end attachment of a left-hand threaded bar



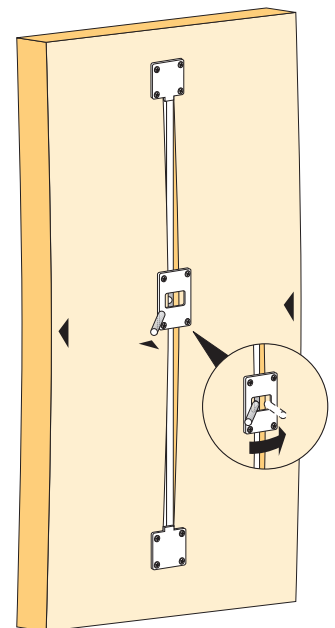
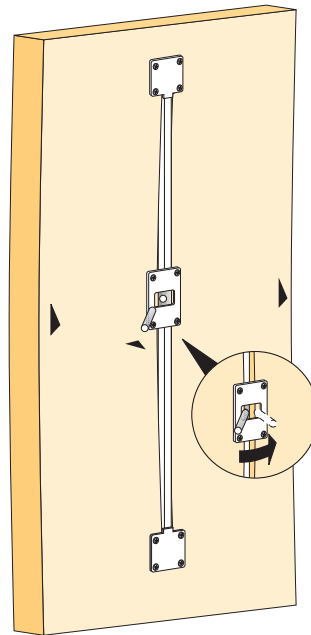
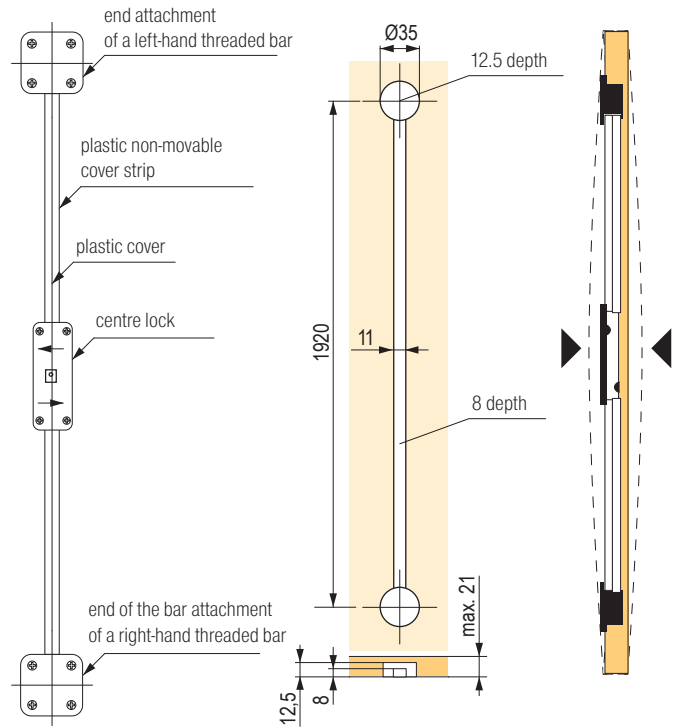
2 plastic strips



1 clamping sleeve



2 retainers for cover strips



# fittings for hinged and pocket doors

## KA 5740

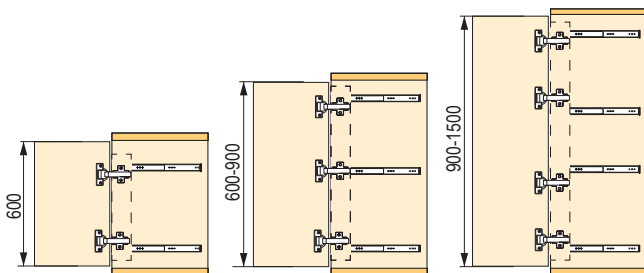
- for classically opened doors with the possibility of sliding into the cabinet body
- when using the accessories set, the door can be slid up

### Door specifications:

- max. weight: 8 kg
- max. height: 1500 mm
- max. width: 600 mm
- max. thickness: 19 mm

code	Hettich code	length (mm)
<b>106114</b>	41371	300
<b>107508</b>	41372	350
<b>105748</b>	41373	400
<b>106324</b>	41374	450
<b>105268</b>	41375	500
<b>105378</b>	41376	550
<b>107090</b>	41377	600
<b>104009</b>	41378	650
<b>105788</b>	41379	700

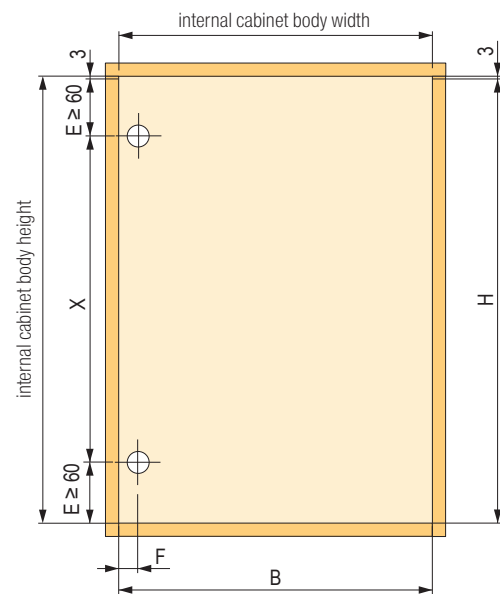
code	Hettich code	description
<b>107517</b>	9079526	set of accessories



Recommended number of fittings according to door height.

code	Hettich code	description
<b>264196</b>	9090260	Sensys for thick doors with integrated soft closing, full overlay
<b>104529</b>	73913	Intermat 9936 T42 K0, full overlay
<b>300804</b>	9155241	Intermat 9935 to 43 mm B18 TH22

- recommended plates: 106403 - screw, 119240 - euro screw



$H = \text{internal cabinet body height} - 6 \text{ mm}$

$B = \text{internal cabinet body width} - 6 \text{ mm}$

$X = \text{door height} - 2 \times E$

# approximate weight of each type of panel

- based on manufacturer's data and generally reported data

type of material	kg / 1 m <sup>2</sup>	
	from	to
DTDL 8 mm	5	6
DTDL 10 mm	6	8
DTDL 12 mm	7	9
DTDL 16 mm	10	11
DTDL 18 mm	11	12
DTDL 19 mm	17	18
DTDL 22 mm	13	17
DTDL 25 mm	15	19
DTDL 28 mm	16	20
DTDL 38 mm	20	25

- weight may vary by the respective manufacturer, density, recycled share, etc.

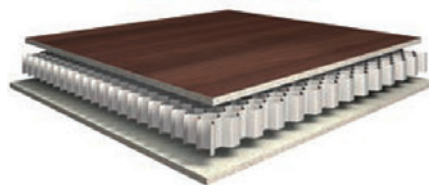


solid wood panels	kg / 1 m <sup>2</sup>	
	from	to
spruce 40 mm	18	19
beech 40 mm	25	29
oak 40 mm	24	30
larch 40 mm	22	24
ash 40 mm	23	28
havea 40 mm	27	29

- approximate values, at humidity of ca. 8%

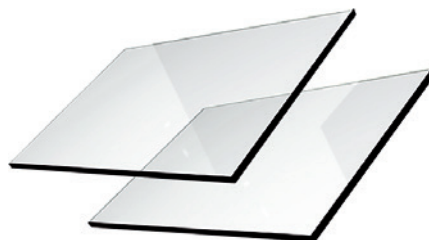


type of material	kg / 1 m <sup>2</sup>	
	from	to
MDF 10 mm	6	8
MDF 18 mm	12	14
MDF 25 mm	17	19
MDF 28 mm	19	21
honeycomb (Eurolight) 38 mm	11	12
honeycomb (Eurolight) 50 mm	11	12
HDF 2.5 mm	2	2,5
HPL 8 mm	10	11
HPL 10 mm	14	15
HPL 12 mm	15	18



type of material	kg / 1 m <sup>2</sup>
	approx.
Rauvisio 4 mm	5,7
Iacobel 4 mm	10
glass 4 mm	10
mirror 4 mm	10
glass 5 mm	12,5
glass 6 mm	15
glass 8 mm	20
glass 10 mm	25
glass 12 mm	30

- weight of safety glass varies minimally, use the closest value



- These weights are approximate and we advise to weigh the panels in order to ensure proper functioning, especially in case of more sophisticated and more sensitive devices.

# Magic2 – sliding interior doors without visible guide

- sliding doors without visible track (in both open and closed positions!)
- right-left version
- total door thickness min. 35–45 mm
- door width: 800–1800 mm
- maximum load capacity: 80 kg
- soft closing travel 50 mm, adjustable soft closers
- protection of doors against any contact with the wall
- horizontal and vertical adjustment
- protection against doors coming off the guide profile


 bottom  
guide


min. 35 mm


 ball  
bearings

 load  
80 kg


## For wooden doors

code	description
<b>368394</b>	TERNO Magic2 / 1800 fittings for wooden doors with soft closing
<b>368393</b>	TERNO Magic2 / 1100 fittings for wooden doors with soft closing

## For glass doors

glass thickness in mm	door width in mm	
	850 – 1050	1050 – 1750
8	<b>389344</b>	<b>389347</b>
10	<b>389345</b>	<b>389348</b>
12	<b>389346</b>	<b>389349</b>



## Frame version – complete sets of fittings including the frame

description	frame width max. 1100 mm			frame width max. 1500 mm		
	height max. 2200 (mm)	height max. 2600 (mm)	height max. 3000 (mm)	height max. 2200 (mm)	height max. 2600 (mm)	height max. 3000 (mm)
brushed silver	<b>389387</b>	<b>389388</b>	<b>389389</b>	<b>389401</b>	<b>389402</b>	<b>389403</b>
brushed black	<b>386095</b>	<b>389399</b>	<b>389400</b>	<b>389413</b>	<b>389414</b>	<b>389415</b>
brushed satin nickel	<b>389390</b>	<b>389391</b>	<b>389395</b>	<b>389404</b>	<b>389405</b>	<b>389406</b>

# Diva Fluid sliding interior doors

## For wooden doors

- Diva Fluid is a new patented sliding door system with a maximum load capacity of 80 kg
- minimalist design with quiet operation thanks to the new liquid soft closer
- the running components and soft closing are hidden in an innovative rail, so that the original door design stands out
- durable universal running profile ensures maximum durability, can be shortened
- easy assembly
- safety latch against unhinging
- individual items of the complete sets are available on our website



## Complete set with load capacity 30–80 kg with soft closing and top guide

number of doors	1		2			1		2		
"U" profile milled into the bottom of the door	no					yes				
surface treatment	door width in mm									
	600–1000	1000–1500	600–750	750–1000	1000–1500	600–1000	1000–1500	600–750	750–1000	1000–1500
Anodised silver, brushed	<b>473273</b>	<b>473274</b>	<b>473302</b>	<b>473361</b>	<b>473362</b>	<b>473297</b>	<b>473299</b>	<b>473386</b>	<b>473388</b>	<b>473390</b>
Anodised black, brushed	<b>473279</b>	<b>473280</b>	<b>473363</b>	<b>473364</b>	<b>473365</b>	<b>473300</b>	<b>473301</b>	<b>473398</b>	<b>473399</b>	<b>473401</b>

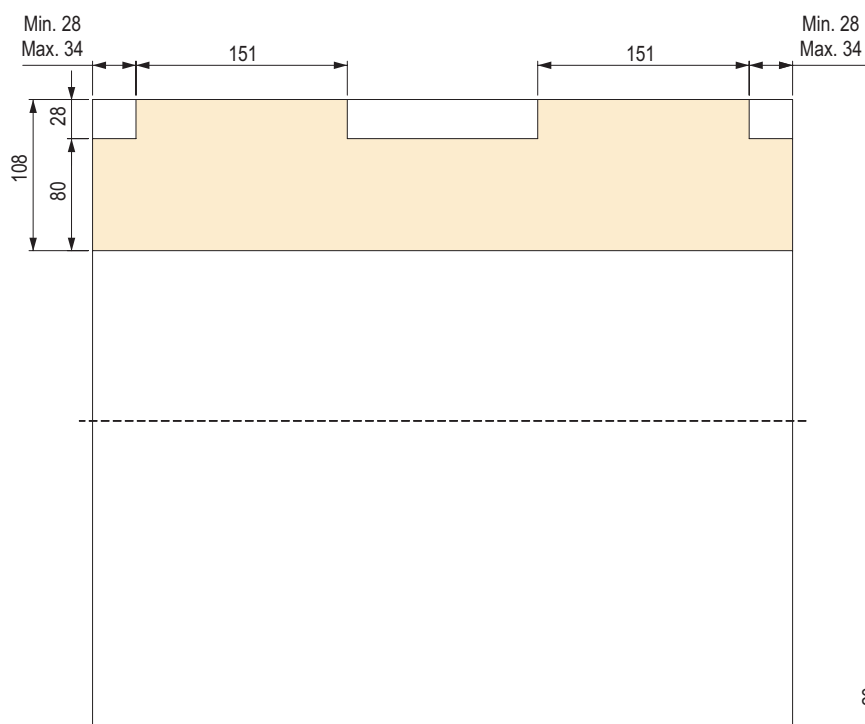
## Complete set with load capacity 30–80 kg with brake and top guide

number of doors	1		2			1		2		
"U" profile milled into the bottom of the door	no					yes				
surface treatment	door width in mm									
	600–1000	1000–1500	600–750	750–1000	1000–1500	600–1000	1000–1500	600–750	750–1000	1000–1500
Anodised silver, brushed	<b>485143</b>	<b>485144</b>	<b>485708</b>	<b>485709</b>	<b>485710</b>	<b>485177</b>	<b>485295</b>	<b>485714</b>	<b>485715</b>	<b>485716</b>
Anodised black, brushed	<b>485148</b>	<b>485176</b>	<b>485711</b>	<b>485712</b>	<b>485713</b>	<b>485296</b>	<b>485707</b>	<b>485717</b>	<b>485718</b>	<b>485719</b>

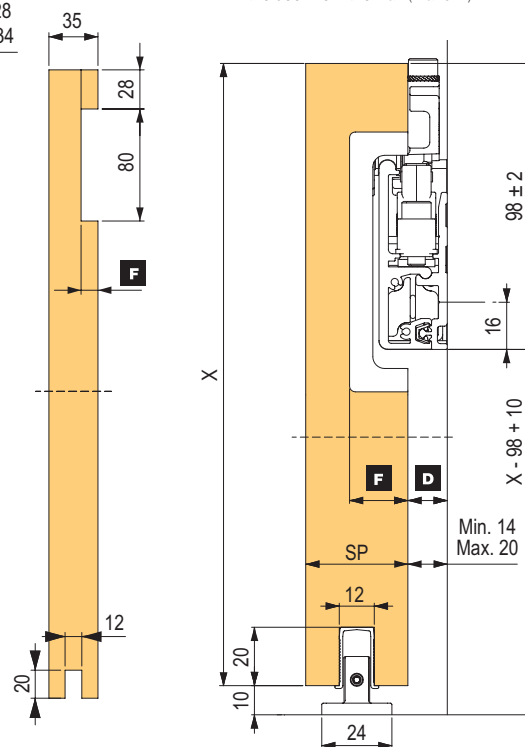
# Diva Fluid sliding interior doors



door preparation - milling dimensions



the depth of milling influences the offset of the door from the wall (F and D)



F	D
12	20
14	18
16	16
18	14

# Diva Fluid sliding interior doors



## For glass doors

- Diva Fluid is a new patented sliding door system with a maximum load capacity of 80 kg
- with silent operation thanks to the new liquid soft closer, which is completely concealed in the top guide
- safety latch against unhinging
- the front cover on the glass hides the sliding fittings and ensures the original appearance of the door
- for glass thicknesses from 8 to 12.7 mm
- individual items of the complete sets are available on our website



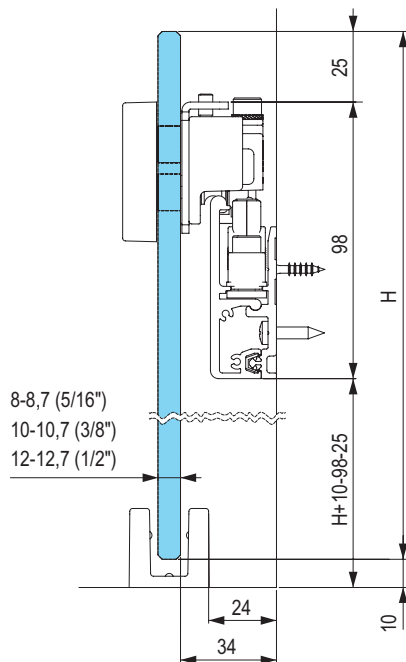
assembly manual on Youtube



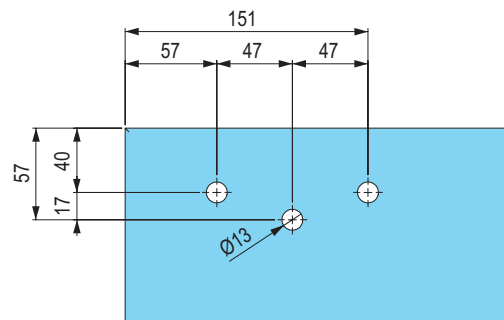
## Complete set with a load capacity of 30–80 kg, including the top guide

number of doors	1		2		1		2			
soft closer	yes				no					
surface treatment	door width in mm									
	600-1000	1000-1500	600-750	750-1000	1000-1500	600-1000	1000-1500	600-750	750-1000	1000-1500
Anodised silver, brushed	<b>485720</b>	<b>485721</b>	<b>485727</b>	<b>485724</b>	<b>485725</b>	<b>485731</b>	<b>485732</b>	<b>485735</b>	<b>485736</b>	<b>485737</b>
Anodised black, brushed	<b>485722</b>	<b>485723</b>	<b>485728</b>	<b>485729</b>	<b>485730</b>	<b>485733</b>	<b>485734</b>	<b>485738</b>	<b>485739</b>	<b>485740</b>

dimensional diagram



drilling of glass for fixing the running component



# Diva Fluid sliding interior doors

## Complete frame set with a load capacity of 30–80 kg, including the top guide, version with soft closer

- complete set including top guide
- for glass thickness of 5–8 mm
- individual items of the complete sets are available on our website

number of doors	1				2					
maximum door height (mm)	2200	2600		3000	2200		2600		3000	
surface treatment / door width (mm)	600-1000	800-1000	1000-1200	1000-1500	600-750	750-1000	750-1000	1000-1200	850-1000	1000-1500
Anodised silver, brushed	<b>506936</b>	<b>506937</b>	<b>506938</b>	<b>506939</b>	<b>506956</b>	<b>506957</b>	<b>506958</b>	<b>506959</b>	<b>506960</b>	<b>506961</b>
Anodised black, brushed	<b>506940</b>	<b>506941</b>	<b>506942</b>	<b>506943</b>	<b>506962</b>	<b>506963</b>	<b>506964</b>	<b>506965</b>	<b>506966</b>	<b>506967</b>

## Complete frame set with a load capacity of 30–80 kg, including the top guide, version with brake

- complete set including top guide
- for glass thickness of 5–8 mm
- individual items of the complete sets are available on our website

number of doors	1				2					
maximum door height (mm)	2200	2600		3000	2200		2600		3000	
surface treatment / door width (mm)	600-1000	800-1000	1000-1200	1000-1500	600-750	750-1000	750-1000	1000-1200	850-1000	1000-1500
Anodised silver, brushed	<b>506944</b>	<b>506945</b>	<b>506946</b>	<b>506947</b>	<b>506970</b>	<b>506971</b>	<b>506973</b>	<b>506974</b>	<b>506975</b>	<b>506976</b>
Anodised black, brushed	<b>506948</b>	<b>506949</b>	<b>506950</b>	<b>506951</b>	<b>506978</b>	<b>506981</b>	<b>506982</b>	<b>506984</b>	<b>506985</b>	<b>506986</b>



# StrongLine Barnio – sliding rustic interior doors



## Complete sets including guide profiles

- attractive design of running components with bearings
  - easy assembly
  - simple operation
  - possibility of soft closing on both sides
  - 80 kg load capacity
  - door thickness 30 to 45 mm
- Set contains:
- castors
  - wall mounting material
  - connecting material for guides
  - end stops
  - guide pin
  - top guide
  - soft closers

door thickness 40-45 mm	length (m)	with soft closing	without soft closing
Simple	2	<b>393229</b>	<b>393227</b>
	3	<b>393231</b>	<b>393230</b>
Big	2	<b>393222</b>	<b>393220</b>
	3	<b>393226</b>	<b>393224</b>
Square	2	<b>393233</b>	<b>393232</b>
	3	<b>393235</b>	<b>393234</b>

door thickness 30-40 mm	length (m)	with soft closing	without soft closing
Simple	2	<b>390800</b>	<b>390806</b>
	3	<b>390801</b>	<b>390807</b>
Big	2	<b>390804</b>	<b>390808</b>
	3	<b>390805</b>	<b>390809</b>
Square	2	<b>390802</b>	<b>390810</b>
	3	<b>390803</b>	<b>390811</b>



## Individual components

code	description
<b>390594</b>	Simple set
<b>390595</b>	Square set
<b>390596</b>	Big set
<b>390597</b>	set of soft closers
<b>390598</b>	top guide 2 m
<b>390599</b>	top guide 3 m
<b>390601</b>	connecting material for the wall
<b>392649</b>	connecting screws for doors 30-40 mm
<b>392650</b>	connecting screws for doors 40-45 mm

- components are already included in the complete sets



Simple



Square



Big

# StrongLine Barnio Fold – folding rustic interior doors

- attractive so-called farmhouse design
- easy assembly
- smooth movement when opening doors

## Complete set including top guide

code	colour	maximum width of one door (mm)	guide track length (mm)	number of doors	door load capacity (kg)	door thickness (mm)
<b>538046</b>	black matt	450	1000	2	40	30 - 45
<b>538048</b>			2000	4		

### the set includes:

- running components
- top guide
- interdoor hinges
- fixing and connecting material



## Individual components

code	description	length (mm)	colour
<b>538044</b>	set of fittings for 2 doors	-	black matt
<b>538040</b>	top guide	1000	
<b>390598</b>	top guide	2000	

# MINIMALIST DESIGN



## Maximum performance

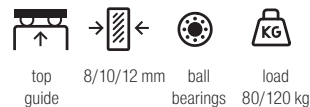


Original StrongMini fittings for drawers = slides with thin single side panel on a concealed slide, which allow **maximum use of cabinet space** for drawers, can be found on p. 03.13

# Vetro 40 sliding interior glass doors

## For glass doors up to 120 kg

- interior fittings for glass thickness 8–12.7 mm and weight up to 120 kg
- no need to drill into the glass
- the set contains complete fittings for one door including bracket cover caps
- we recommend using the widest doors possible
- narrow and tall doors are less stable and especially in connection with a soft closer may cause bouncing and malfunction



### Important

When the door is closed for the first time, the soft closers are not activated. Close the door slowly to activate the soft closers (click).

Rapid impact can damage the soft closer as the door strikes the end position without soft closing!

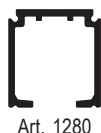
Always demonstrate before handing the product to the customer in order to prevent possible complications.



version	glass thickness in mm			minimum door width (mm)
	8 – 8,7	10 – 10,7	12 – 12,7	
up to 80 kg with absorber	<b>394416</b>	<b>394415</b>	<b>394414</b>	600
up to 80 kg with soft closer	<b>394411</b>	<b>394412</b>	<b>394413</b>	740
up to 120 kg with absorber	<b>394417</b>	<b>394418</b>	<b>394419</b>	600
up to 120 kg with soft closer	<b>394422</b>	<b>394421</b>	<b>394420</b>	740

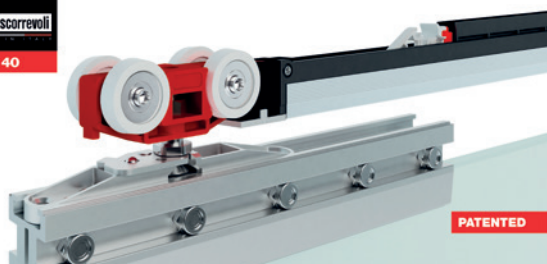
## Top guide Art. 1280

	anodised aluminium	black
1,5	<b>284680</b>	<b>506673</b>
2	<b>DT303</b>	<b>498578</b>
2,5	<b>284681</b>	<b>506674</b>
3	<b>DT304</b>	<b>506675</b>
4	<b>393803</b>	<b>506676</b>
6	<b>492018</b>	<b>506677</b>



Art. 1280

code	description
<b>DT336</b>	guide bracket Art. 127/DV



**PATENTED**

## Cover profile

	anodised aluminium	anodised black, brushed
2 m Art. 1690	<b>221491</b>	<b>498579</b>
3 m Art. 1690	<b>220765</b>	<b>529818</b>
4 m Art. 1690	<b>x</b>	<b>529819</b>
6 m Art. 1690	<b>252394</b>	<b>529820</b>



### Required number of brackets for wall mounting

length (m)	1,5	2	2,5	3	3,5	4	4,5	5	5,5	6
number of brackets	4	5	6	7	7	8	9	10	11	12

- the quality of operation of the fitting depends on proper fastening of the guide – no bending, twisting, etc.
- in case of lower load capacity of the wall, increase the number of fasteners
- check the planarity of fasteners before mounting the guide

## Side cover caps

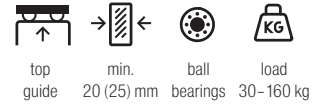
code	description
<b>306413</b>	of the cover profile



# Step sliding wooden interior doors

## For solid wood doors up to 160 kg

- minimum door thickness 20 mm (25 mm when assembled by milling), turned castors for quiet operation
- set for lighter doors, with soft closing option
- when attached to the wall, maximum door thickness is 40 mm
- we recommend using the widest doors possible
- narrow and tall doors are less stable and especially in connection with a soft closer may cause bouncing and malfunction

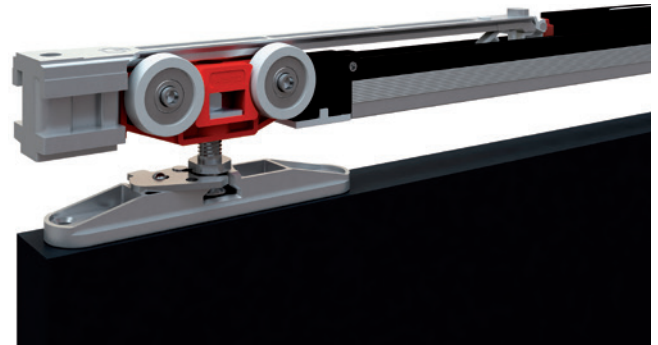


type of fittings	load capacity in kg					door width in mm
	30	50	80	120	160	
set of fittings with brake	<b>392694</b>	×	<b>392703</b>	×	<b>392715</b>	min. 600 (160 kg - min 700)
set of fittings 2 × fluid soft closer	<b>392699</b>	<b>392701</b>	<b>392704</b>	<b>392707</b>	<b>489956</b>	min. 740 (160 kg - min. 865)
set of fittings 2 × absorber	×	<b>392702</b>	<b>392705</b>	<b>392709</b>	×	min. 600 (160 kg - min. 865)

- The Step system is equipped with a rubber soft closer which significantly reduces the noise level
- easy to assemble and disassemble, easier adjustment of the door position before placing the door; secured against dropping
- the main advantage is the possibility of milling the running components into the top edge of the door, which can reduce the gap between the top edge of the door and the guide profile to a minimum

### Important

When the door is closed for the first time, the soft closers are not activated. Close the door slowly to activate the soft closers (click). Rapid impact can damage the soft closer as the door strikes the end position without soft closing. Always demonstrate before handing the product to the customer in order to prevent possible complications.



## Top guide

length (m)	30 kg	50-160 kg anodised	50-160 kg anodised black	160 kg for version with brake	door width (mm)
1,5	×	<b>284680</b>	<b>506673</b>	×	700-850
2	<b>198955</b> <b>539609</b> <sup>1)</sup>	<b>DT303</b>	<b>498578</b>	<b>DT305</b>	850-1100
2,5	×	<b>284681</b>	<b>506674</b>	×	1100-1350
3	<b>392697</b>	<b>DT304</b>	<b>506675</b>	<b>DT306</b>	1350-1600
4	×	<b>393803</b>	<b>506676</b>	<b>399177</b>	1600-2150
6		<b>492018</b>	<b>506677</b>	<b>DT307</b>	2150-3200
guide bracket	<b>392695</b>	<b>DT336</b>	<b>285338</b>	×	

<sup>1)</sup> top guide track for milling-in

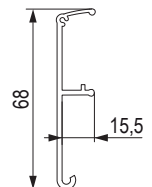
### Required number of guide brackets for wall mounting

length (m)	1,5	2	2,5	3	3,5	4	4,5	5	5,5
number of brackets	4	5	6	7	7	8	9	10	11

- the quality of operation of the fitting depends on proper fastening of the guide - no bending, twisting, etc.
- in case of lower load capacity of the wall, increase the number of brackets
- check the planarity of brackets before mounting

## Cover profile for 50-160 kg

	anodised aluminium	black
2 m	<b>DT333</b>	<b>506679</b>
3 m	<b>DT334</b>	<b>506680</b>
6 m	<b>DT335</b>	<b>506681</b>

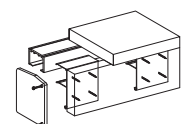


## Side cover cap for cover profile

	anodised aluminium	black
code	<b>135251</b>	<b>506678</b>

## Wooden lining bracket

code	<b>133383</b>
------	---------------

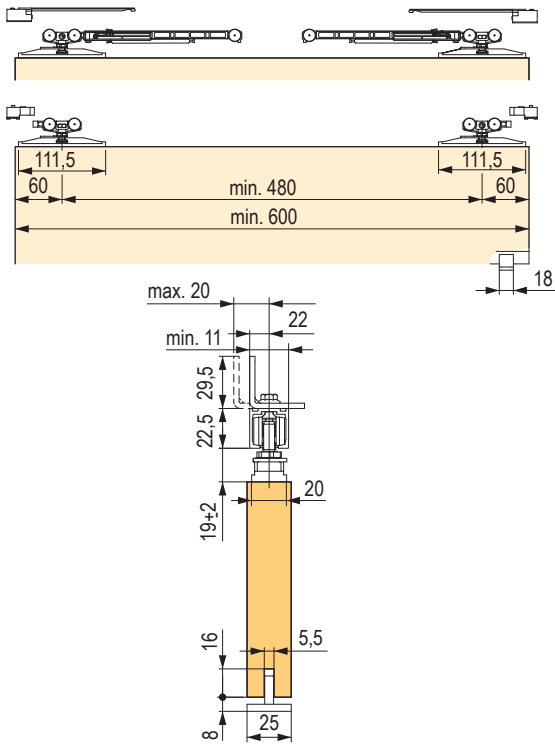


- wood lining bracket / side cover cap of cover profile

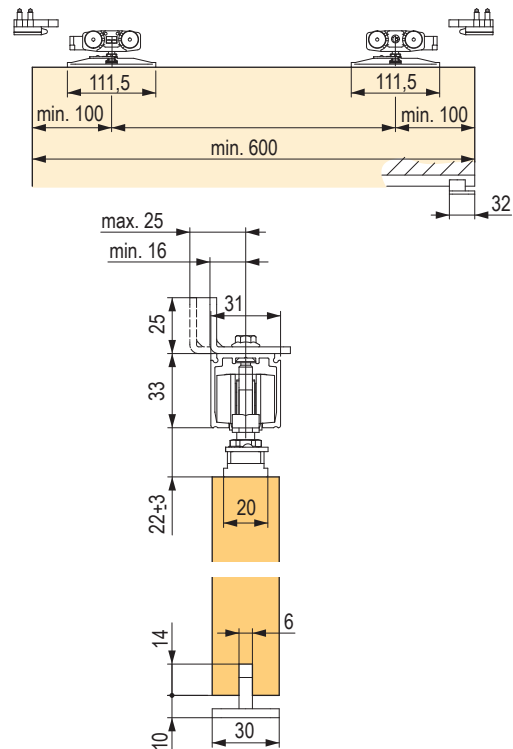
sets for sequential or synchronous opening of door doors can be found on pp. 07.127 - 129

# Step sliding wooden interior doors

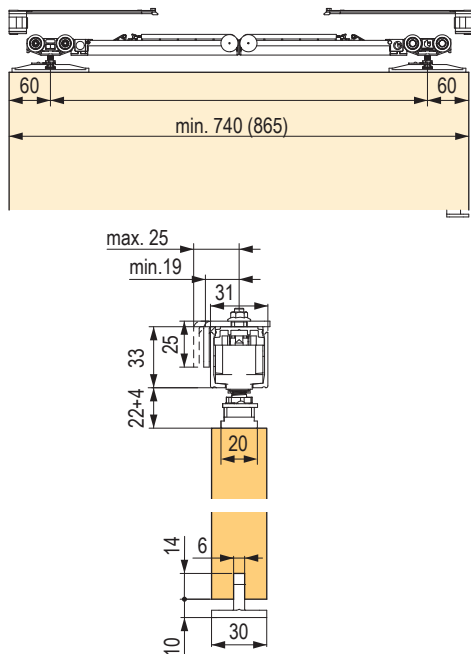
door fittings for 30 kg (brake, fluid soft closer)



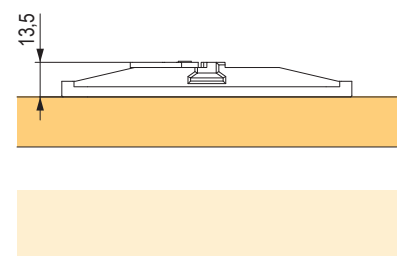
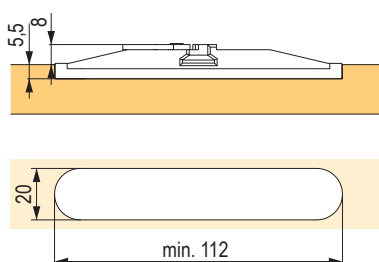
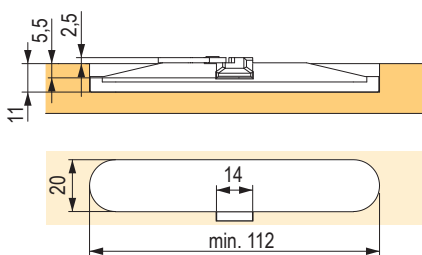
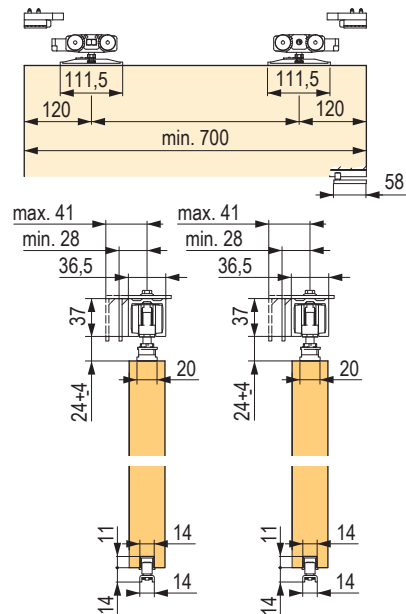
door fittings for 50-160 kg (brake, absorber)



door fittings for 50-160 kg (fluid soft closer)



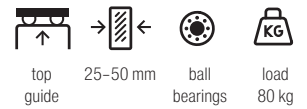
door fittings for 160 kg (brake)



# StrongLine smooth opening set

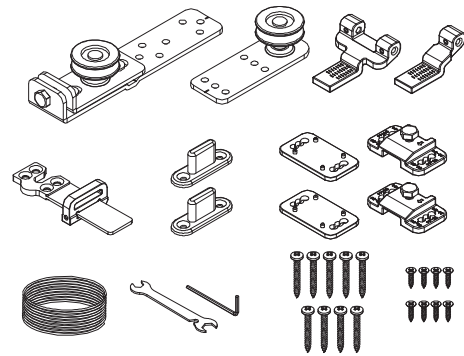


## Fittings for smooth gradual opening of door



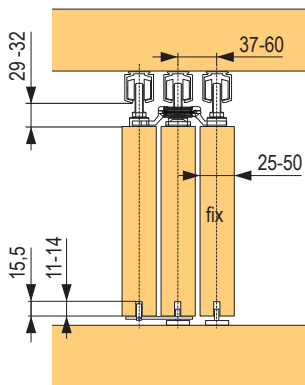
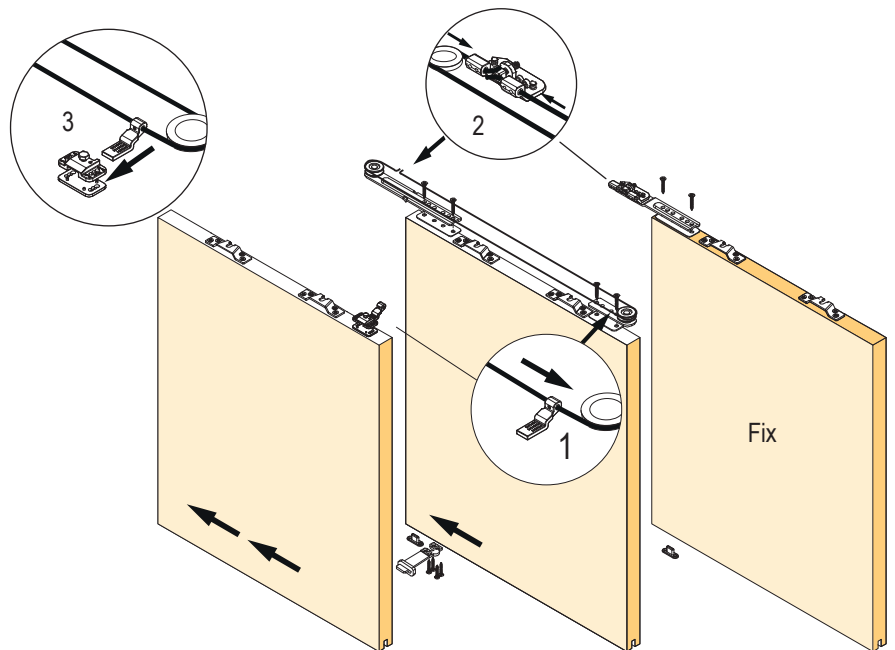
- by pulling the outer door, the middle door moves smoothly
- it is possible to install with any set meeting the following conditions:
  - distance between the door and guide 29-32 mm
  - distance between doors 37-60 mm (axes of individual doors)
- guide profiles and fitting sets are not included in the system, must be purchased separately

code	description
<b>355892</b>	complete set



Assembly manual:

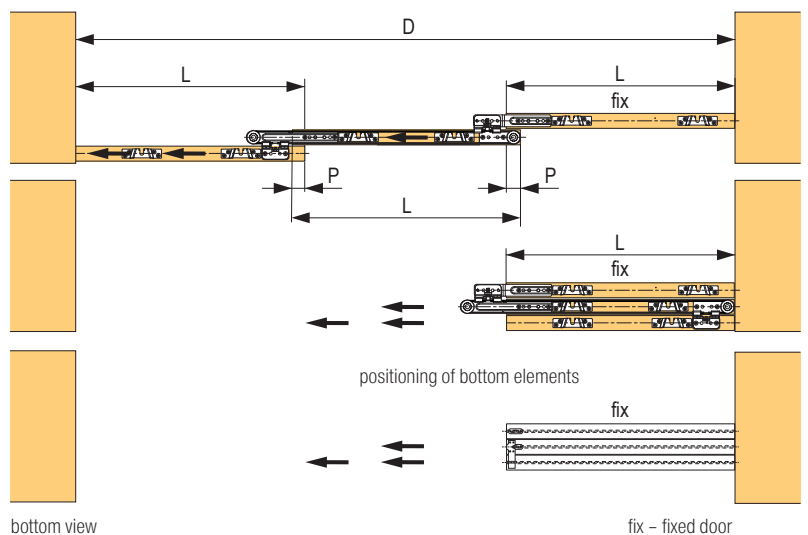
1. fasten the fittings on the individual doors,
2. install a fixed door,
3. install a middle door,
4. thread the cable through the fastening element, Fig. 1,
5. pull the cable around the pulleys so that the free ends are at the fixed door and the fastening element 2 is on the third door,
6. thread the loose ends of the cable through the fastening element, Fig. 2 (on the fixed door), and fasten slightly,
7. install the third door, attach the fastening element to it, Fig. 3,
8. adjust and tighten, cut off the remaining part of the cable,
9. tighten the cable using an adjustment screw on the middle door, loosen the cable on the fastening element in order to adjust the mutual position of the doors,
10. on the third door, it is possible to install soft closers in the outer positions, the remaining sets must be without soft closing.



$P > 75 \text{ mm}$   
 $400 < L < 1350 \text{ mm}$

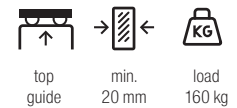
$$L = \frac{(2 \times P) + D}{3}$$

D – hole width  
 L – door width  
 P – door overlap



# sequential door opening set

## Complete sets for different numbers of doors



- For Step fittings, only version with brake

code	description
<b>393196</b>	set for gradual opening of 2 doors
<b>393201</b>	set for gradual opening of 3 doors
<b>393203</b>	set for gradual opening of 4 doors

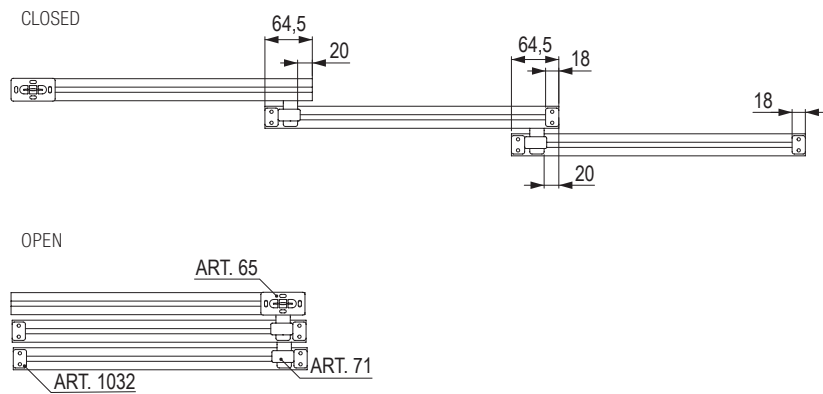
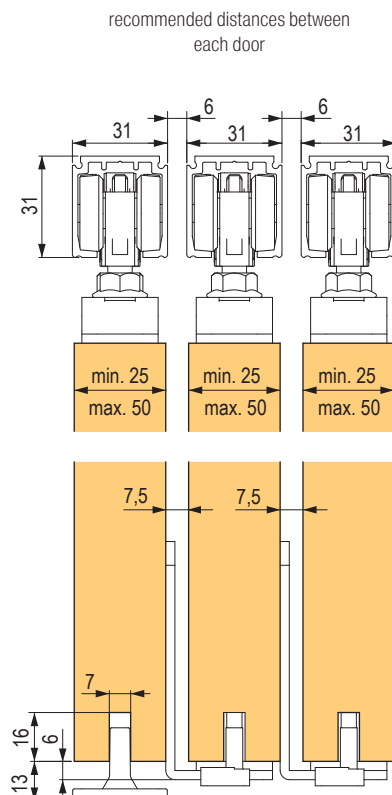
- top guides and fittings must be ordered separately

## Accessories

code	description
<b>382758</b>	bottom guide pin art. 65 light grey
<b>382759</b>	telescope guide art. 71 / G
<b>DT338</b>	telescope brake art. 1032

- Only these components are part of the fittings sets enabling gradual opening. Sets of fittings and guides for individual doors must be ordered separately. Any type that does not contain a soft closer can be used.

The shown guide is illustrative, a different type can also be used.



# fittings for synchronous opening



## Complete sets



top  
guide



load  
80 kg

code	description
<b>394325</b>	synchro set for interior fittings with soft closing 80 kg
<b>394327</b>	synchro set for interior fittings with absorber 80 kg
<b>402868</b>	synchro set for interior fittings with brake 80 kg

- a complete set for 2 doors, ensures soft closing when closing the door
- doors weight up to 80 kg

☑ it is necessary to buy the top guide to these sets, see table

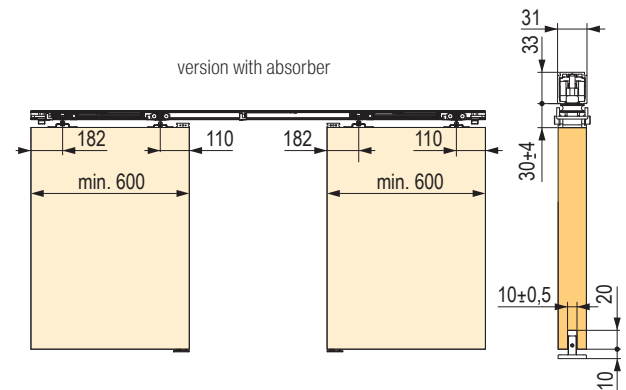
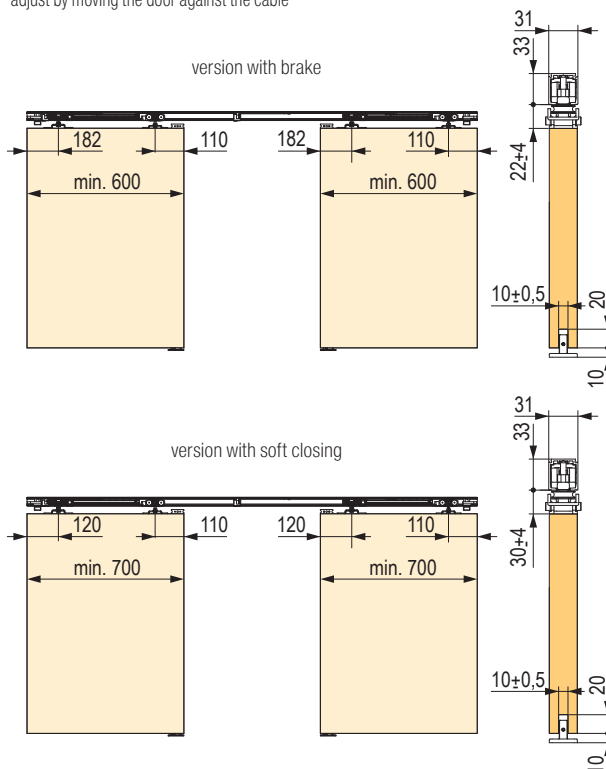


## Top guide 50–80 kg

code	length (m)
<b>284681</b>	2,5
<b>DT304</b>	3
<b>393803</b>	4
<b>DT336</b>	guide bracket

## Assembly

- attach the pulleys to the guide profile, mount the anchoring elements on the doors
- thread the cable through the pulleys and secure to one anchoring element (1), then secure both ends to the second anchoring element (2)
- adjust by moving the door against the cable

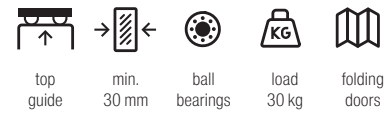


### Important

When the door is closed for the first time, the soft closers are not activated. Close the door slowly to activate the soft closers (click). Rapid impact can damage the soft closer as the door strikes the end position without soft closing. Always demonstrate before handing the product to the customer in order to prevent possible complications.

# folded interior doors

## Set of fittings



code	description
<b>87449</b>	for 2 doors

- fittings suitable for folding doors (partition walls) in the interior for two doors, one is anchored to the side of the wall
- the system includes the set of fittings itself plus the top aluminium rail with the length of 1.5 to 3 m (longer on demand)
- designed for door width 30 mm; thicker doors can also be used if the top groove is milled-in asymmetrically (distance of the groove 5 mm from the outer edge of the door is preserved)

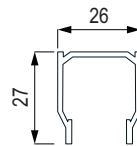
## Top guide – simple

code	length
<b>87481</b>	1,5 m
<b>87482</b>	2 m
<b>87483</b>	3 m

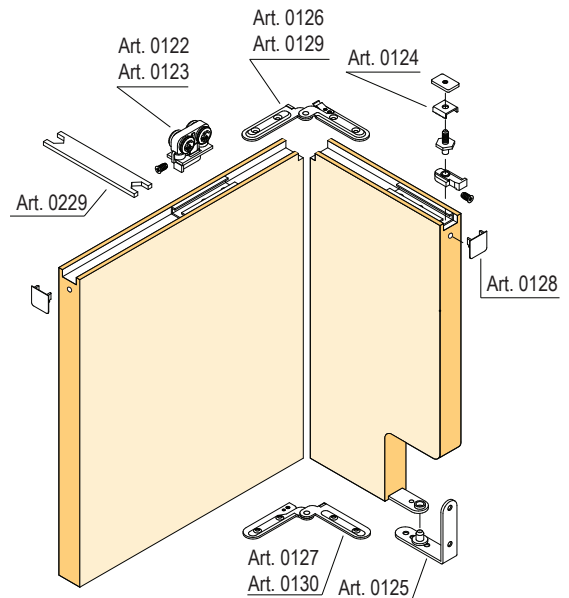
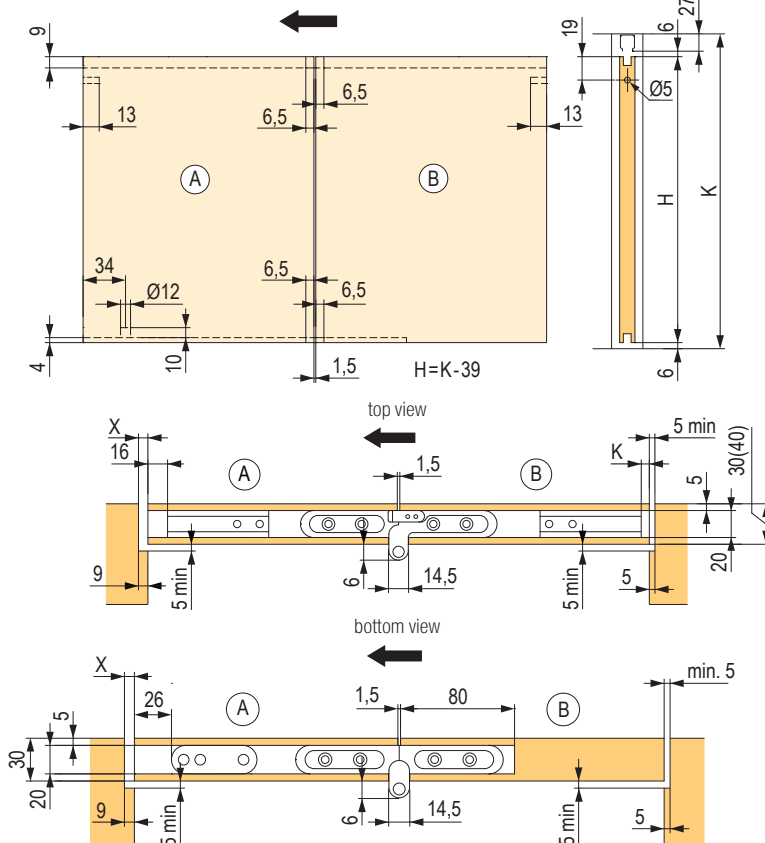
X = 9 mm      angle bracket Art. 0125 is mounted to the door frame

K = 8 mm      door opening angle 105° (recommended)

K = 16 mm      door opening angle 90°



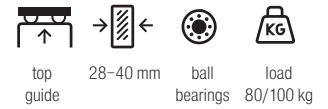
dimensional diagram of doors



# SILENT – fittings for interior doors – 100 kg



- special design of running components for particularly quiet operation
- when mounted on the wall, max. door thickness 40 mm
- **FILO - version with milled handles, the gap between the top guide and the door is only 8 mm**



## Complete fitting sets for 1 door without guide track

SILENT FILO			SILENT		
100 kg without soft closing	40 kg with soft closing	80 kg with soft closing	100 kg without soft closing	40 kg with soft closing	80 kg with soft closing
<b>229352</b>	<b>403795</b>	<b>403796</b>	<b>229351</b>	<b>403798</b>	<b>403799</b>

- the set must be completed with top guide

## Top guide

code	description
<b>229140</b>	1.5 m Art. 0195
<b>229333</b>	2 m Art. 0195
<b>229334</b>	3 m Art. 0195
<b>229335</b>	6 m Art. 0195

## Complete SILENT fitting set for 1 door including guide track and wall clips

version with brake	version with soft closing	guide track length L (mm)
<b>545372</b>	<b>545375</b>	1500
<b>545373</b>	<b>545376</b>	2000
<b>545374</b>	<b>545377</b>	3000

- packed in tubes
- soft-closing set – minimum door width 680 mm
- we recommend using the widest doors possible
- narrow and tall doors are less stable and especially in connection with a soft closer may cause bouncing and malfunction

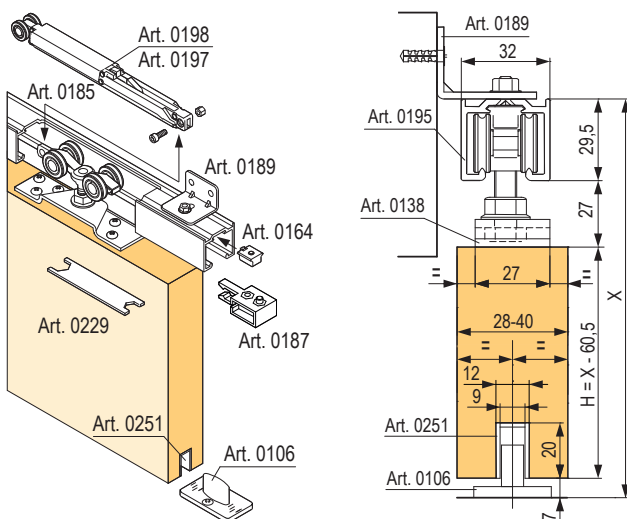
## Optional accessories

code	description
<b>229349</b>	top guide fastener Art. 0189

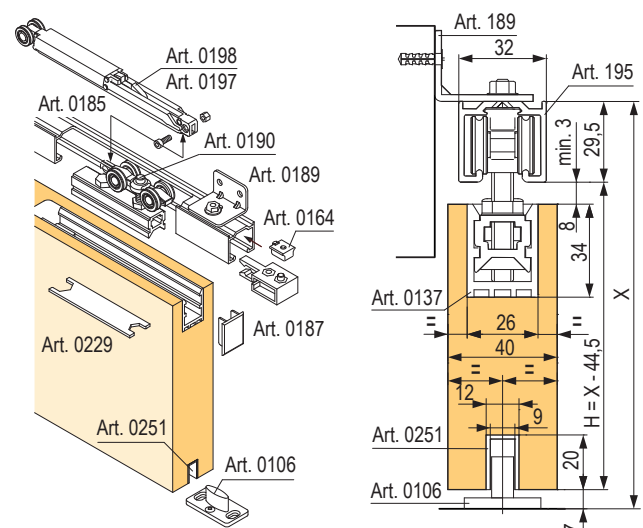
- recommended pitch: every 30 cm

code	description
<b>87447</b>	bottom profile for milling-in ART.0251 2 m
<b>87417</b>	bottom profile for milling-in ART.0251 4 m

Silent



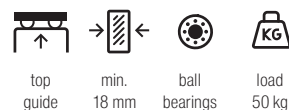
Silent Filo



# Simple sliding interior doors

- fittings for lighter sliding doors and sliding walls
- running components have bearings to ensure quiet operation
- designed for door thickness from 18 mm
- 2 guide versions available - with attachment to the ceiling or to the wall

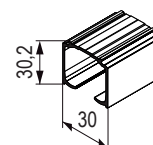
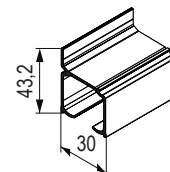
- when mounted on the wall, the need for wall fasteners and their adjustment is eliminated



code	description
<b>399180</b>	set of fittings for 1 door, load capacity 50 kg, without soft closing
<b>404307</b>	set of fittings for 1 door, load capacity 50 kg 1 × soft closer
<b>404308</b>	set of fittings for 1 door, load capacity 50 kg 2 × soft closer

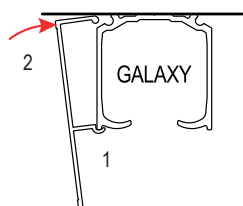
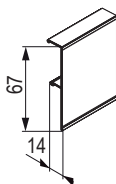
**!** when using sets with a soft closer, the minimum recommended door width/weight is 800 mm/30 kg; correct soft-closing function is not guaranteed at lower values

guide length	GALAXY WALL guide, 50 kg load capacity	GALAXY CEILING guide, 50 kg load capacity
1,5 m	x	x
2 m	<b>279091</b>	<b>279088</b>
3 m	<b>279092</b>	<b>279089</b>
6 m	<b>279093</b>	<b>279090</b>



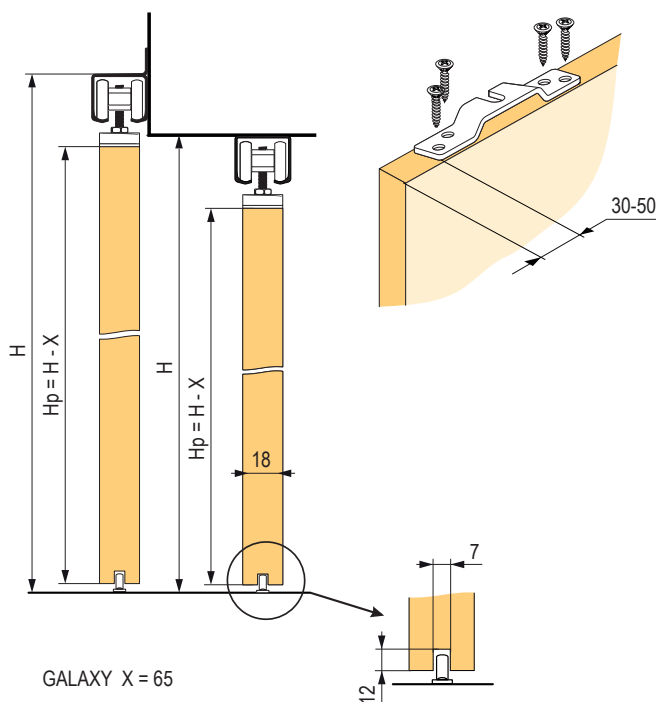
## Galaxy cover profiles

code	length
<b>279094</b>	2 m
<b>279095</b>	3 m
<b>279096</b>	6 m



door height depending on positioning (full overlay / inset)

distance of the running component attachment from the edge of the door



# folding interior doors – VersAtile



## Folding interior doors – VersAtile



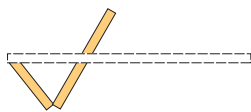
load  
max. 80 (mm)



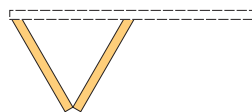
26-45 mm

- Load capacity up to 80 kg.
- Gap between carriages and doors only 6 mm, ensuring a clean aesthetic appearance.
- Fluid Technology – patented technology for exceptionally smooth and quiet door operation.
- Easy assembly – the split bracket allows the first door panel to be attached to the hinges in just a few steps; the remaining doors can be installed in the same way.
- Flexibility – one system for all folding door configurations.

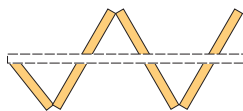
### Without bottom guide



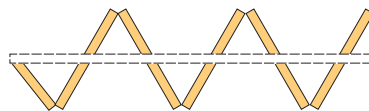
set for two doors



set for two doors



set for four doors



set for six doors

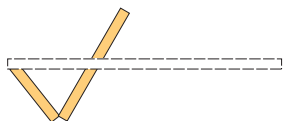


bottom guide	NO						
	height	up to 2400 mm			2400-3000 mm		
version	folding hinges	rebate-free hinges + magnetic locking device		inter-door hinges + magnetic locking device	rebate-free hinges + magnetic locking device		inter-door hinges + magnetic locking device
load capacity/material thickness	80 kg/ 26 - 45mm	(30) 40 kg/ 32 - 45mm	80 kg/ 40 - 45mm	80 kg/ 35 - 45mm	(30) 40 kg/ 32 - 45mm	80 kg/ 40 - 45mm	80 kg/ 35 - 45mm
set for two doors (80 kg/wing)	<b>546590</b>	<b>546924</b>	<b>546949</b>	<b>524072</b>	<b>546962</b>	<b>546963</b>	<b>546591</b>
set for four doors (40 kg/wing)	x	<b>546964</b>	x	<b>546971</b>	<b>546966</b>	x	<b>546972</b>
set for six doors (25-30 kg/wing)	x	<b>546969</b>	x	<b>546979</b>	<b>546970</b>	x	<b>546980</b>

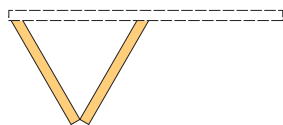


# folding interior doors – VersAtile

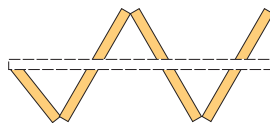
With bottom guide



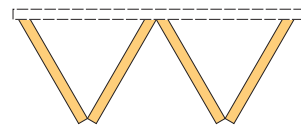
set for two doors



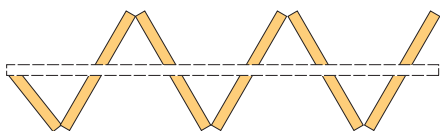
set for two doors



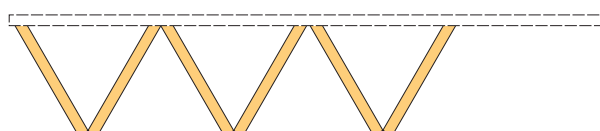
set for four doors



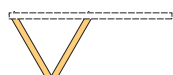
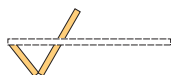
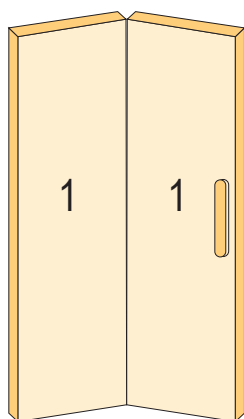
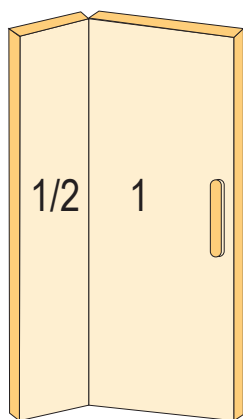
set for four doors



set for six doors



set for six doors



bottom guide	YES						
height	up to 2400 mm				2400–3000 mm		
version	folding hinges	rebate-free hinges + magnetic locking device		inter-door hinges + magnetic locking device	rebate-free hinges + magnetic locking device		inter-door hinges + magnetic locking device
load capacity/material thickness	80 kg/ 26 - 45mm	(30) 40 kg/ 32 - 45mm	80 kg/ 40 - 45mm	80 kg/ 35 - 45mm	(30) 40 kg/ 32 - 45mm	80 kg/ 40 - 45mm	80 kg/ 35 - 45mm
set for two doors	<b>546927</b>	<b>546986</b>	<b>546989</b>	<b>524075</b>	<b>546992</b>	<b>546995</b>	<b>546931</b>
set for four doors (40 kg/wing)	×	<b>546987</b>	×	<b>546990</b>	<b>546993</b>	×	<b>546996</b>
set for six doors (25–30 kg/wing)	×	<b>546988</b>	×	<b>546991</b>	<b>546994</b>	×	<b>546997</b>

## Top and bottom guide, cover profile

	length in (mm)					
surface treatment – anodised black	1.5	2	2.5	3	4	6
top guide	<b>506673</b>	<b>498578</b>	<b>506674</b>	<b>506675</b>	<b>506676</b>	<b>506677</b>
bottom guide	×	<b>524076</b>	×	<b>547050</b>	×	<b>547051</b>
upper guide track cover strip	×	<b>547052</b>	×	<b>524077</b>	×	<b>547053</b>