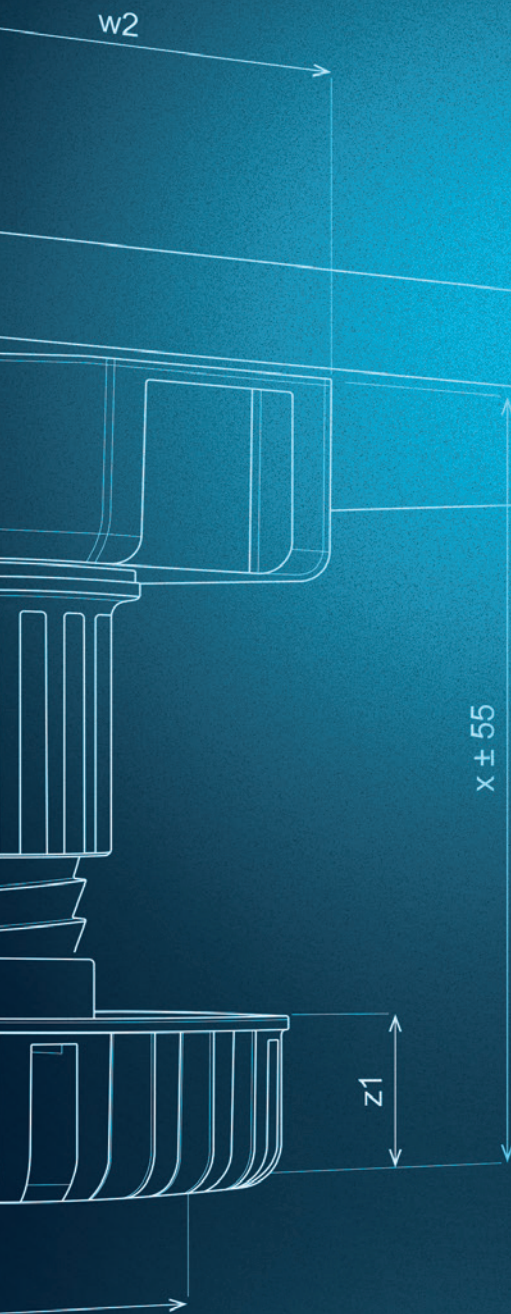


$h_1$





# legs, glides and castors



## SAMPLE ROOM DISPLAYS

Not all legs are equal – want to make the right choice? Come and see for yourself, or send your customers to our sample room. We will walk them through everything and help them make the right choice.



## PORTAL

A customer portal for shopping, order overview, placing formatting orders and checking their status, information about stock and your prices and much more in one place.



## ADVISORY SERVICE





Not sure which fittings to choose or how to assemble them? Call +420 556 684 310 or email [export@demos-trade.com](mailto:export@demos-trade.com) and we will be happy to help you.



## DELIVERY TO YOUR DOOR







All orders will be delivered to your hands within 72 hours.

# contents

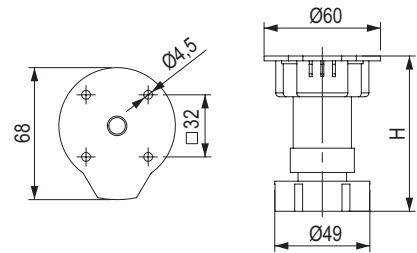
	<p><b>adjustable legs</b></p>	<p>Strong <b>08.5</b>                  Scilm <b>08.9</b>                  Hettich <b>08.7</b></p>
	<p><b>plinths</b></p>	<p>Scilm <b>08.11</b></p>
	<p><b>levelling legs</b></p>	<p>Strong <b>08.12; 08.15</b>                  Italiana Ferramenta <b>08.13</b></p>
	<p><b>glides</b></p>	<p>Strong <b>08.16</b></p>



# contents

	<b>table legs</b>	<b>08.20</b>
	<b> fittings for extendable tables Pöttker</b>	<b>08.42</b>
	<b> furniture legs metal (FS)</b>	<b>08.29</b>
	<b> furniture legs aluminium (FA)</b>	<b>08.36</b>
	<b> furniture legs plastic (FP)</b>	<b>08.39</b>
	<b> castors</b>	<b>Strong 08.49</b> <b>Tente 08.58</b>

## AP 001



code	height H (mm)	adjustment (mm)
<b>223781</b>	80	-5 / + 15
<b>82560</b>	100	-5 / + 20
<b>82561</b>	120	-7 / + 15
<b>82562</b>	150	-6 / + 15

- legs are supplied assembled with flange
- leg can be slid off the flange
- leg consists of 3 parts – flange, round profile and adjusting screw

## Plinth clip

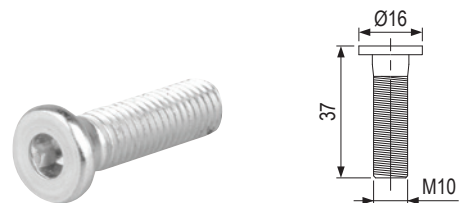


159927

82564

code	description
<b>82564</b>	for screwing-on
<b>159927</b>	for plastic plinths

## Screw with hex-key head



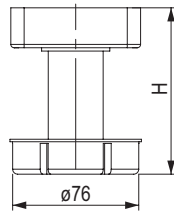
code	description
<b>82563</b>	M10 × 37

- for attaching the adjustable leg from the inside of the cabinet body

# StrongLegs – adjustable legs and accessories

## AP 002

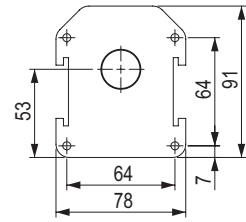
### Legs without flange



code	height H (mm)	adjustment (mm)
<b>548081</b>	100	-10 / + 25
<b>548082</b>	120	-15 / + 20
<b>548083</b>	150	-30 / + 20

- flange must be ordered separately

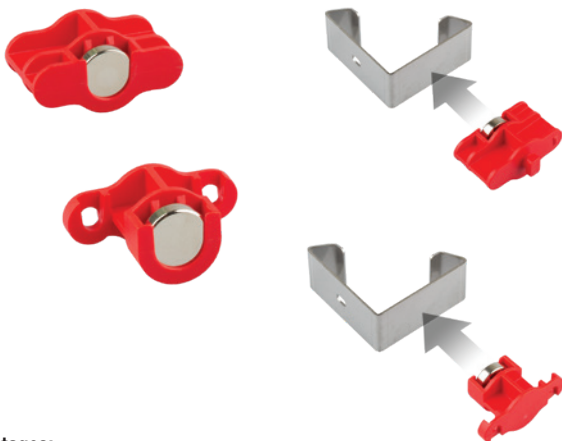
### Flanges



code	description
<b>548079</b>	screw-on flange
<b>548080</b>	knock-in flange

- the flange can also serve as a glide

### Magnetic clips for AP 002



#### Advantages:

- no time-consuming measuring required
- adjust position of the magnet in groove or the clip on the leg as desired
- allows quick installation and removal of the plinth

#### Set contains:

- 1 pc of metal clip on the leg, 1 pc of magnet

code	description
<b>548147</b>	for plastic plinths
<b>548149</b>	for wooden plinths

### Plinth clip



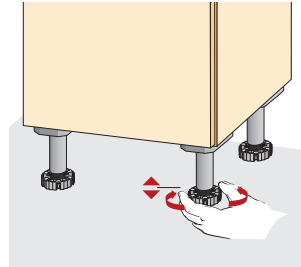
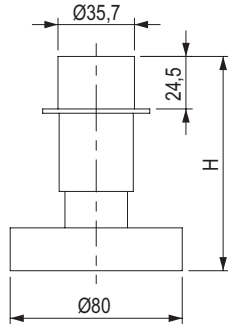
146997



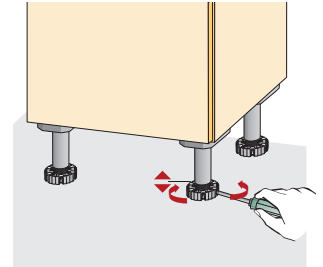
146996

code	description
<b>146997</b>	for screwing-on
<b>146996</b>	for plastic plinths

## Legs without a glide

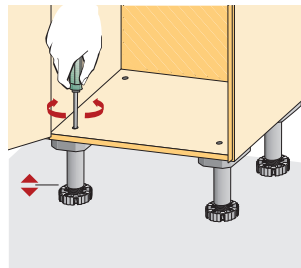


height adjustment by hand

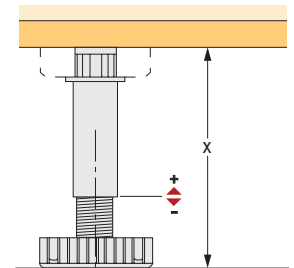


height adjustment from the front with a screwdriver

code	Hettich code	plinth height X (mm)	adjustment (mm)
<b>105986</b>	44747	50	-0 / + 10
<b>105987</b>	9306015	70	-8 / + 16
<b>105988</b>	70151	80	-6 / + 30
<b>105989</b>	61851	100	-11 / + 25
<b>105975</b>	70152	110	-11 / + 25
<b>105994</b>	61852	130	-11 / + 25
<b>105995</b>	9306017	150	-11 / + 25
<b>105984</b>	70153	180	-11 / + 25

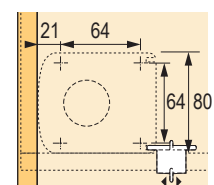
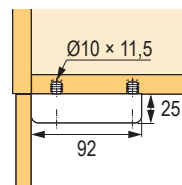
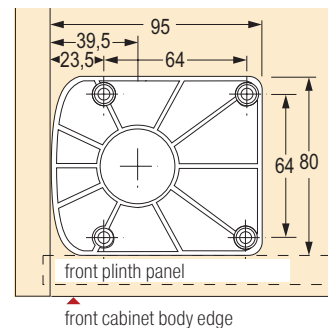
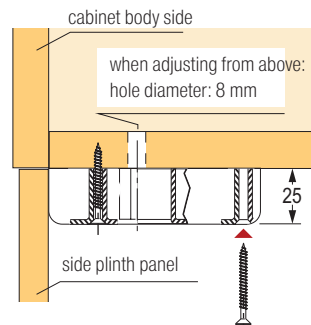


height adjustment from above with a screwdriver



- perfect combination of glide, plinth leg and plinth panel attachment
- load capacity: 450 kg/pc
- safe stability of the leg in the glide during assembly and when moving the cabinet
- large bearing surface with diameters 78 and 80 mm
- plus/minus height adjustment is easy, it is carried out by hand or with a screwdriver
- black plastic

## Flanges



code	Hettich code	description
<b>104975</b>	61854	for screwing-on
<b>92413</b>	47654	for driving-in

- black plastic

# Korrekt adjustable legs and accessories

## Plinth clip



code	Hettich code	description
<b>106882</b>	61855	screw-on
<b>104957</b>	73481	into a wooden groove
<b>492895</b>	9319972	plastic plinth clip

- black plastic
- for plinth heights from 70 mm

## Extension adapter



code	Hettich code	description
<b>103865</b>	71844	extension by + 50 mm

- black plastic

## Adjustment tool

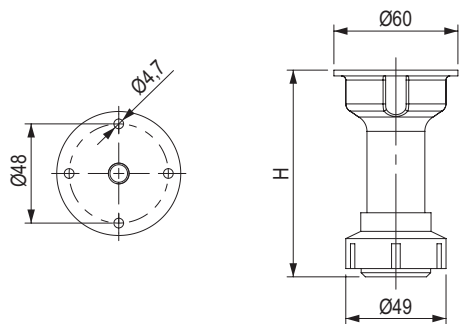


code	Hettich code	description
<b>374128</b>	9253384	length: 1 000 mm

- a cabinet of total weight with a total weight of up to 300 kg (cabinet body + contents) can be adjusted
- allows easy adjustment of the legs even in less accessible places
- the legs can be adjusted even at full load
- for use only with Korrekt legs from Hettich

# adjustable legs

## Legs with flange



code	height H (mm)	adjustment (mm)
<b>82750</b>	100	-5 / + 18
<b>82756</b>	120	
<b>82757</b>	150	

- tested load capacity according to CATAS is 300 kg/pc
- the leg consists of 2 parts: top flange with central part and adjusting screw

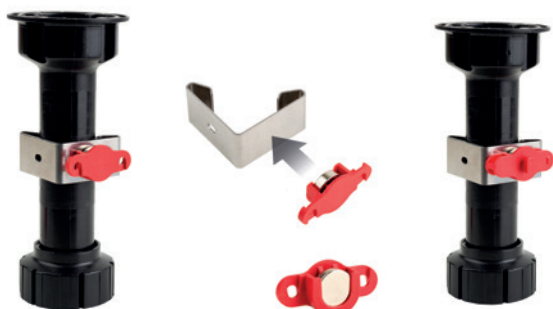
## Scilm adjustment key



code	description
<b>548240</b>	rectifying key for Scilm feet

- compatible with Scilm adjustable feet and Scilm fridge base

## Magnetic plinth clip



code	description
<b>392097</b>	for plastic plinths
<b>405134</b>	for wooden plinths

### How does the magnetic plinth clip work?

A simple and quick way to attach the plinth to the leg.

#### Advantages:

- no time-consuming measuring required
- adjust position of the magnet in groove or the clip on the leg as desired
- allows quick installation and removal of the plinth



## Plinth clip



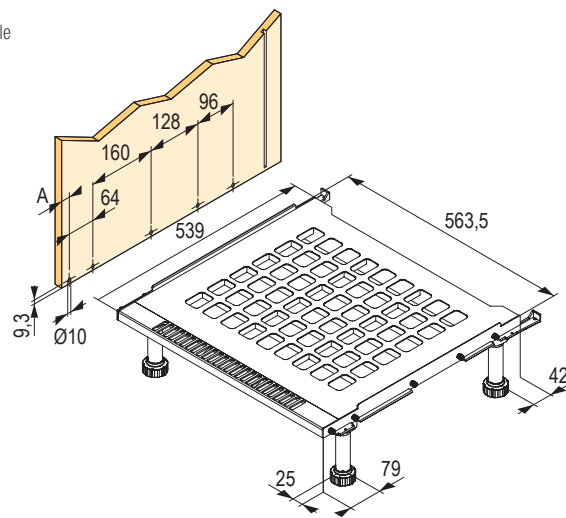
code	description
<b>132206</b>	screw-on
<b>82760</b>	corner screw-in
<b>159925</b>	corner slide-on for plastic plinths

**Ventilation base for a built-in fridge**

code	description	leg height (mm)
<b>504313</b>	base + 4 pcs of legs	100
<b>504314</b>	base + 4 pcs of legs	120
<b>504315</b>	base + 4 pcs of legs	150



- the above sets include 1 pc ventilation base and 4 pcs Scilm legs
- improves air circulation for proper fridge functioning
- no need to insert a grid into the plinth under the fridge
- simple installation and long-term stability
- prepared dowels for joining with the cabinet body
- material - plastic
- the ventilation grid of the base is not removable



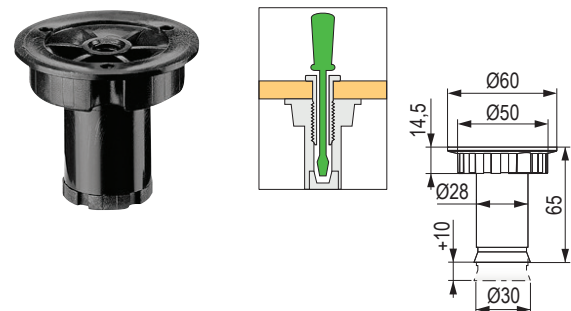
**Disassembly fixture for plinth**



code	description
<b>494879</b>	plastic

- fixture for easy removal of the already installed plastic plinth

**Scilm adjustable leg for wardrobes**



code	height (mm)	adjustment (mm)
<b>231495</b>	65	+ 10

- top adjustment (from the inside of cabinet body)
- tested load capacity: 300 kg/pc

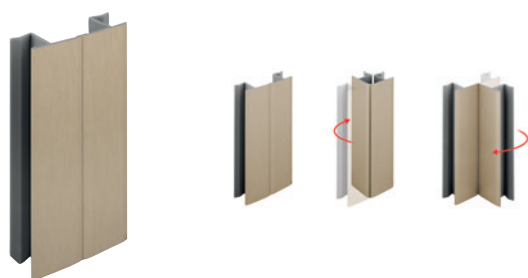
## Plinth profiles



colour	height 100 mm	height 120 mm	height 150 mm
brushed stainless steel	<b>478195</b>	<b>478196</b>	<b>478197</b>
brushed aluminium	<b>478192</b>	<b>478193</b>	<b>478194</b>
black matt	<b>478198</b>	<b>478199</b>	<b>478200</b>
black polished	<b>478201</b>	<b>478202</b>	<b>478203</b>
white polished	<b>478204</b>	<b>478205</b>	<b>478206</b>
white matt	<b>478207</b>	<b>478208</b>	<b>478209</b>
copper brushed	<b>481211</b>	<b>481212</b>	<b>481213</b>
brushed gold	<b>481214</b>	<b>481215</b>	<b>481216</b>

- profile length: 4 m
- optional purchase: 2 m
- PVC material
- rubber seal on the bottom of the plinth
- compatible with common adjustable legs fixing brackets
- protective film to prevent damage to the profile
- **sample book of plinths and accessories available under article Nr. 487993**

## Flexi connector



colour	height 100 mm	height 120 mm	height 150 mm
brushed stainless steel	<b>478253</b>	<b>478254</b>	<b>478255</b>
brushed aluminium	<b>478250</b>	<b>478251</b>	<b>478252</b>
black matt	<b>478256</b>	<b>478257</b>	<b>478258</b>
black polished	<b>478259</b>	<b>478260</b>	<b>478261</b>
white matt	<b>478262</b>	<b>478263</b>	<b>478264</b>
white polished	<b>478265</b>	<b>478266</b>	<b>478267</b>
copper brushed	<b>481217</b>	<b>481218</b>	<b>481219</b>
brushed gold	<b>481226</b>	<b>481227</b>	<b>481228</b>

- universal connector for outside/inside corner 90-270°



## Outer corner 90°/ end piece



colour	height 100 mm	height 120 mm	height 150 mm
brushed stainless steel	<b>478213</b>	<b>478214</b>	<b>478215</b>
brushed aluminium	<b>478210</b>	<b>478211</b>	<b>478212</b>
black matt	<b>478216</b>	<b>478217</b>	<b>478218</b>
black polished	<b>478219</b>	<b>478220</b>	<b>478221</b>
white matt	<b>478222</b>	<b>478223</b>	<b>478224</b>
white polished	<b>478225</b>	<b>478226</b>	<b>478227</b>
copper brushed	<b>481223</b>	<b>481224</b>	<b>481225</b>
brushed gold	<b>481232</b>	<b>481234</b>	<b>481235</b>

- connector for creating a 90° corner joint or for finishing a plinth profile

## Continuous connector



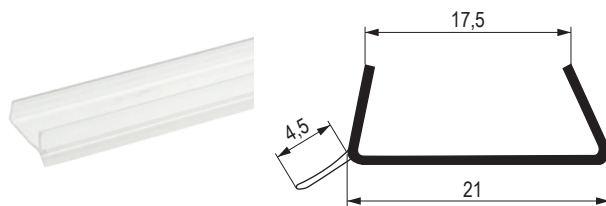
colour	height 100 mm	height 120 mm	height 150 mm
brushed stainless steel	<b>478234</b>	<b>478235</b>	<b>478236</b>
brushed aluminium	<b>478228</b>	<b>478231</b>	<b>478232</b>
black matt	<b>478237</b>	<b>478238</b>	<b>478241</b>
black polished	<b>478243</b>	<b>478244</b>	<b>478245</b>
white polished	<b>478246</b>	<b>478247</b>	<b>478248</b>
white matt	<b>478249</b>	<b>479278</b>	<b>479279</b>
copper brushed	<b>481220</b>	<b>481221</b>	<b>481222</b>
brushed gold	<b>481229</b>	<b>481230</b>	<b>481231</b>

- connector for joining 2 plinth profiles end to end

## Plinth panel sealing profile

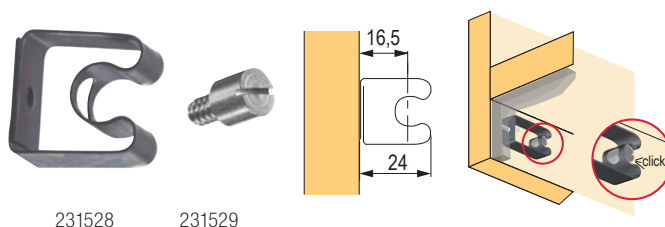
code	length (m)	description
<b>82113</b>	3	transparent

- board of thickness 18 mm



## Wardrobe plinth clip and counterpart

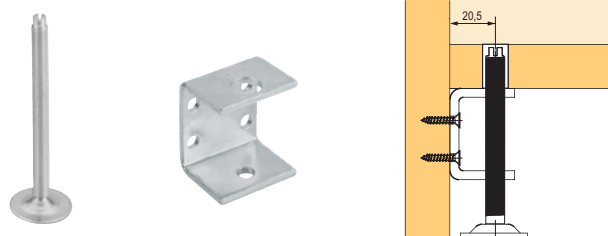
code	description	
<b>231528</b>	front panel	metal
<b>231529</b>	striker plate	



## Adjusting plinth screw and plinth angle bracket

### Plinth screws

- screws with foot cover cap
- material: galvanised steel / plastic

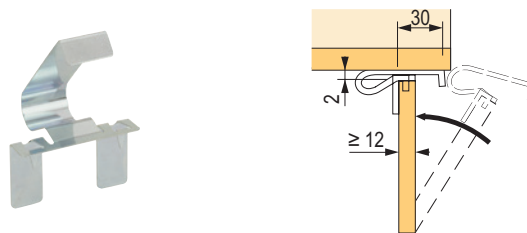


plinth screws			plinth angle bracket	
code	Hettich code	height H (mm)	code	Hettich code
<b>502181</b>	9318255	50	<b>184882</b>	71870
<b>502182</b>	9318260	80		
<b>502183</b>	9318261	100		

## Turboclip – plinth clip

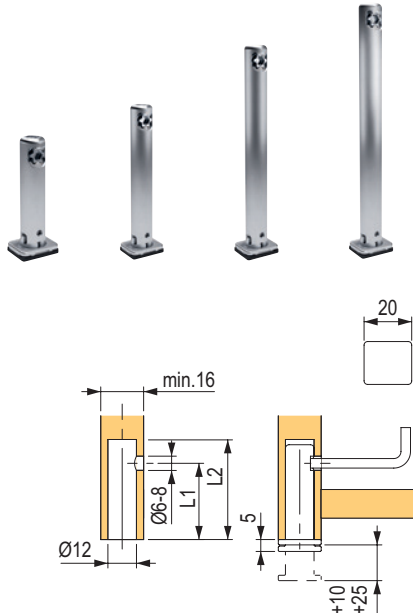
code	Hettich code	package (pcs)
<b>107948</b>	79690	200

- for front plinth strips, min. material thickness 12 mm
- plinth panel must be 2 mm shorter than total plinth height
- installation: plinth is clamped from underneath of the cabinet body



# adjustable legs for continuous side

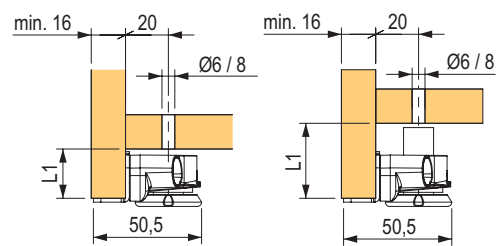
## Rekord TECH



code	hole position L1 (mm)	height L2 (mm)	adjustment (mm)
<b>497588</b>	52	62	+ 25
<b>497589</b>	70	80	
<b>497590</b>	100	110	
<b>497591</b>	120	130	

- load capacity of each leg - 150 kg
- adjustment from the side of the cabinet body with a 4 mm hex key

## Concealed for continuous side Integrato tech A and G



code	description	height L1 (mm)	adjustment (mm)	suitable for material type
<b>497602</b>	Integrato tech A	23	12	MDF
<b>497603</b>		35	20	
<b>497604</b>	Integrato tech G	23	12	LDF
<b>497605</b>		35	20	

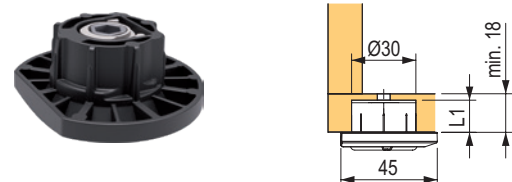
- with pre-assembled fixing screws
- load capacity of each leg - 175 kg
- adjustment from the top on the inside of the cabinet body of wardrobe using a 4/6 mm hex key

## Drilling template for Rekord TECH



code	description
<b>497606</b>	for precise drilling of assembly holes

## Integrato Tech Z

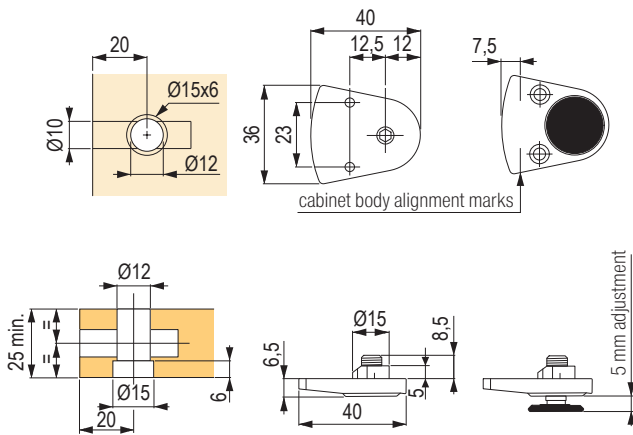


code	Height L1 (mm)	adjustment (mm)
<b>497601</b>	15	+ 10

- load capacity of each leg 175 kg
- adjustment from the top on the inside of the cabinet body of wardrobe using a 4/6 mm hex key

# glides with adjustment

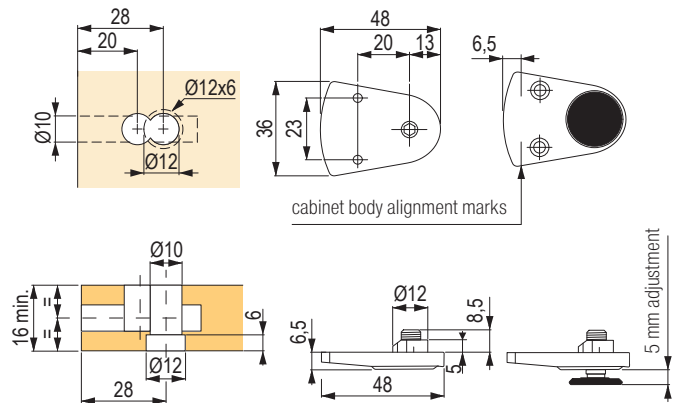
## Leveller Ih7.20



code	description	load capacity (kg)	adjustment (mm)
<b>356969</b>	for Target J12	150	+ 5

- metal body with metal screw and plastic glide
- adjustment from above with a 4 mm hex key
- leg securing with 2 screws with a diameter of 3.5 × 16 mm with countersunk head
- possibility to combine with TARGET J12 model

## Leveller Ih7.28



code	description	load capacity (kg)	adjustment (mm)
<b>402458</b>	for Target J10	150	+ 5

- metal body with metal screw and plastic glide
- adjustment from above with a 4 mm hex key
- leg securing with 2 screws with a diameter of 3.5 × 16 mm with countersunk head
- possibility to combine with TARGET J10 model

## Key-F



code	description	adjustment (mm)
<b>394775</b>	right leg	+ 10
<b>394776</b>	left leg	

### Combination of castor and adjustable leg.

The Key-F is the ideal adjusting leg for furniture that needs to be moved from time to time. Thanks to the castor with a load capacity of 120 kg, simply screw the glide into the leg body and the wardrobe will remain standing on castors. Once the wardrobe is positioned, the glide is screwed back out and the wardrobe is levelled.

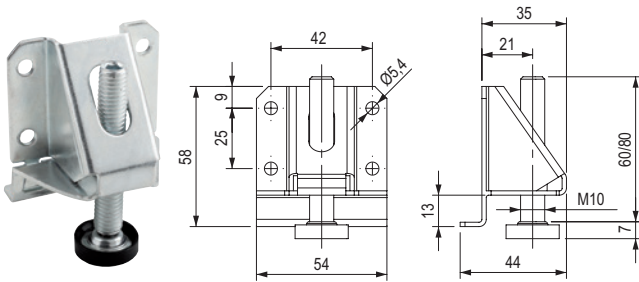


- adjustment from above with a 4 mm hex key
- leg body made of plastic containing fibreglass
- castor load capacity: **120 kg**
- leg load capacity **200 kg**

# adjustable legs, metal



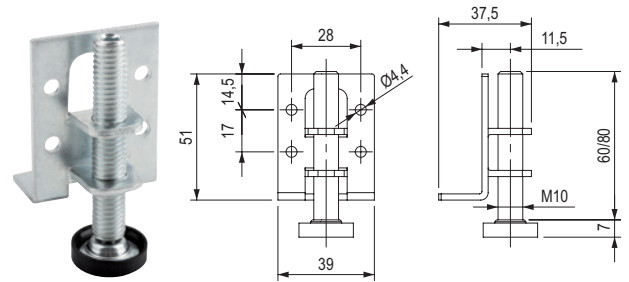
## AS 001



code	load capacity (kg)	height (mm)
<b>405126</b>	200	60
<b>405127</b>		80

- the leg and the screw are supplied separately

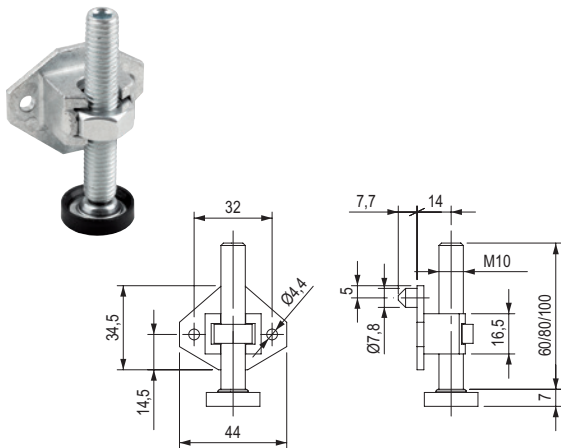
## AS 002



code	load capacity (kg)	height (mm)
<b>405128</b>	200	60
<b>405129</b>		80

- the leg and the screw are supplied separately

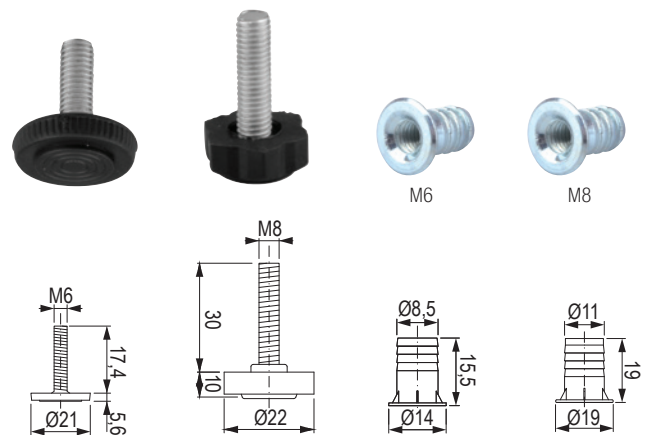
## AS 003



code	load capacity (kg)	height (mm)
<b>405130</b>	250	60
<b>405131</b>		80
<b>405132</b>		100

- the leg and the screw are supplied separately

## Adjusting screw with drive-in nut



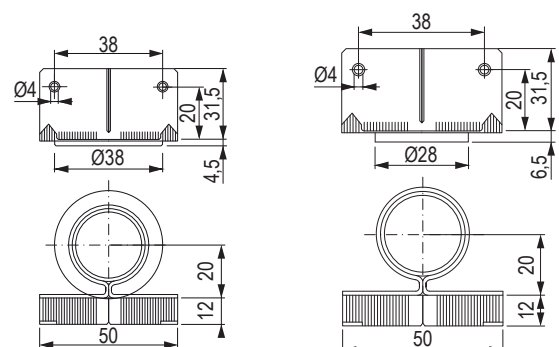
code	description	adjustment (mm)
<b>387398</b>	M6 leg	+ 13
<b>82748</b>	M6 drive-in nut	×
<b>82745</b>	M8 leg	+ 20
<b>15053</b>	M8 drive-in nut	×

## P301a, P30



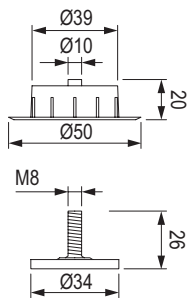
code	load capacity (kg)	adjustment (mm)
<b>226742</b>	150	+ 20
<b>100240</b>	100	

- adjustment only from above with a 6 mm hex key (through cabinet base)
- adjustable only from above by a flat screwdriver (through cabinet base)



# glides with adjustment

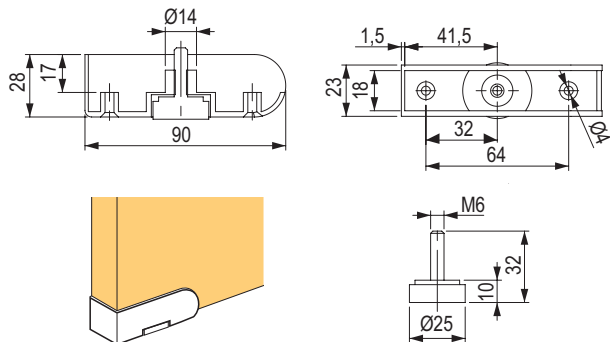
## Drill-in type $\varnothing 50$ mm



code	load capacity (kg)	adjustment (mm)
<b>82751</b>	150	+ 10

- adjustment from above with a hex key

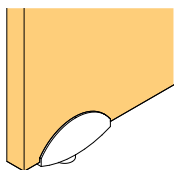
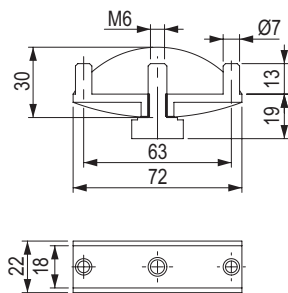
## Corner type for cabinet panel of thickness 18 mm



code	description	load capacity (kg)	adjustment (mm)
<b>501433</b>	M6 adjusting screw for the foot	150	+ 10

- load capacity applies to the foot with screw

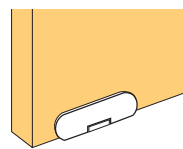
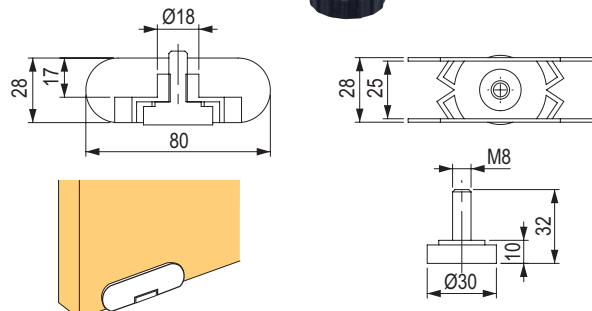
## RS with M6 screw for cabinet panel of thickness 18 mm



code	colour	load capacity (kg)	adjustment (mm)
<b>100241</b>	black	150	+ 15

- for panel thickness 18 mm

## Edge-mount for cabinet panel of thickness 25 mm



code	description	load capacity (kg)	adjustment (mm)
<b>501375</b>	M8 adjusting screw for the foot	150	+ 10

- load capacity applies to the foot with screw
- for panel thickness 25 mm

# glides



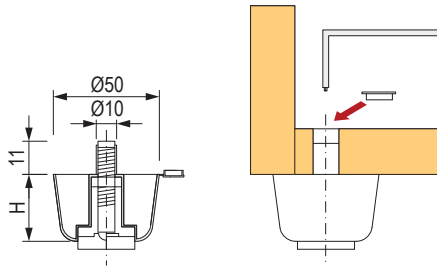
## With adjustment



272212



82744



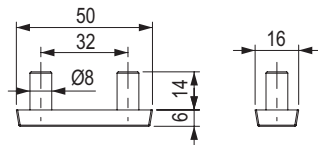
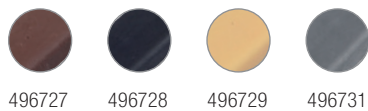
code	height H (mm)	adjustment (mm)	colour	load capacity (kg)
<b>82744</b>	17	+ 11	black	100
<b>82746</b>	27	+ 21		
<b>272214</b>	42	+ 28		
<b>272212</b>	17	+ 11	grey	
<b>272213</b>	27	+ 21		
<b>272215</b>	42	+ 28		

- adjustment from top with a 4 mm hex key

## Drive-in glide 16 × 50 mm



496726



code	colour
<b>496726</b>	white
<b>496727</b>	brown
<b>496728</b>	black
<b>496729</b>	beech
<b>496731</b>	grey

## Screw-on



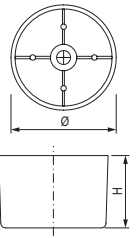
492058



492059



82742



code	Ø (mm)	height H (mm)	colour
<b>492058</b>	50	25	black
<b>492059</b>			white
<b>82742</b>	40	20	grey

## Screw-on



153447



11565



11566



11561



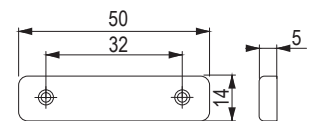
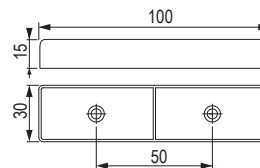
11620



100243



232460



code	colour	
<b>153447</b>	black	30 × 100
<b>11565</b>	white	14 × 50
<b>11566</b>	brown	
<b>11561</b>	black	
<b>11620</b>	beech	
<b>100243</b>	alder	
<b>232460</b>	grey	

## Nail-in glide 16 × 38 mm



11614



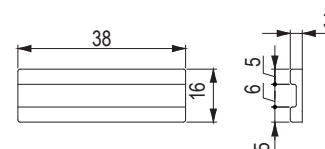
11599



11600



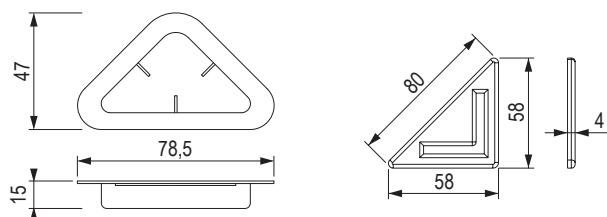
11598



code	colour
<b>11599</b>	white
<b>11600</b>	brown
<b>11598</b>	black
<b>11614</b>	beech

**Nail-in corner**


153448



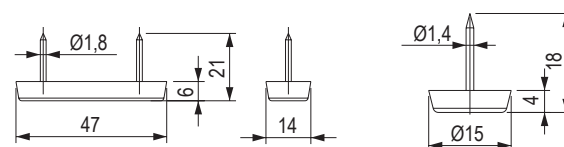
code	colour	height (mm)
<b>153448</b>	black	15
<b>101463</b>	white	4
<b>101461</b>	brown	
<b>101462</b>	black	

**Double nail-in and nail-in**


272220



82743



code	description	colour	height (mm)
<b>272220</b>	double nail-in	neutral	6
<b>82743</b>	nail-in		4

**Glide**


402967



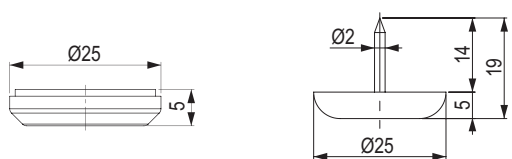
402958



402968



402959



code	description	colour	dimensions (mm)
<b>402967</b>	nail glide with teflon	grey	Ø 17 × 4
<b>402968</b>			Ø 25 × 5
<b>402958</b>	self-adhesive glide with teflon, round		Ø 19 × height 5
<b>402959</b>			Ø 25 × height 5

# glides



## Nail-in with felt



402973



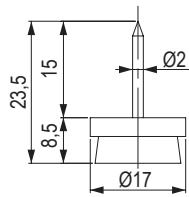
402975



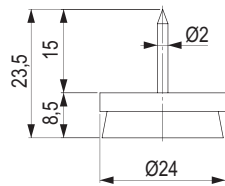
402978



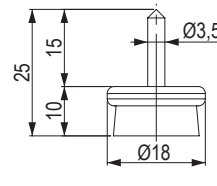
402979



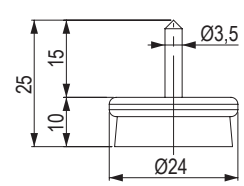
402973



402975



402978



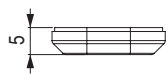
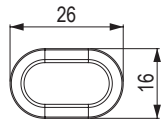
402979

code	dimensions (mm)	colour
<b>402973</b>	ø 17 × height 8.5	brown/grey
<b>402975</b>	ø 24 × height 8.5	
<b>402978</b>	ø 18 × height 10	chrome/grey
<b>402979</b>	ø 24 × height 10	

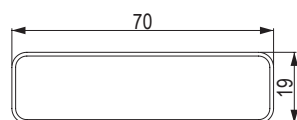
## Self-adhesive glide with teflon, rectangle



402969

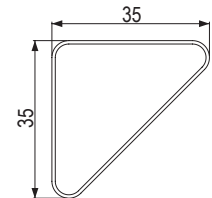


402970



code	dimensions (mm)	colour
<b>402969</b>	16 × 26 × 5	grey
<b>402970</b>	19 × 70 × 5	

## Self-adhesive glide with teflon, corner

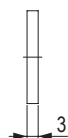
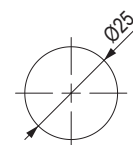


code	dimensions (mm)	colour
<b>402972</b>	35 × 35 × 5	grey

## Leg pad

code	description	dimensions (mm)	colour
<b>402963</b>	self-adhesive felt	ø 25 × 3	grey
<b>402965</b>	self-adhesive pad, anti-slip		black

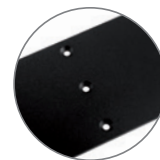
- 402963 sold as a sheet of 32 pcs
- 402965 sold as a sheet of 18 pcs



**Table bases**

type	colour	height x width (mm)	profile (mm)
	black		
convex	<b>467521</b>	710 × 780	20 × 60
concave	<b>467539</b>		20 × 60
linear	<b>467545</b>		30 × 60
X	<b>467542</b>		40 × 80

- recommended tabletop size 800 × 1600 mm
- black RAL 9005
- other colours according to RAL, on request
- the height of the legs cannot be adjusted or tuned to level the legs
- self-adhesive felt glides are included in the delivery
- simple fixing of the tabletop using a countersunk head screw
- screws for connection to the tabletop are not included
- without connecting rods



⚠ not suitable for outdoor use



467521



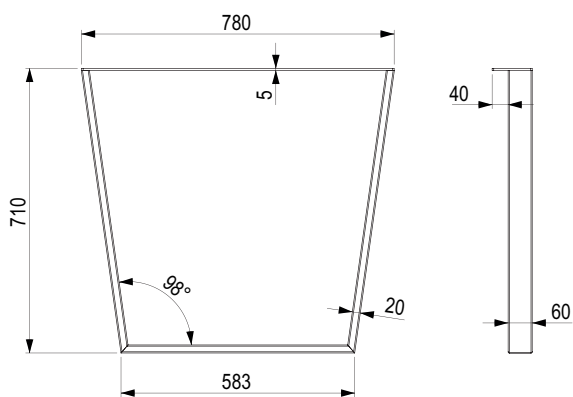
467539



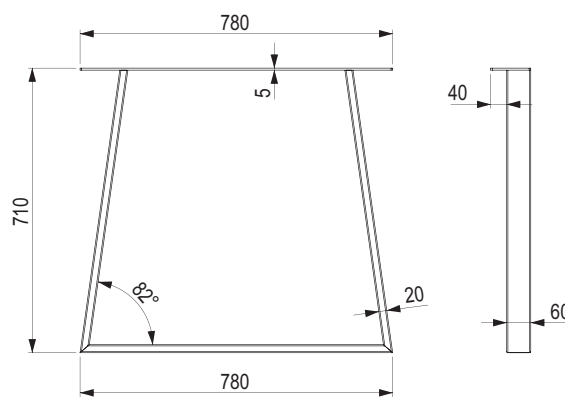
467545



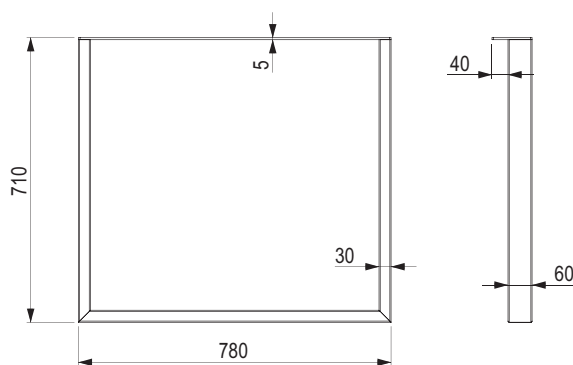
467542



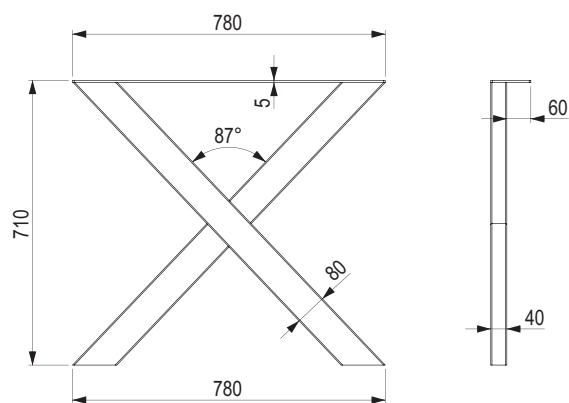
467521/467589



467539/467593



467545/467600



467542/467596

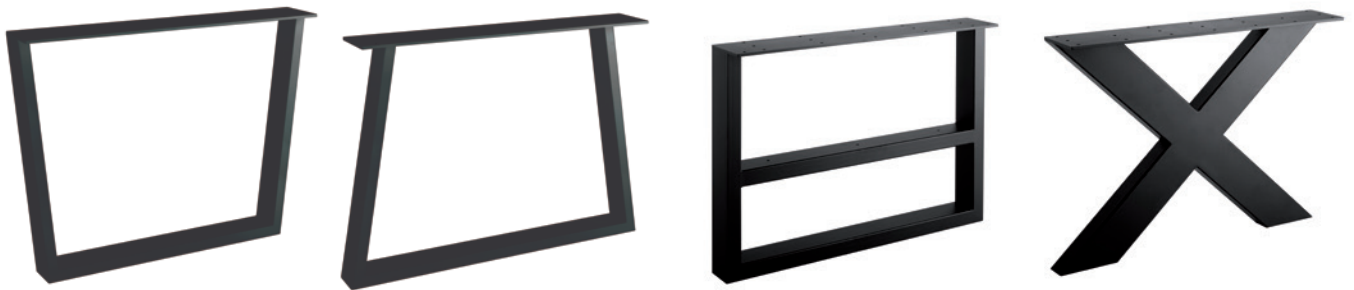
## Coffee table bases

type	colour	height x width (mm)	profile (mm)
	black		
convex	<b>467522</b>	420 × 580	20 × 60
concave	<b>467540</b>		20 × 60
linear	<b>467544</b>		30 × 60
X	<b>467543</b>		40 × 80

- recommended tabletop size 600 × 1200 mm
- black RAL 9005
- other colours according to RAL, on request
- the height of the legs cannot be adjusted or tuned to level the legs
- self-adhesive felt glides are included in the delivery
- simple tabletop fixing using a countersunk screw
- screws for connection to the tabletop are not included
- without connecting rods



**📌 suitable for outdoor use**

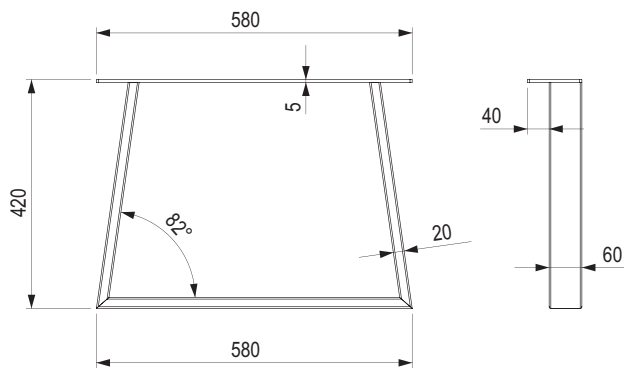


467522

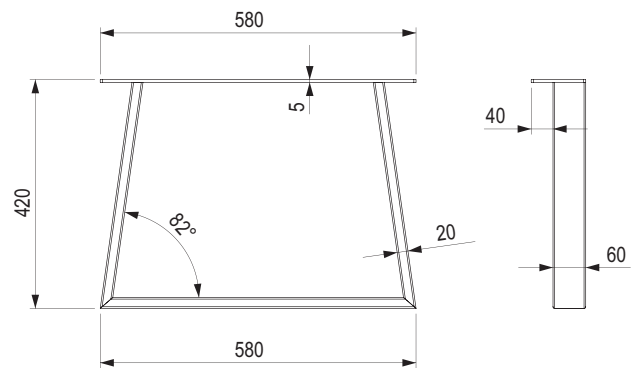
467540

467544

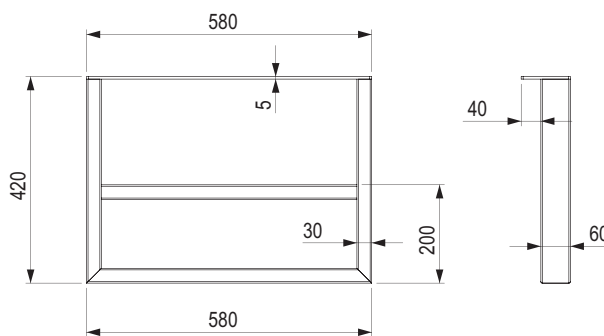
467543



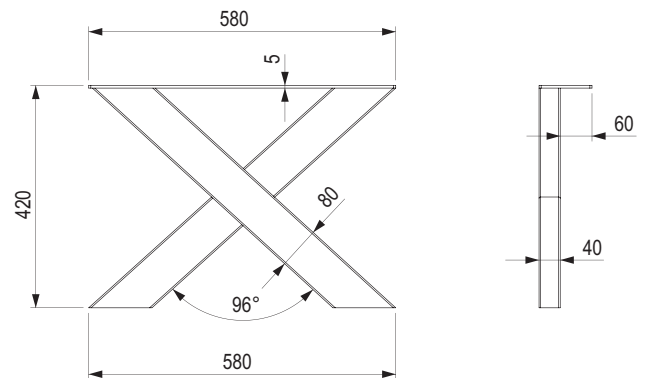
467522/467592



467540/467594

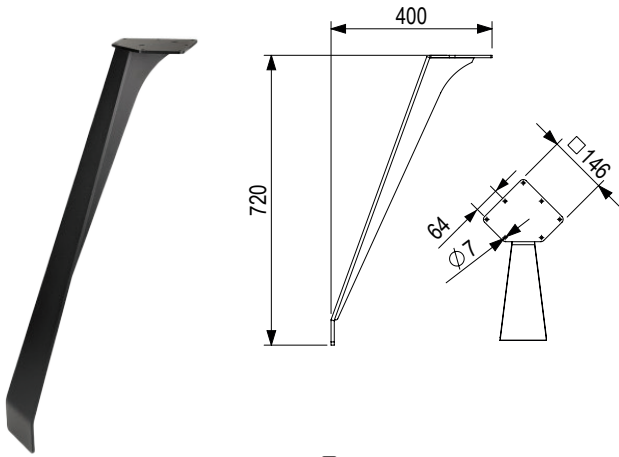


467544/467599



467543/467598

ETÉRO 720

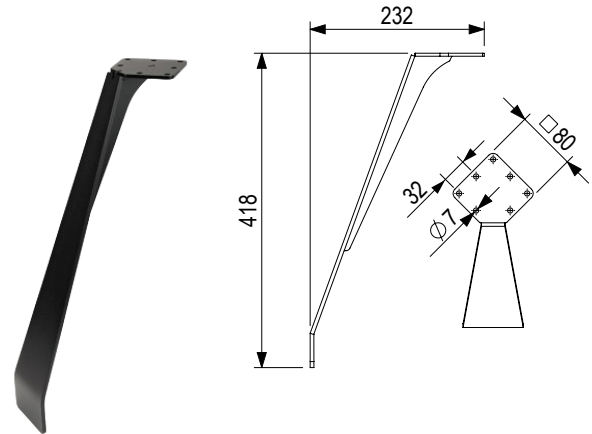


matching furniture legs can be found on p. 08.21

code	name	colour	height (mm)	adjustment (mm)
402988	N72110	black semi-matt	720	without adjustment

• material: steel

ETÉRO 418

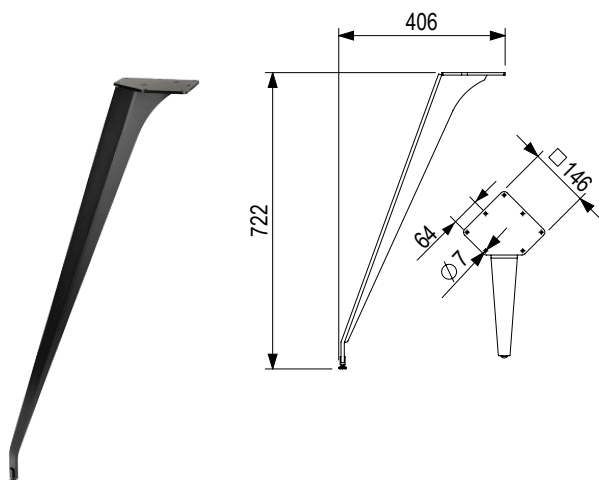


matching furniture legs can be found on p. 08.21

code	name	colour	height (mm)	adjustment (mm)
402992	N42080	black semi-matt	418	without adjustment

• material: steel

ETÉRO 722

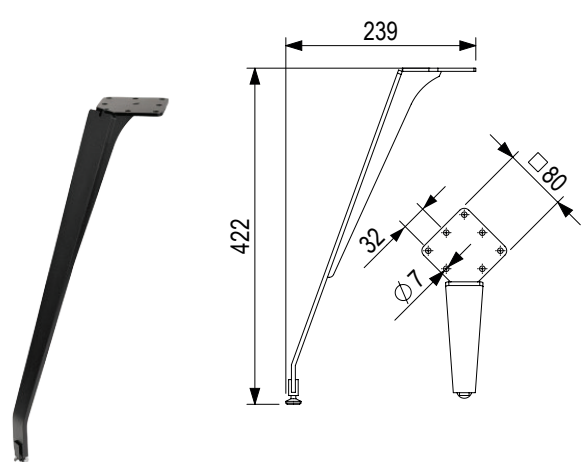


matching furniture legs can be found on p. 08.21

code	name	colour	height (mm)	adjustment (mm)
402996	N72026	black semi-matt	722	+ 10

• material: steel

ETÉRO 422



matching furniture legs can be found on p. 08.21

code	name	colour	height (mm)	adjustment (mm)
403001	N42026	black semi-matt	422	+ 10

• material: steel

## EX edge 720



code	name	colour	dimensions (mm)	height (mm)	adjustment (mm)
<b>403012</b>	EX 72080	black semi-matt	709 × 377	720	without adjustment

- sold per pieces, 2 pcs needed for table
- for a maximum tabletop size of 2 000 × 1 000 mm
- material: steel

## EX centre 720



code	name	colour	central leg for tables bigger than	height (mm)	adjustment (mm)
<b>403018</b>	EX 72080P	black semi-matt	2000 × 2000 mm	720	without adjustment

- sold per pieces, 2 pcs needed for table
- ☑ matching central legs can be found on p. 9.XX
- for tabletop size larger than 2 000 × 1 000 mm
- material: steel

9.XX

## EX edge 420



code	name	colour	dimensions (mm)	height (mm)	adjustment (mm)
<b>403023</b>	EX 42050	black semi-matt	428 × 235	422	without adjustment

- sold per pieces, 2 pcs needed for table
- bases suitable for coffee table
- material: steel



# steel table legs (TS) / aluminium (TA)

## TS004

code	colour	height (mm)	adjustment (mm)
547378	silver polished	710	+ 25
547379		820	
547380	white matt	710	
547381		820	
547382	chrome	710	
547383		820	
547384		1 100	
547385	stainless steel imitation	710	
547386		820	
547387		1 100	
547388	satin chrome matt	710	
547389	satin nickel matt	710	
547376	black matt	710	
547377		820	



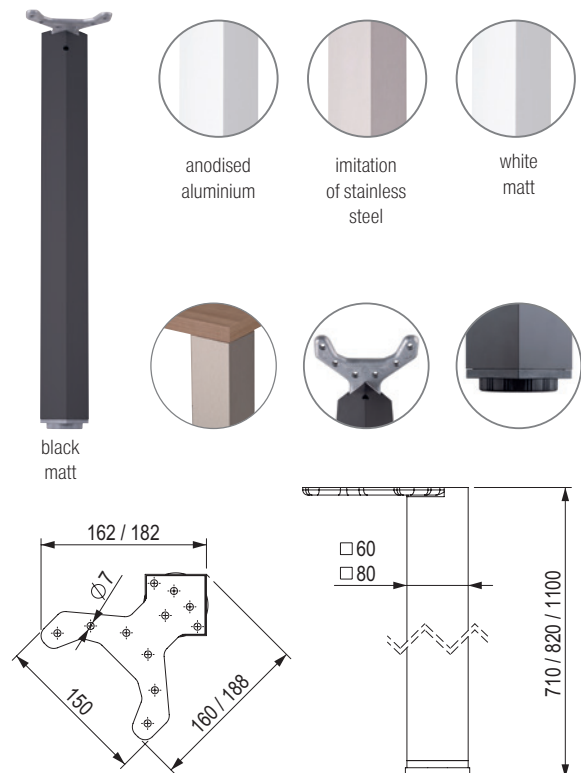
- these table legs offer a very strong connection to the tabletop and high stability
- table legs are supplied including flange and adjusting screw
- table leg material: steel

**Spare parts for table legs:**

- 547392 - bottom adjusting screw
- 547393 - top flange

## TA 001

code	profile (mm)	colour	height (mm)	adjustment (mm)
284577	60 × 60	anodised aluminium	710	+ 30
284578			820	
284579			1100	
284580	60 × 60	stainless steel imitation	710	
284581			820	
284582			1100	
549089	60 × 60	black matt	710	
549090			820	
549091			710	
310043	80 × 80	anodised aluminium	710	
310045		stainless steel imitation	710	
549092		black matt	710	
549093	white matt	710		

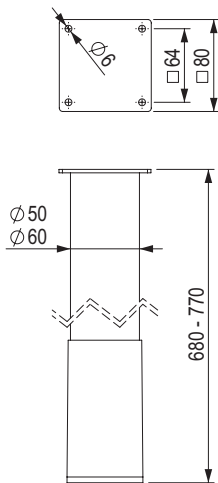
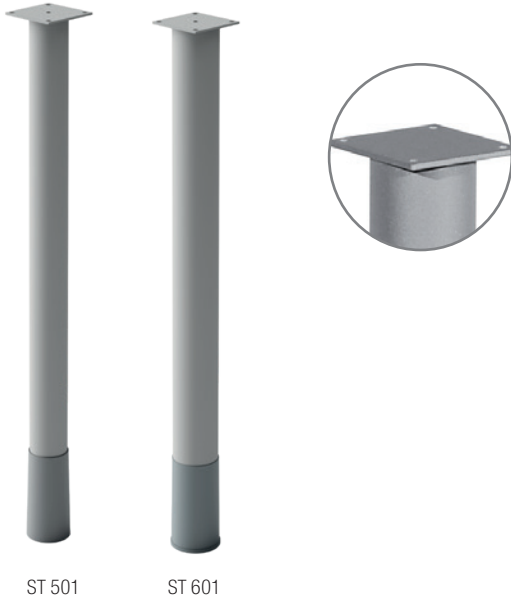


- concealed flange allows you to place the leg directly in the corner of the tabletop
- table leg material: aluminium

# table legs – metal



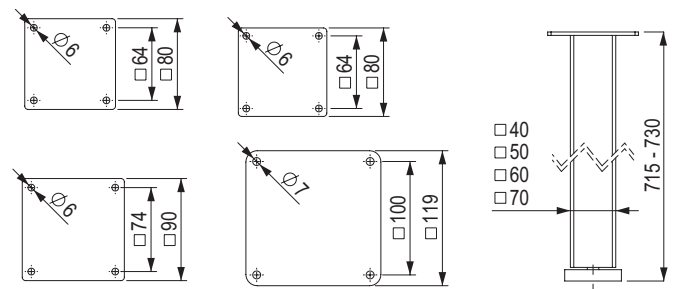
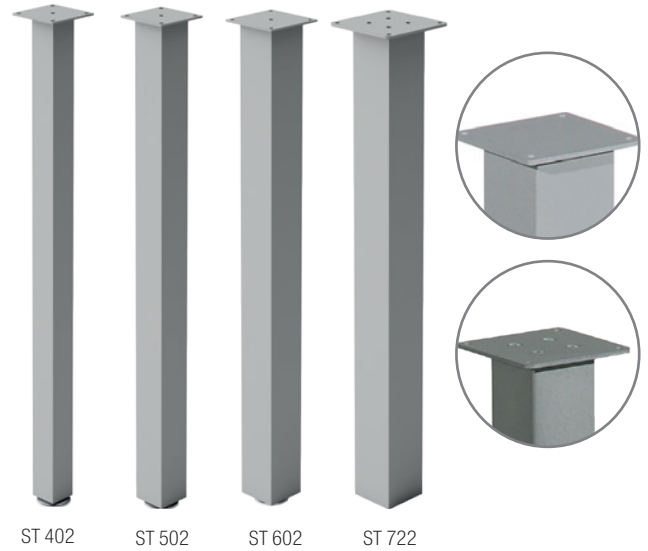
## ST501 and ST601 made of steel profile



code	profile (mm)	colour	height (mm)	adjustment (mm)
<b>217707</b>	ø 60 (ST601)	silver semi-matt	680	+ 90
<b>219838</b>		white semi-matt		
<b>219332</b>		black semi-matt		
<b>218839</b>		anthracite semi-matt		

• very strong steel leg design, the welded flange ensures overall stability of the construction

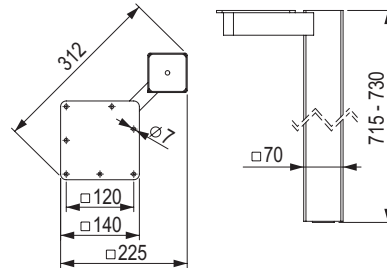
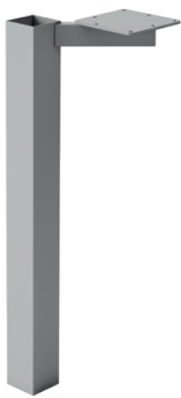
## ST402, ST502, ST602 a ST722 made of steel profile



code	profile (mm)	colour	height (mm)	adjustment (mm)
<b>217700</b>	40 × 40 (ST402)	silver semi-matt	715	+ 15
<b>219831</b>		white semi-matt		
<b>219325</b>		black semi-matt		
<b>218832</b>		anthracite semi-matt		
<b>217704</b>	50 × 50 (ST502)	silver semi-matt		
<b>219835</b>		white semi-matt		
<b>219329</b>		black semi-matt		
<b>218836</b>		anthracite semi-matt		
<b>217709</b>	60 × 60 (ST602)	silver semi-matt		
<b>219840</b>		white semi-matt		
<b>219334</b>		black semi-matt		
<b>218842</b>		anthracite semi-matt		
<b>217714</b>	70 × 70 (ST722)	silver semi-matt		
<b>219845</b>		white semi-matt		
<b>219339</b>		black semi-matt		
<b>218847</b>		anthracite semi-matt		

• very strong steel leg design, the welded flange ensures overall stability of the construction

ST702 made of steel profile



ST 702

code	profile (mm)	colour	height (mm)	adjustment (mm)
<b>217712</b>	70 × 70	silver semi-matt	715	+ 15
<b>219843</b>		white semi-matt		
<b>219337</b>		black semi-matt		
<b>218845</b>		anthracite semi-matt		

- very strong steel leg design, the welded flange ensures overall stability of the construction
- hidden attachment allows for placing the leg directly on the edge of the tabletop

Folding table leg

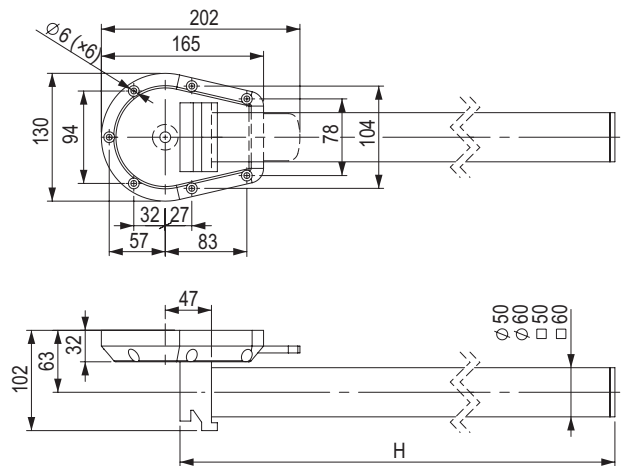


ST 507 U

ST 607 U

ST 506 U

ST 606 U



code	name	profile (mm)	colour	height (mm)	adjustment (mm)
<b>399837</b>	ST 507 U	∅ 50	silver semi-matt	710	+ 160
<b>399853</b>	ST 607 U	∅ 60		710	+ 120
<b>399845</b>	ST 506 U	50 × 50		745	+ 15
<b>399861</b>	ST 606 U	60 × 60		745	+ 15

- also available in black, white and anthracite



## Steel legs for table constructions for assembly

ST561 -  $\varnothing$  60ST547 -  $\varnothing$  40ST557 -  $\varnothing$  50

ST542 - 40 × 40



ST552 - 50 × 50



ST562 - 60 × 60



ST544 - 40 × 40



ST554 - 50 × 50

name	leg (mm)	height (mm)	colour				adjustment (mm)
			silver	anthracite	black	white	
ST561	$\varnothing$ 60	680	<b>217985</b>	<b>219105</b>	<b>219609</b>	<b>220115</b>	90
ST547	$\varnothing$ 40	680	<b>217975</b>	<b>219095</b>	<b>219599</b>	<b>220105</b>	150
ST557	$\varnothing$ 50	680	<b>217981</b>	<b>219101</b>	<b>219605</b>	<b>220111</b>	160
ST542	40 × 40	715	<b>217976</b>	<b>219096</b>	<b>219600</b>	<b>220106</b>	15
ST552	50 × 50	715	<b>217982</b>	<b>219102</b>	<b>219606</b>	<b>220112</b>	15
ST562	60 × 60	715	<b>217987</b>	<b>219107</b>	<b>219611</b>	<b>220117</b>	15
ST544	40 × 40	680	<b>217977</b>	<b>219097</b>	<b>219601</b>	<b>220107</b>	150
ST554	50 × 50	680	<b>217983</b>	<b>219103</b>	<b>219607</b>	<b>220113</b>	160



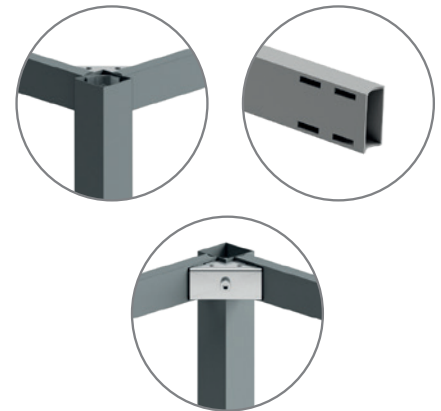
- strong and stable design of the whole construction

## Steel connecting rods

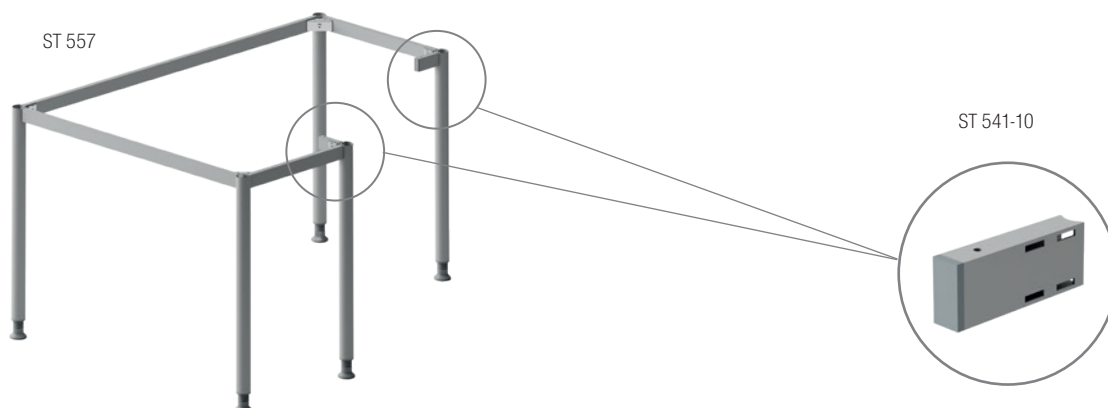
- the connecting rod length is always 140 mm shorter than the indicated table length
- length of the construction = length of the rod + 2 × dimensions of the leg profile (for example: for the table length 1100 mm with a 40 × 40 mm profile, the total length of the construction is 960 + 2 × 40 = 1040 mm)
- rod profile 20 × 40 mm



table dimensions (mm)	name	colour			
		silver	anthracite	black	white
600	ST541 - 46	<b>217993</b>	<b>219113</b>	<b>219617</b>	<b>220123</b>
700	ST541 - 56	<b>217994</b>	<b>219114</b>	<b>219618</b>	<b>220124</b>
800	ST541 - 66	<b>217995</b>	<b>219115</b>	<b>219619</b>	<b>220125</b>
900	ST541 - 76	<b>217996</b>	<b>219116</b>	<b>219620</b>	<b>220126</b>
1000	ST541 - 86	<b>217997</b>	<b>219117</b>	<b>219621</b>	<b>220127</b>
1100	ST541 - 96	<b>217998</b>	<b>219118</b>	<b>219622</b>	<b>220128</b>
1200	ST541 - 106	<b>217999</b>	<b>219119</b>	<b>219623</b>	<b>220129</b>
1300	ST541 - 116	<b>218000</b>	<b>219120</b>	<b>219624</b>	<b>220130</b>
1400	ST541 - 126	<b>218001</b>	<b>219121</b>	<b>219625</b>	<b>220131</b>
1500	ST541 - 136	<b>218002</b>	<b>219122</b>	<b>219626</b>	<b>220132</b>
1600	ST541 - 146	<b>218003</b>	<b>219123</b>	<b>219627</b>	<b>220133</b>
1700	ST541 - 156	<b>218004</b>	<b>219124</b>	<b>219628</b>	<b>220134</b>
1800	ST541 - 166	<b>218005</b>	<b>219125</b>	<b>219629</b>	<b>220135</b>
1900	ST541 - 176	<b>218006</b>	<b>219126</b>	<b>219630</b>	<b>220136</b>
2000	ST541 - 186	<b>218007</b>	<b>219127</b>	<b>219631</b>	<b>220137</b>



## Steel support



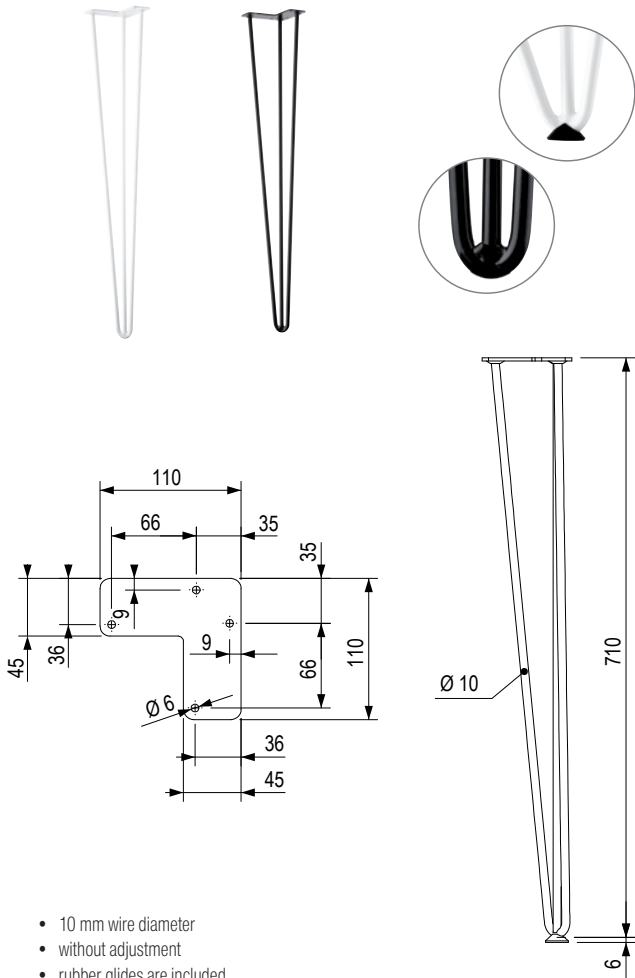
length (mm)	name	colour			
		silver	anthracite	black	white
105	ST541 - 10	<b>217990</b>	<b>219110</b>	<b>219614</b>	<b>220120</b>

- ensures stability for bases without a frame element or channel
- support profile 20 × 40 mm

# StrongLegs – table and furniture legs – metal (TS and FS)



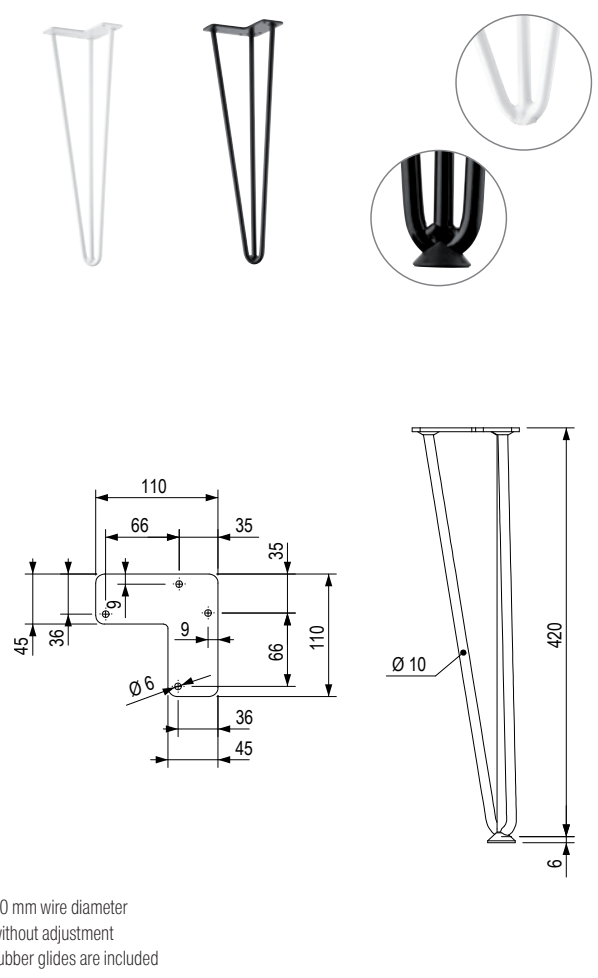
## TS 003 – 710



- 10 mm wire diameter
- without adjustment
- rubber glides are included

code	colour	height (mm)
<b>455855</b>	white polished	710
<b>318052</b>	black matt	

## TS 003 – 420



- 10 mm wire diameter
- without adjustment
- rubber glides are included

code	colour	height (mm)
<b>455853</b>	white polished	420
<b>318051</b>	black matt	

## FS 004



- rubber glides are included
- 10 mm wire diameter

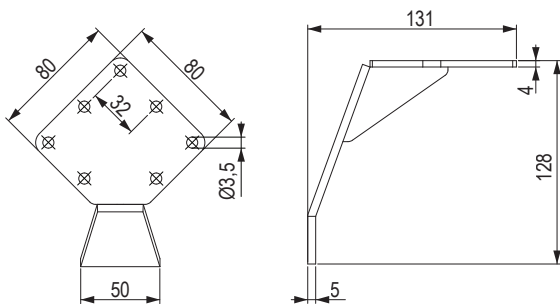
- without adjustment

code	colour	height (mm)
<b>455856</b>	white polished	175
<b>318050</b>	black matt	

**ETÉRO 128 mm**



☑ matching furniture legs can be found on p. 08.11



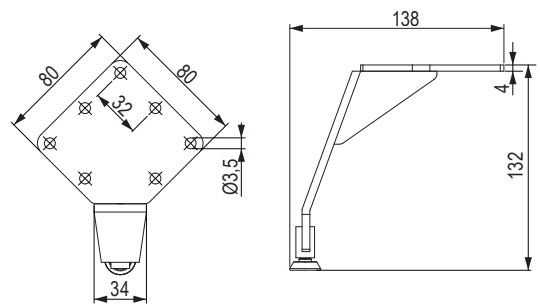
code	name	colour	height (mm)	adjustment (mm)
<b>406849</b>	N13050	black semi-matt	128	without adjustment

- unified design for furniture, coffee table and desk

**ETÉRO 132 mm**



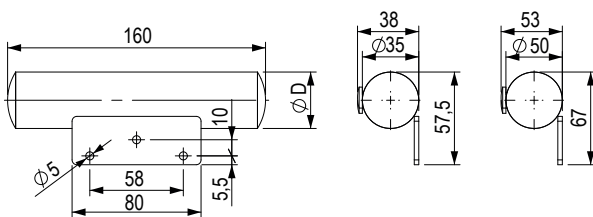
☑ matching furniture legs can be found on p. 08.11



code	name	colour	height (mm)	adjustment (mm)
<b>406855</b>	N13026	black semi-matt	132	+ 10

- unified design for furniture, coffee table and desk

**FS 007**

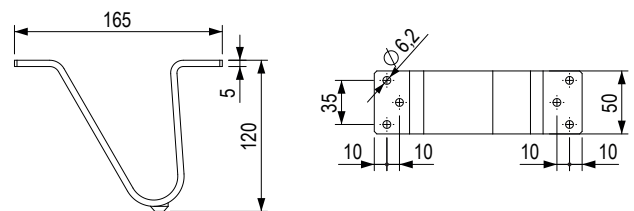


code	colour	length (mm)	ø D (mm)
<b>358317</b>	polished chrome	160	35
<b>358325</b>			50

12345 Item in stock

12345 Item on demand

**FS 008**

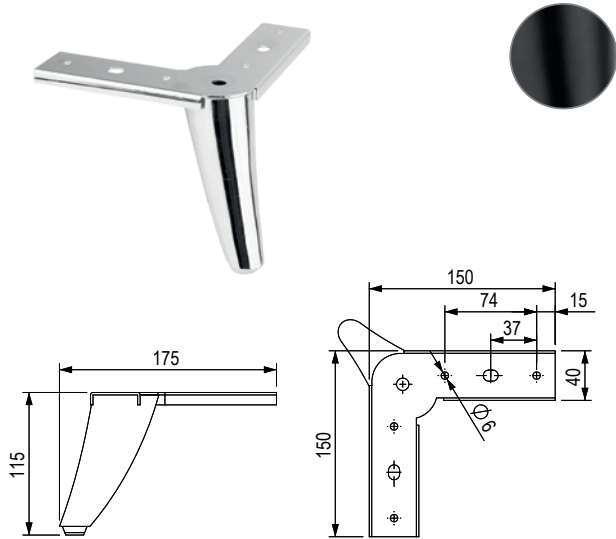


code	colour	height (mm)
<b>358333</b>	polished chrome	120
<b>492888</b>	black matt	

# StrongLegs – furniture legs – metal (FS)

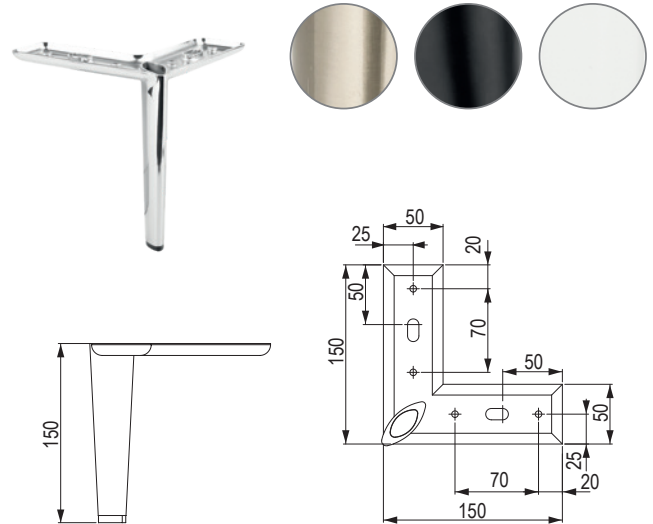


## FS 009



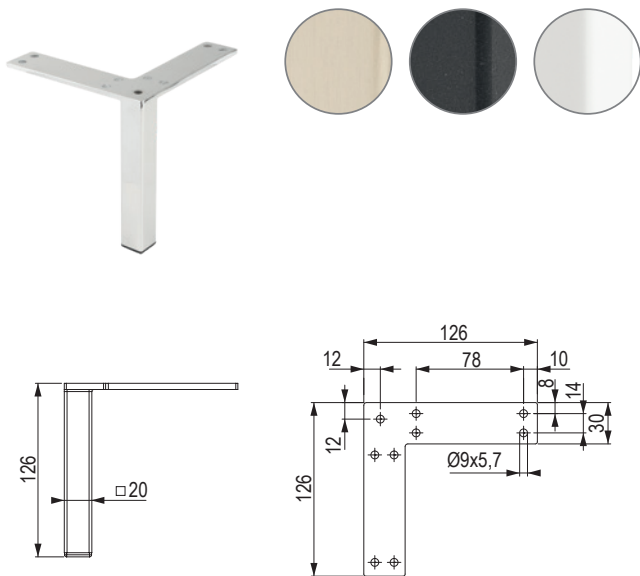
code	colour	height (mm)
<b>358334</b>	polished chrome	115
<b>492889</b>	black matt	

## FS 006



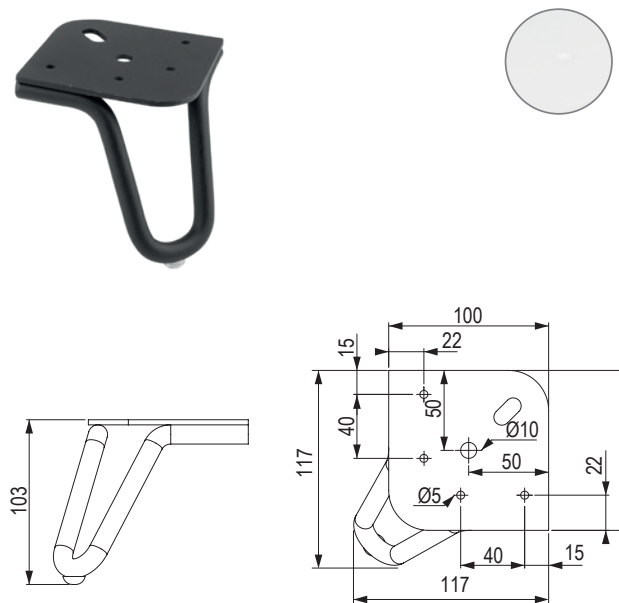
code	colour	height (mm)
<b>401678</b>	polished chrome	150
<b>401679</b>	matt nickel	
<b>401680</b>	black matt	
<b>492890</b>	white matt	

## FS 013



code	colour	height (mm)
<b>401681</b>	polished chrome	126
<b>401682</b>	matt nickel	
<b>401683</b>	black matt	
<b>492891</b>	white matt	

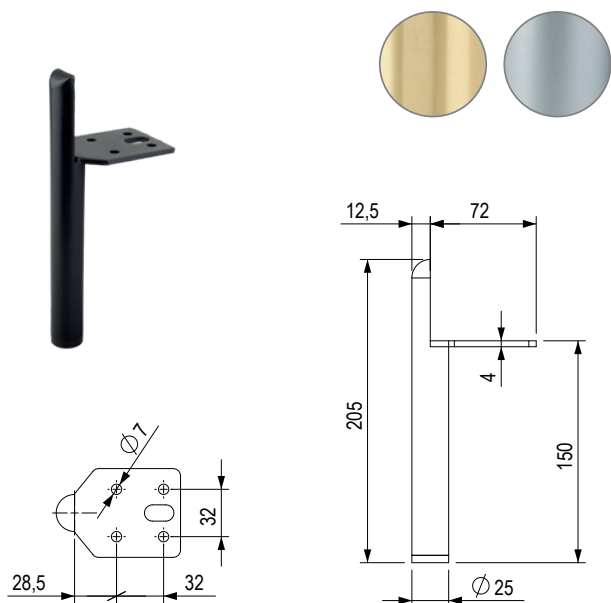
## FS 005



code	colour	height (mm)
<b>401677</b>	black matt	103
<b>492892</b>	white matt	

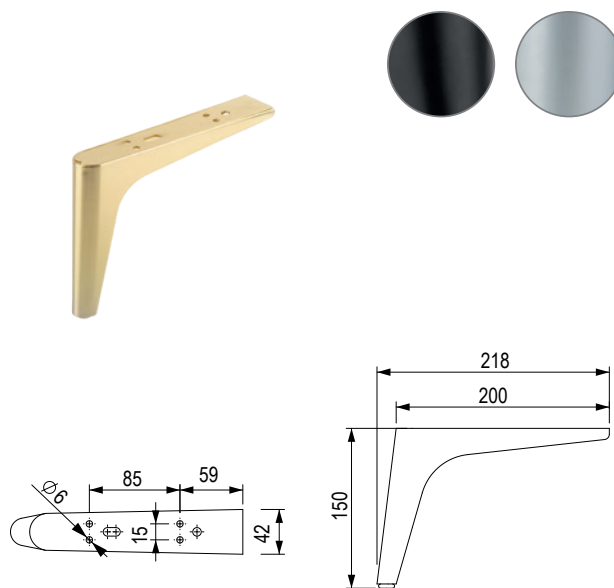
# furniture legs – metal (FS)

## FS 018



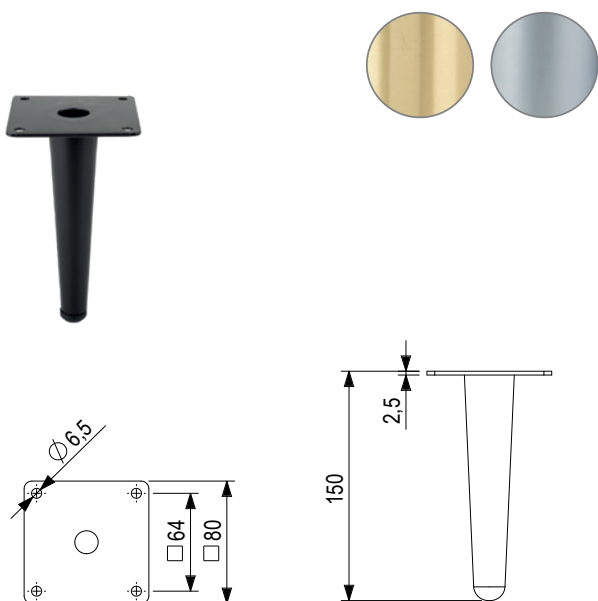
code	colour	height (mm)
<b>497342</b>	black matt	150
<b>497343</b>	brushed gold	
<b>497344</b>	matt chrome	

## FS 019



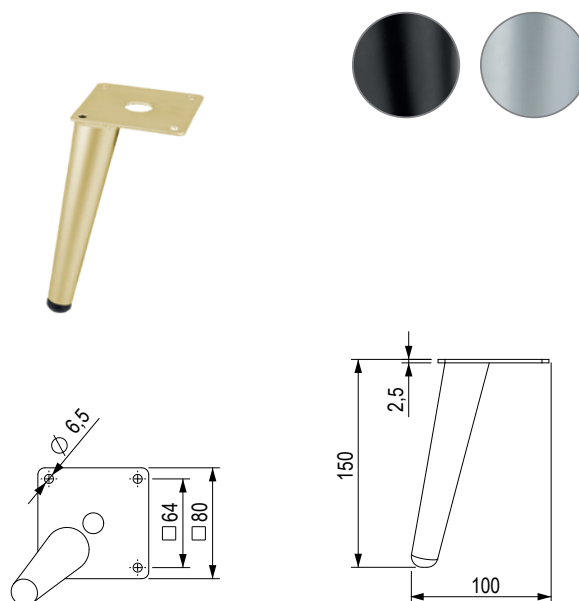
code	colour	height (mm)
<b>497345</b>	black matt	150
<b>497346</b>	brushed gold	
<b>497347</b>	matt chrome	

## FS 020



code	colour	height (mm)
<b>497348</b>	black matt	150
<b>497349</b>	brushed gold	
<b>497350</b>	matt chrome	

## FS 021



code	colour	height (mm)
<b>497351</b>	black matt	150
<b>497352</b>	brushed gold	
<b>497353</b>	matt chrome	

# furniture legs – metal (FS)

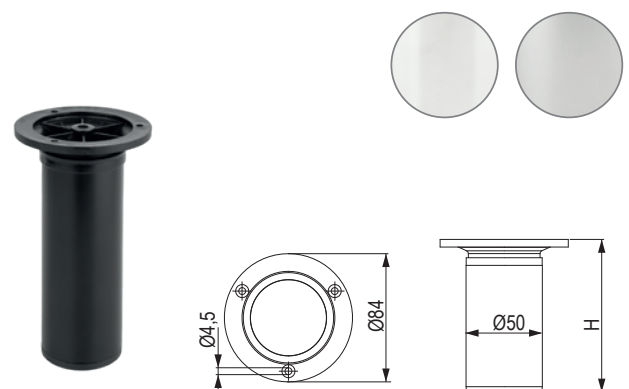
## FS 001

code	colour	height H (mm)	adjustment (mm)
154288	stainless steel imitation	80	+ 7
154289		100	
154290		120	
154291		150	
154292		200	
154293	polished chrome	80	
154294		100	
154295		120	
154296		150	
154297	200		
400492	black matt	80	
400493		100	
400494		120	
400495		150	
400496		200	
492830	white polished	80	
492831		100	
492874		120	
492875		150	
492876		200	
492877	brushed gold	80	
492878		100	
492879		120	
492880		150	
492881		200	
492882	matt chrome	80	
492883		100	
492884		120	
492885		150	
492886		200	



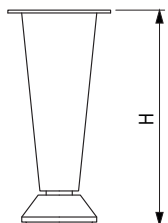
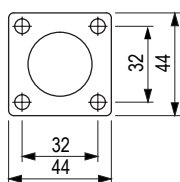
## FS 017

code	colour	height H (mm)	adjustment (mm)
358307	polished chrome	100	+ 25
358308		150	
358309	matt chrome	100	
358310		150	
492898	black matt	100	
492899		150	



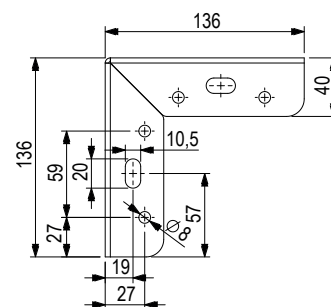
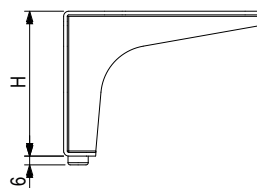
# furniture legs – metal (FS)

## FS 002



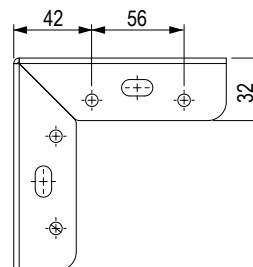
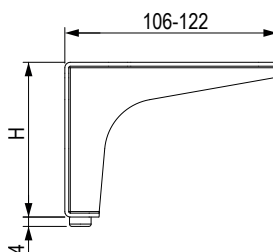
code	colour	height H (mm)	adjustment (mm)
<b>400498</b>	polished chrome	50	+ 7
<b>154301</b>		80	
<b>400499</b>	matt chrome	50	
<b>154302</b>		80	
<b>537486</b>	black matt	50	
<b>537487</b>		80	

## FS 003



code	colour	height H (mm)
<b>401523</b>	polished chrome	100
<b>154307</b>		130
<b>401524</b>	black matt	100
<b>401525</b>		130
<b>492901</b>	stainless steel imitation	100
<b>492902</b>		130

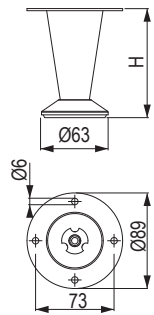
## FS 022



code	colour	height H (mm)
<b>547394</b>	polished nickel	100
<b>547396</b>		130
<b>547340</b>		150
<b>547395</b>	black matt	100
<b>547397</b>		130
<b>547391</b>		150

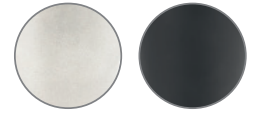
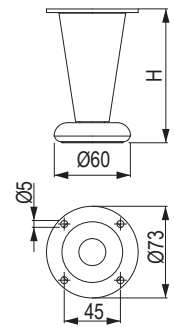
# furniture legs – metal (FS)

## FS 010



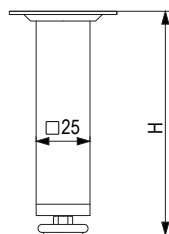
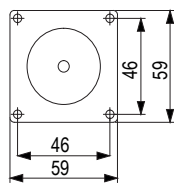
code	colour	height H (mm)
<b>358345</b>	antique brass	102
<b>492887</b>	black matt	

## FS 016



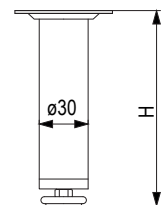
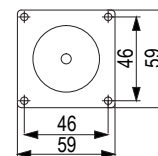
code	colour	height H (mm)	adjustment (mm)
<b>358304</b>	polished chrome	100	+ 15
<b>358305</b>	matt chrome		
<b>492900</b>	black matt		

## FS 015



code	colour	height H (mm)	adjustment (mm)
<b>358300</b>	polished chrome	100	+ 7
<b>358301</b>		150	
<b>358302</b>	matt chrome	100	
<b>358303</b>		150	
<b>401541</b>	black matt	100	
<b>401542</b>		150	

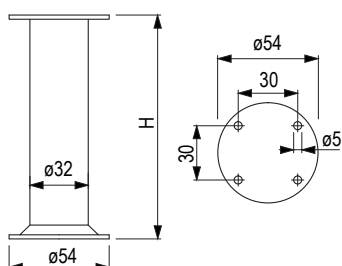
## FS 014



code	colour	height H (mm)	adjustment (mm)
<b>91220</b>	polished chrome	100	+ 13
<b>91221</b>		150	
<b>91222</b>	matt chrome	100	
<b>91223</b>		150	
<b>401537</b>	black matt	100	
<b>401538</b>		150	

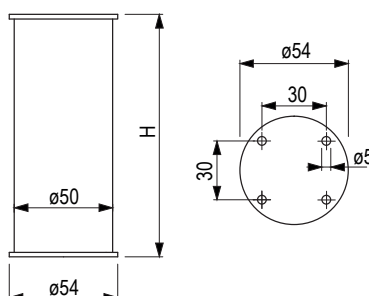
# StrongLegs – furniture legs – aluminium (FA)

## FA 007



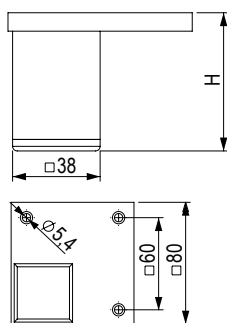
code	colour	height H (mm)	adjustment (mm)
<b>82825</b>	matt chrome / polished chrome	100	+ 10
<b>82824</b>		150	

## FA 008



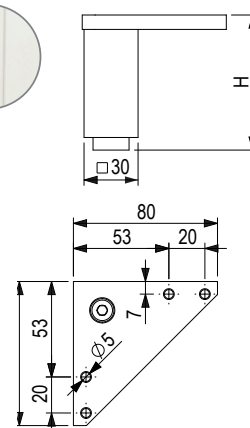
code	colour	height H (mm)	adjustment (mm)
<b>82827</b>	matt chrome	100	+ 7
<b>82826</b>		150	

## FA 006



code	colour	height H (mm)
<b>37802</b>	matt chrome	100
<b>37803</b>		120
<b>403771</b>		150
<b>403773</b>		200
<b>401546</b>		black matt
<b>401547</b>	100	
<b>401548</b>	120	

## FA 002



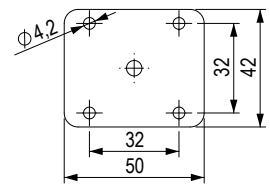
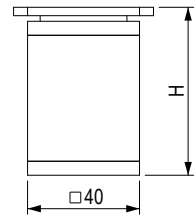
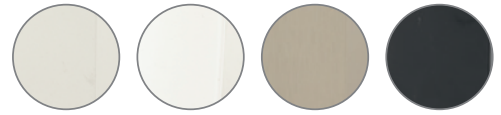
code	colour	height H (mm)	adjustment (mm)
<b>37702</b>	matt chrome	75	+ 15
<b>37703</b>		100	
<b>492907</b>		120	
<b>492908</b>		150	
<b>492909</b>		black matt	
<b>492910</b>	100		
<b>492911</b>	120		
<b>492912</b>	150		

# StrongLegs – furniture legs – aluminium (FA)

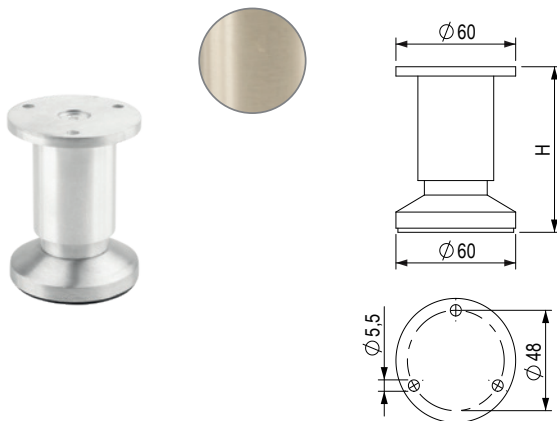


## FA 009

code	colour	height H (mm)	adjustment (mm)
<b>87007</b>	matt chrome	60	+ 15
<b>87008</b>		100	
<b>87009</b>		150	
<b>153280</b>	polished chrome	60	
<b>153281</b>		100	
<b>153282</b>		150	
<b>86370</b>	stainless steel imitation with black plastic	60	
<b>86371</b>		100	
<b>86372</b>		150	
<b>153297</b>	light stainless steel imitation with grey plastic	60	
<b>153298</b>		100	
<b>153299</b>		150	
<b>153300</b>	black matt	60	
<b>153301</b>		100	
<b>153302</b>		150	

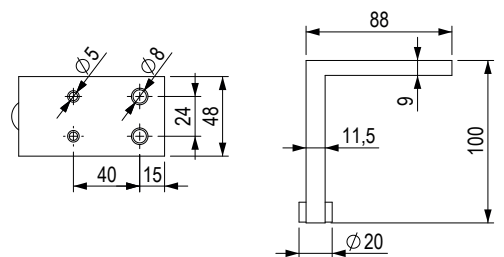


## FA 005



code	colour	height H (mm)	adjustment (mm)
<b>313864</b>	brushed aluminium	80	+ 10
<b>313863</b>		100	
<b>313862</b>		120	
<b>313867</b>	stainless steel imitation	80	
<b>313866</b>		100	
<b>313865</b>		120	

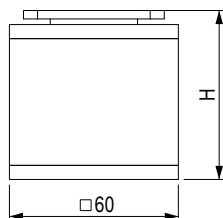
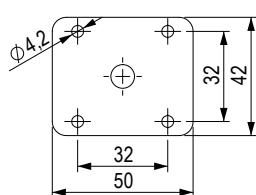
## FA 001



code	colour	height (mm)	adjustment (mm)
<b>37701</b>	matt chrome	100	+ 10
<b>492913</b>	black matt		

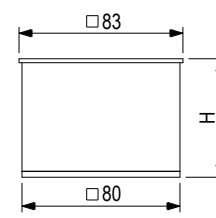
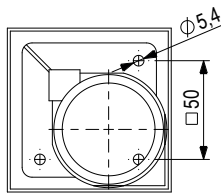
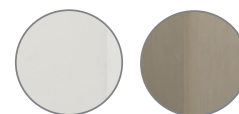
# StrongLegs – furniture legs – aluminium (FA)

## FA 012



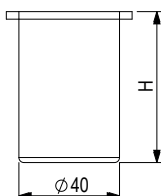
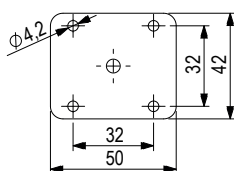
code	colour	height H (mm)	adjustment (mm)
<b>87016</b>	matt chrome	60	+ 15
<b>87017</b>		100	
<b>87018</b>		150	
<b>153306</b>	light stainless steel imitation	60	
<b>153307</b>		100	
<b>153308</b>		150	
<b>465222</b>	black matt	60	
<b>465220</b>		100	
<b>465221</b>		150	

## FA 013



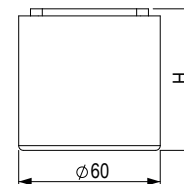
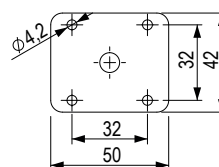
code	colour	height H (mm)
<b>199587</b>	matt chrome	35
<b>87063</b>		60
<b>87064</b>		100
<b>199585</b>	light stainless steel imitation	35
<b>153311</b>		60
<b>153312</b>		100
<b>465223</b>	black matt	35
<b>465224</b>		60
<b>465225</b>		100

## FA 010



code	colour	height H (mm)	adjustment (mm)
<b>87010</b>	matt chrome	60	+ 15
<b>87011</b>		100	
<b>465226</b>	black matt	60	
<b>465227</b>		100	

## FA 011



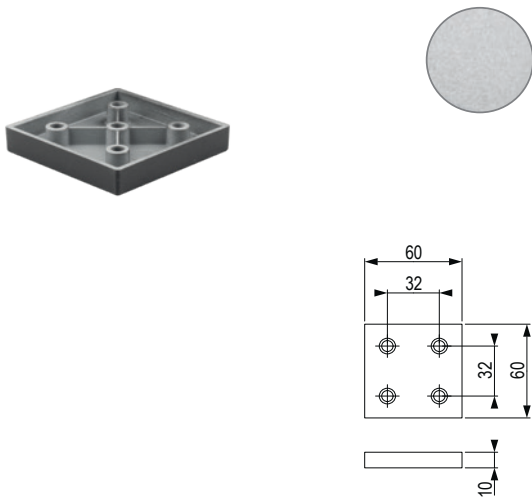
code	colour	height H (mm)	adjustment (mm)
<b>87013</b>	matt chrome	60	+ 15
<b>87014</b>		100	
<b>465229</b>	black matt	60	
<b>465230</b>		100	

**FA 004**



code	colour	height H (mm)	adjustment (mm)
<b>37804</b>	matt chrome	80	+ 10
<b>37805</b>		100	
<b>37806</b>		120	
<b>37807</b>		150	
<b>37808</b>	polished chrome	80	
<b>37809</b>		100	
<b>37810</b>		120	
<b>37811</b>		150	
<b>492903</b>	black matt	80	
<b>492904</b>		100	
<b>492905</b>		120	
<b>492906</b>		150	

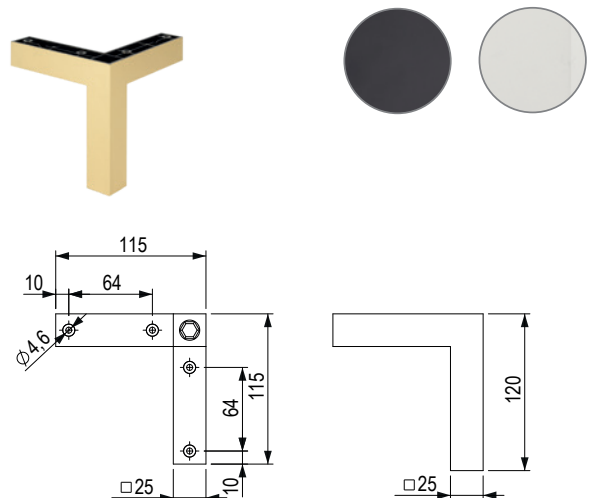
**FP 006**



code	colour	height (mm)
<b>285153</b>	grey RAL 9006	10
<b>496934</b>	black matt	

• load capacity according to CATAS test laboratory – 300 kg

**FP 009**

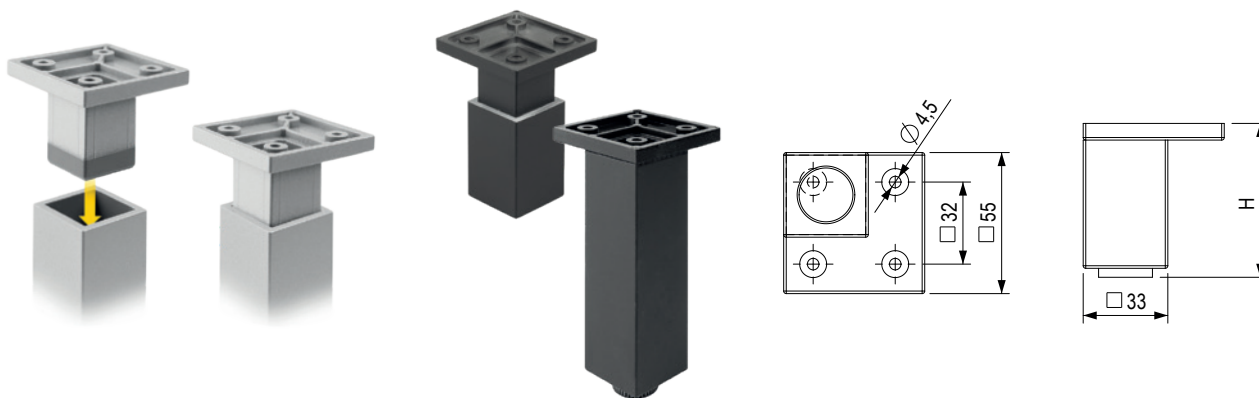


code	colour	height (mm)	adjustment (mm)
<b>401504</b>	black matt	120	+ 7
<b>496926</b>	white matt		
<b>496925</b>	matt gold		

• load capacity according to CATAS test laboratory – 150 kg

# StrongLegs – furniture legs – plastic (FP)

## FP 003



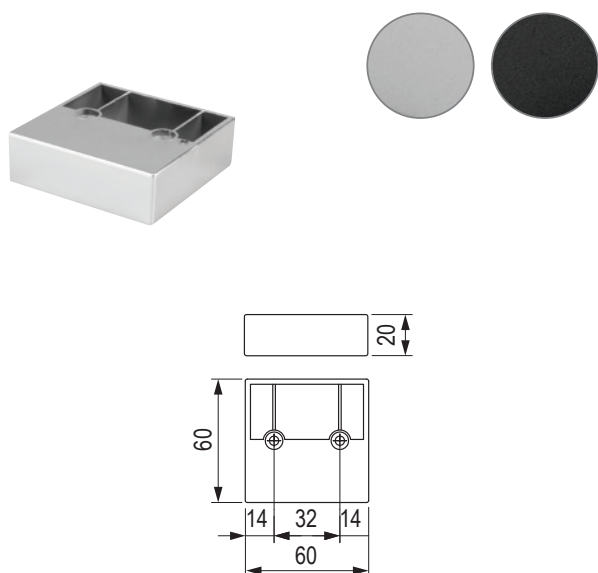
code	colour	height H (mm)	adjustment (mm)
<b>135324</b>	grey RAL 9006	60	+ 10
<b>135325</b>		80	
<b>135326</b>		100	
<b>135327</b>		120	
<b>135328</b>		150	

- material laminated plastic, load capacity according to CATAS test laboratory - 150 kg (400 kg without regulation)

code	colour	height H (mm)	adjustment (mm)
<b>496929</b>	black matt	60	+ 10
<b>496930</b>		80	
<b>496931</b>		100	
<b>496932</b>		120	
<b>496933</b>		150	

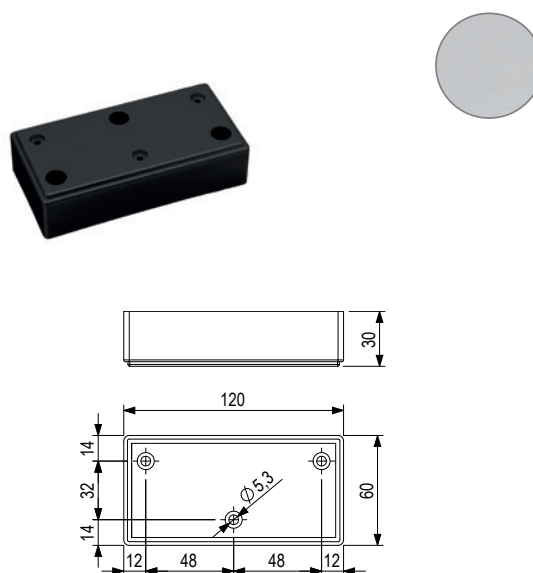
- material laminated plastic, load capacity according to CATAS test laboratory - 150 kg (400 kg without regulation)

## FP 004



code	colour	height (mm)
<b>135329</b>	grey RAL 9006	20
<b>135330</b>	polished chrome	
<b>496936</b>	black matt	

## FP 001

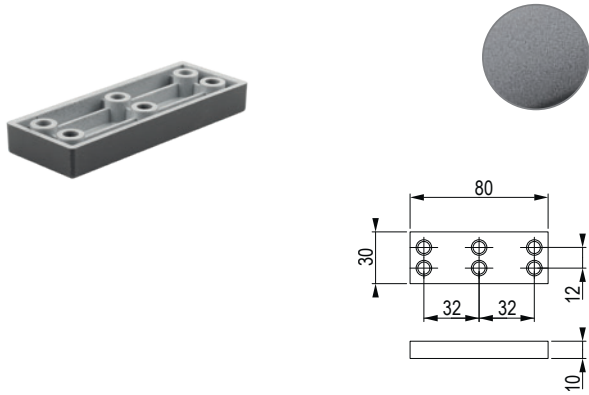


code	colour	height (mm)
<b>496938</b>	matt chrome	30
<b>496937</b>	black matt	

# StrongLegs – furniture legs – plastic (FP)



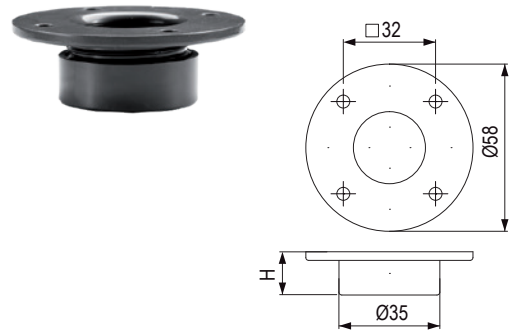
## FP 007



code	colour	height (mm)
<b>285155</b>	grey RAL 9006	10
<b>496935</b>	black matt	

- load capacity according to CATAS test laboratory – 300 kg

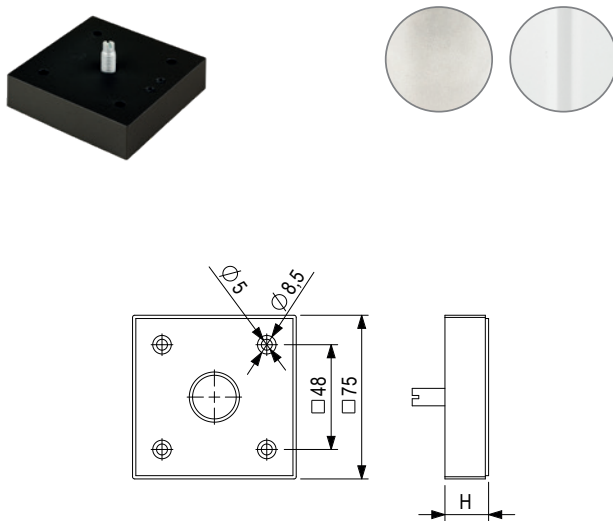
## FP 008



code	colour	height H (mm)	adjustment (mm)
<b>389753</b>	anthracite	15	+ 3

- load capacity according to CATAS test laboratory – 200 kg

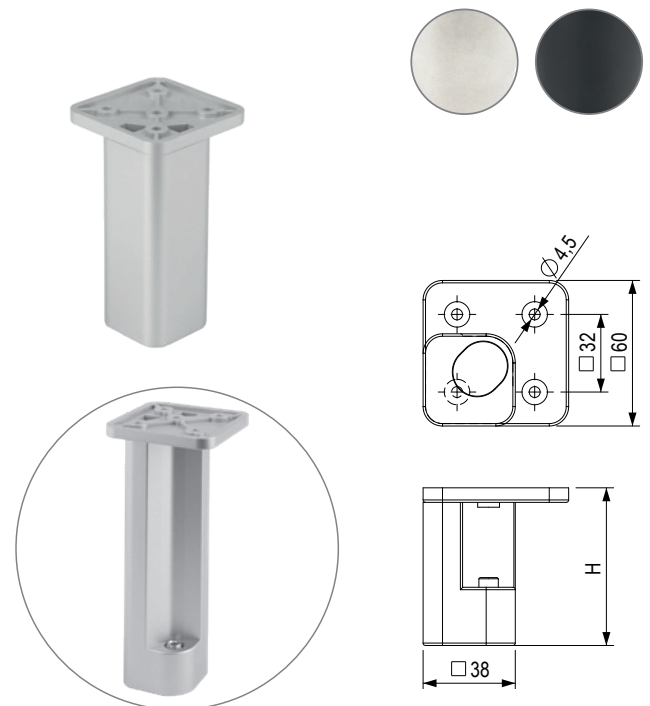
## FP 002



code	colour	height H (mm)	adjustment (mm)
<b>135305</b>	grey RAL 9006	20	+ 10
<b>135306</b>		30	
<b>135307</b>		50	
<b>135308</b>	polished chrome	20	
<b>135309</b>		30	
<b>135310</b>		50	
<b>496939</b>	black matt	20	
<b>496940</b>		30	
<b>496941</b>		50	

- load capacity according to CATAS test laboratory – 400 kg
- load capacity according to CATAS test laboratory – 600 kg

## FP 005



code	colour	height H (mm)	adjustment (mm)
<b>285147</b>	grey RAL 9006	100	+ 10
<b>285148</b>	polished chrome	100	
<b>285152</b>		150	
<b>496927</b>	black matt	100	
<b>496928</b>		150	

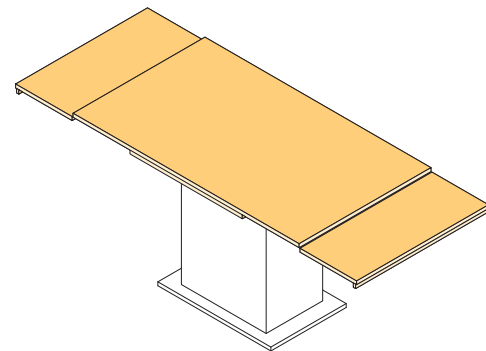
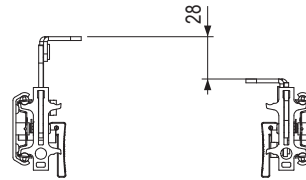
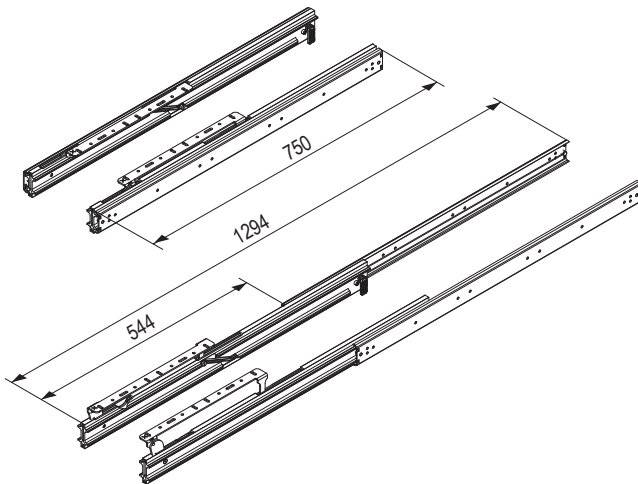
- load capacity according to CATAS test laboratory – 500 kg
- load capacity according to CATAS test laboratory – 150 kg (400 kg without regulation)

# Pöttker fittings for extendable tables

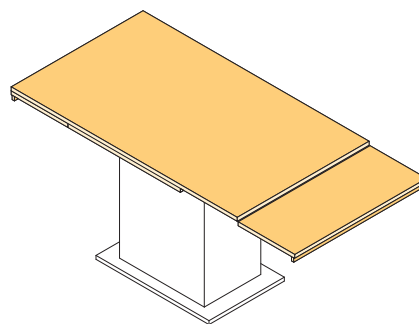
## Pöttker Frontslide Basic table slide – BL

- contains a pair of slides to extend the table on one side
- simple installation
- the tabletop pull-out system is solved by the table slide
- installation on the inside part of the frame
- no additional accessories are required
- only for 25 mm thick tabletop
- the mechanism lock is part of the slide
- combination of aluminium and steel

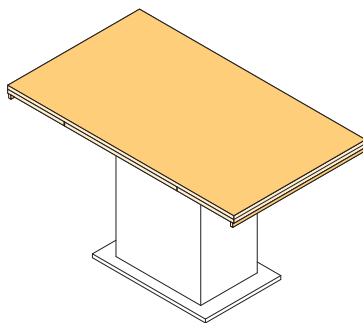
code	installation height (mm)	length (mm)	table insert (mm)	load capacity (kg)
<b>404369</b>	55	750	1 × 500	90



use of two pairs of slides



use of one pair of slides

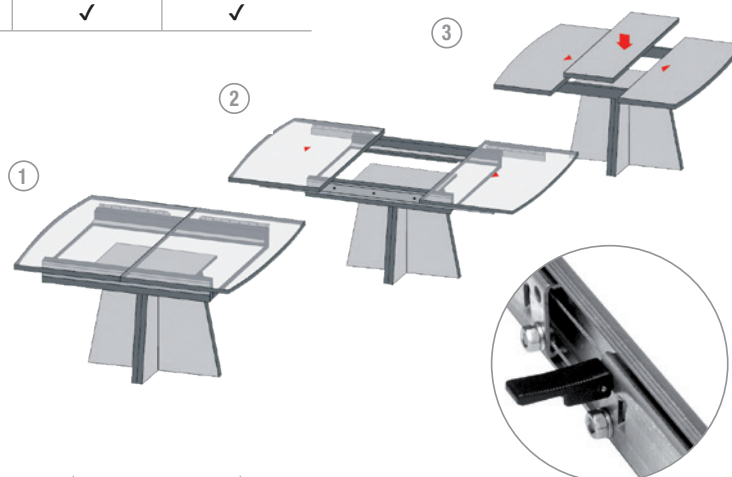
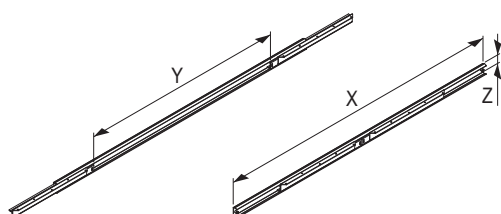


## Pöttker Basic table extensions slides

- for table lengths from 680 mm to 1 350 mm, up to a maximum length of extended table 2 350 mm
- designed for tables with open construction
- version with synchronous control and a brake
- made of steel
- rounded edges
- set includes pair of slides
- 📎 accessories, see p. 8.46-48



code	installation height Z (mm)	length X (mm)	table insert Y (mm)	load capacity (kg)	synchronisation	brake
<b>329039</b>	40	680	1 × 500	60	✗	✗
<b>329040</b>		1050	2 × 400		✗	✗
<b>329041</b>	50	850	1 × 500	90	✓	✓
<b>329042</b>		1350	2 × 500		✓	✓



**Recommended set for 800 × 800 table, 1300 × 800 after extension, 18 mm tabletop thickness, 1 × 500 mm table insert**

	slide	folding mechanism	dowel with bushing	hinge	hook bolt
code	<b>329039</b>	<b>329050</b>	<b>329057</b>	<b>329047</b>	<b>329055</b>
quantity	1 pair	1 pc	8 pcs	2 pcs	4 pcs

synchronisation with brake

**Recommended set for 1200 × 800 table, 2000 × 800 after extension, 18 mm tabletop thickness, 2 × 400 mm table insert**

	slide	folding mechanism	dowel with bushing	hinge	support	hook bolt
code	<b>329040</b>	<b>346790</b>	<b>329057</b>	<b>329047</b>	<b>404360</b>	<b>329056</b>
quantity	1 pair	1 pc	12 pcs	4 pcs	1 pc	6 pcs

**Recommended set for 1000 × 800 table, 1500 × 800 after extension, 18 mm tabletop thickness, 1 × 500 mm table insert**

	slide	folding mechanism	dowel with bushing	hinge
code	<b>329041</b>	<b>329050</b>	<b>329057</b>	<b>329045</b>
quantity	1 pair	1 pc	8 pcs	2 pcs

**Recommended set for 1500 × 800 table, 2500 × 800 after extension, 18 mm tabletop thickness, 2 × 500 mm table insert**

	slide	folding mechanism	dowel with bushing	hinge	support
code	<b>329042</b>	<b>346790</b>	<b>329057</b>	<b>329045</b>	<b>404360</b>
quantity	1 pair	1 pc	12 pcs	4 pcs	1 pc

ⓘ the above-recommended sets may differ in components according to the individual table construction

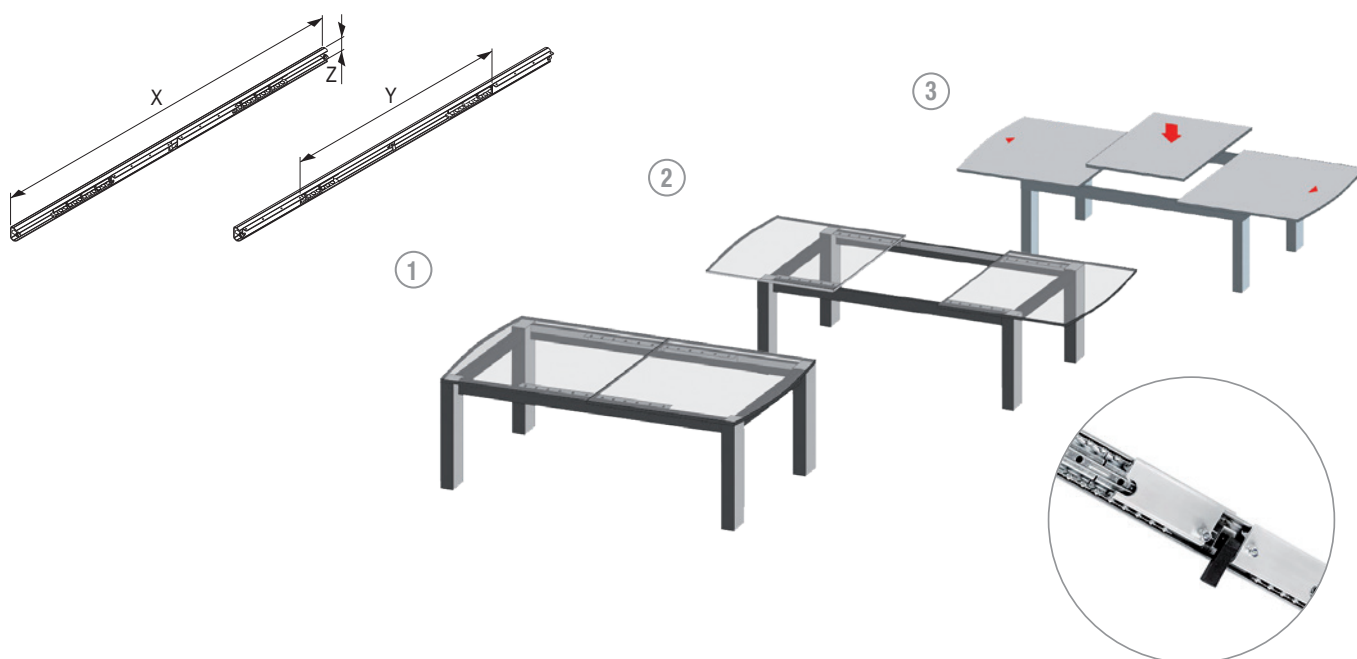
# Pöttker fittings for extendable tables

## Pöttker Basic Advanced table extension slides

- for table lengths from 850 mm to 1 350 mm, up to a maximum length of extended table 2 350 mm
- designed for tables with closed construction
- synchronous control and a lock mechanism
- outer steel profile, inner aluminium profile
- rounded edges
- set includes pair of slides
- ☑ accessories, see p. 8.46 – 48



code	installation height Z (mm)	length X (mm)	table insert Y (mm)	load capacity (kg)	synchronisation	lock mechanism
<b>345457</b>	50	850	1 × 500	90	✓	✓
<b>345460</b>		1350	2 × 500		✓	✓



**Recommended set for 1000 × 800 table, 1 500 × 800 after extension, 18–25 mm tabletop thickness, 1 × 500 mm table insert**

	slide	folding mechanism	dowel with bushing	hinge
code	<b>345457</b>	<b>329050</b>	<b>329057</b>	<b>329045</b>
quantity	1 pair	1 pc	8 pcs	2 pcs

synchronisation with brake

**Recommended set for 1500 × 800 table, 2500 × 800 after extension, 18–25 mm tabletop thickness, 2 × 500 mm table insert**

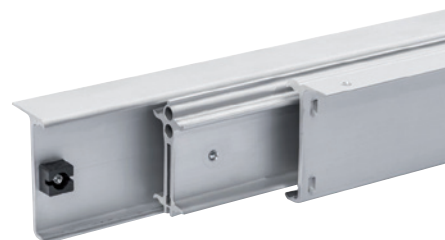
	slide	folding mechanism	dowel with bushing	hinge	support
code	<b>345460</b>	<b>346790</b>	<b>329057</b>	<b>329045</b>	<b>404360</b>
quantity	1 pair	1 pc	12 pcs	4 pcs	1 pc

❗ the above-recommended sets may differ in components according to the individual table construction

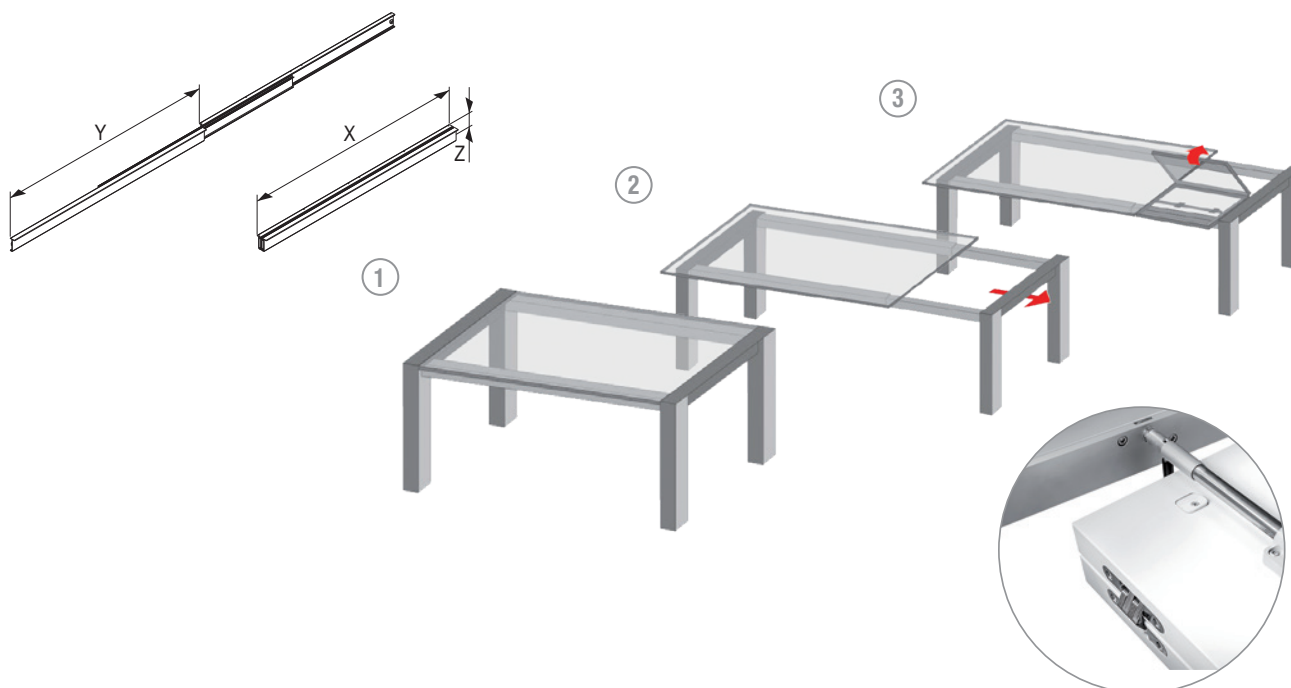
# Pöttker fittings for extendable tables

## Pöttker Alu 77 Frontslide table extension slides

- for tables with lengths of 940 mm and 1 315 mm with double extension
- high load capacity even when the table is extended
- made of anodised aluminium
- set includes pair of slides
- 🔗 accessories, see p. 8.46 - 48



code	installation height Z (mm)	length X (mm)	load capacity (kg)	way of extension slide Y (mm)
<b>329043</b>	75	940	115	948
<b>329044</b>		1315		1320



**Recommended set for 1200 × 800 table, 2100 × 800 after extension, 18–25 mm tabletop thickness, 1 × 900 mm table insert**

	slide	folding mechanism	balance safeguard	hinge	support
code	<b>329043</b>	<b>405122</b>	<b>404356</b>	<b>329045</b>	<b>381705</b>
quantity	1 pair	1 pc	2 pcs	3 pcs	2 pcs

example of using a folding mechanism FM 405122

**Recommended set for 1500 × 800 table, 2700 × 800 after extension, 18–25 mm tabletop thickness, 2 × 500 mm table insert**

	slide	folding mechanism	balance safeguard	hinge	support
code	<b>329044</b>	<b>404358</b>	<b>404356</b>	<b>329045</b>	<b>381705</b>
quantity	1 pair	1 pc	4 pcs	4 pcs	4 pcs

ⓘ the above-recommended sets may differ in components according to the individual table construction

# Pöttker fittings for extendable tables

## Folding mechanisms



code	description
<b>346790</b>	set of tube and accessories

- maximum installation length: 1 260 mm – cutting to size
- includes all accessories



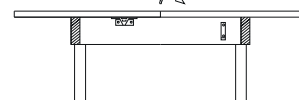
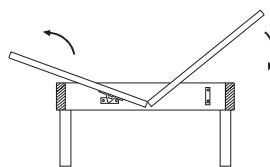
code	description
<b>405122</b>	FM-stop length, 1000 mm length

- for Alu Frontslide extension slide 329043
- only for one inserted tabletop
- FM stop contains a brake



code	description
<b>404358</b>	FM-stop length, 1 344 mm length

- for Alu Frontslide extension slide 329044
- for two inserted tabletops
- FM stop contains a brake



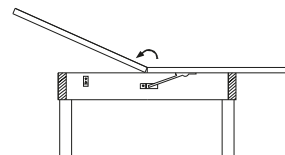
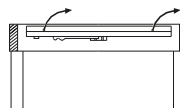
code	description
<b>329050</b>	folding mechanism

- the simplest version of the folding mechanism
- consisting of 4 parts – 2 × hinge, 2 × lock



code	description
<b>329051</b>	tilting horizontal bar for 500 mm tabletop

- fixed version of the folding mechanism – only for 500 mm tabletops



## Accessories for flipping systems



code	description
<b>404360</b>	support - tube with plastic rollers

- maximum installation length: 1260 mm – can be cut to size

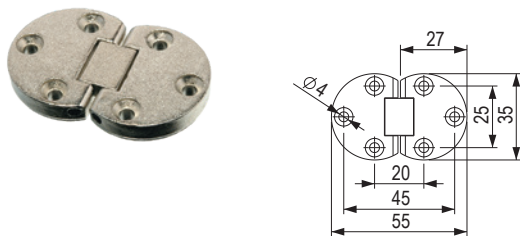
## Accessories for tabletop fixing



- only for Alu Frontslide extension slide

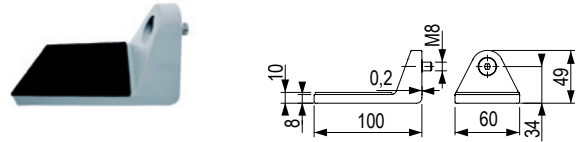
code	description
<b>404356</b>	safety latch against table insert

## Hinge for milling-in into the tabletop



code	description
<b>10902</b>	hinge depth 7 mm

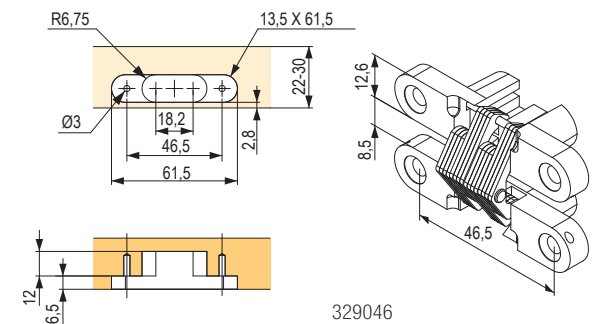
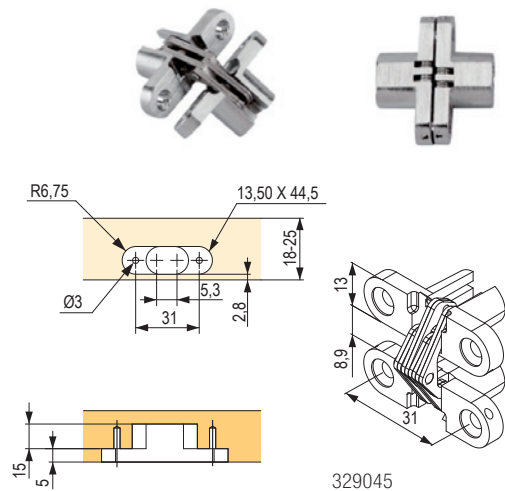
## Accessories for flipping systems



code	description
<b>381705</b>	plastic L support for tilting tubes

- serves as a support for the inserted tabletop in the folded state

## Hinge for installation in the edge of the tabletop



code	description
<b>329045</b>	for tabletop thickness 18-25 mm, angle 180°
<b>329046</b>	for tabletop thickness 22-30 mm, angle 180°

# fittings for extendable tables

## Full overlay hinge 180°



code	description
<b>329047</b>	for tabletop thickness 18 mm
<b>329048</b>	for tabletop thickness 22 mm
<b>329049</b>	for tabletop thickness 25 mm

## Accessories for tabletop fixing



329057



329056



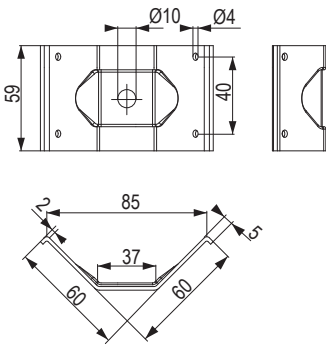
329055

code	description
<b>329057</b>	dowel with bushing
<b>329056</b>	turnbuckle
<b>329055</b>	hook bolt

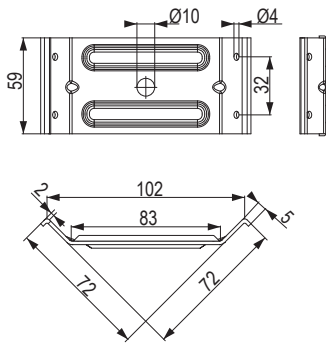
## Corner sheet metal



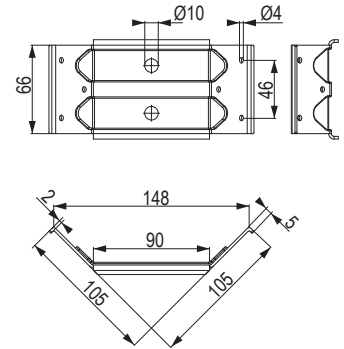
386766



386767



386768



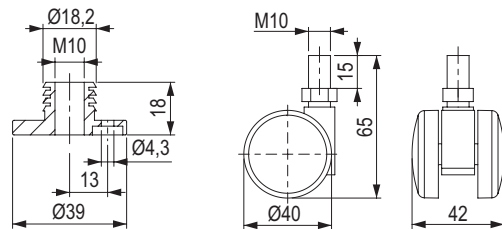
code	dimensions (mm)
<b>386766</b>	85 × 59 mm
<b>386767</b>	102 × 59 mm
<b>386768</b>	148 × 66 mm

# castors

## ø 40 mm



code	description	colour	static load capacity (kg)
<b>306062</b>	castor, ø 40 mm, black, with M10 pin	black	40
<b>306063</b>	M10 insert (glide)		

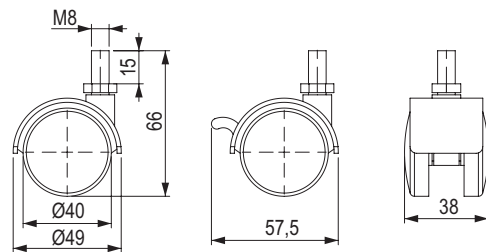


- the insert can serve as a glide with the option of adding a castor

## ø 40 mm



code	description	colour	static load capacity (kg)
<b>36151</b>	castor with a stem M8 × 15 mm	black	30
<b>36154</b>	castor with a stem M8 × 15 mm and a brake		

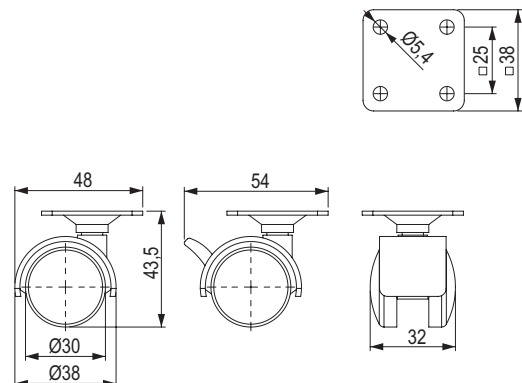


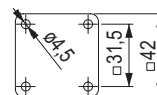
- ☑ for a castor with M8 pin, nut 15053 from can be used, p. 08.23

## ø 30 mm

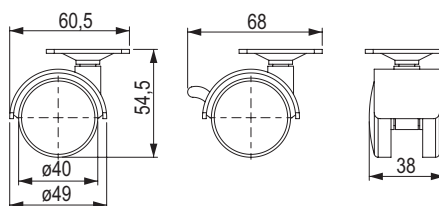
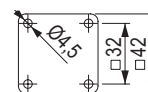


code	description	colour	static load capacity (kg)
<b>36140</b>	castor with a plate	black	25
<b>270112</b>	castor with a plate and a brake		

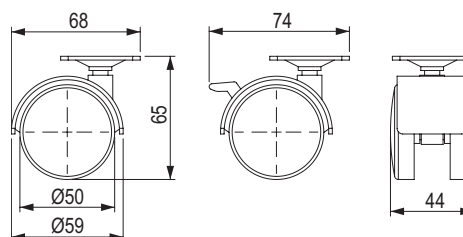
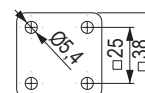


**ø 40 mm**


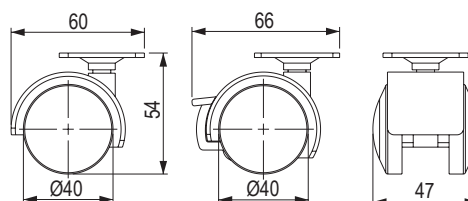
code	description	colour	static load capacity (kg)
<b>36159</b>	castor with a plate	grey	20
<b>36141</b>		black	
<b>270111</b>	castor with a plate and a brake	grey	
<b>36144</b>		black	


**ø 50 mm**


code	description	colour	static load capacity (kg)
<b>36168</b>	castor with a plate	grey	40
<b>36143</b>		black	
<b>36169</b>	castor with a plate and a brake	grey	
<b>36146</b>		black	

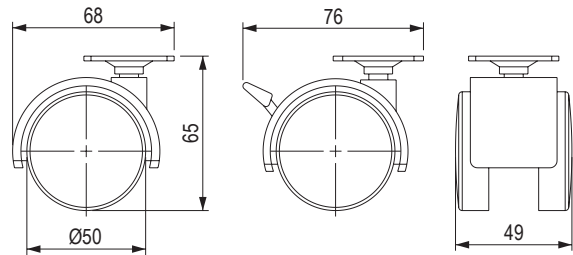
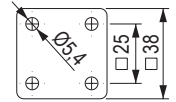

**Castor with softened treads, ø 40 mm**


code	description	colour	static load capacity (kg)
<b>467266</b>	castor with a plate	grey	30
<b>467267</b>	castor with a plate and a brake	with black	



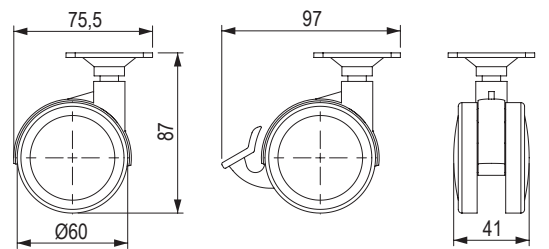
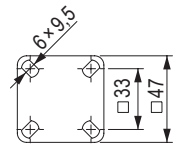
# castors

## Castor with softened treads, $\varnothing$ 50 mm



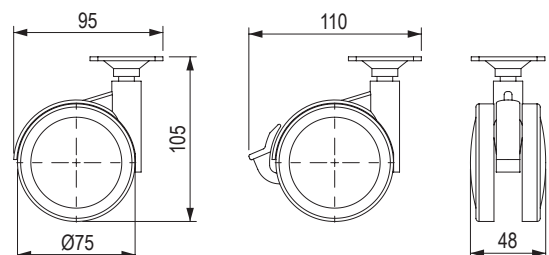
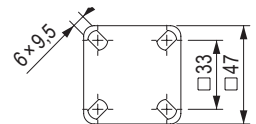
code	description	colour	static load capacity (kg)
<b>467258</b>	castor with a plate	grey with black	40
<b>467259</b>	castor with a plate and a brake		

## Castor with softened treads, $\varnothing$ 60 mm

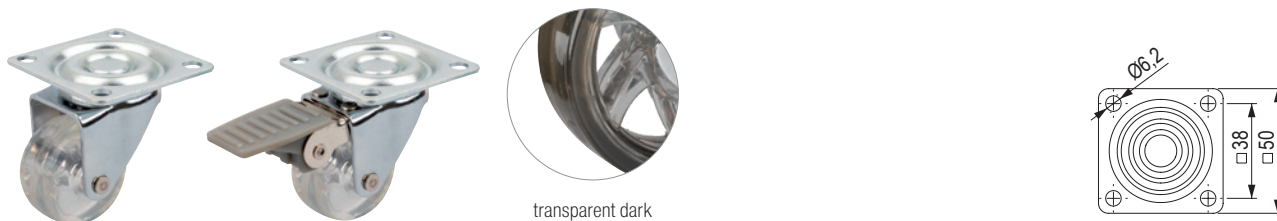


code	description	colour	static load capacity (kg)
<b>216381</b>	castor with a plate	grey	50
<b>216382</b>	castor with a plate and a brake		

## Castor with softened treads, $\varnothing$ 75 mm

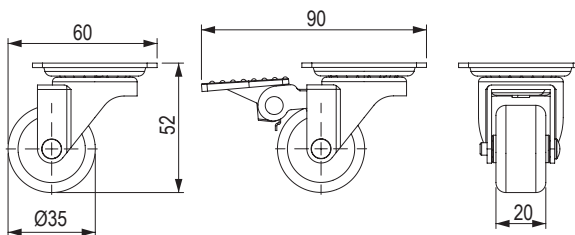


code	description	colour	static load capacity (kg)
<b>216383</b>	castor with a plate	grey	60
<b>216384</b>	castor with a plate and a brake		

**TOP-E  $\varnothing$  35 mm, with softened treads**


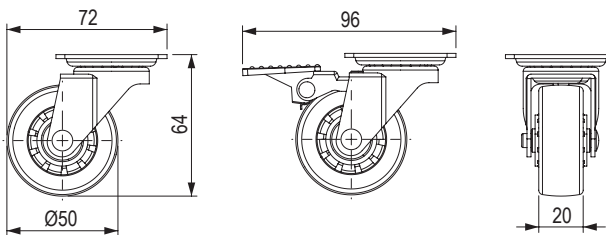
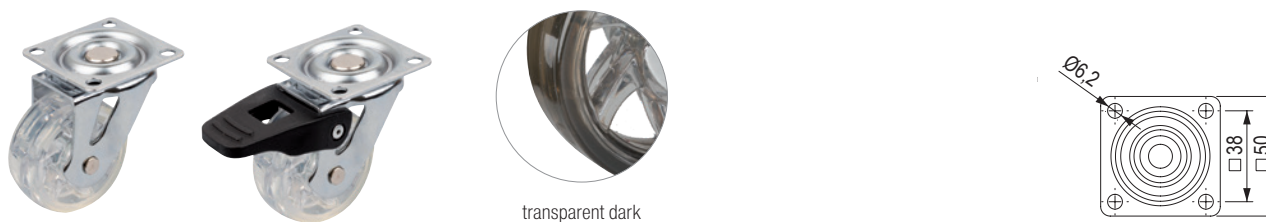
transparent dark

code	description	colour	static load capacity (kg)
401710	without a brake	transparent clear	25
401709	with brake		
406085	without a brake	transparent dark	
406084	with brake		


**TOP-E  $\varnothing$  50 mm, with softened treads**

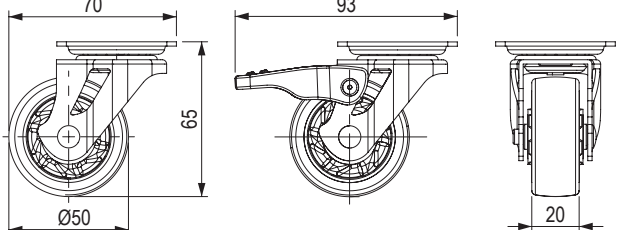

transparent dark

code	description	colour	static load capacity (kg)
401712	without a brake	transparent clear	35
401711	with brake		
406083	without a brake	transparent dark	
406082	with brake		


**TOP  $\varnothing$  50 mm, with softened treads**


transparent dark

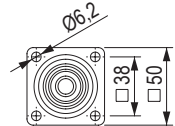
code	description	colour	static load capacity (kg)
406079	without a brake	transparent clear	35
406080	with brake		
285206	without a brake	transparent dark	
285207	with brake		



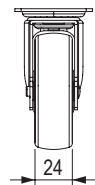
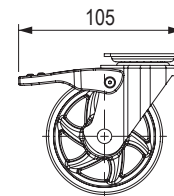
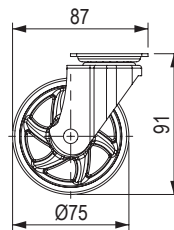
## TOP Ø 75 mm, with softened treads



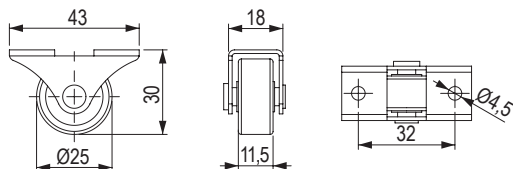
transparent dark



code	description	colour	static load capacity (kg)
<b>406450</b>	without a brake	transparent clear	45
<b>406451</b>	with brake		
<b>285208</b>	without a brake	transparent dark	
<b>285209</b>	with brake		

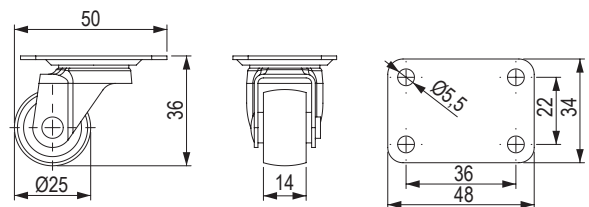


## Fixed castors, Ø 25 mm



code	description	static load capacity (kg)
<b>10787</b>	plastic tread	25
<b>285160</b>	softened tread	

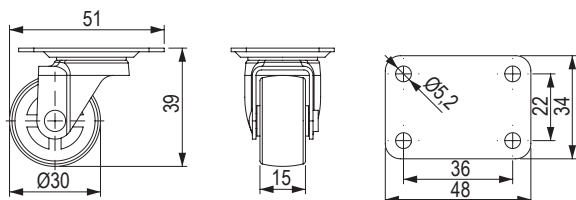
## Swivel castors, Ø 25 mm



code	description	static load capacity (kg)
<b>285163</b>	plastic tread	10

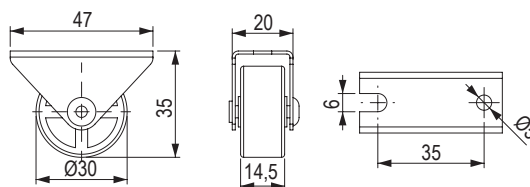
# castors / technical castors

## Swivel castors, $\varnothing$ 30 mm



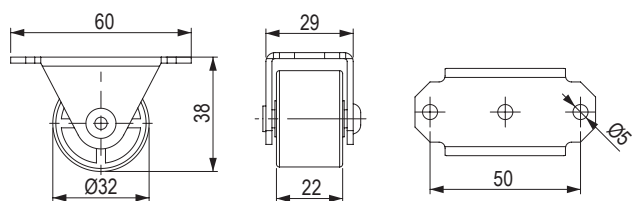
code	description	static load capacity (kg)
<b>285162</b>	softened tread	30

## Fixed castors, $\varnothing$ 30 mm



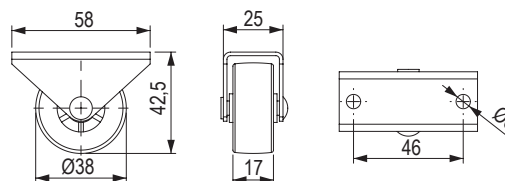
code	description	static load capacity (kg)
<b>285161</b>	softened tread	30

## Fixed castors, $\varnothing$ 32 mm



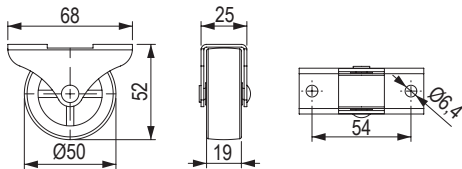
code	description	static load capacity (kg)
<b>10789</b>	plastic tread	40

## Fixed castors, $\varnothing$ 38 mm



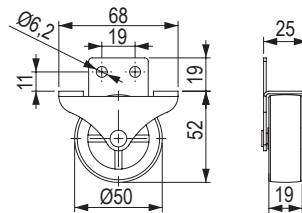
code	description	static load capacity (kg)
<b>491242</b>	softened tread	30

**Fixed castors,  $\varnothing$  50 mm**



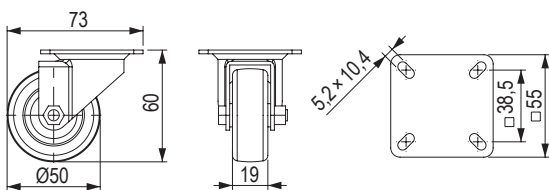
code	description	static load capacity (kg)
<b>491239</b>	softened tread	50

**Fixed castors,  $\varnothing$  50 mm fixation on side**



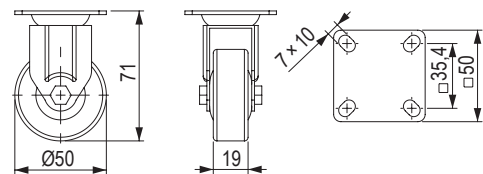
code	description	static load capacity (kg)
<b>491243</b>	softened tread	50

**Swivel castors,  $\varnothing$  50 mm**



code	description	static load capacity (kg)
<b>10792</b>	softened tread	30

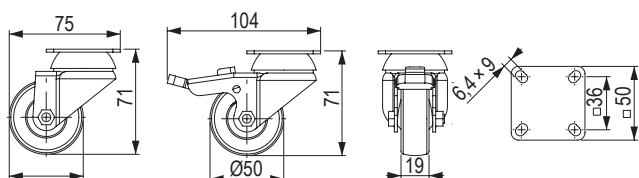
**Fixed castors,  $\varnothing$  50 mm**



code	description	static load capacity (kg)
<b>285166</b>	softened tread	30

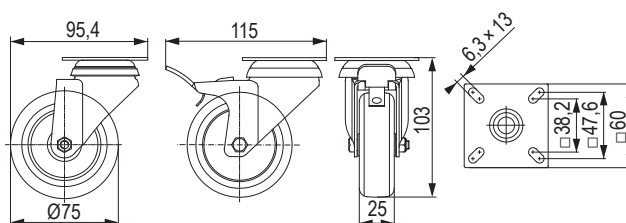
# castors / technical castors

## Swivel castors, $\varnothing$ 50 mm, with softened treads



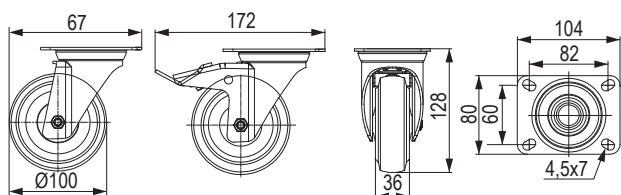
code	description	static load capacity (kg)
<b>285165</b>	castor with a plate and a brake	20
<b>285164</b>	castor with a plate	

## Swivel castors, $\varnothing$ 75 mm, with softened treads



code	description	static load capacity (kg)
<b>467271</b>	castor with a plate and a brake	70
<b>467270</b>	castor with a plate	

## Swivel castors, $\varnothing$ 100 mm, with softened treads



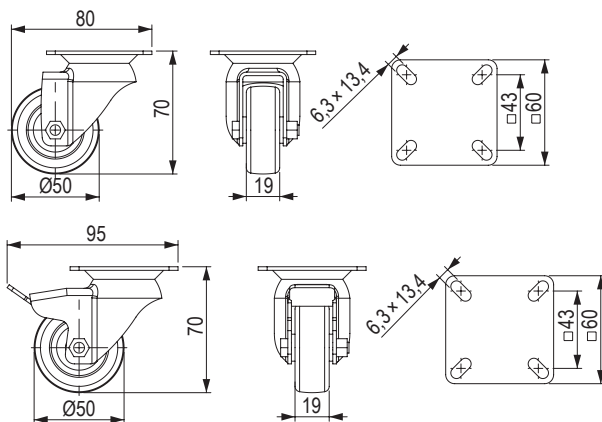
code	description	static load capacity (kg)
<b>467273</b>	castor with a plate and a brake	160
<b>467272</b>	castor with a plate	



Tente castors and pulleys  
castors make my everyday life easier



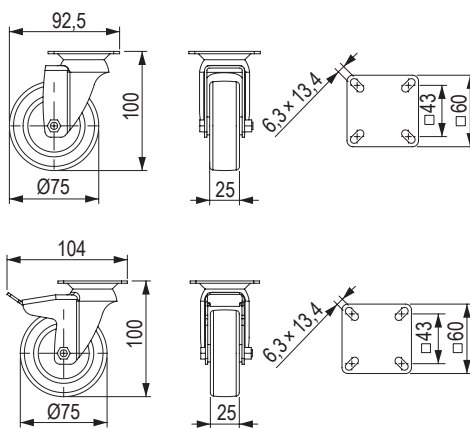
**Swivel castors,  $\varnothing$  50 mm**



code	description	static load capacity (kg)
<b>154145</b>	castor with a plate	80
<b>154146</b>	castor with a plate and a brake	

- softened tread
- centre bearing with a double ball bearing collar

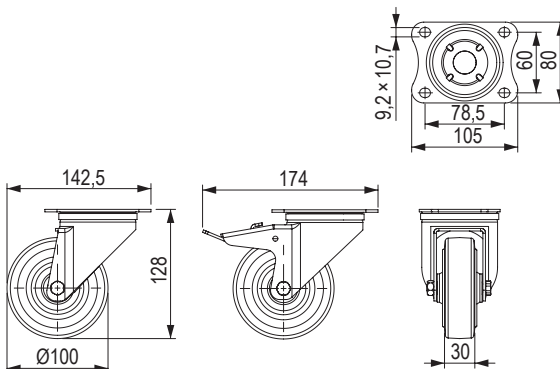
**Swivel castors,  $\varnothing$  75 mm**



code	description	static load capacity (kg)
<b>154147</b>	castor with a plate	120
<b>154148</b>	castor with a plate and a brake	

- softened tread
- centre bearing with a double ball bearing collar

**Swivel castors,  $\varnothing$  100 mm**



code	description	colour	static load capacity (kg)
<b>154140</b>	without brake, softened tread	grey	320
<b>154142</b>	with brake, softened tread		
<b>401509</b>	without brake, softened tread	blue <sup>1)</sup>	
<b>401511</b>	with brake, softened tread		

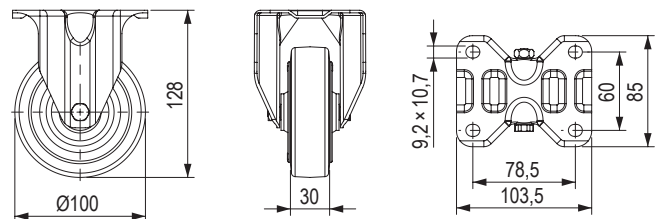
- double ball bearing swivel head
- <sup>1)</sup> it is a special "non-staining" blue colour

# castors

## Fixed castors, ø 100 mm



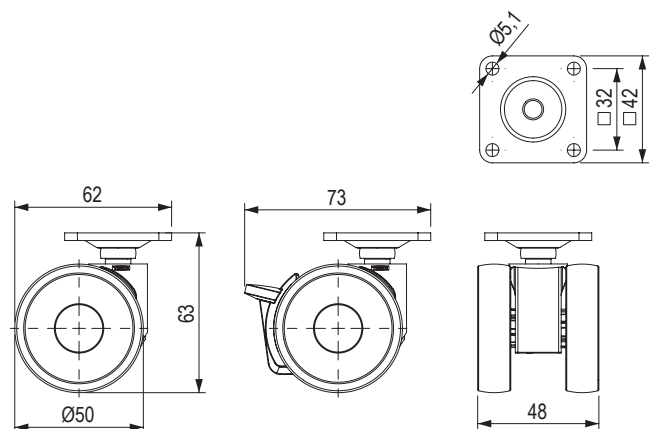
code	colour	static load capacity (kg)
154141	grey	320
494495	blue	



## Linea castor, ø 50 mm



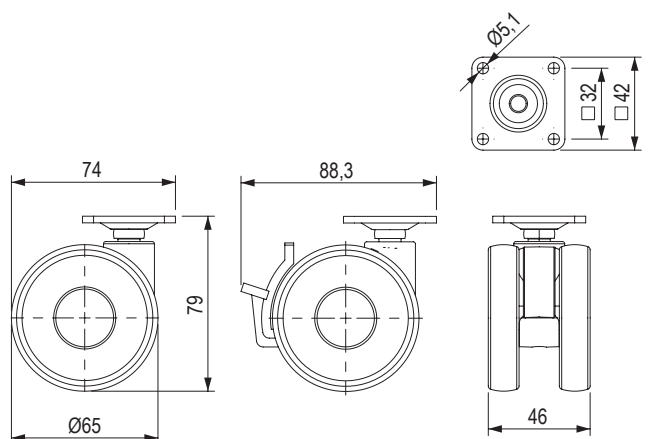
code	description	colour	static load capacity (kg)
494413	without a brake	light grey (RAL 9002)	100
494490	with brake		
494491	without a brake	dark grey (RAL 7001)	
494492	with brake		
494493	without a brake	black (RAL9011)	
494494	with brake		



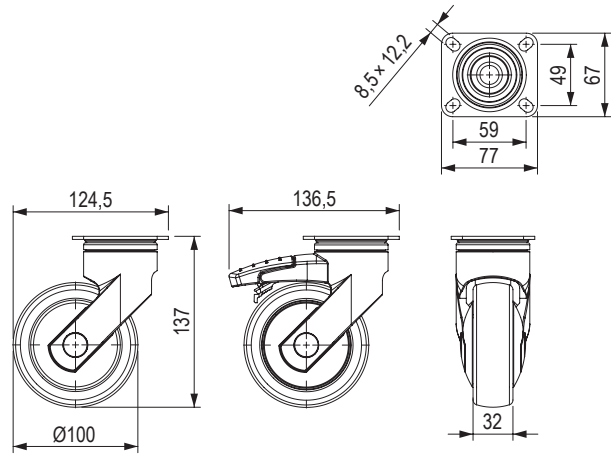
## Linea castor, ø 65 mm



code	description	colour	static load capacity (kg)
231551	without a brake	light grey (RAL 9002)	70
231552	with brake		
231555	without a brake	dark grey (RAL 7001)	
231556	with brake		
494406	without a brake	black (RAL 9011)	
494274	with brake		



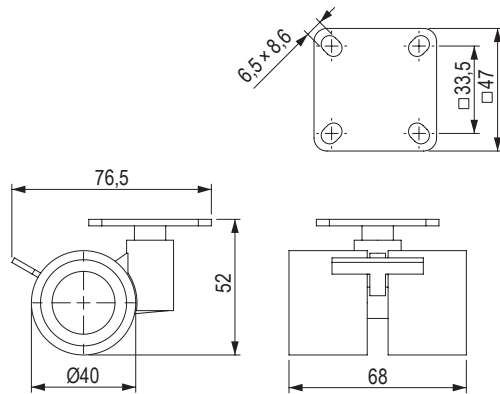
**Swivel castor 5370,  $\varnothing$  100 mm, with brake 5377,  $\varnothing$  100 mm**



code	description	static load capacity (kg)
<b>154143</b>	without a brake	200
<b>154144</b>	with brake	

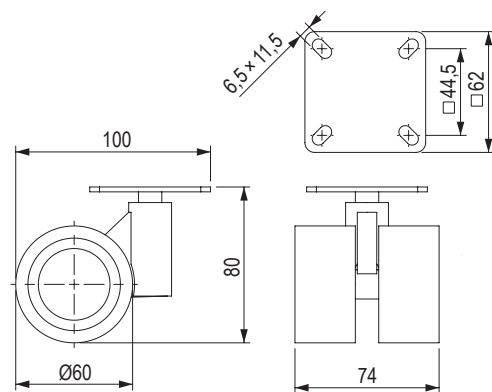
- double ball bearing swivel head
- rubber tread

**Formula castor,  $\varnothing$  40 mm, with brake**



code	description	colour	static load capacity (kg)
<b>86114</b>	softened tread	grey	35
<b>86175</b>		white	

**Formula castor,  $\varnothing$  60 mm**



code	description	colour	static load capacity (kg)
<b>86115</b>	softened tread	grey	80
<b>356296</b>	softened tread with brake		

- metal castor body