



fittings for offices, home offices, student rooms



COMPLETE SPECIFICATIONS FOR PEDESTAL UNIT MANUFACTURE

Schematics, all parts kits, outputs for CNC machinery, 3D models, all in one place on demos24plus.com



ADVISORY SERVICE

Not sure how to choose or assemble the fittings? Call +420 556 684 310 or email export@demos-trade.com and we will be happy to help you.



SAMPLE ROOM DISPLAYS

What does the appearance, dimensions, and method of operation look like? Come and see for yourself, or send your customers to our sample room. We will walk them through everything and help them make the right choice.



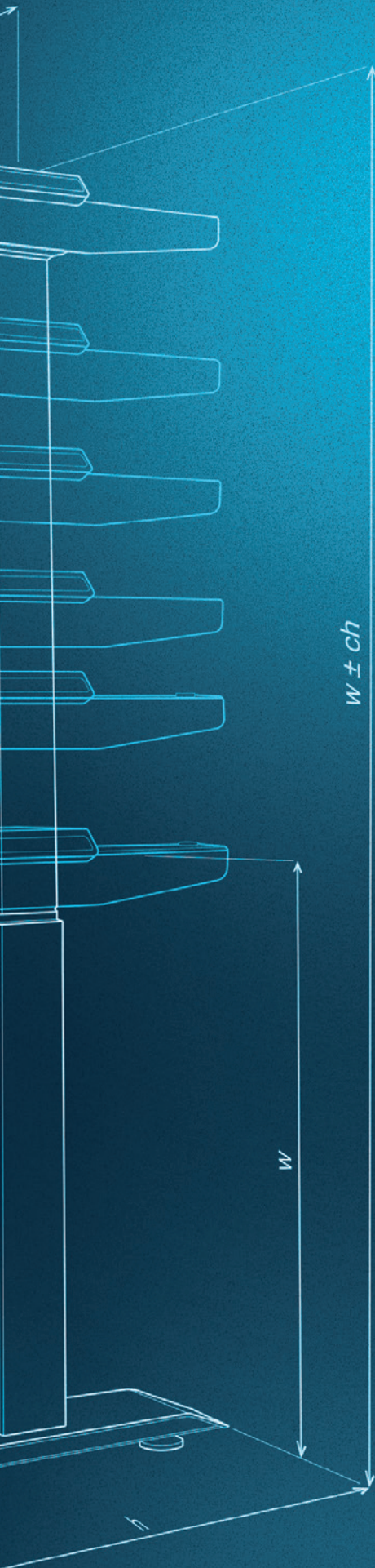
PORTAL

A customer portal for purchasing, order overview, job submission, formatting, and order status tracking. Stock availability, your prices, and much more – all in one place.



DELIVERY TO YOUR DOOR

All orders will be delivered to your hands within 72 hours.







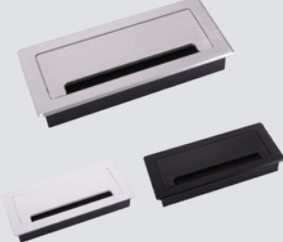
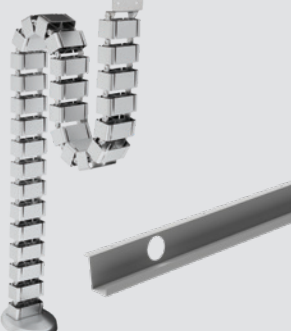
contents



MILADesign



contents

	<p>electrically adjustable bases</p>	<p>StrongLegs 09.5</p>
	<p>bases</p>	<p>StrongLegs 09.7 Miladesign 09.8 central table legs 09.19</p>
	<p>locks</p>	<p>StrongLocks – with replaceable insert 09.23 StrongLocks – with integrated insert 09.31 StrongLocks – electronic 09.34 Lehmann – with replaceable insert 09.37 Lehmann – coded 09.55</p>
	<p>containers</p>	<p>BBP 09.63</p>
	<p>cable exit</p>	<p>09.88</p>
	<p>cable management</p>	<p>09.90</p>

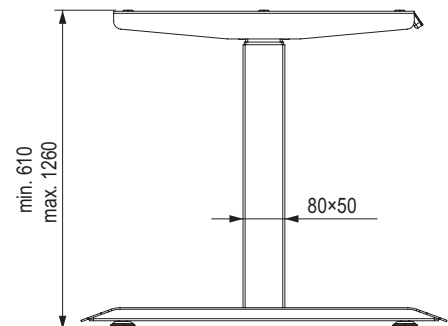
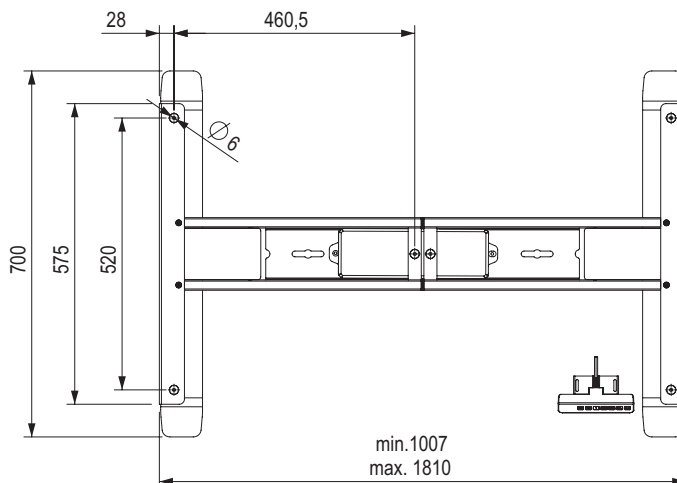
StrongLegs electric adjustable base



Straight

code	colour
392523	silver
392522	white
392524	black

- version with two motors
- height: 610-1,260 mm
- tabletop length: 1,200-1,800 mm
- tabletop depth: 700-800 mm
- tabletop load capacity: 120 kg with even load on the tabletop
- engine speed: 32 mm/s
- noise level: < 45 dB
- leg profile: 80 x 50 mm
- three levels of anti-collision protection sensitivity setting
- child safety latch
- **USB 1 x A/C rechargeable**



Spare part

code	description
537529	control panel for adjustable base
537530	control unit

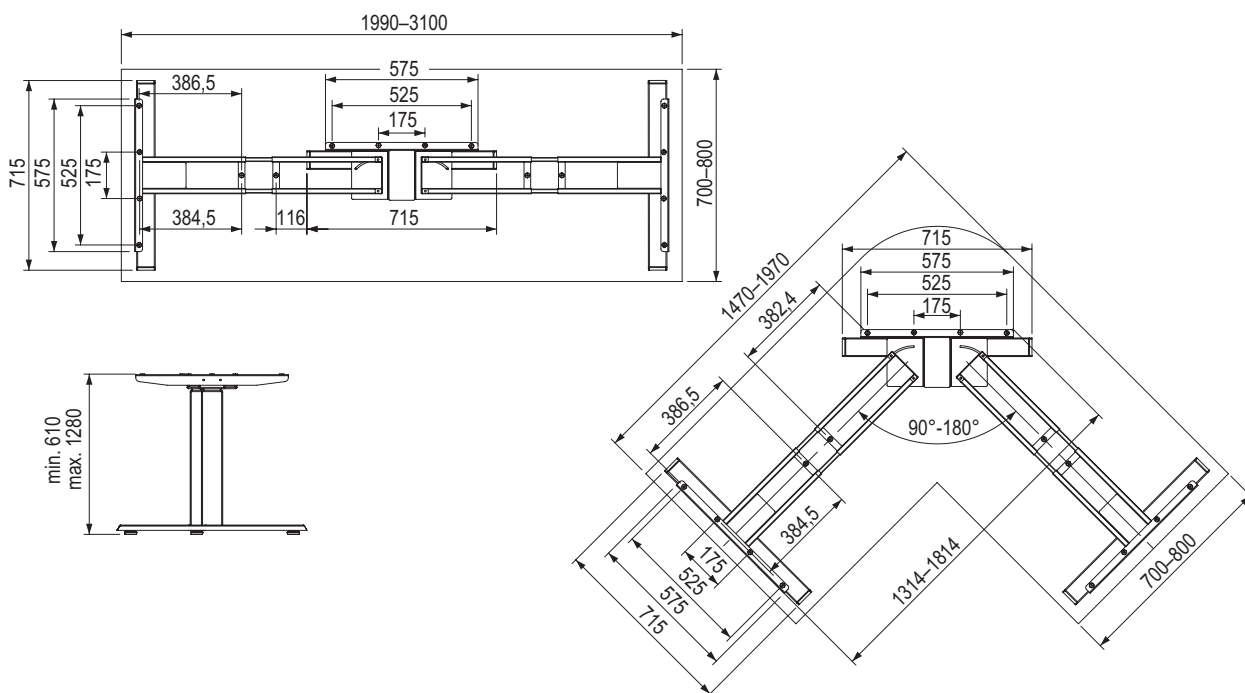


StrongLegs electric adjustable base

Corner

code	colour
392518	silver
392515	white
392520	black

- version with three engines
- height: 610–1,260 mm
- tabletop length:
 - for 90° - 1,470–1,970 mm
 - for 180° - 1,990–3,100 mm
- tabletop depth: 700–800 mm
- tabletop load capacity: 150 kg with even load on the tabletop
- engine speed: 32 mm/s
- noise level: < 45 dB
- leg profile: 80 × 50 mm
- three levels of anti-collision protection sensitivity setting
- child safety latch
- **USB 1 × A/C rechargeable**
- **angle adjustment in the range of 90°–180°**



Spare part

code	description
537529	control panel for adjustable base
537530	control unit



StrongLegs table bases



Support structure (legs)

profile (mm)	tabletop depth (mm)	silver	black	white
50 × 50	600	501404	501409	501416
	800	501405	501410	501417
50 × 25	600	501406	501411	501418
	800	501407	501413	501419
50 × 25 closed	800	501408	501415	501420



silver
RAL 9006

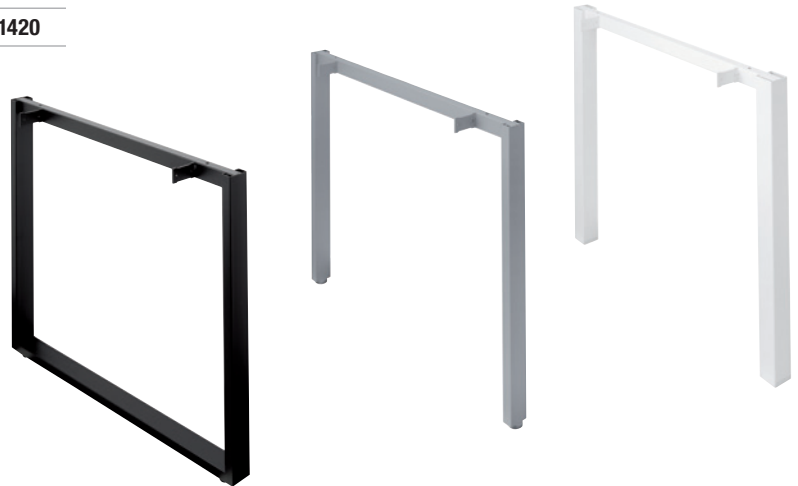
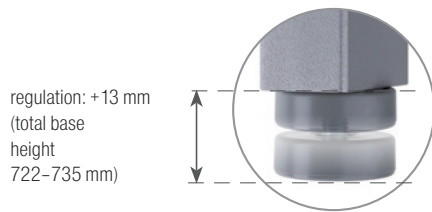


black
RAL 9005



white
RAL 9016

- the complete construction consists of 1 set of bases and 2 pcs of connecting bars
- height adjustment: 722–735 mm
- fasteners included in the delivery
- connecting bars, must be purchased separately



Connecting bars

tabletop length (mm)	silver	black	white	A (mm)	B (mm)	number of holes ¹⁾
1200	400045	400046	400047	1110	×	2
1400	400049	400050	400051	1310	400	3
1600	400053	400054	400055	1510	500	3

¹⁾ for mounting the tabletop



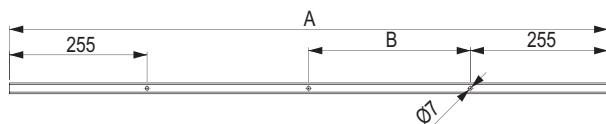
silver
RAL 9006



black
RAL 9005



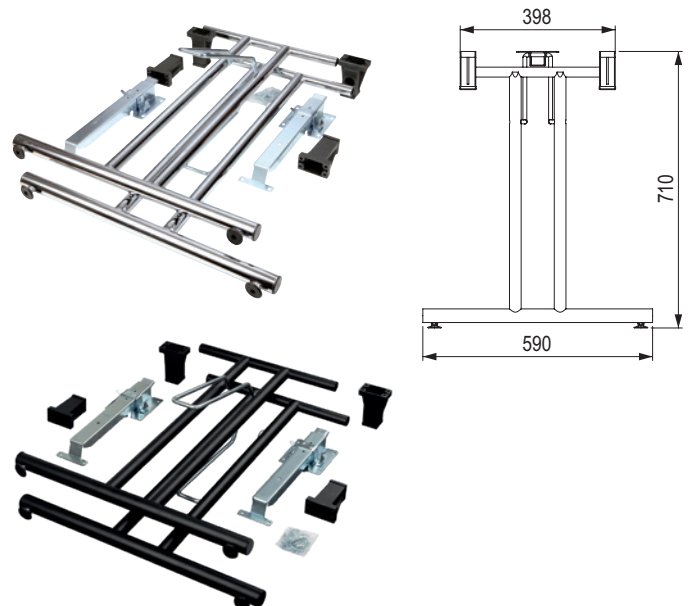
white
RAL 9016



Folding desk base

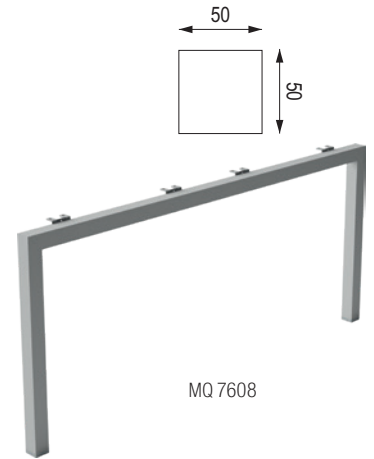
code	colour
503406	chrome
503402	black

- quality metal locking mechanism
- packed as a complete set for one table



Open construction 50 × 50

tabletop depth (mm)	name	height (mm)	adjustment (mm)	silver	black	white	recommended number of connecting bars
600	MQ7306	715	+15	229305	229304	229303	2
700	MQ7307			229310	229309	229308	
800	MQ7308			229315	229314	229313	
1200	MQ7312			229320	229319	229318	4
1400	MQ7314			229325	229324	229323	
1600	MQ7316			229330	229329	229328	



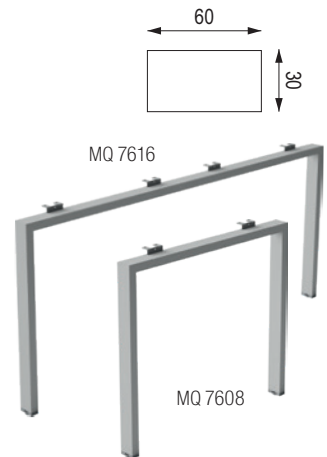
- legs from the profile 50 × 50 mm
- available to order for tabletop depth 1,200, 1,400 and 1,600 mm (recommended number of bars 4)

☑ connecting channels and accessories can be found on p. 09.10
 ☑ overlap S = 0 mm (see p. 09.10 for connecting bars)

MQ 7608

Open construction 60 × 30

tabletop depth (mm)	name	height (mm)	adjustment (mm)	silver	black	white	recommended number of connecting bars
600	MQ7606	715	+15	230989	230988	230987	2
700	MQ7607			230994	230993	230992	
800	MQ7608			230999	230998	230997	
1200	MQ7612			231004	231003	231002	4
1400	MQ7614			231009	231008	231007	
1600	MQ7616			231014	231013	231012	



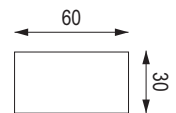
- legs from the profile 60 × 30 mm
- available to order for tabletop depths of 1,200, 1,400 and 1,600 mm (recommended number of bars 4)

☑ connecting channels and accessories can be found on p. 09.10
 ☑ overlap S = 0 mm (see p. 09.10 with connecting bars)

MQ 7608

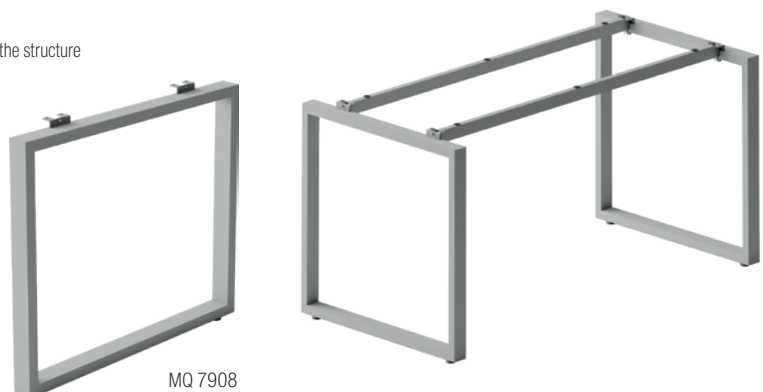
Closed construction 60 × 30

tabletop depth (mm)	name	height (mm)	adjustment (mm)	silver	black	white	recommended number of connecting bars
600	MQ7906	715	+15	231019	231018	231017	2
700	MQ7907			231024	231023	231022	
800	MQ7908			231029	231028	231027	



- legs from the profile 60 × 30 mm
- for one pair of bases, we recommend 2 pcs of connecting bars to ensure the stability of the structure

☑ connecting channels and accessories can be found on p. 09.10
 ☑ overlap S = 0 mm (see p. 09.10 with connecting bars)

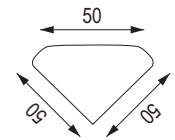


MQ 7908

MOBI-Q bases

Open construction triangular profile 50 × 50 × 50

tabletop depth (mm)	name	height (mm)	adjustment (mm)	silver	black	white	recommended number of connecting bars
600	MQ 5506	715	+15	259276	259278	259279	2
700	MQ 5507			259281	259283	259284	
800	MQ 5508			259286	259288	259289	
1200	MQ 5512			259291	259293	259294	4
1400	MQ 5514			259296	259298	259299	
1600	MQ 5516			259301	259303	259304	



MQ 5516

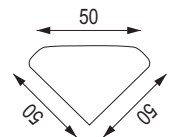


MQ 5508

- ☑ connecting channels and accessories can be found on p. 09.10
- ☑ overlap S = 0 mm (see p. 09.10 with connecting bars)

Closed construction triangular profile 50 × 50 × 50

tabletop depth (mm)	name	height (mm)	adjustment (mm)	silver	black	white	recommended number of connecting bars
700	MQ 5507-Z	715	+ 15	259326	259328	259329	
800	MQ 5508-Z			252558	259333	259334	



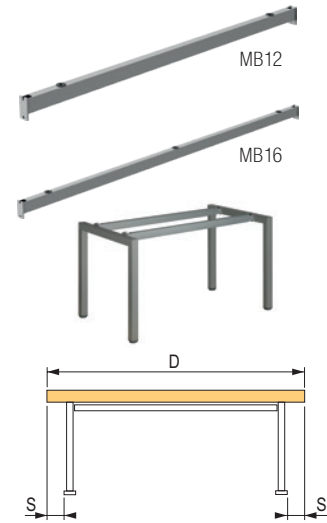
- ☑ connecting channels and accessories can be found on p. 09.10
- ☑ overlap S = 0 mm (see p. 09.10 with connecting bars)



MQ 5508-Z

Fixed bar

table length (mm)	name	silver	anthracite	black	white
800	MB08	217962	219082	219586	220092
1000	MB10	217963	219083	219587	220093
1200	MB12	217964	219084	219588	220094
1400	MB14	217965	219085	219589	220095
1600	MB16	217966	219086	219590	220096
1800	MB18	244383	268701	283615	283617
2000	MB20	479486	479487	479488	479489



- the bar length is always 100 mm shorter than the indicated tabletop length
- when using a corner leg, it is recommended to select connecting bar with regulation

D – length of the tabletop according to the selected connecting channel
 S – overlap of the tabletop over the table frame, overlap indicated for each base

Bar with regulation

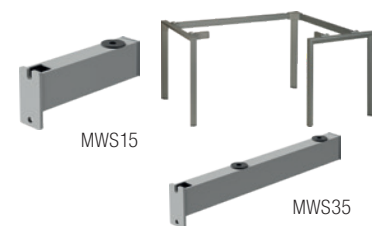
table length (mm)	name	silver	anthracite	black	white
800–1200	MBR08–12	217967	219087	219591	220097
1200–1800	MBR12–18	283420	283421	283422	283424
1600–2200	MBR16–22	278210	283646	283648	283647



- the bar length is always 100 mm shorter than the indicated tabletop length

MWS support

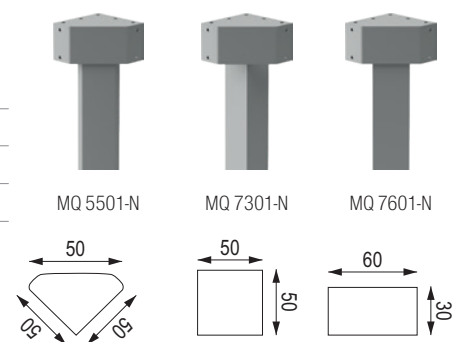
length (mm)	name	silver	anthracite	black	white
151	MWS15	217969	219089	219593	220099
340	MWS35	217970	219090	219594	220100



- ensures stability for bases without rims or channels

Corner leg MOBI-Q

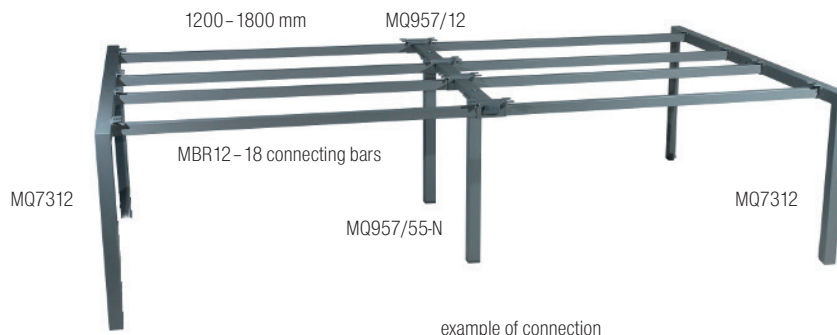
leg profile (mm)	name	silver	anthracite	black	white
50 × 50 × 50	MQ 5501-N	259366	259367	259368	259369
50 × 50	MQ 7301-N	259371	259372	259373	259374
60 × 30	MQ 7601-N	259376	259377	259378	259379



- height: 715 – 730 mm

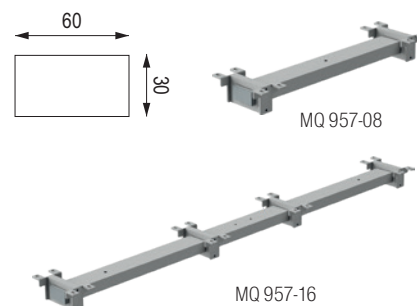
Centre table parts for MOBI-Q bases

- used to connect several bases in a row
- creating a long table
- consists of one pair of bases, one or more crosspieces and legs



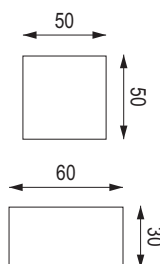
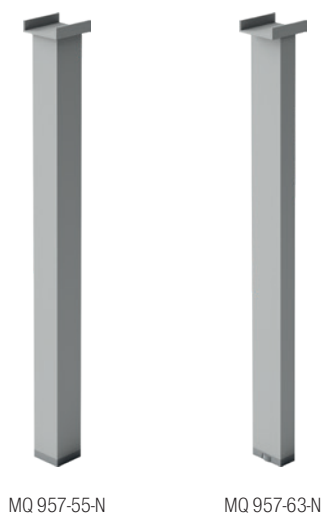
Crosspieces

for depth of the table (mm)	name	silver	anthracite	black	white	number of legs required
800	MQ957/08	503389	503392	503391	503390	1
1200	MQ957/12	259381	259382	259383	259384	2
1400	MQ957/14	259386	259387	259388	259389	
1600	MQ957/16	259391	259392	259393	259394	



Legs

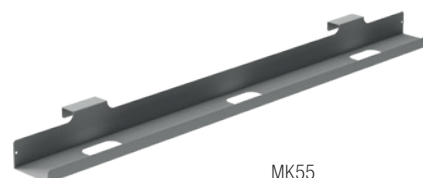
leg profile (mm)	name	silver	anthracite	black	white
50 × 50	MQ957/55-N	259396	259397	259398	259399
60 × 30	MQ957/63-N	259401	259402	259403	259404



Hanging cable channel for MOBI-Q

dimensions (mm)	name	silver	anthracite	black	white
548 × 60	MK55	217971	219091	219595	220101
948 × 60	MK95	217972	219092	219596	220102

- hanging on a connecting bar
- suitable for rigid and flexible connecting bars



Type C – manually height adjustable

tabletop depth (mm)	name	height (mm)	silver	black
700-800	EC201R	660-760	503333	503335
600	EC203R		503337	503339

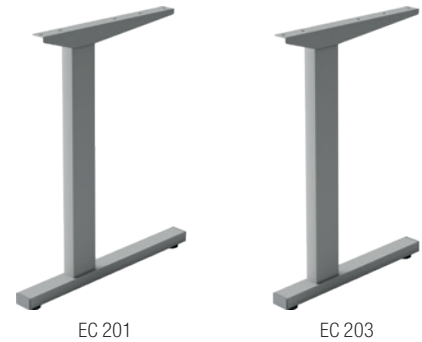
- connecting channels and accessories can be found on page 09.12
- overlap S = 38 mm (see p. 09.12 with connecting channels)
- the complete assembly consists of one pair of base and one connecting bars



Type C – fixed

tabletop depth (mm)	name	height (mm)	adjustment (mm)	silver	black
700-800	EC201	701	15	503341	503343
600	EC203			503345	503347

- connecting channels and accessories can be found on page 09.12
- overlap S = 38 mm (see p. 09.12 with connecting channels)
- the complete assembly consists of one pair of base and one connecting bars



Connecting bars

tabletop length D (mm)	name	silver	black
1000	EC201B-10	503350	503362
1200	EC201B-12	503351	503363
1400	EC201B-14	503352	503364
1600	EC201B-16	503353	503365

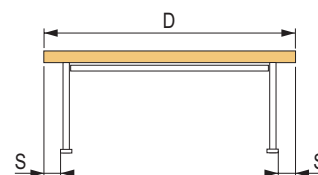
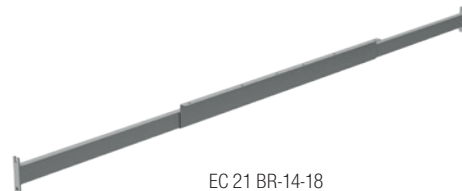
- the connecting bar length is always 166 mm shorter than the indicated tabletop length
- for use with models EC201/203 (R) only one piece of connecting bar at a time



Connecting bars with regulation

tabletop length D (mm)	name	silver	black
1000-1300	EC21BR-10-13	503373	503375
1400-1800	EC21BR-14-18	503377	503379

- the connecting bar length is always 166 mm shorter than the indicated tabletop length
- for use with models EC201/203 (R) only one piece of connecting bar at a time



D – length of the tabletop according to the selected connecting channel
 S – overlap of the tabletop over the table frame, overlap indicated for each base

STS table bases

Type C and T

tabletop depth (mm)	name	type	height (mm)	adjustment (mm)	silver	anthracite	black	white
700-800	ST201S	C	715	+15	217625	218756	219250	219756
	ST202S	T			217626	218757	219251	219757
600	ST203S	C			217627	218758	219252	219758

option of using metal channels and accessories from p. 09.14

- the base also includes a removable cover (from the outside) used, for example, as a cable duct

overlap S = 15 mm (see p. 09.14 with connecting channels)

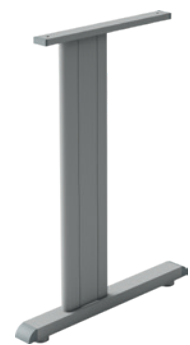
also prepared for wooden trough, connecting fittings can be found on p. 09.14



ST 201 S



ST 202 S



ST 203 S

Corner legs

type of connection	name	connecting angle	height (mm)	adjustment (mm)	silver	anthracite	black	white
wooden rim	ST201GB	90°	680	+90	217646	218777	219271	219777
connecting channel	ST201GK/90	90°			217643	218774	219268	219774

- when using a corner leg, it is necessary to select a channel for the table 200 mm shorter or a variant of the connecting channel with regulation



ST 201 GB



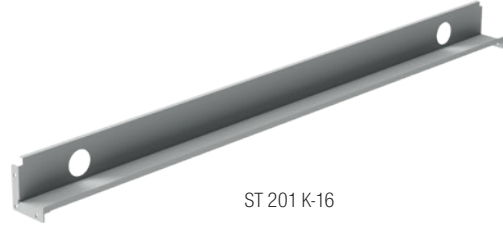
ST 201 GK



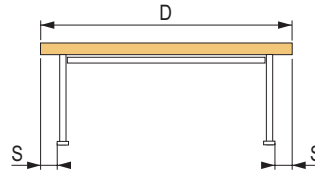
STS – connecting channels and accessories

Fixed

tabletop length D (mm)	name	silver	anthracite	black	white
800	ST201K-08	217628	218759	219253	219759
900	ST201K-09	217629	218760	219254	219760
1000	ST201K-10	217630	218761	219255	219761
1100	ST201K-11	217631	218762	219256	219762
1200	ST201K-12	217632	218763	219257	219763
1300	ST201K-13	217633	218764	219258	219764
1400	ST201K-14	217634	218765	219259	219765
1500	ST201K-15	217635	218766	219260	219766
1600	ST201K-16	217636	218767	219261	219767
1700	ST201K-17	217637	218768	219262	219768
1800	ST201K-18	217638	218769	219263	219769



ST 201 K-16



- the channel length is always 130 mm shorter than the indicated tabletop length
- designed only for bases on p. 09.13

D – length of the tabletop according to the selected connecting channel
S – overlap of the tabletop over the table frame, overlap indicated for each base

With regulation

tabletop length D (mm)	name	silver	anthracite	black	white
1400–1800	ST201KR 14 - 18	217639	218770	219264	219770
1800–2200	ST201KR 18 - 22	217640	218771	219265	219771

- the channel length should be 130 mm shorter than the indicated tabletop length
- designed only for bases on p. 09.13

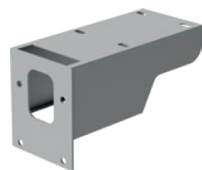


ST201KR 14 - 18

Support

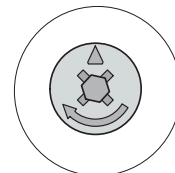
name	silver	anthracite	black	white
ST201KW	217641	218772	219266	219772

- length: 197 mm
- it is used for small table constructions instead of a connecting channel or wooden rim
- when using a support, it is necessary to take into account the deteriorated stability of the table
- designed only for bases on p. 09.13



Connecting fittings for wooden rim

code	name	for thickness of the panel (mm)	number (pcs) for complete set
352557	cam screw-in dowel M6	×	6
229902	cam for connecting fittings	15 / 16	
518086		18 / 19	



ST table bases

Height adjustable + connecting bars

tabletop depth (mm)	name	type	height (mm)	adjustment (mm)	silver	anthracite	black	white
700-800	ST227	C	715	+15	217678	218809	219303	219809
	ST226	T			217677	218808	219302	219808

connecting channels and accessories can be found on p. 09.16

- overlap S = 5 mm (see p. 09.16 with connecting channels)
- very strong and stable type of base with removable inner covers (attached by magnets)



ST 226



ST 227



ST 227/60

Type C – manually height adjustable

tabletop depth (mm)	name	type	height (mm)	silver	anthracite	black	white
700-800	ST227R	C	650-850	217684	218815	219309	219815
	ST226R	T		217683	218814	219308	219814

connecting channels and accessories can be found on p. 09.16

- overlap S = 5 mm (see p. 09.16 with connecting channels)
- height adjustment is locked with screws
- very strong and stable type of base with removable inner covers (attached by magnets)



ST 226 R



ST 227 R



ST 227 R + ST 103

ST table bases – connecting bars and channels

Connecting channel

tabletop length D (mm)	name	silver	anthracite	black	white
800	ST951/08	217763	218898	219388	219894
1000	ST951/10	217764	218899	219389	219895
1200	ST951/12	217765	218900	219390	219896
1400	ST951/14	217766	218901	219391	219897
1500	ST951/15	217767	218902	219392	219898
1600	ST951/16	217768	218903	219393	219899
1700	ST951/17	217769	218904	219394	219900
1800	ST951/18	217770	218905	219395	219901

- the channel length is always 150 mm shorter than the indicated tabletop length
- when using a corner leg, it is recommended to select a connecting channel with adjustment



ST 951/16

With regulation

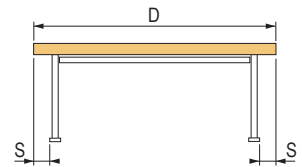
tabletop length D (mm)	name	silver	anthracite	black	white
800 – 1200	ST951	217771	218906	219396	219902
1300 – 1800	ST952	217772	218907	219397	219903
1900 – 2200	ST954	217773	218908	219398	219904

- the channel length is always 150 mm shorter than the indicated tabletop length



ST 952

D – length of the tabletop according to the selected connecting channel
 S – overlap of the tabletop over the table frame, overlap indicated for each base



Corner leg for 90° angle

name	leg (mm)	silver	anthracite	black	white
ST502+ST955/4 × 90°	50 × 50 height 715–730	342186	353369	394254	394255

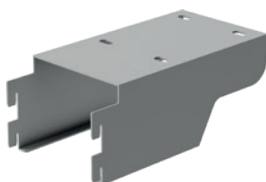


ST 502

Support

length (mm)	name	silver	anthracite	black	white
196	ST953	217774	218909	219399	219905

- used for small table frames instead of a connecting channel
- when using a support, it is necessary to take into account the deteriorated stability of the table



STE table bases

Type C and T – fixed

tabletop depth (mm)	name	type	height (mm)	adjustment (mm)	silver	black	white
700–800	ST201E	C	715	+15	217647	219272	219778
	ST202E	T			217648	219273	219779
600	ST203E	C			217649	219274	219780

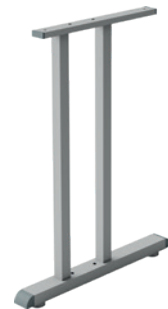
- only for wooden rim and fill from LDF (laminated)



ST 201 E



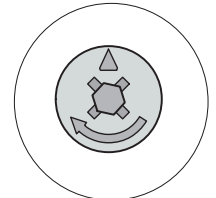
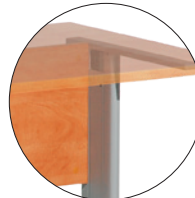
ST 202 E



ST 203 E

Connecting fittings for wooden rim

code	name	for tabletop thickness (mm)	quantity (pcs)
352557	cam screw-in dowel M6	×	6
229902	connecting fittings cam	15 / 16	
518086		18 / 19	



Base with the possibility of folding the tabletop

code	name	height (mm)	adjustment (mm)	colour
218096	ST847MU (with castors and brake)	715	×	silver

- suitable for tabletops with max. dimensions 1,100 × 700 mm up to 1,600 × 800 mm
- the folding mechanism can only be locked in two positions - horizontally and vertically



ST847MU



Table trough clip and table partition

dimensions (mm)	name	silver	black
148 × 250	ST313/1	217824	219449
120 × 90	LN 3801	349148	349211

- 2 pcs of support are needed for attaching the panel
- serves to hold the divider between desks



217824



349148

Keypad drawer with slide and mouse pad

code	colour
92100	black
92101	grey

- dimensions: 560 × 370 mm



Accessories for PC

code	name	dimensions (mm)	colour
217827	ST103	210 × 475 × 595	silver
217828	ST103R	210 × 475 × 405-580	silver

- 217827 fixed, 217828 adjustable



217827



217828

Trolley for PC cabinets

code	description
103198	grey plastic

- max. inner width: 260 mm
- min. inner width: 150 mm
- length: 300 mm

code	name	dimensions (mm)	colour
217825	ST101	210 × 475 × 115	silver



103198



217825

EX decorative and central table legs

Three-arm

code	name	colour	maximum panel dimensions, thickness 18 mm	height (mm)	weight (kg)
403027	EX 72080-3	black	Ø 1200	720	14

- matching bases can be found on p. 08.23
- detailed technical parameters can be found on the online portal www.demos24plus.com



Four-arm

code	name	colour	maximum panel dimensions, thickness 18 mm	height (mm)	weight (kg)
403031	EX 72080-4	black	Ø 1200 1000 × 1000	720	19

- matching bases can be found on p. 08.23
- detailed technical parameters can be found on the online portal www.demos24plus.com



Central table leg Strong 450 × 450 mm

code	colour	height (mm)	max. tabletop dimensions (mm)	weight (kg)
275179	brushed stainless steel	730	850 × 850	15
351389		1 100	600 × 600	16,3
356739	black	732	800 × 800	17,1
356740	grey			

- adjustment + 4 mm
- bottom part made from solid steel + stainless steel cover
- package by pieces (3 packages)
- the stated maximum tabletop dimensions are for 18 mm thickness and these dimensions are at the table's stability limit
- legs from 70 × 70 mm profile
- individual parts made of solid steel
- the stated maximum tabletop dimensions are for 18 mm thickness and these dimensions are at the table's stability limit

ⓘ central table legs are not suitable for use in assemblies one next to another (a risk of height misalignment of top tabletops)



275179, 351389



356739, 356740

Strong central table leg, Ø 450 mm

code	colour	height (mm)	max. tabletop dimensions (mm)	weight (kg)
356737	black	732	Ø 800	13
356738	grey			

- leg from profile Ø 60 mm
- individual parts made of solid steel
- the stated maximum tabletop dimensions are for 18 mm thickness and these dimensions are at the table's stability limit



StrongLegs central table legs

Double table leg

code	colour	height (mm)	max. tabletop dimensions (mm)	weight (kg)	adjustment (mm)
275180	stainless steel brushed	730	1 400 × 900	25	+ 4
351390		1100	1 200 × 700	27,5	
349276		732	1600 × 800	33	*
349245					

- package by pieces (3 packages)
- the stated maximum tabletop dimensions are for 18 mm thickness and these dimensions are at the table's stability limit
- individual parts made of solid steel



275180, 351390

349276, 349245

BM 025

code	colour	height (mm)	base (mm) (leg)	maximum panel dimensions, thickness 18 mm (mm)	weight (kg)
144338	black RAL 9005	720	Ø 430 (Ø 76)	Ø 800	18
144337	grey RAL 9006				
221701	black RAL 9005		Ø 600 (Ø 76)	Ø 900	22
229895	grey RAL 9006				

- can also be produced in any other RAL colour
- for this leg, it is also possible to use an adapter for gluing a glass tabletop (adapter order code is 160042)
- the leg can be shortened as required
- the bottom base is made of cast iron and its surface has a rough structure
- 1,100 mm height available on the online portal www.demos24plus.com



BM 012

code	colour	height (mm)	base (mm) (leg)	maximum panel dimensions, thickness 18 mm (mm)	weight (kg)
85325	black RAL 9005	720	Ø 400 (Ø 76)	Ø 750	19
85326	grey RAL 9006				
85327	chrome				
144323	black RAL 9005		Ø 550 (Ø 76)	Ø 1 100	23
144322	grey RAL 9006				

- can also be produced in any other RAL colour
- for this leg, it is also possible to use an adapter for gluing a glass tabletop (adapter order code is 160042)
- the leg can be shortened as required
- the bottom base is made of cast iron and its surface has a rough structure
- 1,100 mm height available on the online portal www.demos24plus.com



ⓘ central table legs are not suitable for use in assemblies one next to another (a risk of height misalignment of top tabletops)

central table legs

BM 030

code	colour	height (mm)	base (mm) (leg)	maximum panel dimensions, thick- ness 18 mm (mm)	weight (kg)
144362	black RAL 9005	720	430 × 430 (Ø 76)	800 × 800	17

- can also be produced in any other RAL colour
- for this leg, it is also possible to use an adapter for gluing a glass tabletop (adapter order code is 160042)
- the leg can be shortened as required
- the bottom base is made of cast iron and its surface has a rough structure
- 1,100 mm height available on the online portal www.demos24plus.com



BM 013

code	colour	height (mm)	base (mm) (leg)	maximum panel dimensions, thick- ness 18 mm (mm)	weight (kg)
85372	black RAL 9005	720	600 × 420 (Ø 76)	1 000 × 600 (Ø 800)	23

- can also be produced in any other RAL colour
- for this leg, it is also possible to use an adapter for gluing a glass tabletop (adapter order code is 160042)
- the leg can be shortened as required
- the bottom base is made of cast iron and its surface has a rough structure
- 1,100 mm height available on the online portal www.demos24plus.com



BM 010

code	colour	height (mm)	base (mm) (leg)	maximum panel dimensions, thick- ness 18 mm (mm)	weight (kg)
85373	black RAL 9005	720	800 × 420 (2 × Ø 76)	1 600 × 800	36
97931	chrome				

- can also be produced in any other RAL colour
- for this leg, it is also possible to use an adapter for gluing a glass tabletop (adapter order code is 160042)
- the leg can be shortened as required
- the bottom base is made of steel sheet metal with a final finish
- 1,100 mm height available on the online portal www.demos24plus.com



BM 029

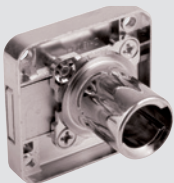


code	colour	height (mm)	base (mm) (leg)	maximum panel dimensions, thick- ness 18 mm (mm)	weight (kg)
84003	black RAL 9005	720	430 × 430	800 × 800	19
144358	black RAL 9005	1 100	(80 × 80)	700 × 700	22

- can also be produced in any other RAL colour
- the bottom base is made of cast iron and its surface has a rough structure
- the leg can be shortened as required
- 1,100 mm height available on the online portal www.demos24plus.com



❗ central table legs are not suitable for use in assemblies one next to another (a risk of height misalignment of top tabletops)

Strong locks

	<p>locks with replaceable insert</p>	<ul style="list-style-type: none"> drawer lock 09.23 cabinet lock with cam 09.24 sliding door lock 09.25 push lock 09.25 extending bar lock 09.26 espagnolette lock 09.26 knob 09.27 glass door lock 09.27 central lock 09.28 inserts 09.29
	<p>locks with integrated insert</p>	<ul style="list-style-type: none"> drawer lock 09.30 push lock 09.31 glass door lock 09.31 coin lock 09.31 extending bar lock 09.32 espagnolette lock 09.32 central lock 09.33
	<p>locks electronic lock</p>	<ul style="list-style-type: none"> chip locks 09.34 with keypad and card 09.34 fingerprint lock 09.35 lock with keypad 09.35

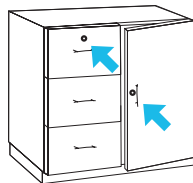
StrongLocks locks with replaceable insert

- locking system where the lock and the replaceable cylinder insert need to be ordered as individual items
- thanks to the replaceable cylinder insert, it is possible to choose identical or different key combinations
- up to 1,500 different key combinations in stock
- this system includes master and removal keys
- cylinder diameter: 18 mm

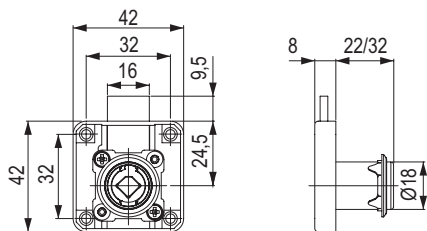
Drawer lock

code	orientation	cylinder length (mm)	surface treatment
403221	right	22	chrome
403222	left		
403223	centre		
403224	right	32	
403225	left		
403226	centre		

- the set includes lock and rosette
- ❗ a replacement insert must be purchased additionally, see p. 09.29



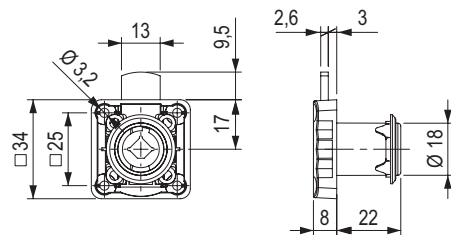
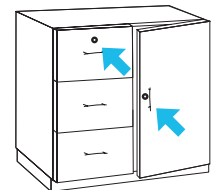
TIP: use one or more 403227 spacers for use in thin materials



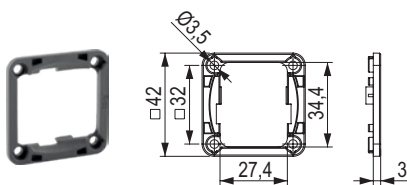
Drawer lock with plastic housing

code	orientation	cylinder length (mm)	surface treatment
403539	centre	22	plastic

- the set includes lock and rosette
- ❗ a replacement insert must be purchased additionally, see p. 09.29



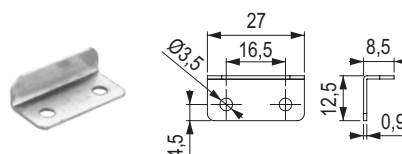
Washer for drawer lock



code	description
403227	plastic

- the spacer is stackable

Corner stop 27 mm



code	description
134636	nickel

- ❗ further corner stops p. 09.62

Replaceable insert



Replaceable insert

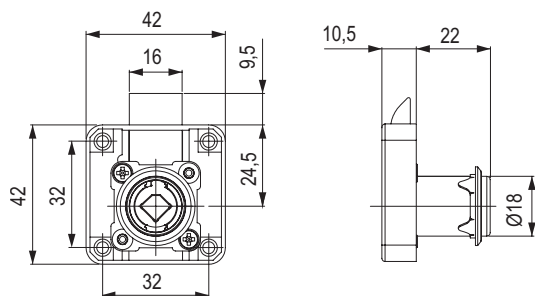
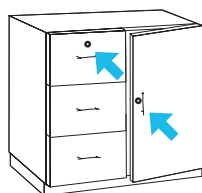
p. 09.29

StrongLocks locks with replaceable insert

Slam lock

code	orientation	cylinder length (mm)	surface treatment
403228	centre	22	chrome

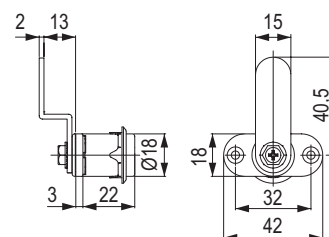
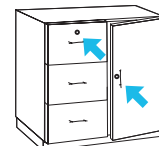
- when inserting or removing the cylinder insert, it is necessary to push the tongue into the lock (unlocked position)
- the set includes lock, rosette and striker plate
- ❗ a replacement insert must be purchased additionally, see p. 09.29



Cabinet lock with cam

code	orientation	cylinder length (mm)	surface treatment
403239	right	22	chrome

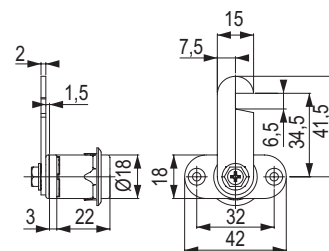
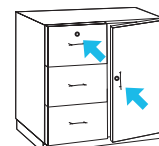
- the set includes lock, rosette and striker plate
- ❗ a replacement insert must be purchased additionally, see p. 09.29



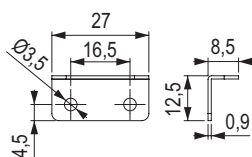
Cabinet lock with hook cam

code	orientation	cylinder length (mm)	surface treatment
403240	right	22	chrome

- the set includes lock, rosette and striker plate
- ❗ a replacement insert must be purchased additionally, see p. 09.29



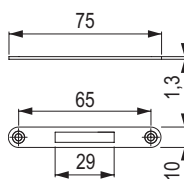
Corner stop 27 mm



code	description
134636	nickel

📄 further corner stops p. 09.41

Striker plate mortise-fit



code	description
223468	nickel, length: 75 mm

Replaceable insert



Replaceable insert

p. 09.29

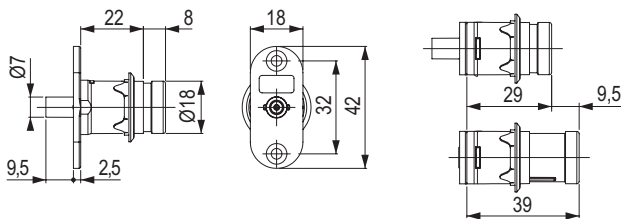
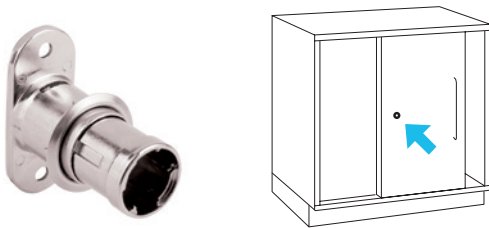
StrongLocks locks with replaceable insert



Push lock with tailpiece

code	orientation	cylinder length (mm)	surface treatment
403232	right	22	chrome

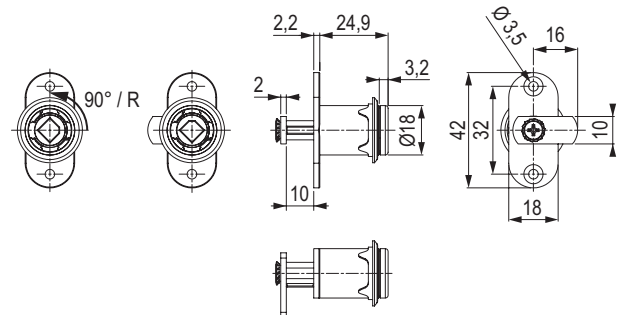
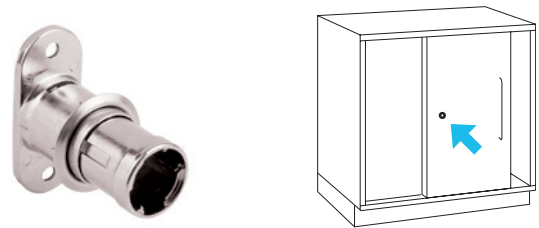
- the set includes lock, rosette and striker plate
- ❶ a replacement insert must be purchased additionally, see p. 09.29



Push lock with hooked cam

code	orientation	cylinder length (mm)	surface treatment
403233	right	22	chrome

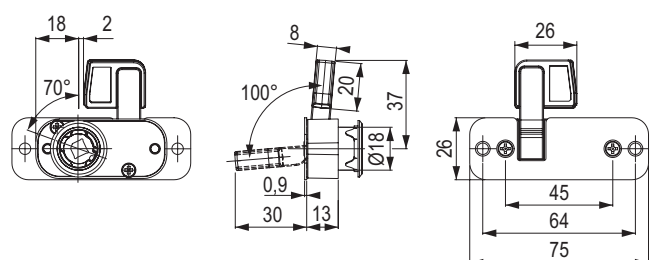
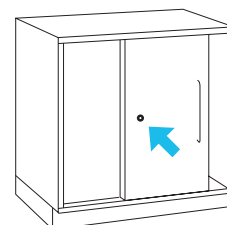
- the set includes lock, rosette and striker plate
- ❶ a replacement insert must be purchased additionally, see p. 09.29



Sliding door lock

code	orientation	cylinder length (mm)	surface treatment
403248	right	22	chrome

- the set includes lock, rosette and striker plate
- ❶ a replacement insert must be purchased additionally, see p. 09.29

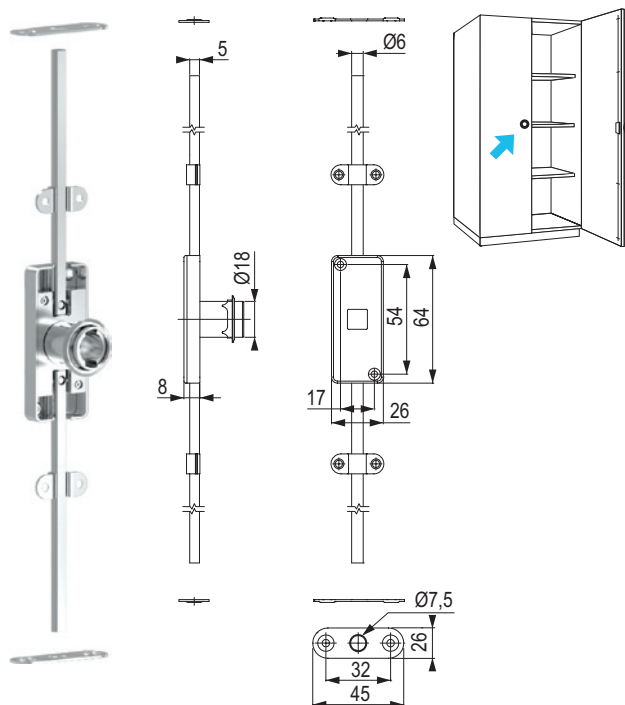


StrongLocks locks with replaceable insert

Extending bar lock

code	orientation	cylinder length (mm)	bar (mm)	surface treatment
403603	right	22	2× 1000	chrome
403604			2× 1200	
403605			1× 1000 1× 1200	

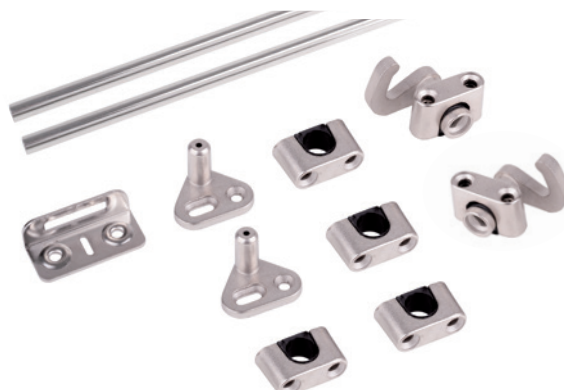
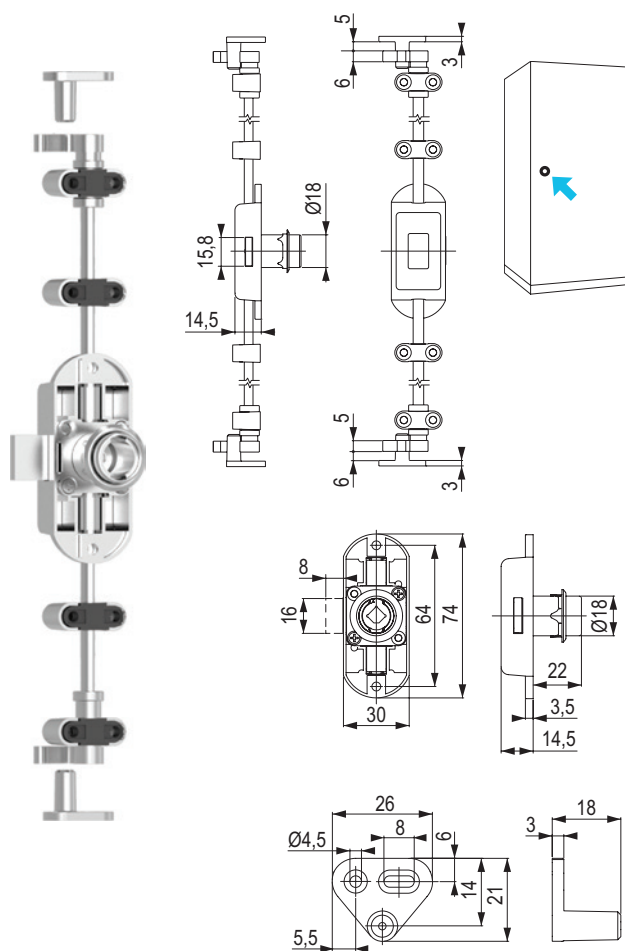
- the set includes: lock 1 pc, rosette 1 pc, bar holders 4 pcs, striker plates 2 pcs, extending bars 2 pcs, adapter for full overlay doors 2 pcs
- ❗ a replacement insert must be purchased additionally, see p. 09.29
- ❏ option of purchasing a striking stop (p. 10.60) or other striker plate preventing the opening of the second leaf



Espagnolette lock

code	orientation	cylinder length (mm)	bar (mm)	surface treatment
403606	right	22	2× 1000	chrome
403607			2× 1200	
403608			1× 1000 1× 1200	

- the set includes: lock 1 pc, rosette 1 pc, bar holders 4 pcs, bottom hook 1 pc, top hook 1 pc, pins 2 pcs, holder cover 4 pcs, striker plate 1 pc, bars 2 pcs
- ❗ a replacement insert must be purchased additionally, see p. 09.29



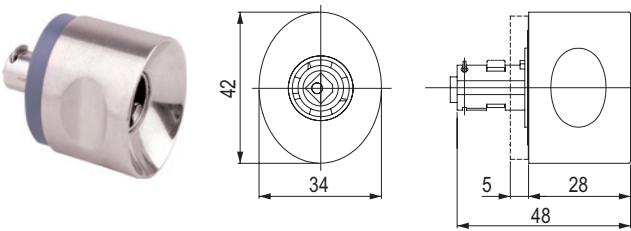
StrongLocks locks with replaceable insert



Knob

code	orientation	cylinder length (mm)	surface treatment
403247	right-left	22	chrome

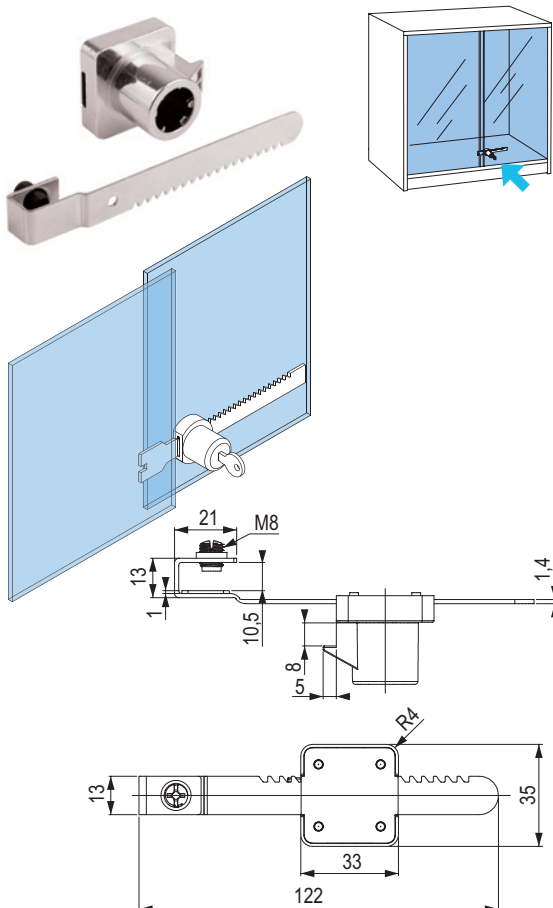
- the knob controls the cam, the knob can be locked in its current position only by turning the key (position locked/unlocked)
- the knob can be removed after removing the insert with the tool on card L00042
- ⓘ a replacement insert must be purchased additionally, see p. 09.29



Sliding glass door lock with ratchet bar

code	orientation	surface treatment	for glass thickness (mm)
403236	right	chrome	4-9

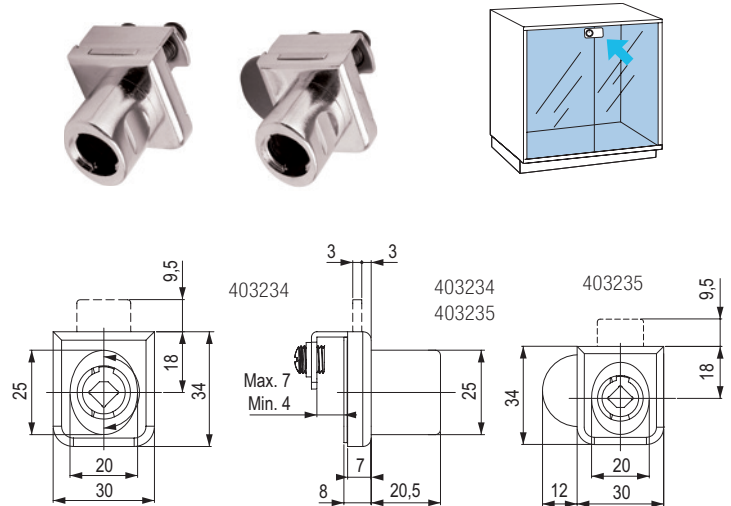
- the set includes: lock 1 pc, ratchet 1 pc
- ⓘ a replacement insert must be purchased additionally, see p. 09.29



Glass door lock attachable

code	orientation	surface treatment	for glass thickness (mm)
403234	single glass	chrome	4-7
403235	right for 2 leaves		

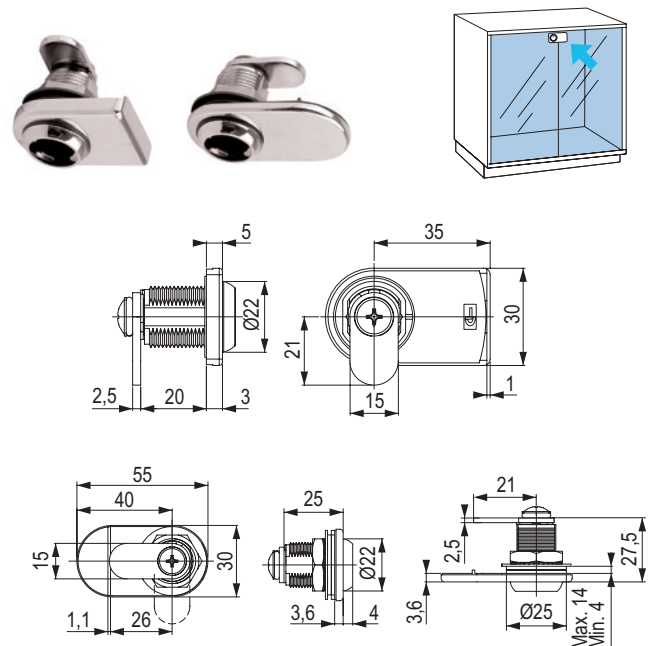
- the set includes: lock 1 pc, plastic spacer 1 pc, plastic screws 2 pcs, striker plate 1 pc
- ⓘ a replacement insert must be purchased additionally, see p. 09.29



Glass door lock

code	orientation	surface treatment	for glass thickness (mm)
403237	single glass	chrome	4-14
403238	right for 2 leaves		

- the set includes: lock 1 pc, striker plate 1 pc, set of accessories 1 pc
- drilling diameter: 26 mm
- ⓘ a replacement insert must be purchased additionally, see p. 09.29

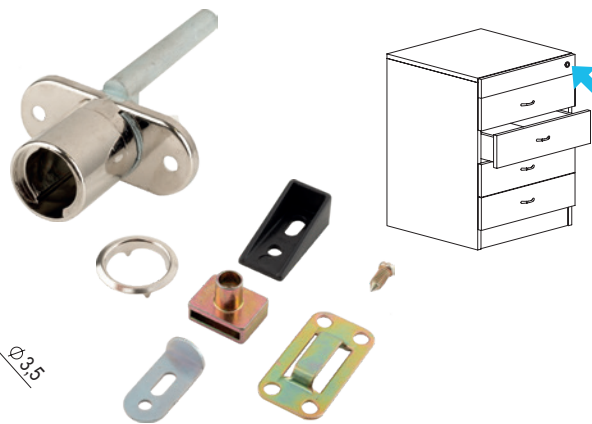
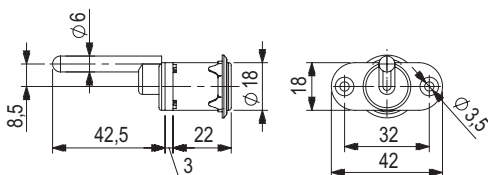


StrongLocks locks with replaceable insert

Central lock with accessories

code	orientation	cylinder length (mm)	surface treatment
403229	centre	22	chrome

- the set includes: lock 1 pc, bar holders 2 pcs, striker plates for wooden drawer 4 pcs, pins 4 pcs
- system without blocking the opening of more than one drawers
- ❗ a replacement insert must be purchased additionally, see p. 09.29
- ❗ it is necessary to purchase a locking bar



Furniture bolt 70 mm

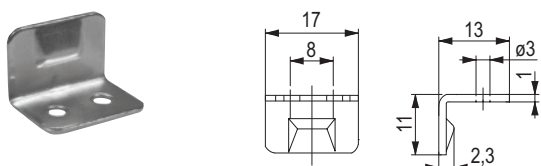


code	description
537986	nickel

❗ suitable counterpart 134636

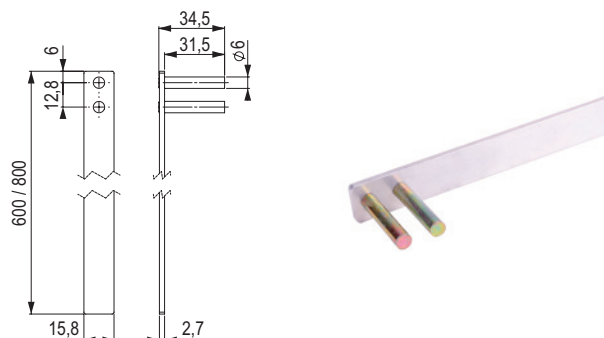
Counter plate

code	surface treatment
L00065	nickel



Locking bar

code	length (mm)
403230	600
403231	800



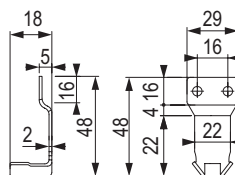
Striker plate for central lock for wooden drawer

code	description
544713	metal

- for wooden drawer
- mounting on the side of the drawer
- central lock pin slides into the bottom groove



Central lock striker plate



code	description
11299	lacquered metal

- for roll runner slides with side
- mounting on the base of the drawer

Replaceable insert

p. 09.29



With two hinged keys

Different key combinations with the master key option

code	insert number from the series
403184	S0001-S0500
403185	S0501-S1000

❗ The above-mentioned codes include only one insert with two keys from the series in description, e.g. when ordering 5 pcs of 403184, you will receive 5 randomly selected inserts from the series S0001-S0500.



Identical key combinations with the master key option

code	insert number	code	insert number
403187	S0001	403197	S0011
403188	S0002	403198	S0012
403189	S0003	403199	S0013
403190	S0004	403200	S0014
403191	S0005	403201	S0015
403192	S0006	403202	S0016
403193	S0007	403203	S0017
403194	S0008	403204	S0018
403195	S0009	403205	S0019
403196	S0010	403206	S0020

• the code is only for one combination of insert and keys, e.g. when ordering 5 pcs of 403187, you will receive 5 identical inserts with identical keys in the S0001 combination



Identical key combinations without the master key option

code	insert number
403207	S1001
403208	S1002
403209	S1003
403210	S1004
403211	S1005
403212	S1006
403213	S1007
403214	S1008
403215	S1009
403216	S1010



Different key combinations without the master key option

code	insert number from the series
403186	S1001-S1500



Master key

code	for series
403217	S0001-S0500
403218	S0501-S1000

- for unlocking all inserts from a given series
- the replaceable insert cannot be removed with this key



Removal key

code	for series
403220	S0001-S1500

- for removing the replaceable insert from the unlocked lock
- this key cannot unlock the lock



Raw key

code	for series
484907	S0001-S1500

- to create a copy of the key as needed



Strong locks with integrated cylinder insert

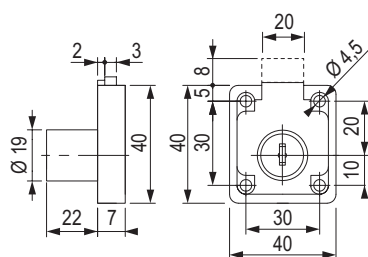
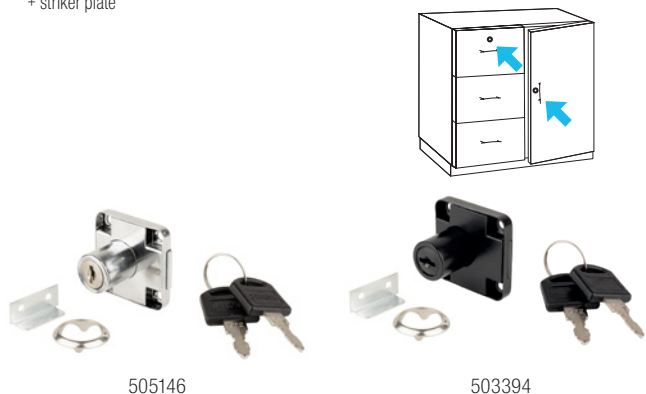
StrongLocks

- cylinder insert is integrated in the lock
- without a master key system
- the average number of different combinations is 120

Drawer lock

code	description	surface treatment
505146	various key combinations	chrome
505147	same key combinations	
505148	various key combinations - hinged key	
503394	various key combinations	black
503396	same key combinations	

- includes: lock 1 pc, keys 2 pcs, rosette 1 pc + striker plate

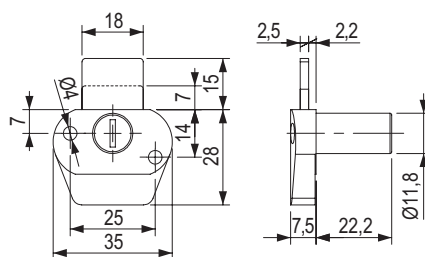
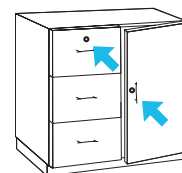


91202, 135084

Drawer lock - mini

code	description	surface treatment
505149	various key combinations	chrome
505150		black

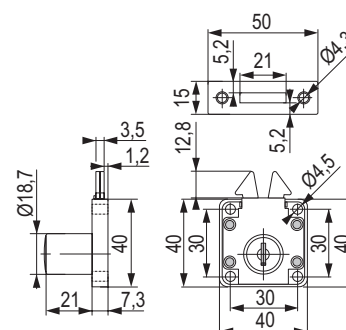
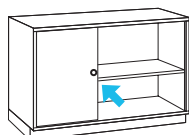
- includes: lock 1 pc, rosette 1 pc, keys 2 pcs, striker plate 1 pc, spacer 2 pcs (1 mm)



Sliding door lock

code	description
303336	chrome - various key combinations

- includes: lock 1 pc, mortise striker plate 1 pc, rosette 1 pc, keys 2 pcs

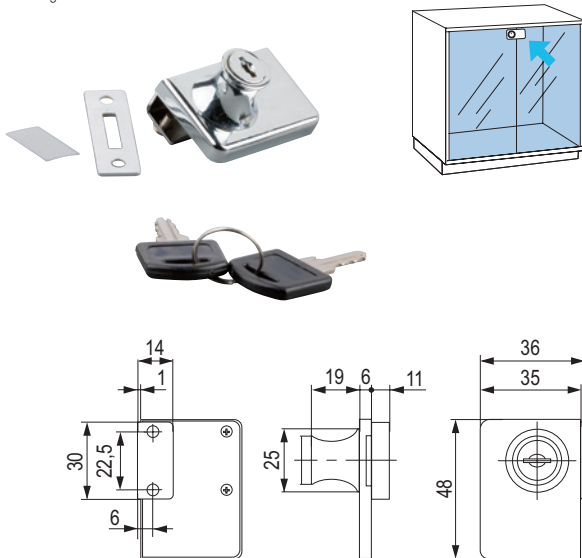


Strong locks with integrated cylinder insert

Attachable lock for two glass doors

code	description
92167	chrome – various key combinations

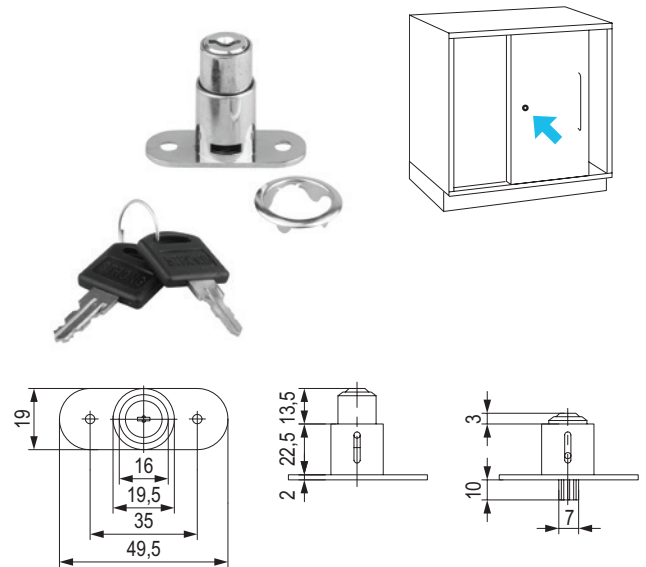
- includes: lock, M4 screws 2 pcs, plastic spacer 1 pc, striker plate for the cabinet body 1 pc, keys 2 pcs
- for glass thickness 4–8 mm



Push lock

code	description
91216	chrome – various key combinations

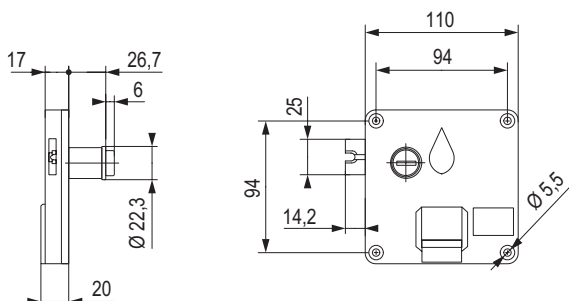
- includes: lock 1 pc, rosette 1 pc, keys 2 pcs



Coin lock

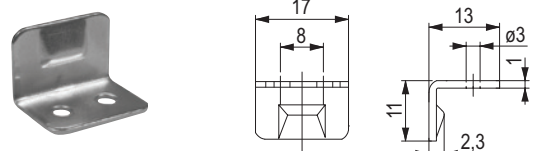
code	description
290283	right (5 CZK, 1 €, 1 Zł, 100 HUF)
285184	master key for coin lock

- up to 700 different key combinations
- only the right option
- contents of the package: lock 1 pc, key 2 pcs, coin trap 1 pc



Counter plate

code	surface treatment
L00065	nickel

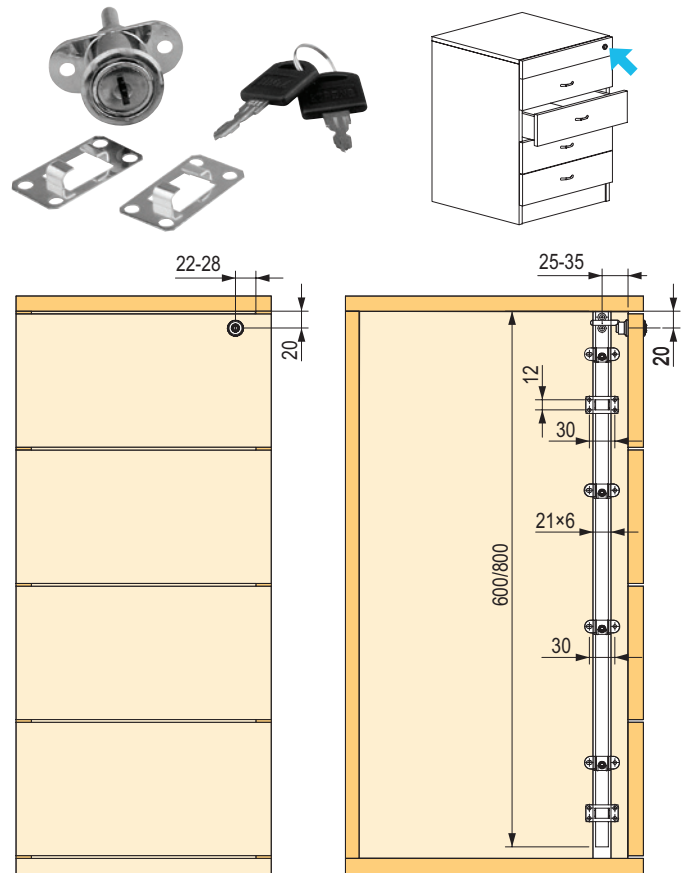
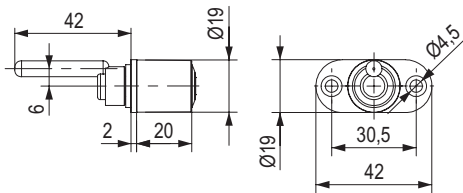
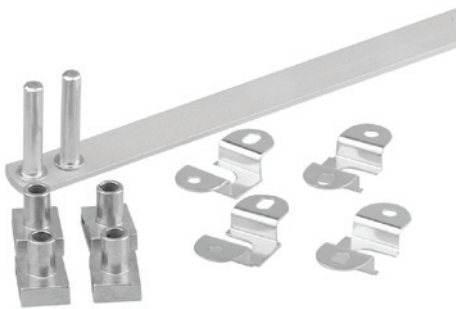


Strong locks with integrated cylinder insert

Central lock

code	description
91201	lock with bar 600 mm, chrome
303335	lock with bar 800 mm, chrome

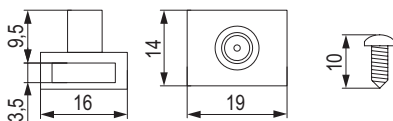
- includes: lock, rosette 1 pc, bar clips 2 pcs, additional dowel pins 12 mm with securing screws 4 pcs, bar 600 mm/800 mm 1 pc, key 2 pcs, drawers counterparts 4 pcs
- this lock does not have a blocking function to prevent opening of more than one drawer
- the locking bar must be milled into the cabinet body



Additional adjustable pin

91214	9 mm
-------	------

- the package includes a separate adjustable pin and a screw (they do not have to be connected)



Striker plate for central lock for wooden drawer

code	description
544713	metal

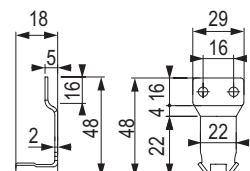
- for wooden drawer
- mounting on the side of the drawer
- central lock pin slides into the bottom groove



Central lock striker plate

11299	lacquered metal
-------	-----------------

- for roll runner slides with a side (Metabox)
- mounting on the base of the drawer



StrongLocks electronic lock

Chip/card lock

- mounting on the inside of the door
- the lock does not interfere with the design of the furniture
- easy switching between modes:
 - manual – the lock is locked by using the card
 - automatic – the lock is locked automatically after 6 seconds
- the lock operates at Mifare 13.56 MHz frequency

Programming instructions



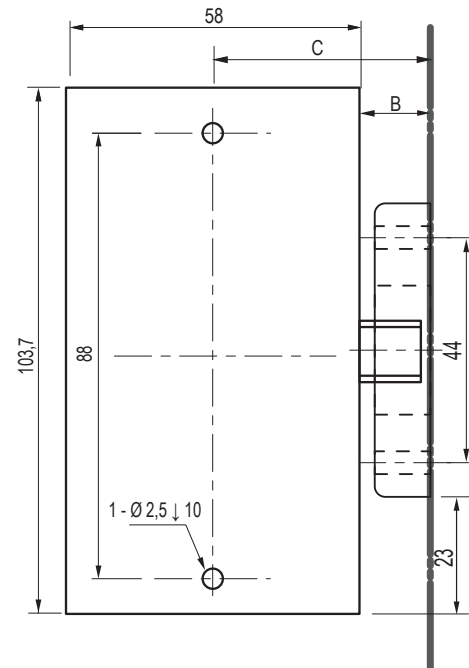
521205

code	description
521205	Mifare 13.56 MHz electronic chip lock
404836	card for lock
534098	key fob
544507	handleless opening system

- possibility to use one user card for multiple locks
- one lock can be used for up to 50 different user cards (e.g. 1 × master card and 49 user cards)
- one master card can be used for X locks
- one user card can be used for X locks
- the lock remembers the card, not the card the lock
- in the event of low batteries, the lock cannot be opened in case of emergency
- simple and quick assembly
- programmable without the need to disassemble the lock
- power supply: 3 pcs of AA batteries (not included in the package)
- tested battery life of min. 10,000 openings (depending on batteries used)
- integrated antenna in the body of the lock
- optimal for boards with thickness up to 20 mm
- low battery voltage indicator
- signalisation by a long beep sound when the card is held over the reader
- we recommend replacing the batteries at shorter intervals
- using only high-quality alkaline batteries
- installing locks at least 20 cm apart
- package: programming card 1 pc, user cards 2 pcs, lock 1 pc, striker plate 1 pc



544507

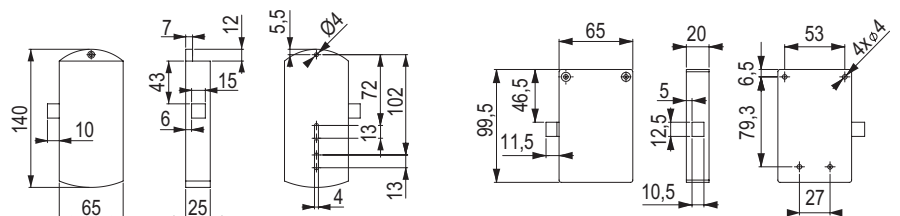
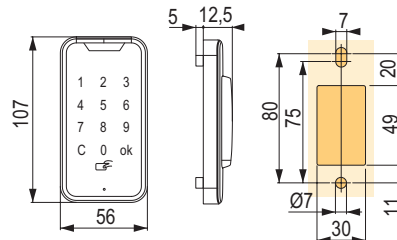


Chip card lock with keypad

code	orientation
403647	right-left

code	description
404836	chip card

- possibility to open with code or card
- Mifare technology
- **the lock can work in FIX or FREE (public) mode**
- USB connector for emergency power supply in case of battery depletion
- 4 × AA batteries (not included in the package)
- **FAKE PIN technology** – to confuse any unwanted user. Enter any numbers before entering the lock code, then enter the unlock code. This will significantly impair the ability to gain access to unlock alarm goes off after the fourth incorrect entry
- package includes: keypad 1 pc, lock 1 pc, cable 1 pc, screws 6 pcs, cam 1 pc, chip cards 3 pcs



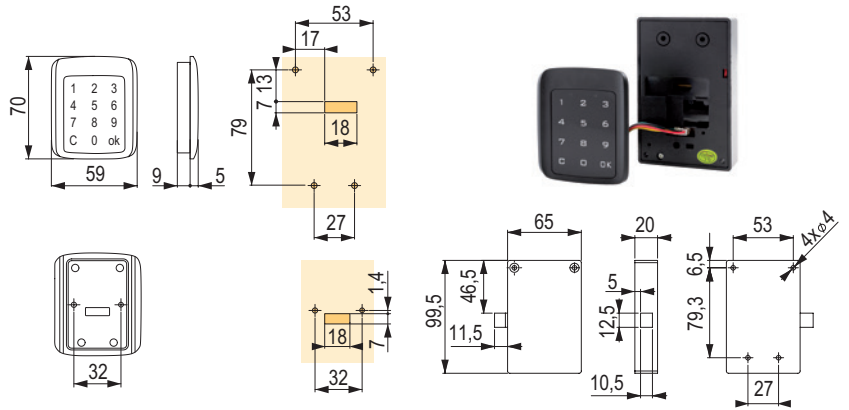
StrongLocks electronic locks



Lock with keypad

code	orientation
403645	right-left

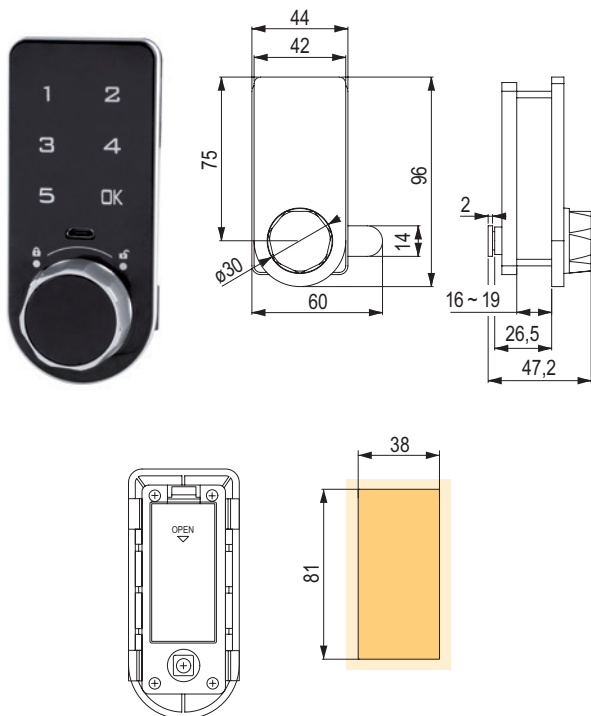
- 3 × AA batteries (not included in the package)
- password: 4–15 characters
- **FAKE PIN technology** – to confuse any unwanted user. Enter any numbers before entering the lock code, then enter the unlock code. This will significantly impair the ability to gain access to unlock
- alarm goes off after the fourth incorrect entry
- **the lock can work in FIX or FREE (public) mode**
- USB connector for emergency power supply in case of battery depletion
- package includes: keypad 1 pc, lock 1 pc, cable 1 pc, striker plate 1 pc, screws 9 pcs



Electronic knob lock with keypad

code	orientation
403650	right

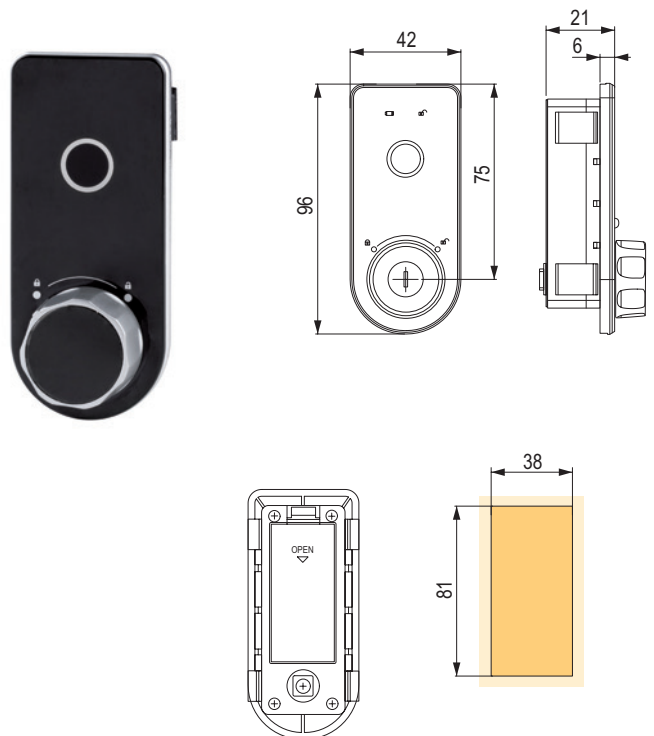
- by entering the code the lock is unlocked, then the knob can be turned
- the password consists of 4–15 characters
- 2 × AAA batteries (not included in the package)
- **FAKE PIN technology** – to confuse any unwanted user. Enter any numbers before entering the lock code, then enter the unlock code. This will significantly impair the ability to gain access to unlock
- alarm goes off after the fourth incorrect entry
- package includes: lock 1 pc, cam 1 pc, adapter for mounting into wood 1 pc, screws 4 pcs, reset cable 1 pc, striker plate 1 pc
- USB connector for emergency power supply in case of battery depletion
- the lock has a concealed hole for emergency unlocking – master key on request
- the lock can also be installed on sheet metal – drawing at www.demos-trade.com



Fingerprint lock with knob

code	orientation
403652	right

- by pressing the finger the lock is unlocked, then the knob can be turned
- 2 × AAA batteries (not included in the package)
- alarm goes off after the fourth incorrect entry
- package includes: lock 1 pc, adapter for mounting into wood 1 pc, screws 4 pcs, cam 1 pc, striker plate 1 pc, disassembly stick for removing the cover cap of the master key hole 1 pc
- the lock has a concealed hole for emergency unlocking – master key on request
- the lock can also be installed on sheet metal – drawing at www.demos-trade.com





mechanical locks

central lock	09.37
drawer lock	09.40
cabinet lock	09.42
extending bar lock	09.44
espagnolette lock	09.46
tambour door lock	09.48
sliding door lock	09.49
push lock	09.50
glass door lock	09.50
knob	09.52
inserts	09.53
coded	09.55
coin lock	09.58
sheet metal door lock	09.59



electronic lock locks

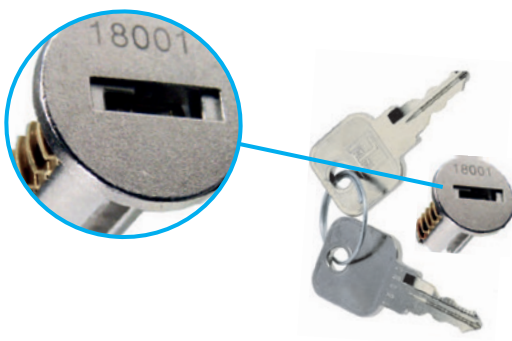
Captura	09.60
---------	-------

Main advantages of the Lehmann locks

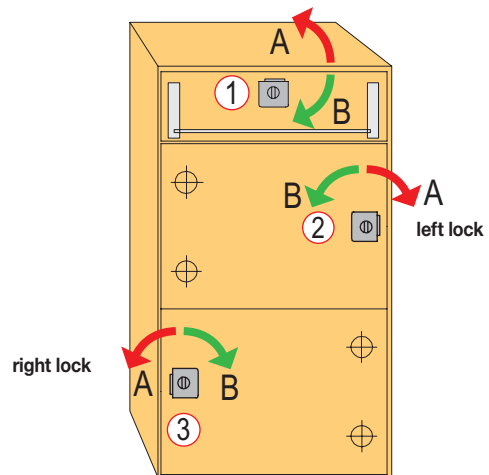
- high-quality workmanship
- **made in Germany**
- usual production time of items not in stock: 3-4 weeks
- wide assortment of locks including special solutions

Replaceable inserts

- we offer 1,000 different key combinations in stock, **more on demand**
- the option of assembling groups of locks with the same key
- master key system



centre lock



Example of lock orientation:

- 1 - centre lock
- 2 - left lock
- 3 - right lock
- A - locking
- B - unlocking

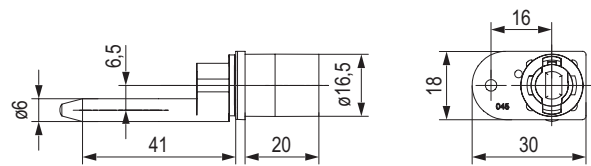
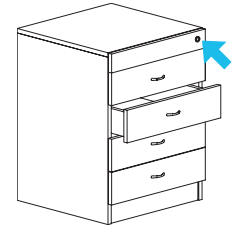
Lehmann locks with replaceable insert

Central container lock 421

code	orientation	cylinder length (mm)	surface treatment
L00010	right	20	nickel

A functioning complete set must include:

- rosette 16.5 mm, 1 pc
- bar according to the length, 1 pc
- bar guide, 2 pcs
- pin for the bar (depending on the number of drawers), 1-2 pcs
- striker plate (depending on the number and type of drawers), 1-2 pcs
- bar lock + pin 17 mm + spacer (for the option with blocking the opening of more than one drawer)
- replaceable insert 1 pc(p. 09.53)
- the bar must be milled-in
- for BBP pedestals a different type of lock must be used (L00087 or 122965) in combination with bar SVS3 - see p. 09.85

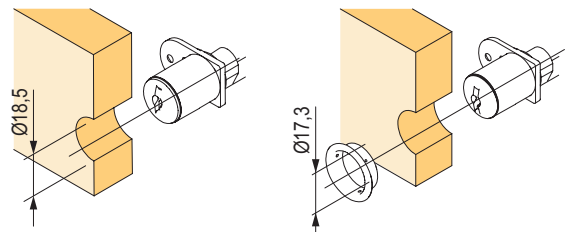


- complete office pedestal solutions including drawers and locking system can be found from p. 09.69

Lock for 4 drawers (complete set)

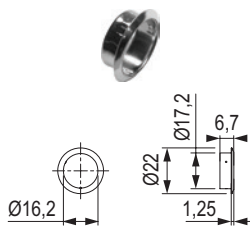
code	description
136178	complete set for container with 4 drawers

- includes lock 1 pc, rosette 1 pc, bar 600 mm 1 pc, guide 3 pcs, pin 17 mm 5 pcs, socket striker plate 4 pcs, bar lock in top position 1 pc, spacer under lock 1 pc
- a removable insert must be supplied as required



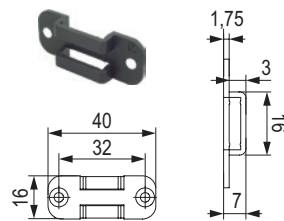
Rosette 16.5 mm

code	description
L00066	nickel



Bar guide

code	description
L00014	black plastic



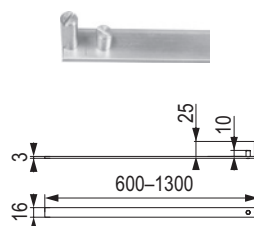
Replaceable insert

p. 09.55



Bar

code	description
L00011	steel, length 600 mm
L00012	steel, length 800 mm
L00013	steel, length 1,300 mm



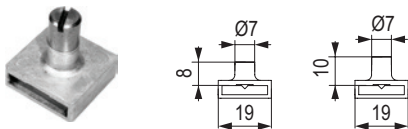
Lehmann locks with replaceable insert

Accessories for container without interlock system

Pins for the bar

code	description
L00025	height: 8 mm, nickel
374832	height: 10 mm, nickel

- the package includes a separate pin and a screw (not necessarily assembled)
- the pin L00025 and 374832 is most commonly used for blocking individual drawers



Striker plate for central lock for wooden drawers

code	description
544713	metal

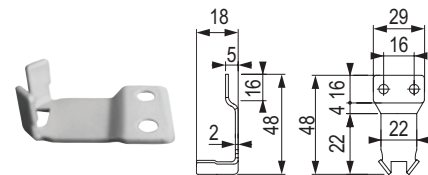
- for wooden drawer
- mounting on the side of the drawer
- central lock pin slides into the bottom groove



Striker plate for central lock for central lock

code	description
11299	lacquered metal

- for roll runner slides with a side (Metabox)
- only for locking
- mounting on the base of the drawer

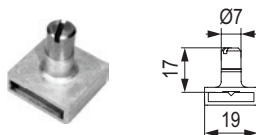


Accessories for container with interlock system

Pins for the bar

code	description
L00018	height: 17 mm, nickel

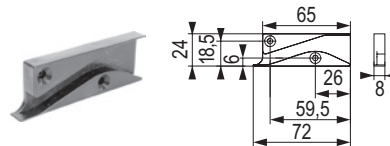
- the pin L00018 is used for blocking the opening of more than one drawer (in combination with L00015 and L00016)



Striker plate

code	description
L00017	black plastic

- cannot be used for Metabox
- with safety latch to prevent opening of more than one drawer



Central lock anti-tilt block

code	description
13408	plastic

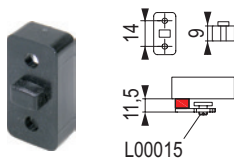
- for roll runner slides with a side (Metabox)
- for locking and blocking the opening of more than one drawer
- mounting on the base of the drawer



Spacer for bar lock

code	description
L00016	black plastic

- for offsetting the bar lock from the cabinet body so that the pin holders do not hit it in case of blocking the opening of more than one drawer



Bar lock in the top position

code	description
L00015	black plastic

- ensures that the bar is secured in top position, in case of blocking the opening of more than one drawer



Lehmann locks with replaceable insert

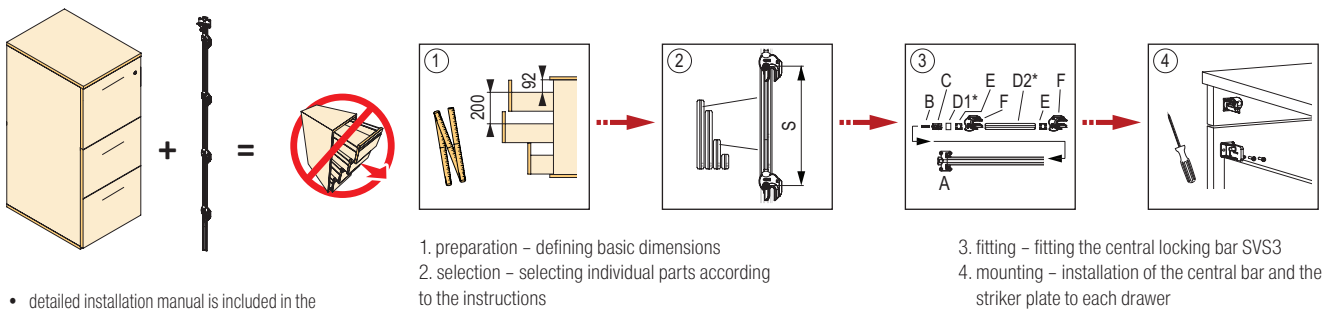
Central locking of drawers

This type of locking system is suitable for any type of slide, including slides with double side, ball bearing, roll runner slides, etc.

- a universal solution for locking any set of pull-out drawers
- the set includes a solution for locking up to 6 drawers for an inner height of the cabinet body of up to 1000 mm
- blocking the opening of more than one drawer = tipping over protection
- system ready for 32 mm grid (individually adjustable)



Installation

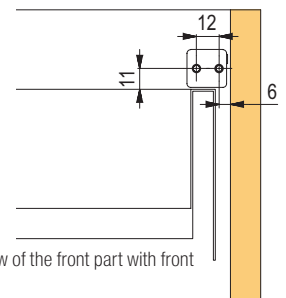
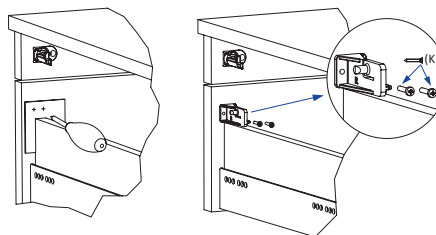


- detailed installation manual is included in the package or available for download at www.demos24plus.com

Mounting of the blocking pin

Align all the fronts and install the blocking pins.

1. select the template appropriate for the drawer type
2. mark the position for screwing on the blocking pins.
3. fasten the blocking pins with screws



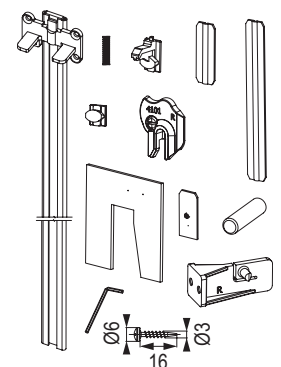
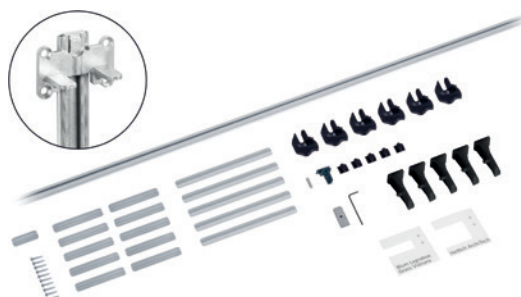
Mounting of locking pin without template

Mark the blocking pin according to the picture

code	description
353589	SVS3 universal packet

① the set must be completed with:

- lock L00087
- rosette L00066
- cylinder insert - see p. 09.53
- universal solution for any drawer
 - Strongbox, StrongMax, Antaro, Legrabox, AvantechYOU, etc.
 - for ball bearing and roll runner slides
 - for wooden drawers with concealed slide
- the bar must be milled-in
- the counterpart is installed on the inner side of the front above the side
- the package includes templates for basic types of slides with a double side

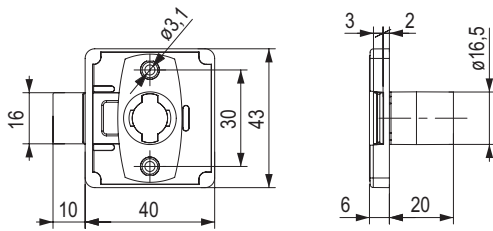
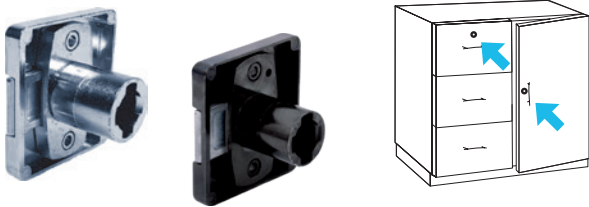


Lehmann locks with replaceable insert

Drawer lock 391

code	orientation	cylinder length (mm)	surface treatment
L00001	right	20	nickel
L00002	left		
L00003	centre		
366424	right		
385771	left	32	black
L00004	right		
L00005	left		
L00006	centre		

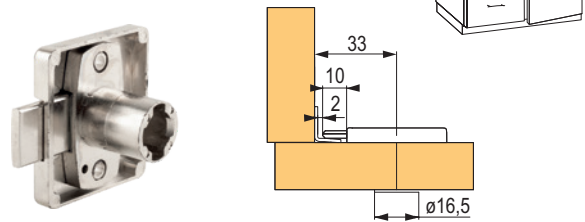
for determining the orientation of the locks see p. 09.36



Drawer lock 391 with key block

code	orientation	cylinder length (mm)	surface treatment
L00049	right	20	nickel

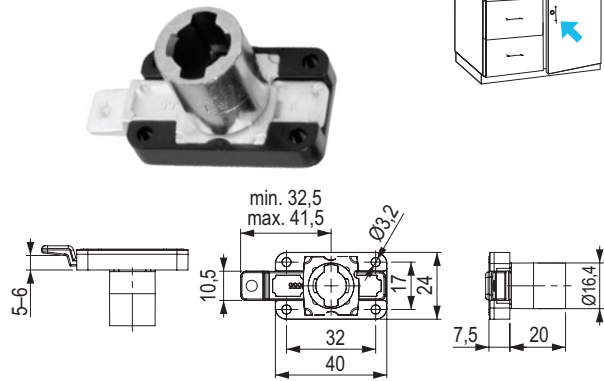
- if the key is lost, the insert cannot be removed and the whole lock must be replaced
- ⓘ the key cannot be removed while the lock is unlocked



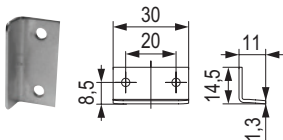
Drawer lock 430

code	orientation	cylinder length (mm)	surface treatment
122965	right	20	nickel/plastic

- primarily designed for locking of SVS bar, can be also used as a drawer lock

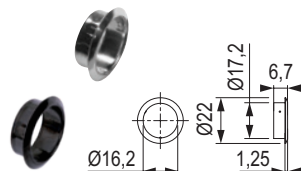


Corner striker plate 30 mm



code	surface treatment
L00007	nickel, striker plate for screwing-on

Rosette 16.5 mm



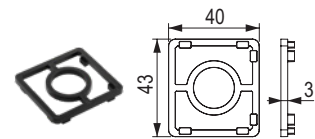
code	surface treatment
L00066	nickel
275116	black

Replaceable insert



p. 09.53

Washer for lock



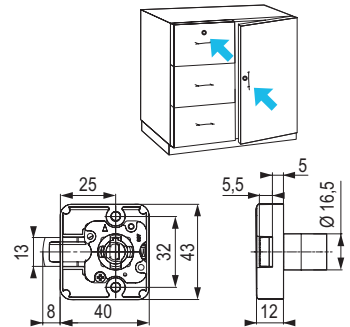
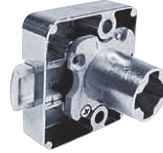
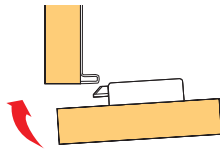
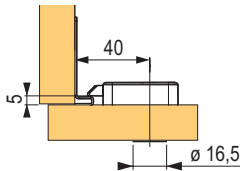
code	description
416085	spacer 3 mm for lock 391/584

for further corner stops can be found on p. 09.41

Lehmann locks with replaceable insert

Slam lock 584

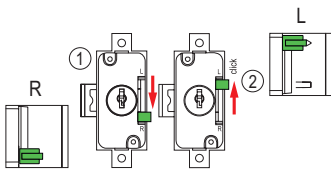
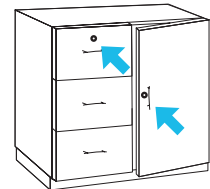
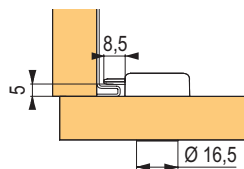
code	orientation	surface treatment
135579	right	nickel



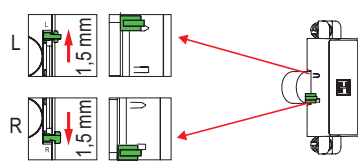
Drawer lock 550

code	orientation	cylinder length (mm)	surface treatment
L00009	right-left (switchable)	20	nickel

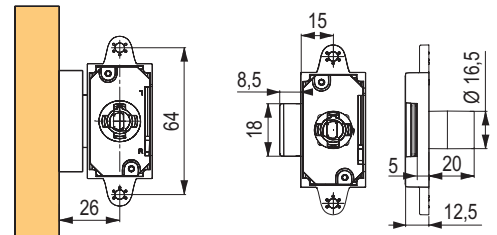
- the option to switch between left and right locking directions with option to activate key blocking



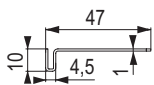
switching the locking direction



key blocking activation
(key cannot be removed from an unlocked lock)



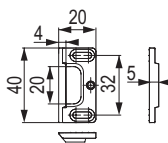
Corner stop 44 mm



code	surface treatment
L00008	nickel

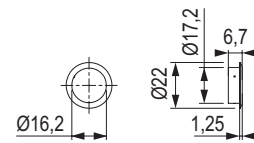
further corner stops see p. 09.80

Striker plate for lock 584



code	description
L00091	lock striker plate

Rosette 16.5 mm



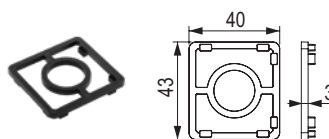
code	surface treatment
L00066	nickel

Replaceable insert



p. 09.53

Washer for lock

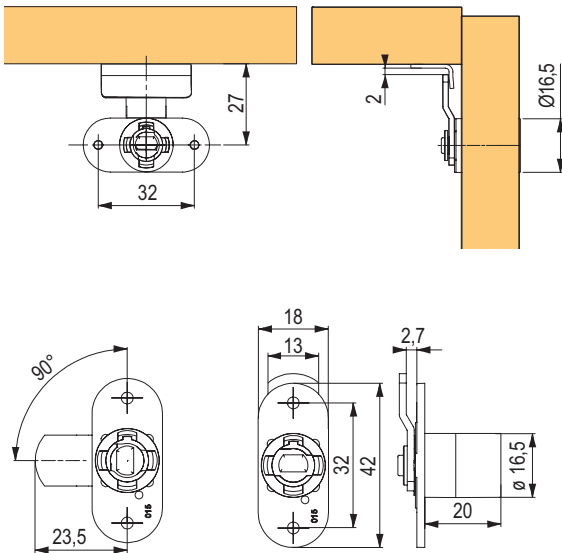
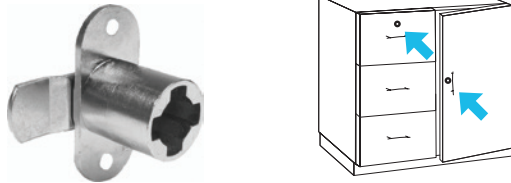


code	description
416085	spacer 3 mm for lock 391

Lehmann locks with replaceable insert

Cabinet lock 371

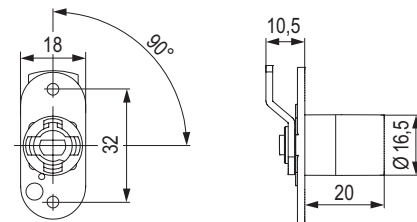
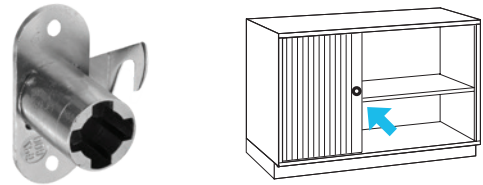
code	orientation	cylinder length (mm)	surface treatment
L00055	right	20	nickel
255589	left		



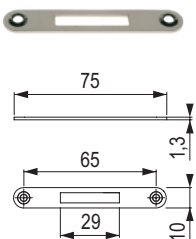
Tambour door lock 372.02

code	orientation	cylinder length (mm)	surface treatment
224510	left	20	nickel

- can be used in the Metallic-line tambour door end combi rail R92836 or R92837, see chapter 16 tambour doors

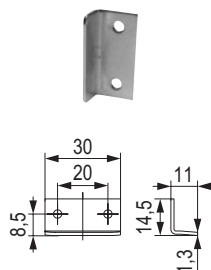


Striker plate mortise-fit



code	surface treatment
223468	nickel, length: 75 mm

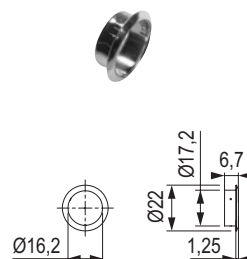
Corner striker plate 30 mm



code	surface treatment
L00007	nickel

☑ further corner stops see p. 09.41

Rosette 16.5 mm



code	surface treatment
L00066	nickel

Replaceable insert



p. 09.53

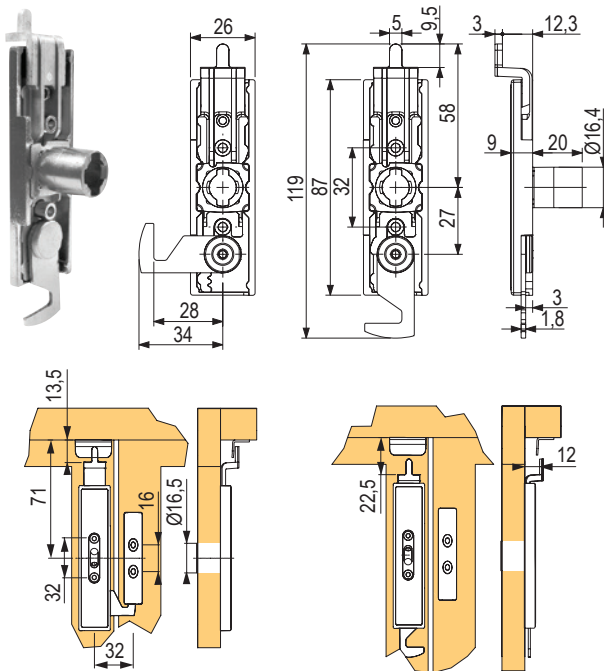
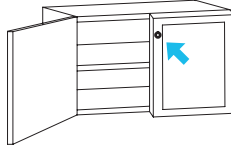
Lehmann locks with replaceable insert

Cabinet lock 415.01

code	orientation	cylinder length (mm)	surface treatment
L00058	right	20	nickel

A functioning complete set must include:

- cabinet lock 415.01 1 pc
- rosette 16.5 mm 1 pc
- striker plate 1 pc
- angled striker plate 30 mm or circular strike plate 1 pc
- replaceable insert 1 pc (p. 09.53)

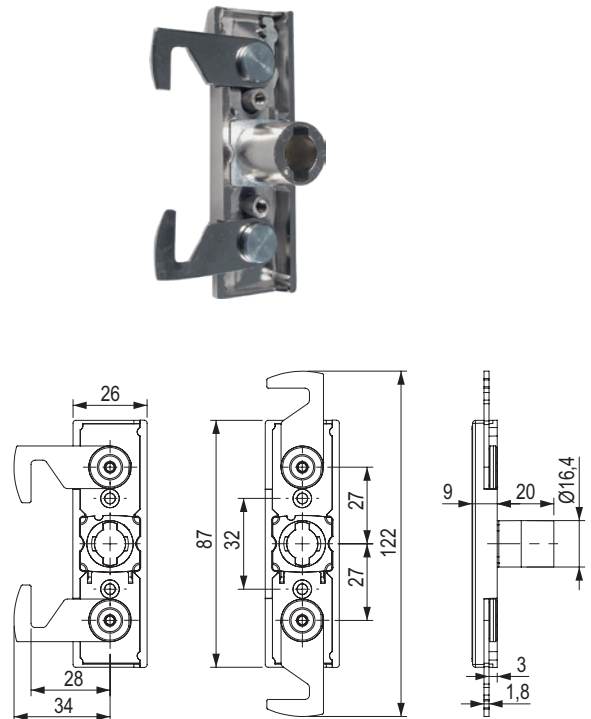
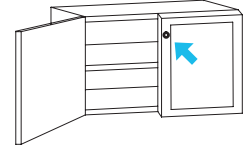


Cabinet lock 415 with two hooks

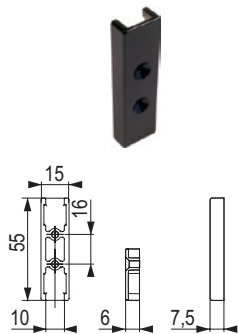
code	orientation	cylinder length (mm)	surface treatment
348976	right	20	nickel

A functioning complete set must include:

- cabinet lock 415 1 pc
- rosette 16.5 mm 1 pc
- striker plate 1 pc
- replaceable insert 1 pc

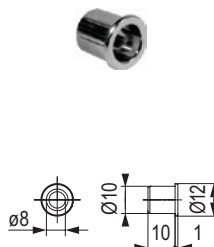


Striker plate



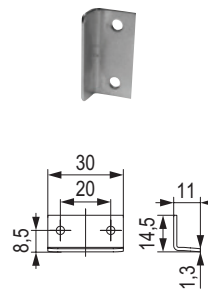
code	surface treatment
L00059	black

Circular striker plate



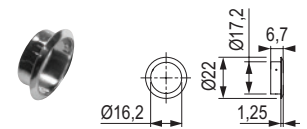
code	surface treatment
L00052	nickel

Corner stop 30 mm



code	surface treatment
L00007	nickel

Rosette 16.5 mm



code	surface treatment
L00066	nickel

Replaceable insert



p. 09.53

Lehmann locks with replaceable insert

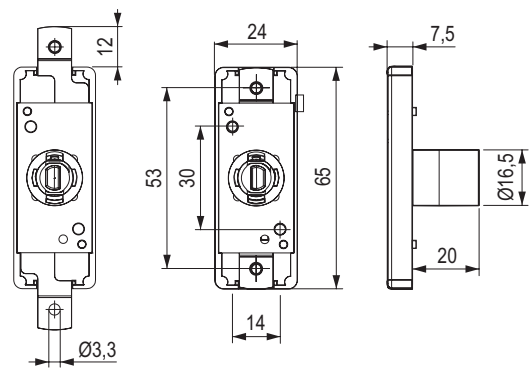
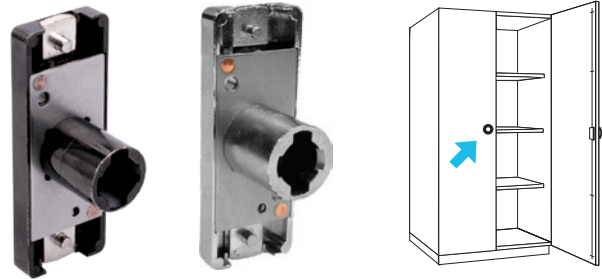
Extending bar lock 292

code	orientation	cylinder length (mm)	surface treatment
L00028	right	20	nickel
389288			black

- for the black lock, the only accessories in black are the rosette and the replaceable insert with keys, other accessories in nickel surface treatment

A functioning complete set must include:

- extending bar lock 292 1 pc
- rosette 16.5 mm 1 pc
- extending bar 2 pcs
- ☑ option of purchasing a striking stop (p. 10.77) or other striker plate preventing the opening of the second leaf
- extending bar lock guide, min. 2 pcs
- counterpart for extending bar (depending on the type of attachment, see accessories) 2 pcs
- corner stop (depending on type of attachment, see accessories) 2 pcs
- replaceable insert 1 pc (p. 09.53)



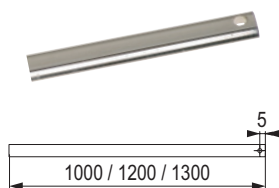
Extending bar lock 292 (set)

code	description	surface treatment
136175	complete set 1,000 mm	nickel
136200	complete set 1,200 mm	
395511	complete set 1,000 mm	black
395512	complete set 1,200 mm	

- includes: lock 1 pc, rosette 1 pc, bars 2 pcs, guides 2 pcs, corner stops 2 pcs
- for the black lock variant, only the lock is black, the rest of the accessories are nickel-plated
- black rosette and black cylinder insert can be purchased for the black lock
- ⚠ A removable insert must be supplied as required.

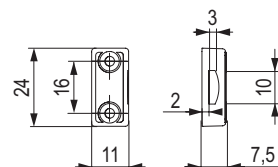
Extending bar

code	description
L00029	nickel, length: 1,000 mm
L00030	nickel, length: 1,200 mm
220366	nickel, length: 1,300 mm



Extending bar guide

code	surface treatment
L00031	nickel

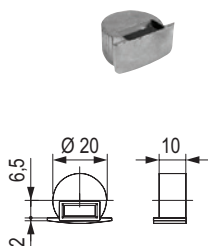


Lehmann locks with replaceable insert

Extending bar counterpart

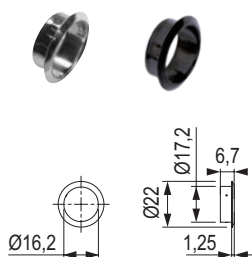
code	description
L00032	nickel

- counterpart for drilling-in



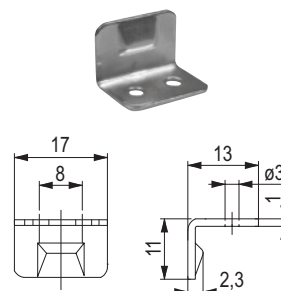
Rosette 16.5 mm

code	surface treatment
L00066	nickel
275116	black



Striker plate

code	description
L00065	corner stop for a bolt



Replaceable insert

p. 09.53



Double-leaf cabinet door locking system:
Equip one leaf with an extending bar lock.
A striking stop (p. 10.60) is attached to the second leaf, which extends beyond the edge. When the first leaf is locked, the other door will be blocked by the door stopper getting caught on the first leaf.

Lehmann locks with replaceable insert

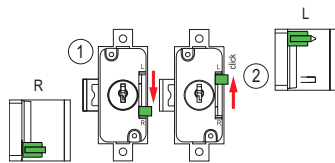
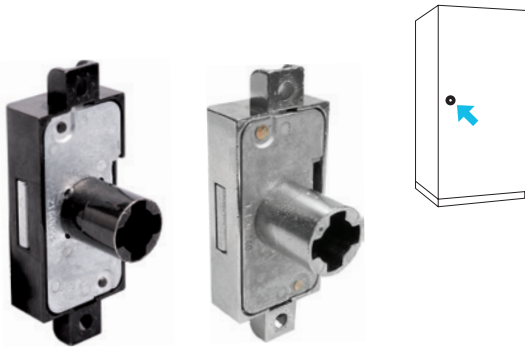
Espagnolette lock 750

code	orientation	cylinder length (mm)	option (mm)	surface treatment
L00033	right-left (switchable)	20	15	nickel
349440			25	
395496			15	black

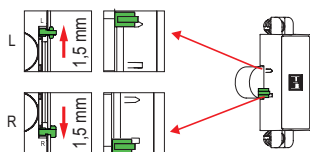
- for the black lock, the only black accessories are rosette and replaceable insert with keys, the rest of the accessories in nickel surface treatment

A functioning complete set must include:

- espagnolette lock 750, 1 pc
- rosette 16.5 mm 1 pc
- bar 2 pcs
- corner stop 1 pc
- upper hook 1 pc
- lower locking hook 1 pc
- bar guide, min. 2 pcs
- pin 2 pcs
- replaceable insert 1 pc (p.09.53)

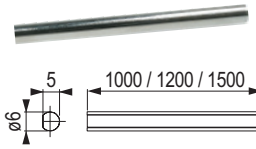


switching the locking direction



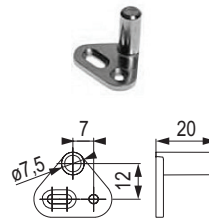
activation of key blocking (the key cannot be pulled out while the lock is unlocked)

Bar



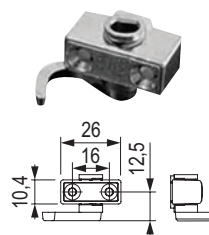
code	description
L00034	nickel, length: 1,000 mm
L00035	nickel, length: 1,200 mm
L18319	nickel, length: 1,500 mm

Pin



code	surface treatment
L00039	nickel

Lower hook



code	surface treatment
L00037	nickel

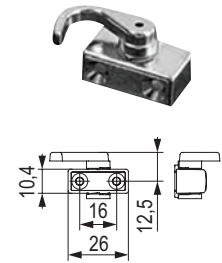
- also available with a drive-in dowel

Rosette 16.5 mm



code	surface treatment
L00066	nickel
275116	black

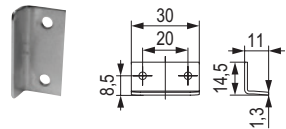
Upper hook



code	surface treatment
L00036	nickel

- also available with a drive-in dowel

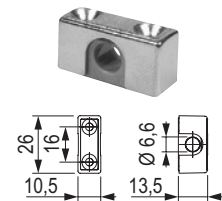
Corner stop 30 mm



code	surface treatment
L00007	nickel

- screw-on striker plate
- for further corner stops see p. 09.41

Guide for bar



code	surface treatment
L00038	nickel

Replaceable insert



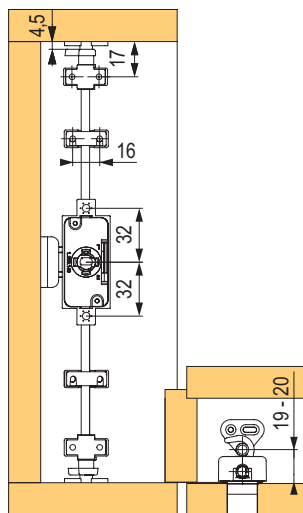
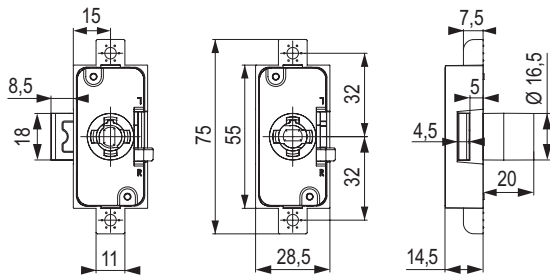
p. 09.53

Lehmann locks with replaceable insert

Lock 750.15 with bars (complete set)

code	description	surface treatment
136176	complete set 1,000 mm	nickel
136177	complete set 1,200 mm	nickel
395513	complete set 1,000 mm	black
395514	complete set 1,000 mm	black

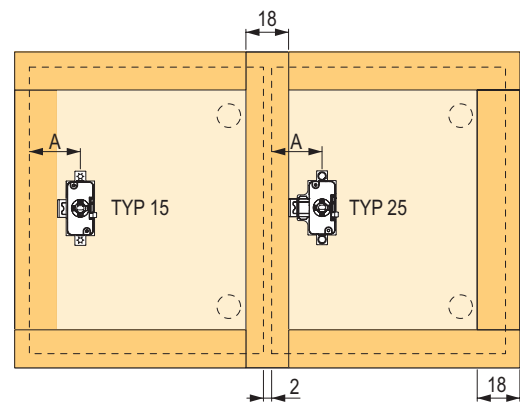
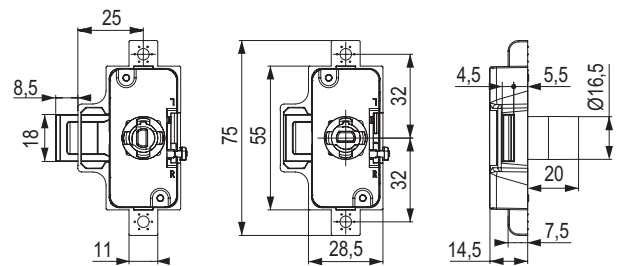
- for the black lock variant, only the lock is black, the rest of the accessories are nickel-plated
- black rosette and black cylinder insert can be purchased for the black lock
- includes: lock 1 pc, rosette 1 pc, bars 2 pcs, upper locking hook 1 pc, lower locking hook 1 pc, guides 2 pcs, pins 2 pcs
- ❗ a removable insert and an angled striker plate must be supplied as required



Espagnolette lock 750.25 with bars (complete set)

code	description	surface treatment
349745	complete set 1,000 mm	nickel
349747	complete set 1,200 mm	

- includes: lock 1 pc, rosette 1 pc, bars 2 pcs, upper locking hook 1 pc, lower locking hook 1 pc, guides 2 pcs, pins 2 pcs
- ❗ a removable insert and an angled striker plate must be supplied as required

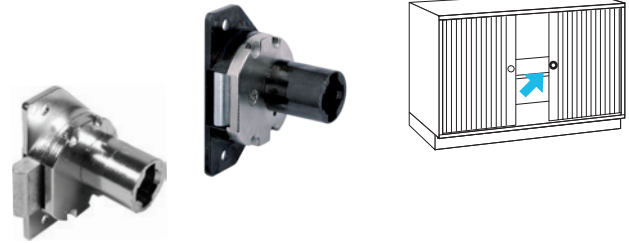


- an example of the use of locks type 750.15 and 750.25 (the same distance between the lock and the edge of both full overlay and half overlay cabinet doors)

Lehmann locks with replaceable insert

Tambour door lock 416

code	description	cylinder length (mm)	surface treatment
L00060	right	20	nickel
385778	right		black
L00061	striker plate for one shutter	×	nickel
385780		×	black
L00062	striker plate for two shutters	×	nickel
L00066	rosette 16.5 mm	×	nickel
275116		×	black



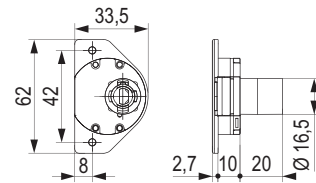
A functioning complete set must include:

- tambour door lock 416 1 pc
- rosette 16.5 mm 1 pc
- counterpart for single tambour (depending on the usage) 0-1 pc

- counterpart for double tambour (depending on the usage) 0-1 pc
- replaceable insert 1 pc (p. 09.53)

- suitable for locking tambour doors with end profile 47 × 25 mm
- **can be used for one or two tambours**

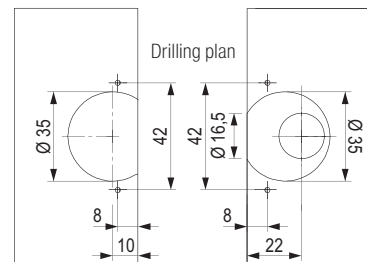
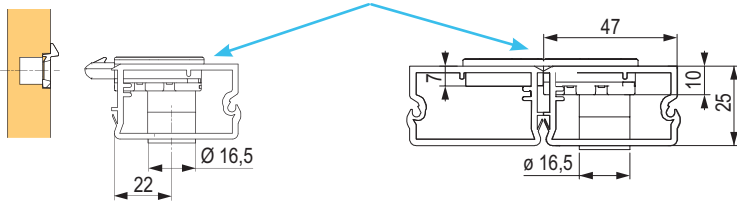
for locking Metallic Line shutters, lock 372.02 (code 224510) can be used, p. 09.42



Single tambour

Double tambour

Slam rail 47 × 25 mm for Rehau tambour doors



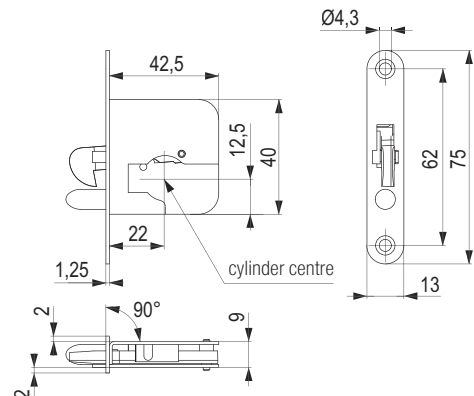
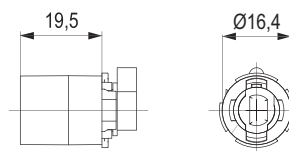
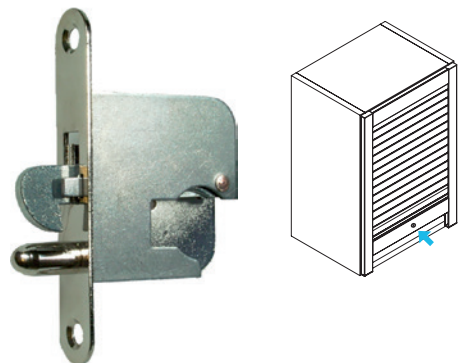
Lock 405 for tambours with overlap

code	description	orientation	cylinder length (mm)	surface treatment
381995	lock 405	right	×	nickel
381999	cylinder		20	
381998	striker plate for lock 406 for shutters with overhanging end strip			
L00066	rosette 16.5 mm			nickel

- lock for slam rail with overlap, i.e. only for full overlay Frame shutter with E23 tambour door profile
- the advantage is that the lock latch and the guide pin are concealed and almost invisible

A functioning complete set must include:

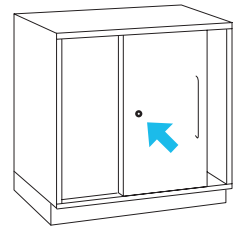
- lock 405
- cylinder 142
- striker plate 406
- rosette 16.5 mm
- replaceable insert 1 pc (p. 09.53)



Lehmann locks with replaceable insert

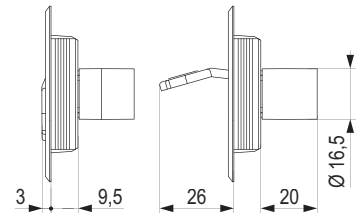
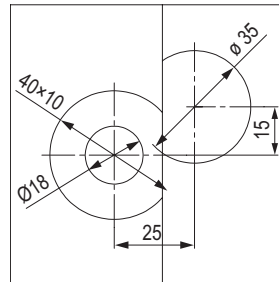
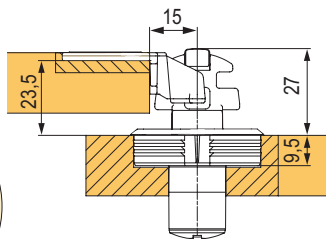
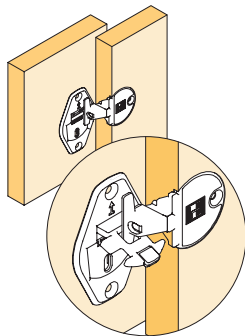
Sliding door lock 515.04

code	description	cylinder length (mm)	surface treatment
227015	right	20	nickel
227016	striker plate 5155	-	
L00066	rosette 16.5 mm	-	



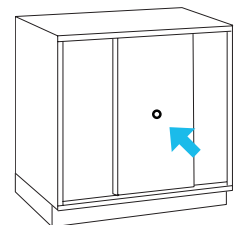
A functioning complete set must include:

- sliding door lock 515.04 1 pc
- stopper 5155, option without the counterpart is also available (will not be secured against leaf deflection between one another – prying) 1 pc
- rosette 16.5 mm 1 pc
- removable insert 1 pc (p. 09.53)



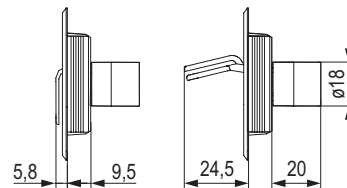
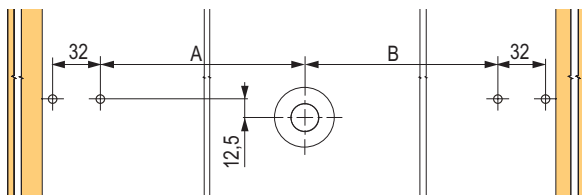
Sliding door lock 515.05

code	description	cylinder length (mm)	surface treatment
457543	right	20	nickel
142114	bar 999 mm	-	
L00066	rosette 16.5 mm	-	

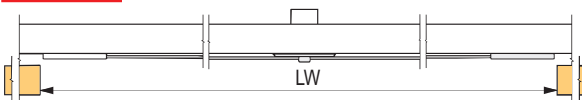


A functioning complete set must include:

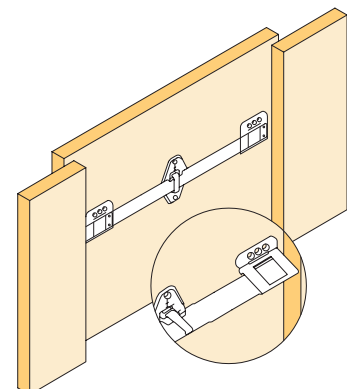
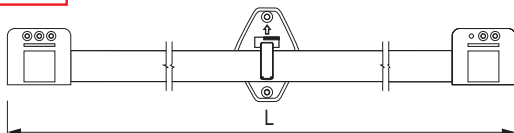
- sliding door lock 515.05 1 pc
- swing bar, length 999 mm 1 pc
- rosette 16.5 mm 1 pc
- replaceable inserts on p. 09.53



$$A/B = \frac{LW}{2} - 38$$



$$L = LW - 4$$



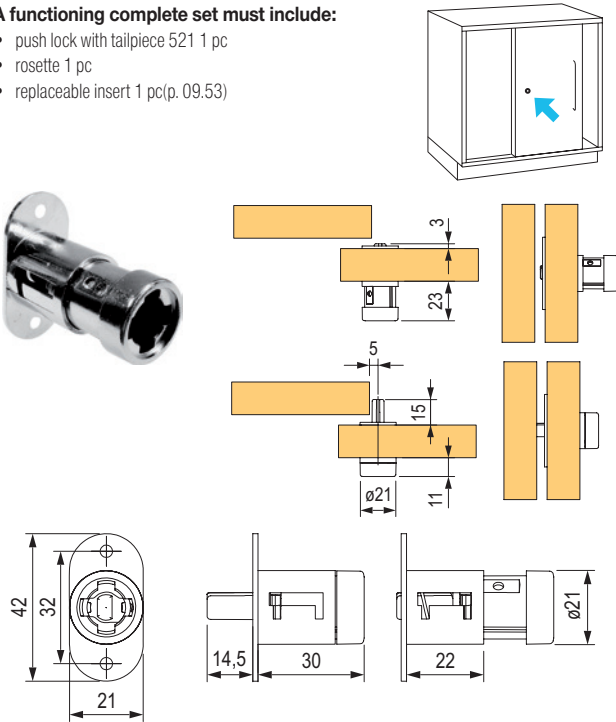
Lehmann locks with replaceable insert

Push lock 521

code	description	cylinder length (mm)	surface treatment
L00048	right	20	nickel
L00079	rosette 21.5 mm	-	

A functioning complete set must include:

- push lock with tailpiece 521 1 pc
- rosette 1 pc
- replaceable insert 1 pc(p. 09.53)



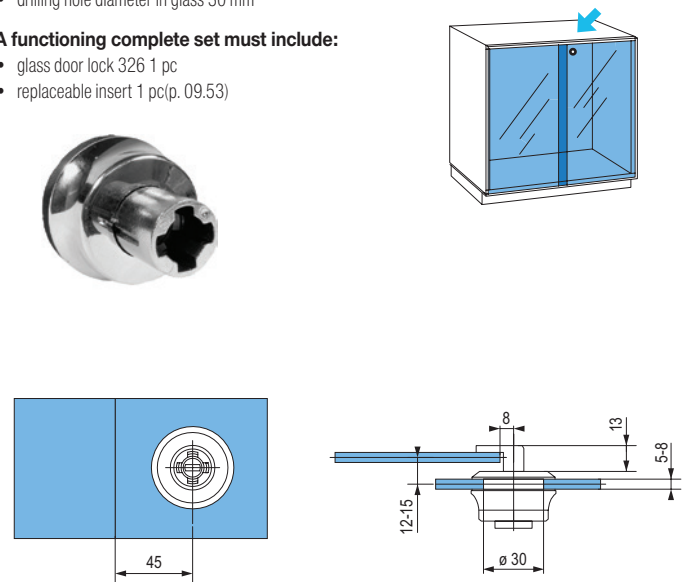
Sliding glass door lock 326

code	orientation	for glass thickness (mm)	surface treatment
L00054	right	5-8	nickel

- drilling hole diameter in glass 30 mm

A functioning complete set must include:

- glass door lock 326 1 pc
- replaceable insert 1 pc(p. 09.53)

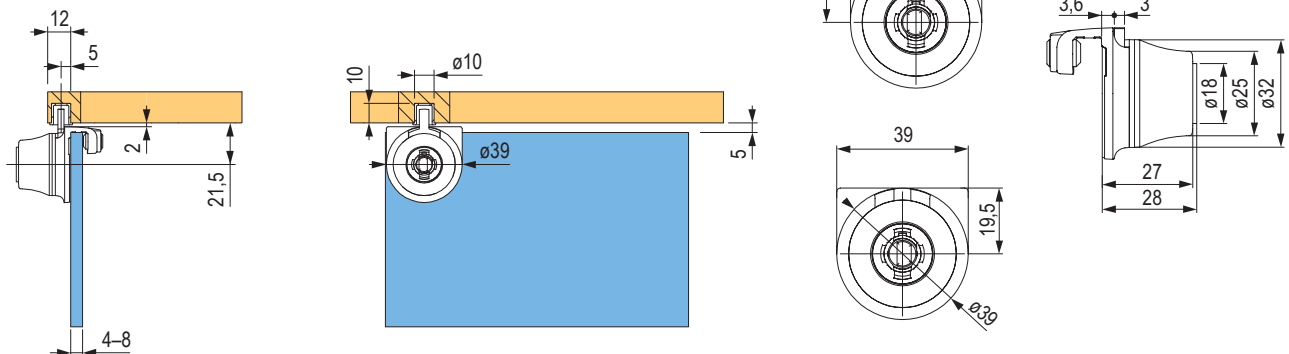


Glass door lock 324 attachable

code	description	for glass thickness (mm)	surface treatment
227017	right	4-8	nickel
L00052	circular counterpart		
L00053	glass retaining pin		
281957	key blocking pin for glass door locks		

A functioning complete set must include:

- glass door lock 324 1 pc
- for inset glass door
- circular counterpart 1 pc
- glass holder dowel pin 1 pc
- replaceable insert 1 pc(p. 09.53)
- key blocking is activated by inserting the pin into the lock
- can be used for glass door locks 320, 322, 324, 321



Lehmann locks with replaceable insert

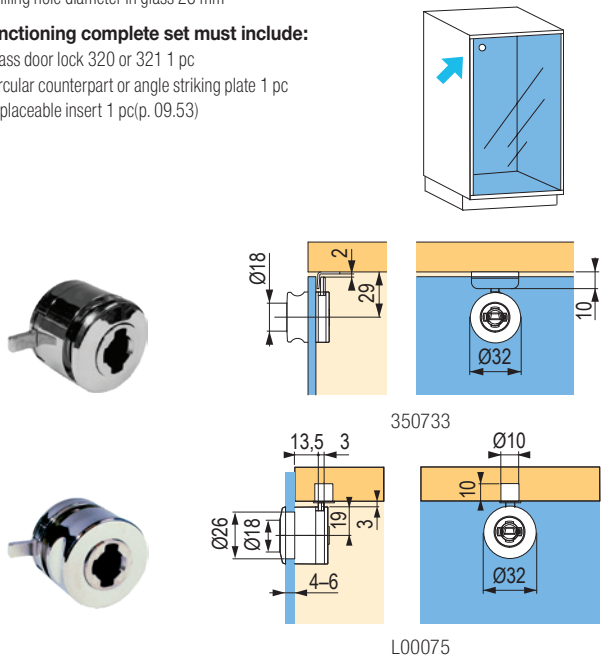
Glass door lock 320 and 321 – for single glass leaf

code	orientation	for glass thickness (mm)	surface treatment
L00075	right	4-6	nickel
350733	right with integrated knob		nickel

- drilling hole diameter in glass 26 mm

A functioning complete set must include:

- glass door lock 320 or 321 1 pc
- circular counterpart or angle striking plate 1 pc
- replaceable insert 1 pc(p. 09.53)



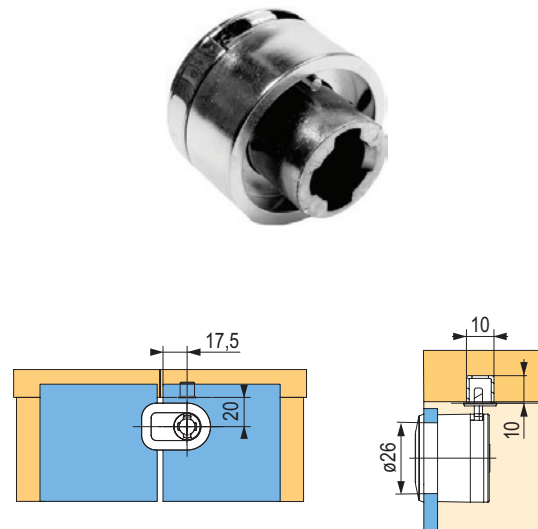
Glass lock 322 – for two leaves

code	orientation	for glass thickness (mm)	surface treatment
L00050	right	4-6	nickel

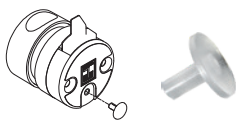
- drilling hole diameter in glass 26 mm
- it is necessary to purchase also front plate L00051 for the second glass

A functioning complete set must include:

- glass door lock 322 1 pc
- front plate for the second glass 1 pc
- circular counterpart 1 pc
- glass holder dowel pin, only for inset doors (functions as bumper) 1 pc
- replaceable insert 1 pc(p. 09.53)



PIN for activation blocking the key



code	description
281957	key blocking pin for glass door locks

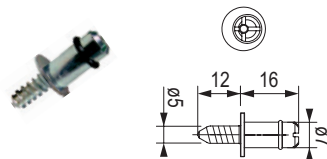
- key blocking is activated by inserting the pin into the lock
- can be used for glass door locks 320, 322, 324, 321

Replaceable insert



p. 09.53

Glass holder dowel pin



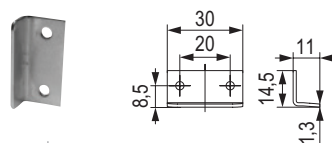
code	surface treatment
L00053	nickel

Circular striker plate



code	surface treatment
L00052	nickel

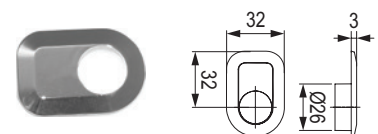
Corner stop 30 mm



code	surface treatment
L00007	nickel

- screw-on striker plate

Front plate



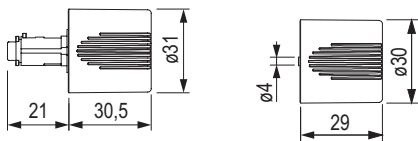
code	surface treatment
L00051	nickel

Lehmann locks with replaceable insert

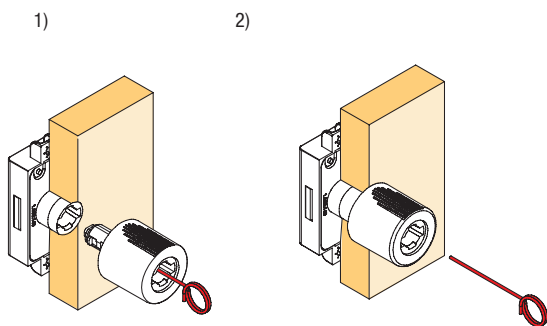
Lockable knobs 44.1

code	orientation	surface treatment
136499	right	matt nickel
136500	left	
136502	knob imitation	

- knob including a hole for replaceable insert – lockable
- knob imitation functions as handle or a design feature
- screw for mounting the knob imitation is included in the package
- ❗ removable insert must be purchased separately



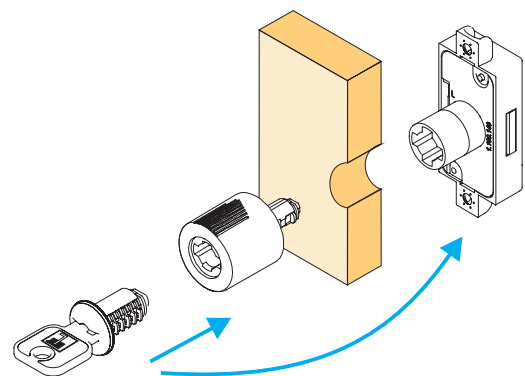
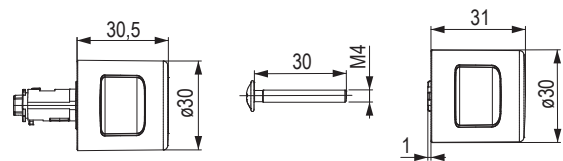
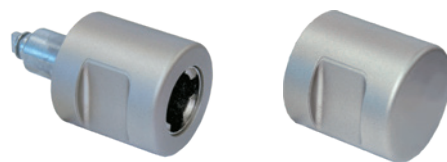
Pulling the knob out of the lock instructions



Lockable knobs 42.2

code	orientation	surface treatment
300122	right	matt nickel
394344	left	
394345	knob imitation	

- knob including a hole for replaceable insert – lockable
- knob imitation functions as handle or a design feature
- screw for mounting the knob imitation is included in the package
- ❗ removable insert must be purchased separately



Tool for knob removal



code	surface treatment
L00042	nickel

Blind cylinder insert



code	description
285157	plastic/nickel

- when using lockable knob for locking without a key

Replaceable insert



p. 09.53

replaceable inserts with two keys and Lehmann keys

B1 – black

Various key combinations

code	insert number
385770	from series 18001–18500



Same combinations

code	insert number	code	insert number
385769	18001	503854	18006
503850	18002	503855	18007
503851	18003	503856	18008
503852	18004	503857	18009
503853	18005	503858	18010

B1 – nickel

Various key combinations

code	insert number from the series
211144	18001–18100
211145	18101–18200
211146	18201–18300
211147	18301–18400
211148	18401–18500



code	insert number from the series
237703	18501–18600
237704	18601–18700
237705	18701–18800
237706	18801–18900
237707	18901–19000

Same combinations

code	insert number	code	insert number	code	insert number
211094	18001	211111	18018	211128	18035
211095	18002	211112	18019	211129	18036
211096	18003	211113	18020	211130	18037
211097	18004	211114	18021	211131	18038
211098	18005	211115	18022	211132	18039
211099	18006	211116	18023	211133	18040
211100	18007	211117	18024	211134	18041
211101	18008	211118	18025	211135	18042
211102	18009	211119	18026	211136	18043
211103	18010	211120	18027	211137	18044
211104	18011	211121	18028	211138	18045
211105	18012	211122	18029	211139	18046
211106	18013	211123	18030	211140	18047
211107	18014	211124	18031	211141	18048
211108	18015	211125	18032	211142	18049
211109	18016	211126	18033	211143	18050
211110	18017	211127	18034		

replaceable inserts with two keys and Lehmann keys

Various C1 combinations

code	insert number from the series
402408	18001-18100
402409	18101-18200
402410	18201-18300
402411	18301-18400
402412	18401-18500



- the above-mentioned codes include only one insert with two keys from the series in description, e.g. when ordering 5 pcs of 402408, you will receive 5 randomly selected inserts from 18001-18100 series

Different combinations with one B1 and one C1 key

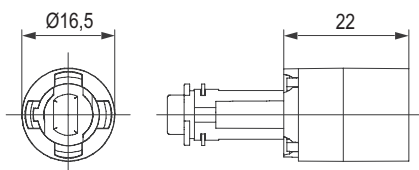
code	insert number from the series
211149	18001-18100
211150	18101-18200
211151	18201-18300



Cylinder extension by 22 mm

code	surface treatment
198416	nickel

- serves as a cylinder extension when using locks from materials with greater thickness
 - the extension can be used for all standard Lehmann locks
 - after attaching, the extension cannot be removed
 - a cylinder insert must be used for the extension according to the requirements
- ⚠ First clip on the insert into the extension, then insert the extension into the lock.



Spare key

code	description	code	description
252874	for combination 18001	236473	for combination 18006
252875	for combination 18002	252878	for combination 18007
252876	for combination 18003	252879	for combination 18008
252877	for combination 18004	252880	for combination 18009
236491	for combination 18005	252881	for combination 18010

- additional spare keys can be ordered



Raw keys

code	description
L00080	for replaceable inserts with numbers 18001-18500
355799	for replaceable inserts with numbers 18501-19000

- a semi-finished product which must be milled according to a pattern (of another key)



Master keys

code	description
L00068	for replaceable inserts with numbers 18001-18500
215448	for replaceable inserts with numbers 18501-19000

- for unlocking all inserts from a given series



Removal keys

code	description
L00067	for replaceable inserts from the entire 18000 series

- for removing the cylinder insert from an opened lock
- this key cannot unlock the lock



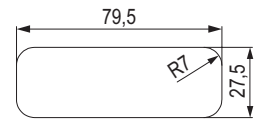
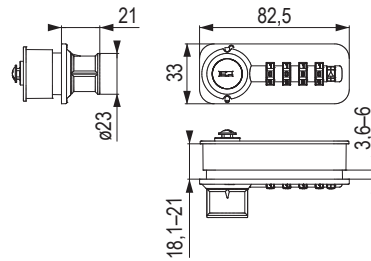
locks with mechanical numerical code

Dial lock 57.01 – fix version

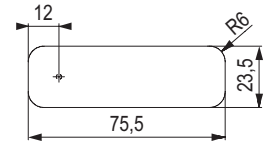
- 4 coding characters, that is 9999 combinations
- simple setting and changing of the code
- elimination of key loss
- left, right and vertical variants are available
- master key in case you forget the code
- selected colour combinations can be supplied on demand (limited by minimum ordered quantity of the selected colour)



code	orientation	colour
282255	right	black
282256	left	
293954	right	white
385503	left	



Drawing of hole in board 18.1–21 mm for lock types 57, 58, 59.



Drawing of hole in glass 3.6–6 mm.

ⓘ a bolt must be purchased additionally, see p. 09.76

Master key for lock types 57, 58, 59 and 62

code	description
282259	key version Z0001, nickel

- for emergency opening of lock types 57, 58 and 59 in case you forget the code



Code finding pin for lock types 57, 59

code	surface treatment
193598	nickel

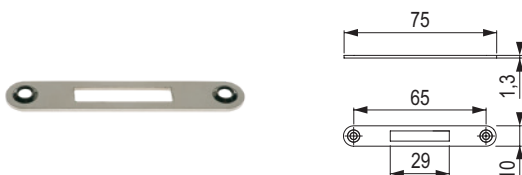
- for setting or changing the code (carried out from the front of the lock)



Mortise striker plate

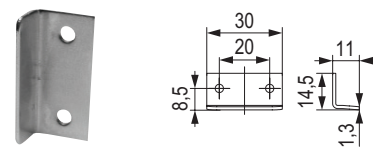
code	description
223468	nickel, length: 75 mm

- further corner stops see p. 09.80



Corner stop 30 mm

code	surface treatment
L00007	nickel

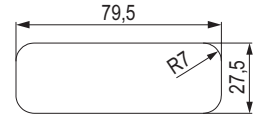


locks with mechanical numerical code

Dial lock 58.01 – free version

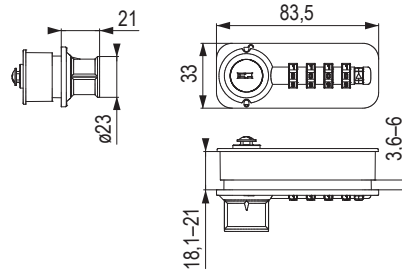
The user selects any free cabinet, sets a code and locks the lock. To unlock, the user sets the code and the lock unlocks. The lock is reset and ready for a new user.

- 4 coding characters, that is 9999 combinations
- elimination of key loss
- left, right and vertical variants are available
- master key in case you forget the code
- selected colour combinations can be supplied on demand – limited by minimum ordered quantity of the selected colour

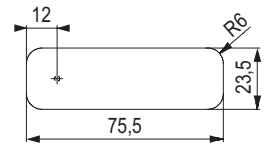


code	orientation	colour
345431	right	black
345432	left	

- ❗ a bolt must be purchased additionally, see p. 09.76
- 🔑 Master key see p. 09.75



Drawing of hole in board 18.1–21 mm for locks types 57, 58, 59.



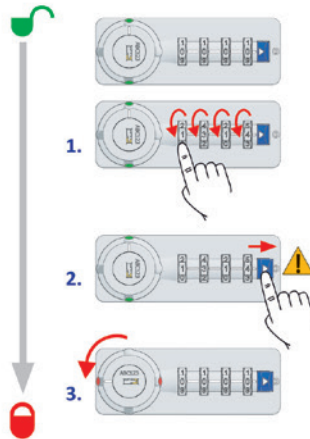
Drawing of hole in glass 3.6–6 mm.

Lock type 62.01

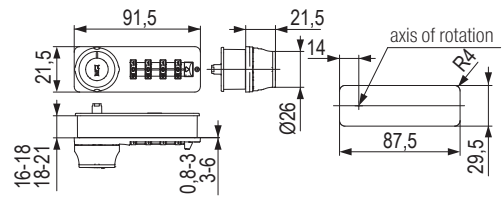
- 4 coding characters, that is 9999 combinations
- elimination of key loss
- left, right and vertical variants are available
- master key in case you forget the code
- **improved locking code entry system**
- **emergency lock opening with automatic lock code reset**

code	orientation	colour
507194	right	black
507195	left	

- ❗ cam must be bought separately
- 🔑 Master key see p. 09.55

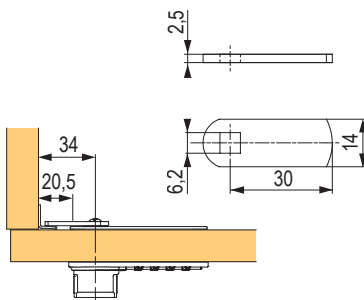


locking procedure



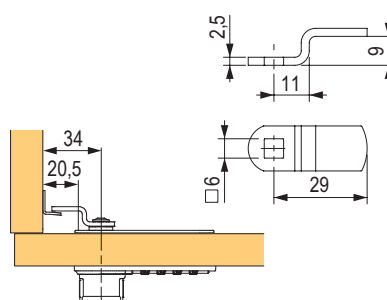
drawing of the hole in the plate 16–21 mm

Straight cam



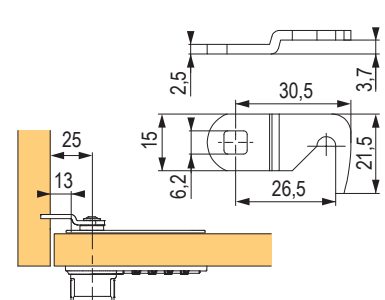
code	description
252254	type 477

Offset cam



code	description
229995	type 460

Hooked cam



code	description
281977	type 2 - 027

locks with mechanical numerical code

Rotary lock with mechanical numerical codes 60 and 63

Free version

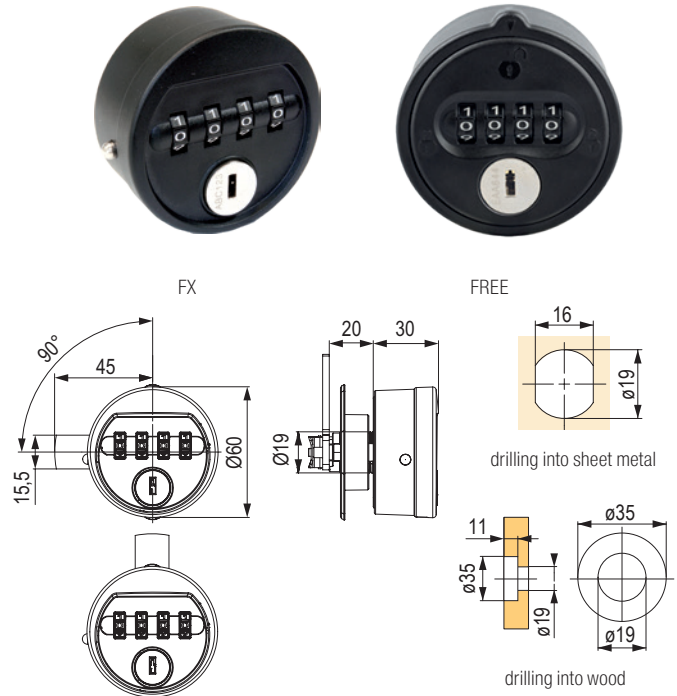
- The user selects any free cabinet, sets a code and locks the lock
- To unlock, the user sets the code and the lock unlocks
- The lock is reset and ready for a new user

Fix version

- the lock is always unlocked with the same code

code	type of lock	orientation	version	colour
309272	60	right-left	fix	black
532888	63		free	black

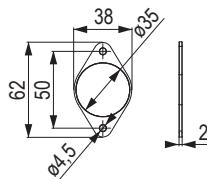
- after locking, the number plates rotate to zeros automatically = protection against misuse of the set code
- suitable for mounting into glass or sheet metal – material thickness up to 11 mm
- when using fixing element 309274, mounting into wood is also possible – material thickness 10–20 mm
- locking mechanism made of zinc
- the body of the lock is made of special plastic, reinforced with glass fibre
- possibility to choose the cam
- the lock also functions as handle
- ❗ it is necessary to buy a cam, see table of accessories



Optional accessories for locks 60 and 63

Plastic insert for assembly in thin wood

code	description
350805	to be combined with adapter 309274



Master key

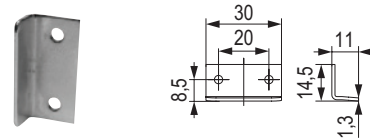
code	description
282259	Master key for lock types 57, 58, 59 and Public



Corner stop 30 mm

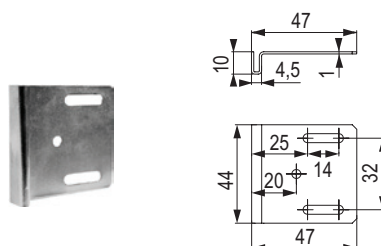
code	surface treatment
L00007	nickel

- screw-on striker plate



Corner stop 44 mm

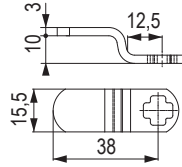
code	surface treatment
L00008	nickel



Mandatory accessories for locks 60 and 63

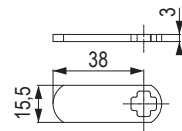
Cam 400

code	description
309277	offset cam



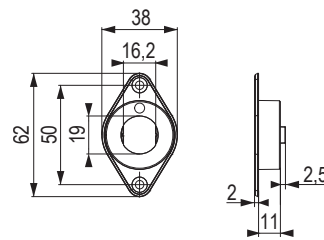
Cam 310

code	description
309275	straight



Fixing element for mounting into wood

code	surface treatment
309274	nickel



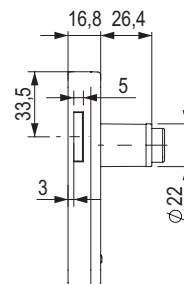
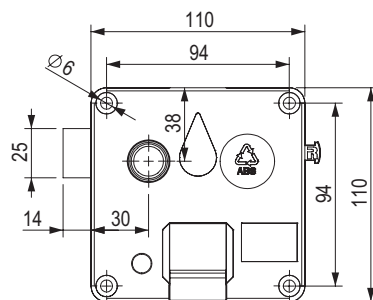
Type 70

code	orientation
336218	right
336219	left

- for coins: 5 CZK, 1€, 1 PLN or 100 HUF
- suitable for public spaces
- if the key is lost, the cylinder insert can be replaced by another one using master key and removal key
- up to 700 key combinations
- package includes: 1 pc of lock, 2 pcs of keys, 1 pc of coin trap
- Basic version - not suitable for rooms with higher humidity
- Spa option also available - for areas such as swimming pools, saunas etc.

Accessories for Basic version

code	description
336222	replacement insert for coin lock
394364	removal key for coin lock
394366	master key for coin lock



other Lehmann locks

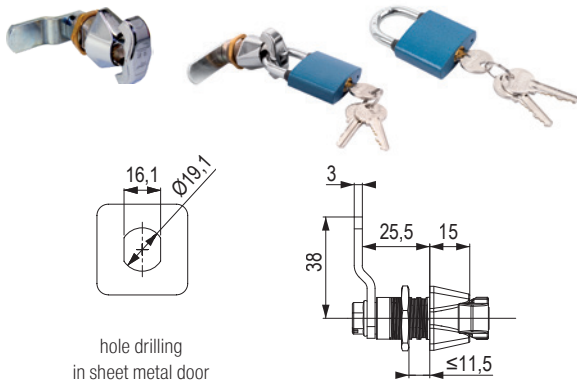
Wing knob with padlock fitting

Wing knob with padlock fitting is suitable for sheet metal doors (with fixing element also for laminated particle board). Attaching the padlock prevents the lock from unlocking.

code	orientation	surface treatment
350804	right	nickel

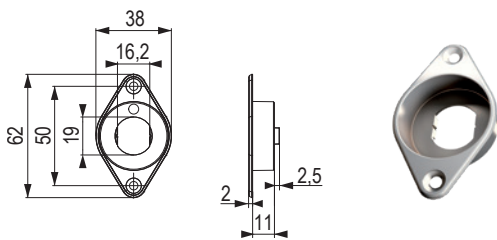
- mounting into material with a thickness of 0.7–11 mm
- for material thickness of 12–14 mm, fixing element 309274 and insert 350805 must be purchased
- for material thickness 14–19 mm, fixing element 309274 must be purchased
- suitable for padlocks with up to 8 mm in diameter

code	description	surface treatment
394666	padlock	blue



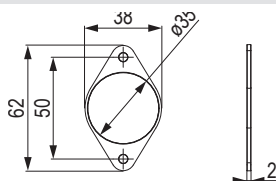
hole drilling
in sheet metal door

Fixing element for mounting into wood



code	surface treatment
309274	nickel

Plastic insert

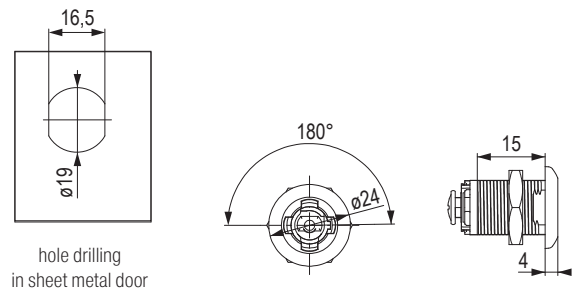


code	description
350805	2 mm

Sheet metal door lock

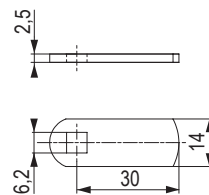
code	description	surface treatment
351469	right	nickel

- cylinder length 15 mm
- hole drilling diameter 19 × 16.5 mm
- it is necessary to purchase a cylinder insert
- it is necessary to purchase a cam according to requirements:
 - 252254 – straight cam type 477
 - 229995 – offset cam type 460
- possible to purchase an angled striker plate



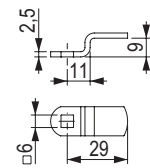
hole drilling
in sheet metal door

Cam straight



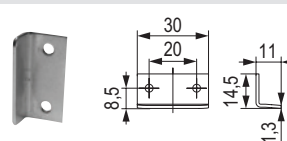
code	description
252254	type 477

Cam offset cam



code	description
229995	type 460

Corner stop 30 mm



- screw-on striker plate

code	surface treatment
L00007	nickel

Replaceable insert



p. 09.53

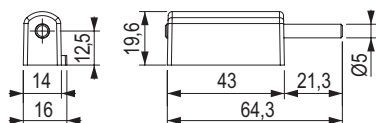
other locks and accessories

Accessories

code	description	use	needed for a complete setup
350800	user card	card for normal operation	YES - number of cards, according to the number of users
350801	set of cards - Master, update, service	cards for programming and updates, the set contains the following cards: <ul style="list-style-type: none"> • Update - to update the software • Master - a programming card • Service - for possible creation of a master card 	YES - one set for a group of locks
350802	installation card	card designed for testing in factory settings	OPTIONAL - one card per lock group
350803	set of cards - Mode, Sound, Reset	Cards for setting locks, set includes cards: <ul style="list-style-type: none"> • Mode - FIX/FREE mode setting • Sound - lock sound signal setting • Reset - reset to factory settings 	OPTIONAL - one complete set per lock group
471959	nylon bracelet with chip (watch) blue 1 pc	alternative to the user card, for the end user	OPTIONAL
475079	nylon bracelet with chip (watch) red 1 pc		
487036	mechanism for handleless opening 1 pc	to open the door when the lock is unlocked	OPTIONAL
487054	optical eye for laminate 16-21 mm (type 16) 25 pcs	for visibility of lock status locked/unlocked / low battery	OPTIONAL



487036



471959



475079



contents containers

	<p>container components</p>	<p>09.63</p>
	<p>complete containers</p>	<p>09.67</p>
	<p>set to create universal locking bars</p>	<p>09.85</p>
	<p>drawer OrgaWork</p>	<p>09.85</p>
	<p>suspension filing cabinet</p>	<p>09.86</p>
	<p>cable cable exit</p>	<p>09.88</p>
	<p>cable management</p>	<p>09.90</p>

office container equipment



BBP containers

- office products from the BBP company are the result of 50 years of experience in the office equipment field
 - BBP container systems are renowned for their innovative design, smooth running of its slides and ease of control
 - great emphasis is put on the quality of materials and the manufacturing process, which is why you can always rely on its 100% functionality, even after many years of use and full load
 - perfect running, minimal need for force and stability of the slides are the result of precise manufacturing and thorough preparation before manufacturing
 - slides are equipped self-closing system, and an option for soft closing, which increases comfort when using the system.
- In the world of office equipment, BBP products are at the very pinnacle of quality
- BBP also focused on simple assembly of their ORGA AER and TIP AER products
 - **BBP office furniture program also includes the LGA certification that guarantees high quality**
 - BBP container sets are lockable with Lehmann locks

ADVANTAGES

- in stock
- electronic version of all documentation is available at www.demos-trade.com
- the central lock bar is not milled-in
- simple ordering of a set under one code
- German quality
- ideal for serial production



	ORGA AER	TIP AER
opening	handle / handle profile	handleless for pushing in
container tipping over protection	yes	yes
for metal drawers	yes	yes
for plastic drawers	yes	yes
full extension slides	yes	no
partial extension slides	yes	yes
separate pen tray	yes	yes
pen tray for insertion into a drawer	yes	yes
inner width: 292 mm	yes	no
inner width: 392 mm	yes	yes
container length: 540 mm	yes	yes
container length: 740 mm	yes	no

ORGA AER and TIP AER drawers for 392 mm

code	container design	colour	length (mm)
153781	ORGA AER	black metal	515
153782		black plastic	510
153804		black plastic	715
153805		black plastic	710
351776	TIP AER	black plastic	515
351777		black plastic	510

- for inner width of container 392 mm
- inner width of drawer 330 mm
- ORGA AER drawers contain locking pins for locking with SVS bar
- drawer lengths 710 (715) mm only for ORGA AER system
- it is necessary to purchase a locking pin for TIP AER drawers (1 pc 351782 / drawer)

ORGA AER drawer for 292 mm

code	colour	length (mm)
221366	black metal	515

- for inner width of container 292 mm
- inner width of drawer 230 mm
- this drawer also contains locking pins for locking with SVS bar



office container equipment

Partial drawer runners for ORGA AER and TIP AER drawers

code	container type and inner width (mm)	description	slide length (mm)	load capacity of the slide (kg)
308744	ORGA AER width: 392 and 292 mm	right with self-closing system	540	25
308743		left		
308745		left with soft closing		
308747		right with self-closing system	740	
308746		left		
308748		left with soft closing		
351779	TIP AER width 392	right	540	
351778		left		

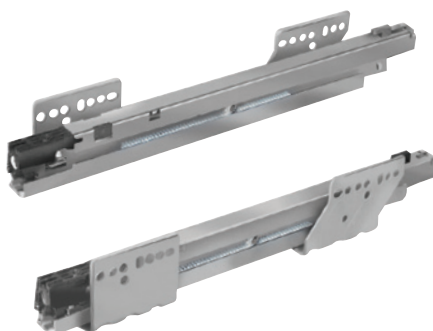
- the left slide can be selected to meet your requirements, i.e. whether you just want the drawer to close automatically or whether it should be also damped at the same time



Full extension slides for ORGA Aer drawers

code	description	slide length (mm)	load capacity of the slide (kg)
153786	left with self-closing system	540	40
153787	right with self-closing system		
153809	left with self-closing system	740	50
153810	right with self-closing system		

- original soft closing for these slides is supplied separately (code 308749)
- for inner width of container 392 and 292 mm



12345 Item in stock

12345 Item on demand

Oil damper for full extension slides for ORGA AER drawers

code	description
308749	separate damper

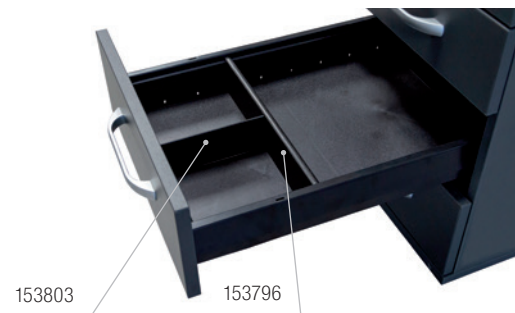
- the original damper is simply inserted from the front side into the full extension slide and is secured by twisting
- we recommend using a damper for both the right and left slide



Internal partitions

code	description
547373	transverse plastic divider (230 mm), compatible with longitudinal partitions
153796	cross plastic divider A4 (length 330 mm)
153802	lateral plastic divider A5 (length 220 mm)
153803	lateral plastic divider A6 (length 162 mm)

- for attaching a lateral divider A5 or A6, it is necessary to use a cross plastic divider A4 (code 153796)
- only for inner width of container of 392 mm



Paper tray

code	description
195381	plastic compartment for A4 documents

- for drawers of length 510 (515) mm, maximum of pieces to be used: 4 pcs
- for drawers of length 710 (715) mm, maximum of pieces to be used: 7 pcs
- only for inner width of container of 392 mm



09.64

office container equipment



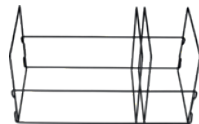
Adapter for suspension files A4 for insertion into drawers

code	description
153797	plastic extension for drawers 392 mm
229159	extension for drawers 510 mm
259777	metal extension for drawers 292 mm

- two adapters 153797 inserted one after the other are used for drawers 710 mm
- 2 pcs of extensions are needed for one filing cabinet



153797



259777

Front panel braces for high drawer fronts

code	description
153799	for metal drawers
153800	for plastic drawers

- there is always a right and a left front panel brace in the package
- serves as a support for the high front of the drawer



Pen tray for insertion into drawers for 392 mm

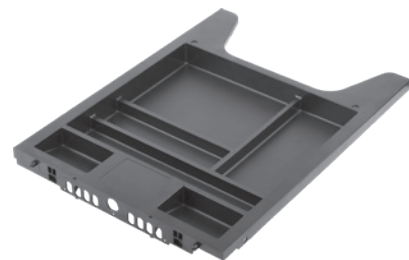
code	description
153801	pen tray for insertion into a drawer

- dimensions: 337 × 196 mm
- only for inner width of container of 392 mm



ORGA AER and TIP AER pen trays

code	height (mm)	description
497989	40,8	black plastic for ORGA AER / TIP AER 392 mm
308735	30	black plastic for ORGA AER 292 mm



497989

Partial extension slides for ORGA AER and TIP AER pen trays

code	type and inner width	description
504231	ORGA AER width 292/392 mm	right
504232		left with self-closing system
504234		left with soft closing
497991	TIP AER width: 392 mm	right
497992		left

- for OrgaAer system, the left slide can be selected depending on whether the drawer should only close automatically or whether it should be also dampened



Front mounting screws to drawers and filing cabinet frames

code	description
153821	screw with large head for metal drawer front attachment (7.3 × 12 mm)
153822	screw with large head for plastic drawer front attachment (7.3 × 19 mm)

- 4 pcs of screws are required to attach one drawer front



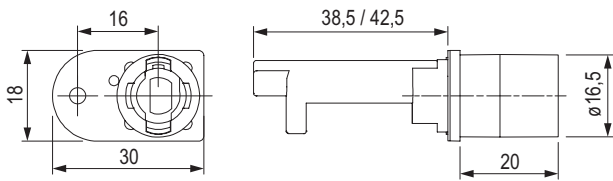


office container equipment

Lock 429 for SVS3 bar with pen tray

code	type and inner width	description
L00087	ORGA AER width: 392 and 292 mm	right, cylinder length 20 mm, nickel
352505	TIP AER width: 392 mm	

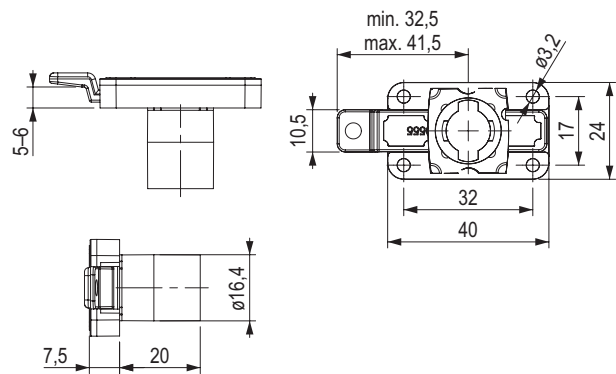
☑ the lock must be supplied with a replacement insert Lehmann as required (p. 09.53)



Lock 430 for SVS elevon bar without pen tray

code	type and inner width	description
122965	ORGA AER width: 392 and 292 mm	right, cylinder length 20 mm, nickel / black plastic

☑ a Lehmann replaceable insert must be ordered with the lock as required (p. 09.53)
 • primarily designed for locking of SVS bar, can be also used as a drawer lock




office containers – sets



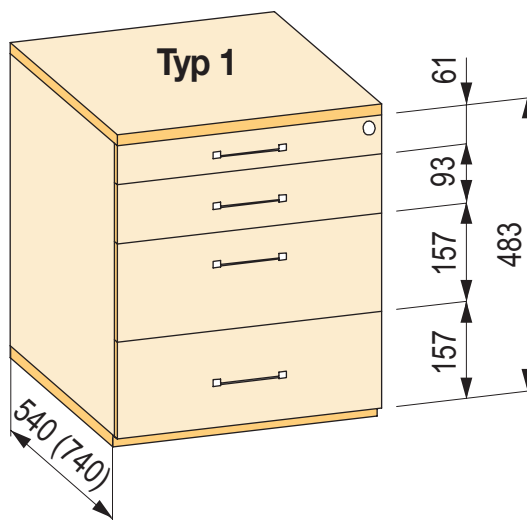
ORGA AER and TIP AER

- a complete set always includes drawers, slides, a lock, SVS 3 bar and screws for attaching drawer fronts
- the pen tray in the ORGA AER and TIP AER system is always plastic and has only partial extension slides for the inner width of the container 292 mm or 392 mm
- you can find the drawing documentation on our website under the codes of the individual complete sets



 **In the case of a non-standard pedestal unit configuration that is not offered as a set, a central lock bar of length 1,000 mm can be ordered separately, with the option of custom drawer positioning:**

- version with pencil tray (max. 6 drawers + 1 pencil tray), code 353593
- version without pencil tray (max. 6 drawers), code 353595
- more information on page 09.111



Type 1

pen tray and 3 drawers for inner height of container 483 mm

type of drawer	type of slide	opening/closing	width 292 mm	width 392 mm	
			for depth	for depth	
			540 mm	540 mm	740 mm
metal	partial extension slide	with self-closing system	356574	158002	195996
		with self-closing system and soft closing	356575	158003	195997
		handleless opening	x	351903	x
	full extension slide	with self-closing system	356576	158005	195998
		with self-closing system and soft closing	356577	158006	195999
plastic	partial extension slide	with self-closing system	x	158007	196000
		with self-closing system and soft closing	x	158502	196001
		handleless opening	x	351905	x
	full extension slide	with self-closing system	x	158507	196002
		with self-closing system and soft closing	x	158509	196003

 a Lehmann replaceable insert must be ordered with the complete set as required (p. 09.53) and if applicable a rosette (L00066)

 Complete sets are units composed of other codes and are intended for simple ordering of more complex assemblies. They do not have to be stocked out and packaged together.



office containers – individual components

Type 1 – 540 mm depth

- pen tray and 3 drawers for inner height of container 483 mm

complete set code	drawer 3×	drawer slide		damper for full extension slides 6×	pen tray 1×	pen tray slide		SVS locking bar 1×	lock 1×	screws 12×	locking pin 3×
		right 3×	left 3×			right 1×	left 1×				
158002	153781	308744	308743	×	497989	504231	504232	157889	L00087	153821	×
158003	153781	308744	308745	×	497989	504231	504234	157889	L00087	153821	×
158005	153781	153787	153786	×	497989	504231	504232	157889	L00087	153821	×
158006	153781	153787	153786	308749	497989	504231	504234	157889	L00087	153821	×
158007	153782	308744	308743	×	497989	504231	504232	157889	L00087	153822	×
158502	153782	308744	308745	×	497989	504231	504234	157889	L00087	153822	×
158507	153782	153787	153786	×	497989	504231	504232	157889	L00087	153822	×
158509	153782	153787	153786	308749	497989	504231	504234	157889	L00087	153822	×
351903	351776	351779	351778	×	497989	497991	497992	157889	352505	153821	351782
351905	351777	351779	351778	×	497989	497991	497992	157889	352505	153822	351782
356574	221366	308744	308743	×	308735	504231	504232	157889	L00087	153821	×
356575	221366	308744	308745	×	308735	504231	504234	157889	L00087	153821	×
356576	221366	153787	153786	×	308735	504231	504232	157889	L00087	153821	×
356577	221366	153787	153786	308749	308735	504231	504234	157889	L00087	153821	×

a Lehmann replacement insert must be ordered with the complete set as required (p. 09.53) and if applicable a rosette (L00066)

¹⁾ the locking pin is already mounted on the drawer

Type 1 – 740 mm depth

- pen tray and 3 drawers for inner height of container 483 mm

complete set code	drawer 3×	drawer slide		damper for full extension slides 6×	pen tray 1×	pen tray slide		SVS locking bar 1×	lock 1×	screws 12×
		right 3×	left 3×			right 1×	left 1×			
195996	153804	308747	308746	×	497989	504231	504232	157889	L00087	153821
195997	153804	308747	308748	×	497989	504231	504234	157889	L00087	153821
195998	153804	153810	153809	×	497989	504231	504232	157889	L00087	153821
195999	153804	153810	153809	308749	497989	504231	504234	157889	L00087	153821
196000	153805	308747	308746	×	497989	504231	504232	157889	L00087	153822
196001	153805	308747	308748	×	497989	504231	504234	157889	L00087	153822
196002	153805	153810	153809	×	497989	504231	504232	157889	L00087	153822
196003	153805	153810	153809	308749	497989	504231	504234	157889	L00087	153822

a Lehmann replacement insert must be ordered with the complete set as required (p. 09.53) and if applicable a rosette (L00066)

office containers – sets



Type 2

pen tray and 3 drawers for inner height of container 515 mm

type of drawer	type of slide	opening/closing	width 292 mm	width 392 mm	
			for depth	for depth	
			540 mm	540 mm	740 mm
metal	partial extension slide	with self-closing system	356578	158510	196004
		with self-closing system and soft closing	356579	158511	196005
		handleless opening	×	351907	×
	full extension slide	with self-closing system	356580	158512	196006
		with self-closing system and soft closing	356581	158513	196007
plastic	partial extension slide	with self-closing system	×	158514	196008
		with self-closing system and soft closing	×	158515	196009
		handleless opening	×	351909	×
	full extension slide	with self-closing system	×	158516	196010
		with self-closing system and soft closing	×	158517	196011

☑ a Lehmann replaceable insert must be ordered with the complete set as required (p. 09.53) and if applicable a rosette (L00066)

Type 2 – 540 mm depth

• pen tray and 3 drawers for inner height of container 515 mm

complete set code	drawer 3×	drawer slide		damper for full extension slides 6×	pen tray 1×	pen tray slide		SVS locking bar 1×	lock 1×	screws 12×	locking pin 3×
		right 3×	left 3×			right 1×	left 1×				
		158510	153781			308744	308743				
158511	153781	308744	308745	×	497989	504231	504234	157890	L00087	153821	×
158512	153781	153787	153786	×	497989	504231	504232	157890	L00087	153821	×
158513	153781	153787	153786	308749	497989	504231	504234	157890	L00087	153821	×
158514	153782	308744	308743	×	497989	504231	504232	157890	L00087	153822	×
158515	153782	308744	308745	×	497989	504231	504234	157890	L00087	153822	×
158516	153782	153787	153786	×	497989	504231	504232	157890	L00087	153822	×
158517	153782	153787	153786	308749	497989	504231	504234	157890	L00087	153822	×
351907	351776	351779	351778	×	497989	497991	497992	157890	352505	153821	351782
351909	351777	351779	351778	×	497989	497991	497992	157890	352505	153822	351782
356578	221366	308744	308743	×	308735	504231	504232	157890	L00087	153821	×
356579	221366	308744	308745	×	308735	504231	504234	157890	L00087	153821	×
356580	221366	153787	153786	×	308735	504231	504232	157890	L00087	153821	×
356581	221366	153787	153786	308749	308735	504231	504234	157890	L00087	153821	×

☑ a Lehmann replacement insert must be ordered with the complete set as required (p. 09.53) and if applicable a rosette (L00066)

¹⁾ the locking pin is already mounted on the drawer

📌 Complete sets are units composed of other codes and are intended for simple ordering of more complex assemblies. They do not have to be stocked out and packaged together.



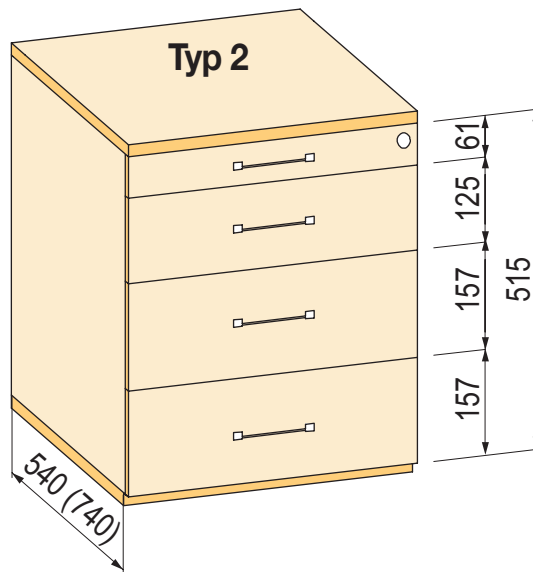
office containers – individual components

Type 2 – 740 mm depth

- pen tray and 3 drawers for inner height of container 515 mm

complete set code	drawer	drawer slide		damper for full extension slides	pen tray	pen tray slide		SVS locking bar	lock	screws
		right	left			right	left			
	3×	3×	3×	6×	1×	1×	1×	1×	12×	
196004	153804	308747	308746	×	497989	504231	504232	157890	L00087	153821
196005	153804	308747	308748	×	497989	504231	504234	157890	L00087	153821
196006	153804	153810	153809	×	497989	504231	504232	157890	L00087	153821
196007	153804	153810	153809	308749	497989	504231	504234	157890	L00087	153821
196008	153805	308747	308746	×	497989	504231	504232	157890	L00087	153822
196009	153805	308747	308748	×	497989	504231	504234	157890	L00087	153822
196010	153805	153810	153809	×	497989	504231	504232	157890	L00087	153822
196011	153805	153810	153809	308749	497989	504231	504234	157890	L00087	153822

☑ a Lehmann replacement insert must be ordered with the complete set as required (p. 09.53) and if applicable a rosette (L00066)



office containers – sets



Type 3

Pen tray and 3 drawers for inner height of container 547 mm

type of drawer	type of slide	opening/closing	width	width	
			292 mm	392 mm	
			for depth	for depth	
			540 mm	540 mm	740 mm
metal	partial extension slide	with self-closing system	356582	158518	196012
		with self-closing system and soft closing	356583	158519	196013
		handleless opening	×	351911	×
	full extension slide	with self-closing system	356584	158520	196014
		with self-closing system and soft closing	356585	158521	196015
plastic	partial extension slide	with self-closing system	×	158522	196016
		with self-closing system and soft closing	×	158523	196017
		handleless opening	×	351913	×
	full extension slide	with self-closing system	×	158524	196018
		with self-closing system and soft closing	×	158525	196019

☑ a Lehmann replaceable insert must be ordered with the complete set as required (p. 09.53) and if applicable a rosette (L00066)

Type 3 – 540 mm depth

- pen tray and 3 drawers for inner height of container 547 mm

complete set code	drawer	drawer slide		damper for full extension slides	pen tray	pen tray slide		SVS locking bar	lock	screws	locking pin
		right	left			right	left				
		3×	3×			3×	6×				
158518	153781	308744	308743	×	497989	504231	504232	157891	L00087	153821	×
158519	153781	308744	308745	×	497989	504231	504234	157891	L00087	153821	×
158520	153781	153787	153786	×	497989	504231	504232	157891	L00087	153821	×
158521	153781	153787	153786	308749	497989	504231	504234	157891	L00087	153821	×
158522	153782	308744	308743	×	497989	504231	504232	157891	L00087	153822	×
158523	153782	308744	308745	×	497989	504231	504234	157891	L00087	153822	×
158524	153782	153787	153786	×	497989	504231	504232	157891	L00087	153822	×
158525	153782	153787	153786	308749	497989	504231	504234	157891	L00087	153822	×
351911	351776	351779	351778	×	497989	497991	497992	157891	352505	153821	351782
351913	351777	351779	351778	×	497989	497991	497992	157891	352505	153822	351782
356582	221366	308744	308743	×	308735	504231	504232	157891	L00087	153821	×
356583	221366	308744	308745	×	308735	504231	504234	157891	L00087	153821	×
356584	221366	153787	153786	×	308735	504231	504232	157891	L00087	153821	×
356585	221366	153787	153786	308749	308735	504231	504234	157891	L00087	153821	×

☑ a Lehmann replacement insert must be ordered with the complete set as required (p. 09.53) and if applicable a rosette (L00066)

¹⁾ the locking pin is already mounted on the drawer

📌 Complete sets are units composed of other codes and are intended for simple ordering of more complex assemblies. They do not have to be stocked out and packaged together.



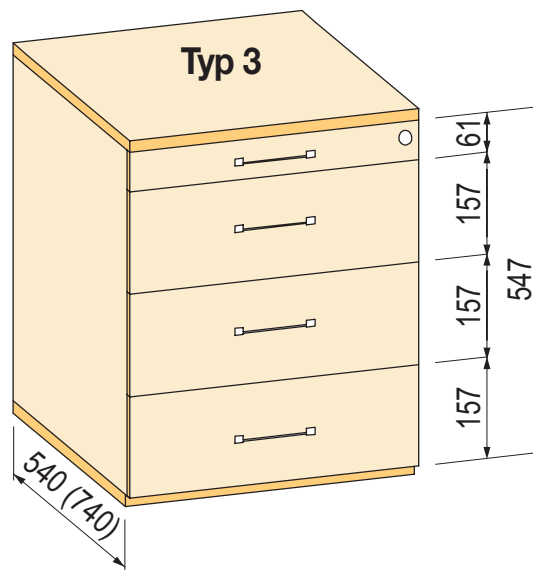
office containers – individual components

Type 3 – 740 mm depth

- pen tray and 3 drawers for inner height of container 547 mm

complete set code	drawer	drawer slide		damper for full extension slides	pen tray	pen tray slide		SVS locking bar	lock	screws
		right	left			right	left			
	3×	3×	3×	6×	1×	1×	1×	1×	12×	
196012	153804	308747	308746	×	497989	504231	504232	157891	L00087	153821
196013	153804	308747	308748	×	497989	504231	504234	157891	L00087	153821
196014	153804	153810	153809	×	497989	504231	504232	157891	L00087	153821
196015	153804	153810	153809	308749	497989	504231	504234	157891	L00087	153821
196016	153805	308747	308746	×	497989	504231	504232	157891	L00087	153822
196017	153805	308747	308748	×	497989	504231	504234	157891	L00087	153822
196018	153805	153810	153809	×	497989	504231	504232	157891	L00087	153822
196019	153805	153810	153809	308749	497989	504231	504234	157891	L00087	153822

☑ a Lehmann replacement insert must be ordered with the complete set as required (p. 09.53) and if applicable a rosette (L00066)



office containers – sets



Type 4

Pen tray and 3 drawers for inner height of container 579 mm

type of drawer	type of slide	opening/closing	width		
			292 mm	392 mm	
			for depth		
			540 mm	740 mm	
metal	partial extension slide	with self-closing system	356586	158526	196020
		with self-closing system and soft closing	356587	158527	196021
		handleless opening	×	351915	×
	full extension slide	with self-closing system	356588	158528	196022
		with self-closing system and soft closing	356589	158529	196023
plastic	partial extension slide	with self-closing system	×	158530	196024
		with self-closing system and soft closing	×	158531	196025
		handleless opening	×	351917	×
	full extension slide	with self-closing system	×	158532	196026
		with self-closing system and soft closing	×	158533	196027

☑ a Lehmann replaceable insert must be ordered with the complete set as required (p. 09.53) and if applicable a rosette (L00066)

Type 4 – 540 mm depth

- pen tray and 3 drawers for inner height of container 579 mm

complete set code	drawer 3×	drawer slide		damper for full extension slides 6×	pen tray 1×	pen tray slide		SVS locking bar 1×	lock 1×	screws 12×	locking pin 3×
		right 3×	left 3×			right 1×	left 1×				
158526	153781	308744	308743	×	497989	504231	504232	157892	L00087	153821	×
158527	153781	308744	308745	×	497989	504231	504234	157892	L00087	153821	×
158528	153781	153787	153786	×	497989	504231	504232	157892	L00087	153821	×
158529	153781	153787	153786	308749	497989	504231	504234	157892	L00087	153821	×
158530	153782	308744	308743	×	497989	504231	504232	157892	L00087	153822	×
158531	153782	308744	308745	×	497989	504231	504234	157892	L00087	153822	×
158532	153782	153787	153786	×	497989	504231	504232	157892	L00087	153822	×
158533	153782	153787	153786	308749	497989	504231	504234	157892	L00087	153822	×
351915	351776	351779	351778	×	497989	497991	497992	157892	352505	153821	351782
351917	351777	351779	351778	×	497989	497991	497992	157892	352505	153822	351782
356586	221366	308744	308743	×	308735	504231	504232	157892	L00087	153821	×
356587	221366	308744	308745	×	308735	504231	504234	157892	L00087	153821	×
356588	221366	153787	153786	×	308735	504231	504232	157892	L00087	153821	×
356589	221366	153787	153786	308749	308735	504231	504234	157892	L00087	153821	×

☑ a Lehmann replacement insert must be ordered with the complete set as required (p. 09.53) and if applicable a rosette (L00066)

¹⁾ the locking pin is already mounted on the drawer

📌 Complete sets are units composed of other codes and are intended for simple ordering of more complex assemblies. They do not have to be stocked out and packaged together.



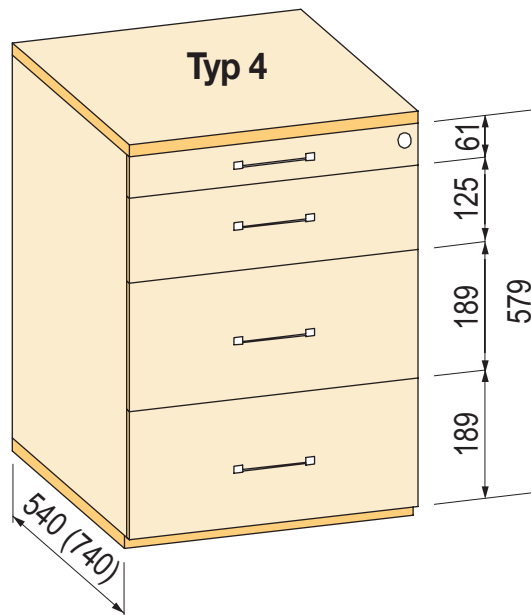
office containers – individual components

Type 4 – 740 mm depth

- pen tray and 3 drawers for inner height of container 579 mm

complete set code	drawer	drawer slide		damper for full extension slides	pen tray	pen tray slide		SVS locking bar	lock	screws
		right	left			right	left			
	3×	3×	3×	6×	1×	1×	1×	1×	12×	
196020	153804	308747	308746	×	497989	504231	504232	157892	L00087	153821
196021	153804	308747	308748	×	497989	504231	504234	157892	L00087	153821
196022	153804	153810	153809	×	497989	504231	504232	157892	L00087	153821
196023	153804	153810	153809	308749	497989	504231	504234	157892	L00087	153821
196024	153805	308747	308746	×	497989	504231	504232	157892	L00087	153822
196025	153805	308747	308748	×	497989	504231	504234	157892	L00087	153822
196026	153805	153810	153809	×	497989	504231	504232	157892	L00087	153822
196027	153805	153810	153809	308749	497989	504231	504234	157892	L00087	153822

☑ a Lehmann replacement insert must be ordered with the complete set as required (p. 09.53) and if applicable a rosette (L00066)



office containers – sets



Type 5

Pen tray, 1 elevated drawer (for frame for suspension files) and another standard drawer, for inner height of container 544 mm

type of drawer	type of slide	opening/closing	width 292 mm		width 392 mm	
			for depth		for depth	
			540 mm	540 mm	740 mm	740 mm
metal	partial extension slide	with self-closing system	356590	158534	196028	
		with self-closing system and soft closing	356591	158535	196029	
		handleless opening	×	351919		×
	full extension slide	with self-closing system	356592	158536	196030	
		with self-closing system and soft closing	356593	158537	196031	
plastic	partial extension slide	with self-closing system	×	158538	196032	
		with self-closing system and soft closing	×	158539	196033	
		handleless opening	×	351921		×
	full extension slide	with self-closing system	×	158540	196034	
		with self-closing system and soft closing	×	158541	196035	

a Lehmann replaceable insert must be ordered with the complete set as required (p. 09.53) and if applicable a rosette (L00066)

Type 5 – 540 mm depth

• pen tray, 1 elevated drawer (for frame for suspension files) and another standard drawer for inner height of container 544 mm

complete set code	drawer	drawer slide		damper for full extension slides	pen tray	pen tray slide		SVS locking bar	lock	screws	front panel brace	extension of the filing cabinet	extra extension of the filing cabinet	locking pin
		right	left			right	left							
		2×	2×			2×	4×							
158534	153781	308744	308743	×	497989	504231	504232	157893	L00087	153821	153799	153797	229159	×
158535	153781	308744	308745	×	497989	504231	504234	157893	L00087	153821	153799	153797	229159	×
158536	153781	153787	153786	×	497989	504231	504232	157893	L00087	153821	153799	153797	229159	×
158537	153781	153787	153786	308749	497989	504231	504234	157893	L00087	153821	153799	153797	229159	×
158538	153782	308744	308743	×	497989	504231	504232	157893	L00087	153822	153800	153797	229159	×
158539	153782	308744	308745	×	497989	504231	504234	157893	L00087	153822	153800	153797	229159	×
158540	153782	153787	153786	×	497989	504231	504232	157893	L00087	153822	153800	153797	229159	×
158541	153782	153787	153786	308749	497989	504231	504234	157893	L00087	153822	153800	153797	229159	×
351919	351776	351779	351778	×	497989	497991	497992	157893	352505	153821	153799	153797	229159	351782
351921	351777	351779	351778	×	497989	497991	497992	157893	352505	153822	153800	153797	229159	351782
356590	221366	308744	308743	×	308735	504231	504232	157893	L00087	153821	153799	259777	×	×
356591	221366	308744	308745	×	308735	504231	504234	157893	L00087	153821	153799	259777	×	×
356592	221366	153787	153786	×	308735	504231	504232	157893	L00087	153821	153799	259777	×	×
356593	221366	153787	153786	308749	308735	504231	504234	157893	L00087	153821	153799	259777	×	×

a Lehmann replacement insert must be ordered with the complete set as required (p. 09.53) and if applicable a rosette (L00066)

¹⁾ the locking pin is already mounted on the drawer

Complete sets are units composed of other codes and are intended for simple ordering of more complex assemblies. They do not have to be stocked out and packaged together.



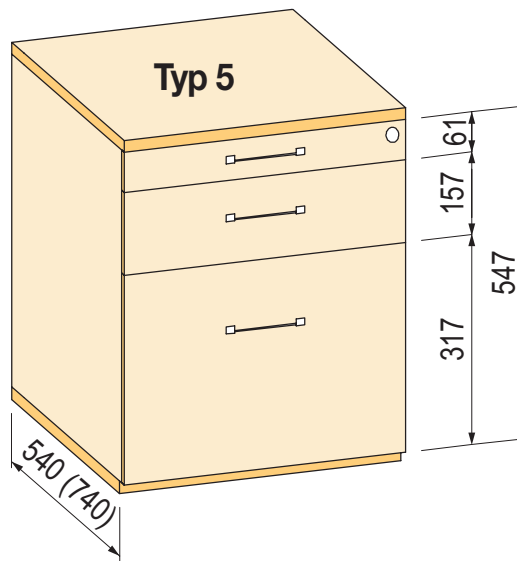
office containers – individual components

Type 5 – 740 mm depth

- pen tray, 1 elevated drawer (for frame for suspension files) and another standard drawer for inner height of container 544 mm

complete set code	drawer	drawer slide		damper for full extension slides	pen tray	pen tray slide		SVS locking bar	lock	screws	front clip	extension of the filing cabinet
		right	left			right	left					
		2×	2×			2×	4×					
196028	153804	308747	308746	×	497989	504231	504232	157893	L00087	153821	153799	153797
196029	153804	308747	308748	×	497989	504231	504234	157893	L00087	153821	153799	153797
196030	153804	153810	153809	×	497989	504231	504232	157893	L00087	153821	153799	153797
196031	153804	153810	153809	308749	497989	504231	504234	157893	L00087	153821	153799	153797
196032	153805	308747	308746	×	497989	504231	504232	157893	L00087	153822	153800	153797
196033	153805	308747	308748	×	497989	504231	504234	157893	L00087	153822	153800	153797
196034	153805	153810	153809	×	497989	504231	504232	157893	L00087	153822	153800	153797
196035	153805	153810	153809	308749	497989	504231	504234	157893	L00087	153822	153800	153797

☑ a Lehmann replacement insert must be ordered with the complete set as required (p. 09.53) and if applicable a rosette (L00066)



office containers – sets



Type 6

3 drawers for inner height of container 483 mm

type of drawer	type of slide	opening/closing	width 292 mm	width 392 mm	
			for depth	for depth	
			540 mm	540 mm	740 mm
metal	partial extension slide	with self-closing system	482371	482335	482355
		with self-closing system and soft closing	482372	482356	482357
	full extension slide	with self-closing system	482373	482358	482359
		with self-closing system and soft closing	482374	482360	482362
plastic	partial extension slide	with self-closing system	×	482363	482364
		with self-closing system and soft closing	×	482365	482366
	full extension slide	with self-closing system	×	482367	482368
		with self-closing system and soft closing	×	482369	482370

• Complete set type 6 only for ORGA AER

☑ a Lehmann replaceable insert must be ordered with the complete set as required (p. 09.53) and if applicable a rosette (L00066)

Type 6 – 540 mm depth

3 drawers for inner height of container 483 mm

complete set code	drawer	drawer slide		damper for full extension slides	SVS locking bar	lock	screws
		right	left				
		3×	3×				
482335	153781	308744	308743	×	481506	122965	153821
482356	153781	308744	308745	×	481506	122965	153821
482358	153781	153787	153786	×	481506	122965	153821
482360	153781	153787	153786	308749	481506	122965	153821
482363	153782	308744	308743	×	481506	122965	153821
482365	153782	308744	308745	×	481506	122965	153821
482367	153782	153787	153786	×	481506	122965	153821
482369	153782	153787	153786	308749	481506	122965	153821
482371	221366	308744	308743	×	481506	122965	153821
482372	221366	308744	308745	×	481506	122965	153821
482373	221366	153787	153786	×	481506	122965	153821
482374	221366	153787	153786	308749	481506	122965	153821

☑ a Lehmann replacement insert must be ordered with the complete set as required (p. 09.53) and if applicable a rosette (L00066)

📌 Complete sets are units composed of other codes and are intended for simple ordering of more complex assemblies. They do not have to be stocked out and packaged together.



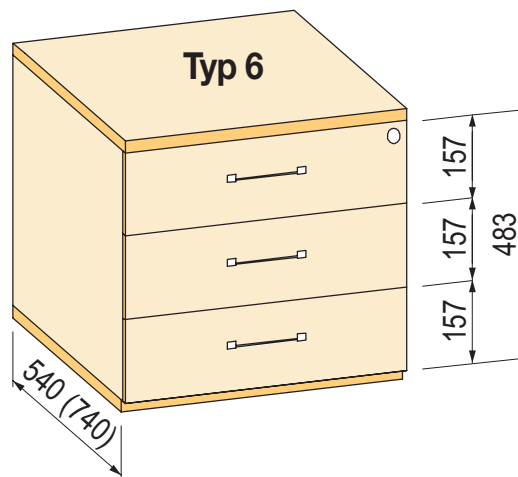
office containers – individual components

Type 6 – 740 mm depth

- 3 drawers for inner height of container 483 mm

complete set code	drawer	drawer slide		damper for full extension slides	SVS locking bar	lock	screws
		right	left				
	3×	3×	3×	6×	1×	1×	12×
482355	153804	308747	308746	×	481506	122965	153821
482357	153804	308747	308748	×	481506	122965	153821
482359	153804	153810	153809	×	481506	122965	153821
482362	153804	153810	153809	308749	481506	122965	153821
482364	153805	308747	308746	×	481506	122965	153821
482366	153805	308747	308748	×	481506	122965	153821
482368	153805	153810	153809	×	481506	122965	153821
482370	153805	153810	153809	308749	481506	122965	153821

☑ a Lehmann replacement insert must be ordered with the complete set as required (p. 09.53) and if applicable a rosette (L00066)



office containers – sets



Type 7

4 drawers for inner height of container 515 mm

type of drawer	type of slide	opening/closing	width 292 mm	width 392 mm	
			for depth		
			540 mm	540 mm	740 mm
metal	partial extension slide	with self-closing system	356598	229211	229221
		with self-closing system and soft closing	356599	229212	229222
	full extension slide	with self-closing system	356600	229213	229224
		with self-closing system and soft closing	356601	229219	229226
plastic	partial extension slide	with self-closing system	×	229215	229225
		with self-closing system and soft closing	×	229216	229227
	full extension slide	with self-closing system	×	229217	229228
		with self-closing system and soft closing	×	229218	229229

• Complete set type 7 only for ORGA AER system

☒ a Lehmann replaceable insert must be ordered with the complete set as required (p. 09.53) and if applicable a rosette (L00066)

Type 7 – 540 mm depth

• 4 drawers for inner height of container 515 mm

complete set code	drawer 4 ×	drawer slide		damper for full extension slides 8 ×	SVS locking bar 1 ×	lock 1 ×	screws 16 ×
		right 4 ×	left 4 ×				
229211	153781	308744	308743	×	228264	122965	153821
229212	153781	308744	308745	×	228264	122965	153821
229213	153781	153787	153786	×	228264	122965	153821
229219	153781	153787	153786	308749	228264	122965	153821
229215	153782	308744	308743	×	228264	122965	153822
229216	153782	308744	308745	×	228264	122965	153822
229217	153782	153787	153786	×	228264	122965	153822
229218	153782	153787	153786	308749	228264	122965	153822
356598	221366	308744	308743	×	228264	122965	153821
356599	221366	308744	308745	×	228264	122965	153821
356600	221366	153787	153786	×	228264	122965	153821
356601	221366	153787	153786	308749	228264	122965	153821

☒ a Lehmann replacement insert must be ordered with the complete set as required (p. 09.53) and if applicable a rosette (L00066)

📌 Complete sets are units composed of other codes and are intended for simple ordering of more complex assemblies. They do not have to be stocked out and packaged together.



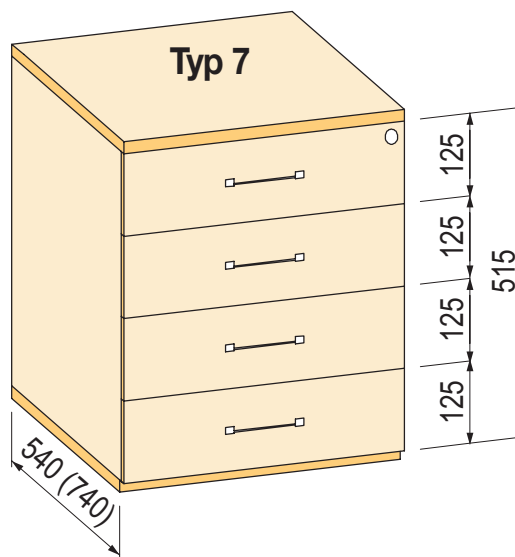
office containers – individual components

Type 7 – 740 mm depth

- 4 drawers for inner height of container 515 mm

complete set code	drawer	drawer slide		damper for full extension slides	SVS locking bar	lock	screws
		right	left				
	4×	4×	4×	8×	1×	1×	16×
229221	153804	308747	308746	×	228264	122965	153821
229222	153804	308747	308748	×	228264	122965	153821
229224	153804	153810	153809	×	228264	122965	153821
229226	153804	153810	153809	308749	228264	122965	153821
229225	153805	308747	308746	×	228264	122965	153822
229227	153805	308747	308748	×	228264	122965	153822
229228	153805	153810	153809	×	228264	122965	153822
229229	153805	153810	153809	308749	228264	122965	153822

☑ a Lehmann replacement insert must be ordered with the complete set as required (p. 09.53) and if applicable a rosette (L00066)



office containers – sets



Type 8

4 drawers for inner height of container 643 mm

type of drawer	type of slide	opening/closing	width 292 mm	width 392 mm	
			for depth		
			540 mm	540 mm	740 mm
metal	partial extension slide	with self-closing system	356602	336574	336609
		with self-closing system and soft closing	356603	336575	336610
	full extension slide	with self-closing system	356604	336579	336611
		with self-closing system and soft closing	356605	336597	336612
plastic	partial extension slide	with self-closing system	×	336599	336613
		with self-closing system and soft closing	×	336600	336614
	full extension slide	with self-closing system	×	336605	336615
		with self-closing system and soft closing	×	336607	336616

• Complete set type 8 only for ORGA AER system

☐ a Lehmann replaceable insert must be ordered with the complete set as required (p. 09.53) and if applicable a rosette (L00066)

Type 8 – 540 mm depth

• 4 drawers for inner height of container 643 mm

complete set code	drawer	drawer slide		damper for full extension slides	SVS locking bar	lock	screws
		right	left				
	4×	4×	4×	8×	1×	1×	16×
336574	153781	308744	308743	×	232174	122965	153821
336575	153781	308744	308745	×	232174	122965	153821
336579	153781	153787	153786	×	232174	122965	153821
336597	153781	153787	153786	308749	232174	122965	153821
336599	153782	308744	308743	×	232174	122965	153822
336600	153782	308744	308745	×	232174	122965	153822
336605	153782	153787	153786	×	232174	122965	153822
336607	153782	153787	153786	308749	232174	122965	153822
356602	221366	308744	308743	×	232174	122965	153821
356603	221366	308744	308745	×	232174	122965	153821
356604	221366	153787	153786	×	232174	122965	153821
356605	221366	153787	153786	308749	232174	122965	153821

☐ a Lehmann replacement insert must be ordered with the complete set as required (p. 09.53) and if applicable a rosette (L00066)

📌 Complete sets are units composed of other codes and are intended for simple ordering of more complex assemblies. They do not have to be stocked out and packaged together.



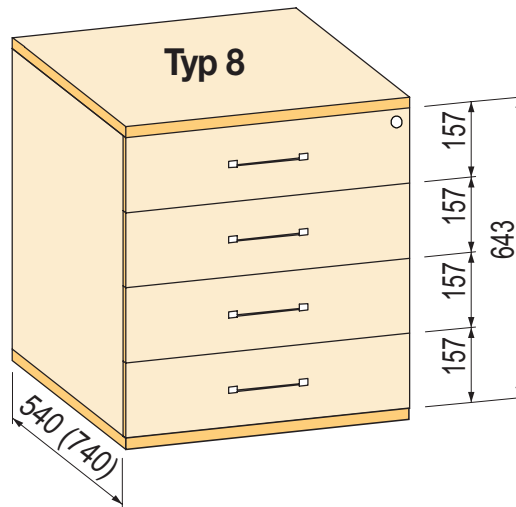
office containers – individual components

Type 8 – 740 mm depth

- 4 drawers for inner height of container 643 mm

complete set code	drawer	drawer slide		damper for full extension slides	SVS locking bar	lock	screws
		right	left				
	4×	4×	4×	8×	1×	1×	16×
336609	153804	308747	308746	×	232174	122965	153821
336610	153804	308747	308748	×	232174	122965	153821
336611	153804	153810	153809	×	232174	122965	153821
336612	153804	153810	153809	308749	232174	122965	153821
336613	153805	308747	308746	×	232174	122965	153822
336614	153805	308747	308748	×	232174	122965	153822
336615	153805	153810	153809	×	232174	122965	153822
336616	153805	153810	153809	308749	232174	122965	153822

a Lehmann replacement insert must be ordered with the complete set as required (p. 09.53) and if applicable a rosette (L00066)



office containers – sets



Type 9

Pen tray and 4 drawers for inner height of container 652 mm

type of drawer	type of slide	opening/closing	width 292 mm		width 392 mm	
			for depth		for depth	
			540 mm	540 mm	740 mm	
metal	partial extension slide	with self-closing system	356594	196139	196147	
		with self-closing system and soft closing	356595	196140	196148	
		handleless opening	×	351935	×	
	full extension slide	with self-closing system	356596	196141	196149	
		with self-closing system and soft closing	356597	196142	196150	
plastic	partial extension slide	with self-closing system	×	196143	196151	
		with self-closing system and soft closing	×	196144	196152	
		handleless opening	×	351937	×	
	full extension slide	with self-closing system	×	196145	196153	
		with self-closing system and soft closing	×	196146	196154	

☐ a Lehmann replaceable insert must be ordered with the complete set as required (p. 09.53) and if applicable a rosette (L00066)

Type 9 – 540 mm depth

• pen tray and 4 drawers for inner height of container 652 mm

complete set code	drawer 4×	drawer slide		damper for full extension slides 8×	pen tray 1×	pen tray slide		SVS locking bar 1×	lock 1×	screws 16×	locking pin 3×
		right 4×	left 4×			right 1×	left 1×				
		196139	153781			308744	308743				
196140	153781	308744	308745	×	497989	504231	504234	176242	L00087	153821	×
196141	153781	153787	153786	×	497989	504231	504232	176242	L00087	153821	×
196142	153781	153787	153786	308749	497989	504231	504234	176242	L00087	153821	×
196143	153782	308744	308743	×	497989	504231	504232	176242	L00087	153822	×
196144	153782	308744	308745	×	497989	504231	504234	176242	L00087	153822	×
196145	153782	153787	153786	×	497989	504231	504232	176242	L00087	153822	×
196146	153782	153787	153786	308749	497989	504231	504234	176242	L00087	153822	×
351935	351776	351779	351778	×	497989	497991	497992	176242	352505	153821	351782
351937	351777	351779	351778	×	497989	497991	497992	176242	352505	153822	351782
356594	221366	308744	308743	×	308735	504231	504232	176242	L00087	153821	×
356595	221366	308744	308745	×	308735	504231	504234	176242	L00087	153821	×
356596	221366	153787	153786	×	308735	504231	504232	176242	L00087	153821	×
356597	221366	153787	153786	308749	308735	504231	504234	176242	L00087	153821	×

☐ a Lehmann replacement insert must be ordered with the complete set as required (p. 09.53) and if applicable a rosette (L00066)

¹⁾ the locking pin is already mounted on the drawer

📌 Complete sets are units composed of other codes and are intended for simple ordering of more complex assemblies. They do not have to be stocked out and packaged together.



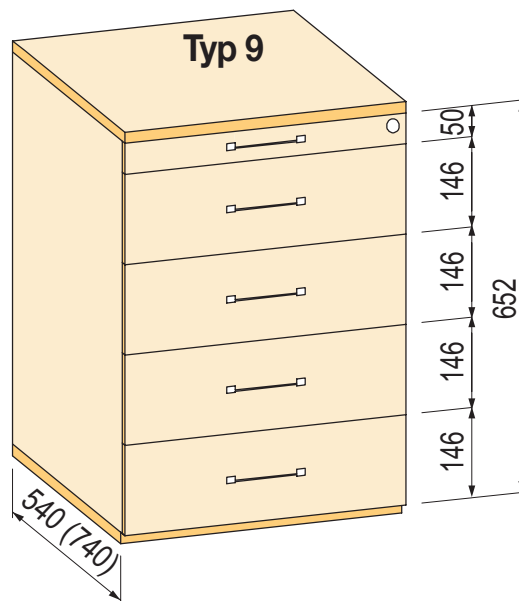
office containers – individual components

Type 9 – 740 mm depth

- pen tray and 4 drawers for inner height of container 652 mm

complete set code	drawer	drawer slide		damper for full extension slides	pen tray	pen tray slide		SVS locking bar	lock	screws
		right	left			right	left			
	4 ×	4 ×	4 ×	8 ×	1 ×	1 ×	1 ×	1 ×	16 ×	
196147	153804	308747	308746	×	497989	504231	504232	176242	L00087	153821
196148	153804	308747	308748	×	497989	504231	504234	176242	L00087	153821
196149	153804	153810	153809	×	497989	504231	504232	176242	L00087	153821
196150	153804	153810	153809	308749	497989	504231	504234	176242	L00087	153821
196151	153805	308747	308746	×	497989	504231	504232	176242	L00087	153822
196152	153805	308747	308748	×	497989	504231	504234	176242	L00087	153822
196153	153805	153810	153809	×	497989	504231	504232	176242	L00087	153822
196154	153805	153810	153809	308749	497989	504231	504234	176242	L00087	153822

☑ a Lehmann replacement insert must be ordered with the complete set as required (p. 09.53) and if applicable a rosette (L00066)



universal locking bar

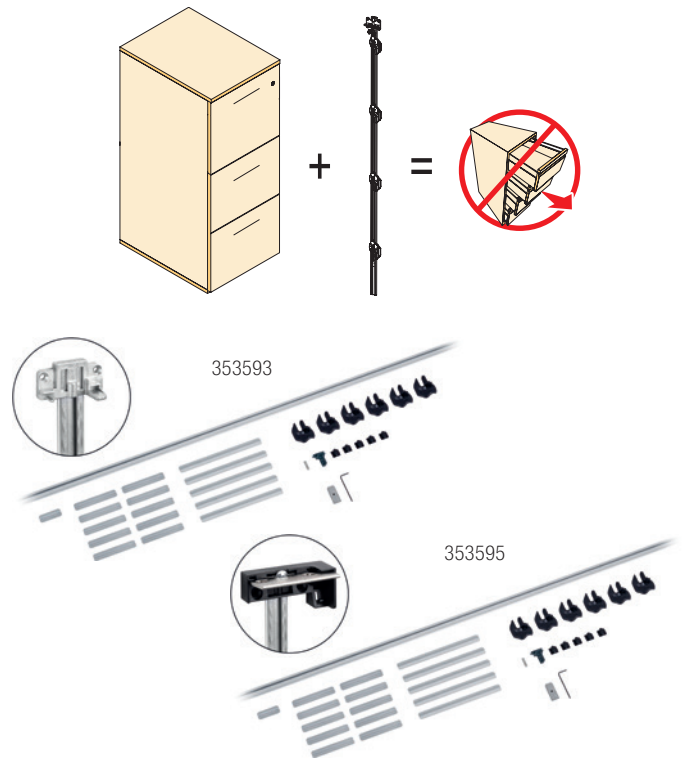
Set for creating an individual locking bar

The universal set serves to create your own SVS3 locking bar for your own container solution. All you need to do is assemble the SVS3 locking bar with a 32 mm grid. The set is therefore universal, but it is necessary to observe several conditions that are determined by the technical design of the bar.

Main features:

- possibility to build custom container solution
- for inner width of container 392 and 292 mm
- for ORGA AER I TIP AER series
- it is necessary to adhere to the 32 mm grid
- simple calculation and assembly of the locking bar
- the set includes a solution for locking up to 6 drawers for an inner height of the cabinet body of up to 1000 mm
- There are two sets to choose from:
 - for containers with pen tray
 - for containers without pen tray

code	description
353593	SVS3 packet for BBP containers with pen tray
353595	SVS3 packet for BBP containers without pen tray



Drawer under the tabletop

code	description	colour
402767	drawer including full extension slides with self-closing system	white
402768		black
402770	set of spacers for the drawer	white
402771		black



- suitable for tabletops with a maximum connecting bar height of 50 mm
- internal dimensions: width 305 × depth 345 × height 40 mm
- outer dimensions: width 430 × depth 410 × height 70 mm
- full extension slides with soft closing
- Lehmann lock is included in the package
- set of spacers contains:
 - front spacer 1 pc, height 53 mm
 - rear spacer shafts 2 pcs, height 53 mm
 - 6 screws 4.5 × 70 mm for mounting to the tabletop
- option of connecting max. 2 drawers on top of each other
- use 4 × 30 mm screws (not included) to connect two drawers one on top of the other
- 🔗 a cylinder insert must be purchased additionally, see p. 09.53



reddot winner 2020





cabinet hanging filing cabinets – individual components

Orga Aer

- suspension frames and wide drawers of the Orga Aer system offer a wide range possibilities of cabinets and filing cabinets
- cabinet equipment can also be supplied in non-standard sizes according to the conditions of the supplier
- everything is always organised so that both design and quality stand out together with clear arrangement
- the Orga Aer system is protected against tipping over of the filing cabinets by the SVS3 locking bar
- suitable for hanging folders and filing cabinets that possess a hook for hanging (they are commonly available e.g. in stationeries)



Drawers and frames

code	inner width (mm)	depth (mm)	description
153811	762	390	cabinet metal frame for suspension files
394745	412	540	cabinet metal frame for suspension files
394746		390	

- for width 762, 8 pcs of screws (153821) are needed to attach the front
- for width 412, 4 pcs of screws (153821) are needed to attach the front



394746



153811

Full extension slides for cabinet drawers and frames

code	length (mm)	load capacity (kg)	description
503412	390	60	left with self-closing system and soft closing
503413			right with self-closing system and soft closing
503414	540	65	left with self-closing system and soft closing
503415			right with self-closing system and soft closing



12345 Item in stock

12345 Item on demand

Divider for suspension filing cabinet with depth 390 mm

code	description
153815	metal divider

- serves to divide the frame for suspension files into two parts
- thanks to this divider, it is possible to hang files both lengthwise and crosswise



Front panel brace for high front

code	description
153816	metal front panel

- front panel brace is used to reinforce the front of a high cabinet drawer or a suspension filing cabinet
- piece in package (2 pieces of clips are required for one drawer or frame)



Frame covers

code	description
153823	plastic right cover for drawers and frames
153824	plastic left cover for drawers and frames
153825	plastic right cover for drawers and frames

- only serves to cover the front of the drawers and frames if used for a cabinet with doors (without the fronts of drawers)
- the right and left parts are for the version with an internal width of 762 and 412 mm
- the centre part is for the 762 mm version and it is necessary to shorten it for the inner width of 412 mm

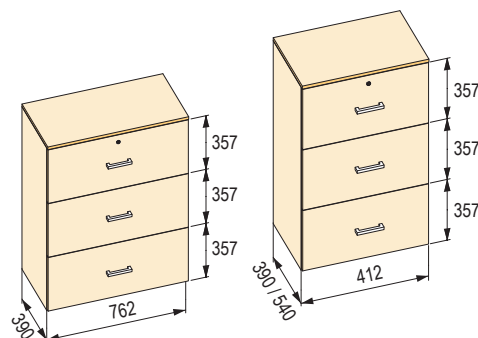


hanging filing cabinets – sets



Type R3

code	inner width (mm)	depth (mm)	soft closing	front height (mm)	inner height (mm)	number of drawers
283884	762	390	yes	357	1076	3
283885			no			
394750	yes					
394753	no					
394757	412	540	yes			
394758			no			

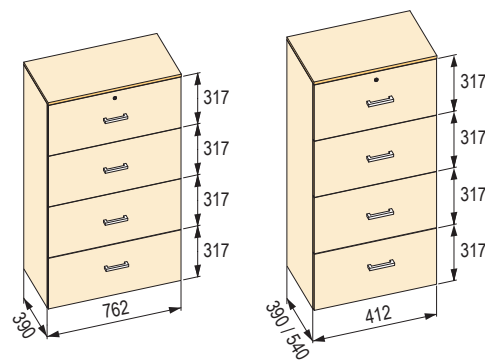


Overview table of the individual components of the complete sets

code of complete set	frame	frame slides		lateral divider	front panel brace	SVS locking bar		extending bar lock	bar for extending bar lock	extending bar guide
		left	right			left	right			
283884	153811	3×	3×	3×	6×	1×	1×	1×	2×	2×
283885										
394750	394746	3×	3×	3×	153816	176244	176243	180983	181173	L00031
394753										
394757	394745	3×	3×	3×	×				394741	
394758										

Type R4

code	inner width (mm)	depth (mm)	soft closing	front height (mm)	inner height (mm)	number of drawers
283882	762	390	yes	317	1276	4
283883			no			
394754	yes					
394756	412	540	no			
394759			yes			
394760			no			



Overview table of the individual components of the complete sets

code of complete set	frame	frame slides		lateral divider	front panel brace	SVS locking bar		extending bar lock	bar for extending bar lock	extending bar guide
		left	right			left	right			
283882	153811	4×	4×	4×	8×	1×	1×	1×	2×	2×
283883										
394754	394746	4×	4×	4×	153816	352514	352515	180983	181173	L00031
394756										
394759	394745	4×	4×	4×	×				394741	
394760										

- a Lehmann replacement insert must be ordered with the complete set as required (p. 09.53) and if applicable a rosette (L00066)
- screws (code 153821) are supplied separately as required
- 8 pcs of screws are needed for one drawer

❗ Complete sets are units composed of other codes and are intended for simple ordering of more complex assemblies. They do not have to be stocked out and packaged together

Metal with soft closing

code	outer dimensions (mm)	colour	mounting hole (mm)
353350	200 × 90	① brushed aluminium	78 × 188
353351		② white matt	
353352		③ brushed black	
353354	300 × 90	① brushed aluminium	78 × 288
353355		② white matt	
353356		③ brushed black	

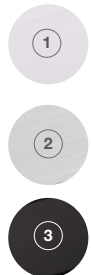
- height: 28 mm
- design look
- material: aluminium



Metal without soft closing

code	outer dimensions (mm)	colour	mounting hole (mm)
495485	100 × 100	① white	82 × 84
495486		② aluminium	
495487		③ black	
495488	100 × 240	① white	82 × 224
495490		② aluminium	
495491		③ black	
495492	100 × 300	① white	82 × 284
495493		② aluminium	
495495		③ black	

- height: 29 mm
- basic model of an aluminium cable exit
- material: aluminium



Plastic Light

code	outer dimensions (mm)	colour
547375	152 × 62 × 18	silver, RAL 9006
547374		black, RAL 9005

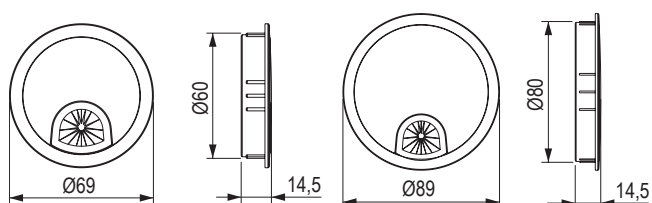
- height: 18 mm
- assembly hole dimensions 145 × 55 mm, radius of corners 12 mm
- material: plastic



cable exit

Metal

code	mounting hole diameter (mm)	colour
11618	60	① brushed steel
11619		② aluminium
525921		③ black
11616	80	① brushed steel
11617		② aluminium
495502		③ black



Plastic

code	mounting hole diameter (mm)	colour
11345	60	① walnut
11346		② birch/maple
11347		③ silver
11348		④ alder
84401		⑤ white
84402		⑥ light grey
84403		⑦ beech
84404		⑧ brown
84405		⑨ black
84406		⑩ cherry
130823		⑪ light beech
494432	80	① walnut
494431		② birch/maple
494429		③ silver
494428		④ alder
494433		⑤ white
494434		⑥ light grey
494435		⑦ beech
494437		⑧ brown
494438		⑨ black
494436		⑩ cherry
494439		⑪ light beech

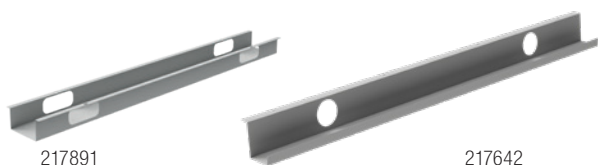


cable guiding

Cable channel

dimensions (mm)	colour		
	silver	white	black
980 × 55	217892	220022	219516
1050 × 72	217642	219773	219267

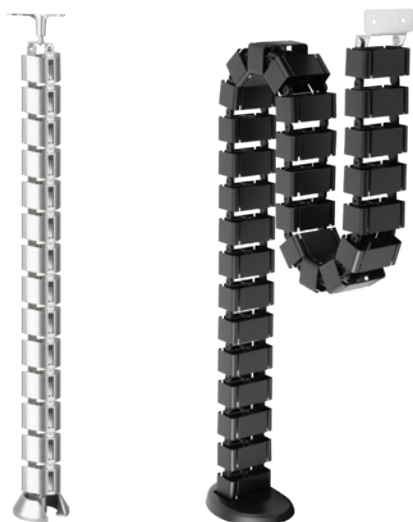
- attachment from the bottom side of the tabletop by screws
- material: steel



Vertical cable guide

code	colour	description	length (mm)
541389	silver	round	800
541390	silver	flexi	1260
541391	black	flexi	1260
541392	white	flexi	1260

- the length can be adjusted as needed
- flexi version suitable for electrically adjustable bases



Cable connecting nodes and clips

code	type	colour	for max. cable diameter (mm)
494773	spring	black	9
494774		white natural	
494775	mini	black	5,6
494776		white natural	
494777	midi	black	15,8
494778		white natural	

- for attaching and guiding cables inside furniture
- material: polyamide



code	description
403109	one-sided
403111	double-sided

- material: plastic

