



fittings for interior doors



DOOR LAMINATES

We can supply Egger laminates for door casing on demand. The decor of the door is then precisely matched to the furniture.



MATERIAL FOR DOOR PRODUCTION

MDF, honeycomb, solid wood, we will supply you with the material for the production of doors, just choose on our portal www.demos24plus.com.




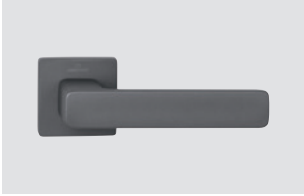






PORTAL

A customer portal for shopping, order overview, placing formatting orders and checking their status, information about stock and your prices and much more in one place.









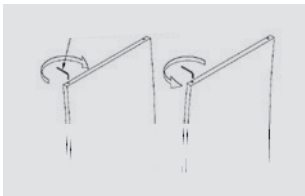
DELIVERY TO YOUR DOOR

All orders will be delivered to your hands within 72 hours.

	contemporary handles	14.6
	attractive handles	14.7
	load handles	14.8
	modern handles	14.9
	historic handles	14.11
	safety handles	14.13
	flush pull handles	14.14
	door hinges	14.15



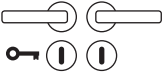

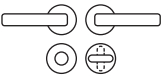


contents

	handles	14.15
	hinges for non-rebated doors	14.16
	fittings for semi-groove doors	14.20
	cylindrical inserts	14.22
	drop seal door stop	14.23
	mortise locks	14.24
	door straighteners & stabilisers	14.28

Types of door locks

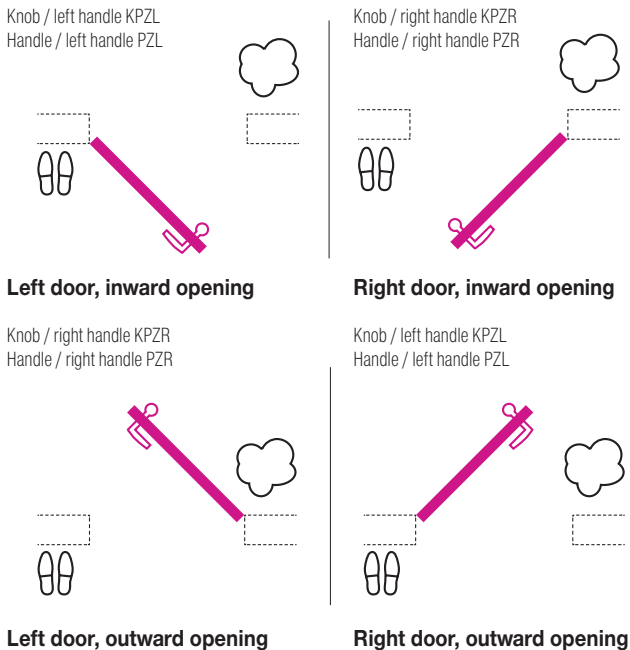
There are several abbreviations in the catalogue that indicate the lock type available. Select the type carefully with respect to which doors you will install the lock / handle on. – interior or safety doors.

Abbreviations indicate the lock type available:

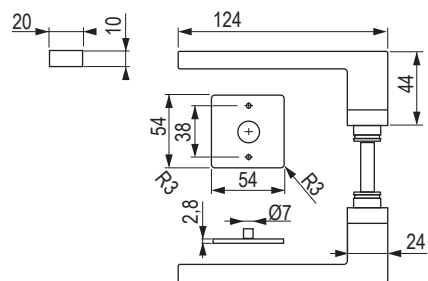
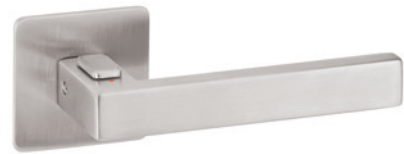
- BB**  lock with a hole for a classic key for key-operated lock – flat entrance doors
- PZ**  lock for a key with cylinder insert – for entrance doors, offices
- WC**  set used for bathrooms and toilets, on the inside of the door there is a lock (so called “turn and release”), from the opposite outer side, there is a rose with a groove for opening in case of emergency
- KPZL**  set of knob – left handle, lock with cylinder insert, handle inside, knob outside
- KPZR**  set of knob – right handle, lock with cylinder insert, handle inside, ball outside

How to select a handle depending on the door opening direction and hinge position

The following picture will help you to determine the direction of door opening and related orientation of the fitting:



Cuboid HR H1682 FL FAST LOCK

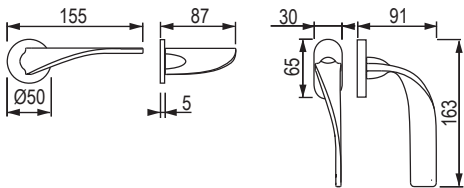


option	black matt	matt stainless steel
left	508996	509295
right	508997	509294



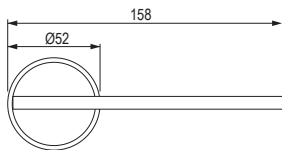
contemporary handles

Filoo P1210



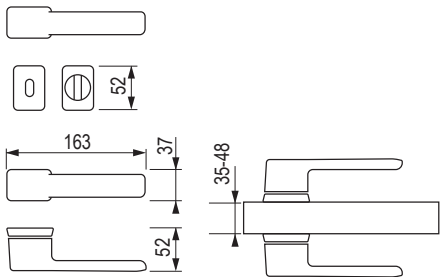
black matt			red copper		
BB	PZ	WC	BB	PZ	WC
509279	509280	509281	509282	509283	509284

Solaris P1230



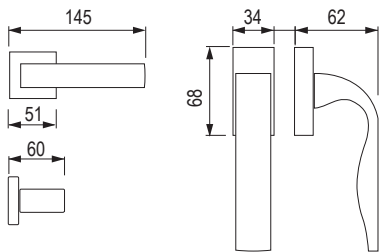
black matt			red copper		
BB	PZ	WC	BB	PZ	WC
509285	509286	509287	509288	509289	509290

Coral HR HA 200



matt brass			matt nickel			black matt		
BB	PZ	WC	BB	PZ	WC	BB	PZ	WC
509291	509292	509293	452412	452414	452416	452411	452413	452415

Eidos Q03 HR



matt nickel		
BB	PZ	WC
363260	363299	363600

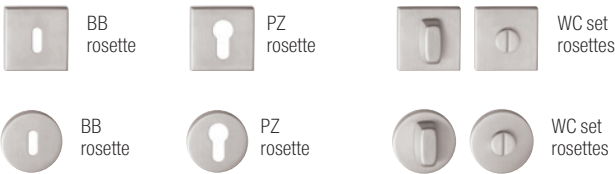
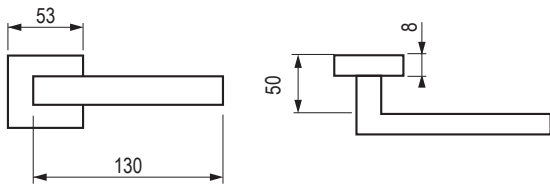
12345 Item in stock

12345 Item on demand

attractive handles



Leko Vision H 1892R METAL

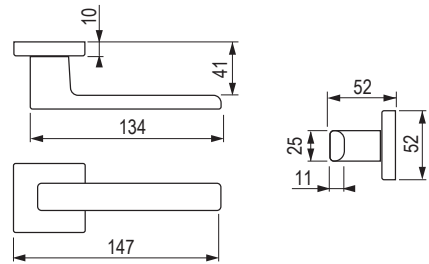
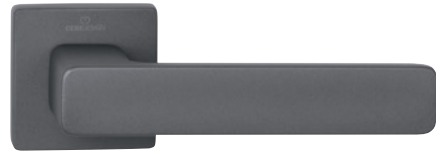


black matt

matt stainless steel

	BB	PZ	WC	BB	PZ	WC
○	×	×	×	359723	359724	359725
□	509296	509297	509298	359713	359714	359715

ZIP HR C521

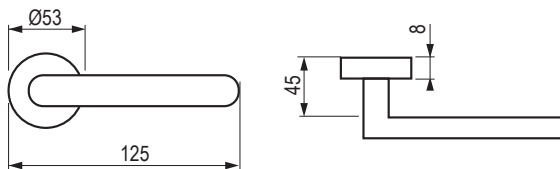


black matt

nickel satin anthracite

	BB	PZ	WC	BB	PZ	WC
○						
□	489963	489964	489965	502298	503148	503149

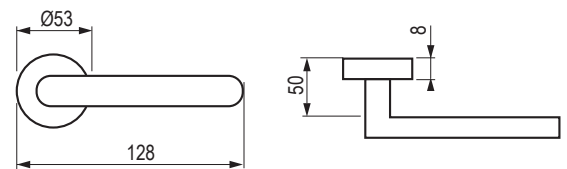
Leko Ala IH 051 METAL



matt stainless steel

	BB	PZ	WC
○			
□	363638	363639	363640

Leko Era 170 METAL



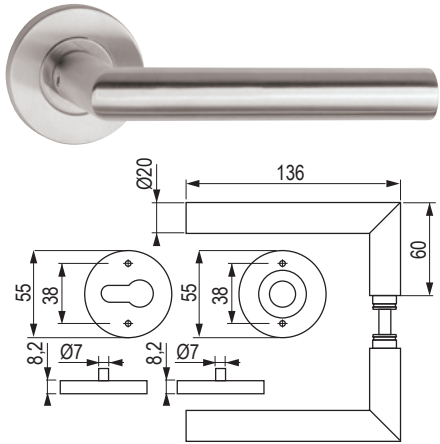
matt stainless steel

	BB	PZ	WC
○			
□	248280	248281	423556



load handles

Vision M3 EN 1802 CLASS 3



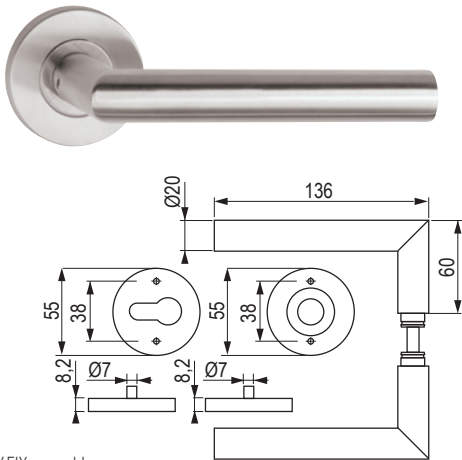
- Simple, fixed EASY-FIX assembly (screws 7 mm).
- Class 3 is suitable for rooms with medium load - e.g. offices.
- Stainless steel is highly resistant to corrosion.



matt stainless steel

BB	PZ	WC
424515	424518	424519

Vision M4 EN 1906 CLASS 4



- Simple, fixed EASY-FIX assembly (screws 7 mm).
- Fireproof fittings.
- Stainless steel is highly resistant to corrosion.



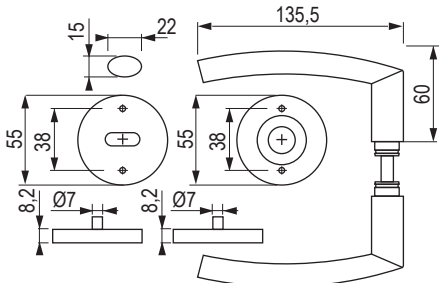
matt stainless steel

BB	PZ	WC
424520	424523	424524

BLOCK H1807M3/EN 1906 class 3



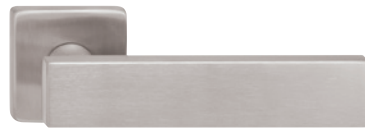
- Class 3 is suitable for areas with medium load - e.g. offices, schools, government buildings.
- Stainless steel is highly resistant to corrosion.



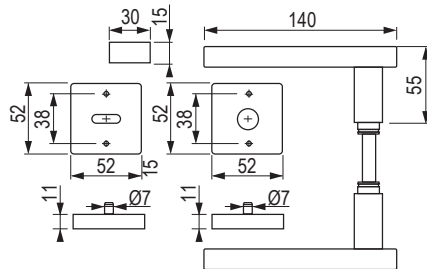
matt stainless steel

BB	PZ	WC
422580	422585	422586

Carla Square SQUARE HR H 1617KS /EN 1906 CLASS 3



- Class 3 is suitable for areas with medium load - e.g. offices, schools, government buildings.
- Stainless steel is highly resistant to corrosion.



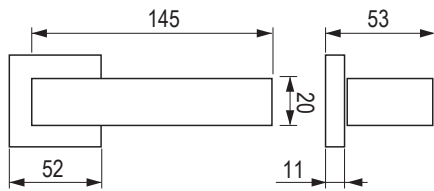
matt stainless steel

BB	PZ	WC
422610	422613	422614

modern handles

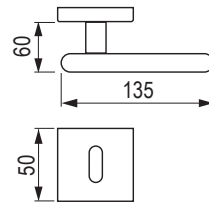


Cube C 1687 HR



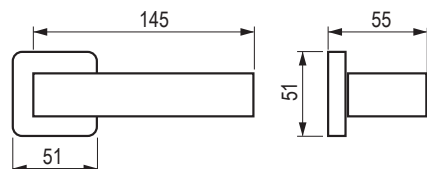
black matt		
BB	PZ	WC
497013	497014	497015

Race P 1601 HR



black matt			matt nickel		
BB	PZ	WC	BB	PZ	WC
452546	452547	452548	363264	363648	363649

Ice P 1540 HR

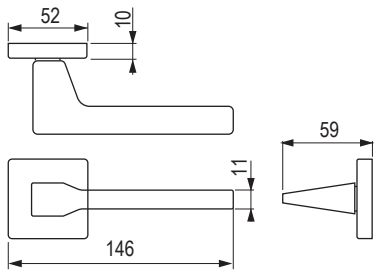


black matt			matt nickel		
BB	PZ	WC	BB	PZ	WC
452460	452461	452462	423368	423369	423370



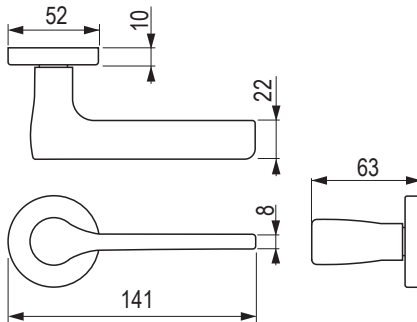
modern handles

Via -S HR C2124



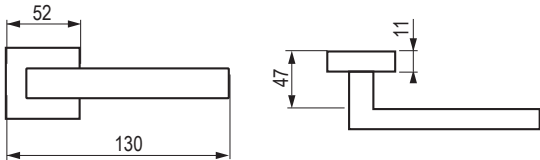
black matt			matt nickel		
BB	PZ	WC	BB	PZ	WC
452565	452567	452569	452566	452568	452570

Irus C7112



black matt			matt nickel		
BB	PZ	WC	BB	PZ	WC
452466	452468	452470	452467	452469	452471

Luck HX 8586 HR



black matt			matt nickel		
BB	PZ	WC	BB	PZ	WC
452486	452487	452488	248296	248297	248298

12345 Item in stock

12345 Item on demand

14.10

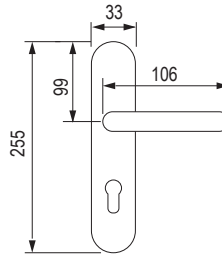
historic handles



Alt Wien PW 3000



WC set



Other colours available:

- patinated
- brass (matt)
- antique brass
- polished chrome
- matt chrome

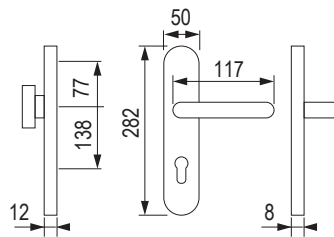
¹⁾ handle and knob combination

colour	72 mm					90 mm				
	BB	PZ	WC	KPZL ¹⁾	KPZR ¹⁾	BB	PZ	WC	KPZL ¹⁾	KPZR ¹⁾
lacquered brass polished	422321	422363	422377	422347	422355	422322	422364	422378	422348	422356

ALT Wien HTSI W3 DEF



DEF



Other colours available upon request:

- patinated
- brass (matt)
- antique brass
- polished chrome
- matt chrome

- matt chrome (escutcheon is CH - polished chrome)
- antique brass (escutcheon is Z - zirconium)

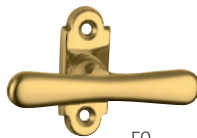
¹⁾ handle and knob combination

colour	72 mm				90 mm				92 mm			
	KPZL ¹⁾	KPZR ¹⁾	PZL	PZR	KPZL ¹⁾	KPZR ¹⁾	PZL	PZR	KPZL ¹⁾	KPZR ¹⁾	PZL	PZR
lacquered brass polished	422273	422280	422287	422294	422274	422281	422288	422295	422275	422282	422289	422296

Alt Wien PW 3000



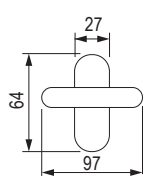
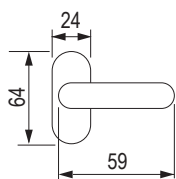
HO



FO

Other colours available:

- patinated
- brass (matt)
- antique brass
- polished chrome
- matt chrome



polished brass

HO	FO
422341	422329

Alt Wien PW 3000



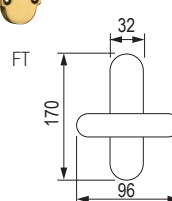
FT



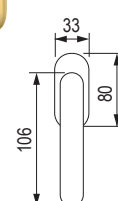
RO

Other colours available:

- patinated
- brass (matt)
- antique brass
- polished chrome
- matt chrome



polished brass



FT	FO
422335	422329

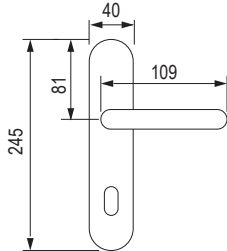


historic handles

Elegant BA 1220



WC set



• In some variants, handle/knob combination available - on request.

Other colours available:

- matt brass
- patinated brass (matt)
- antique brass
- polished chrome
- matt chrome
- matt nickel

¹⁾ handle and knob combination

colour	72 mm					90 mm				
	BB	PZ	WC	KPZL/R ¹⁾	KPZR ¹⁾	BB	PZ	WC	KPZL/R ¹⁾	KPZR ¹⁾
polished brass lacquered	423184	423220	423232	423196	423208	423185	423221	423233	423197	423209

Elegant BA 1225



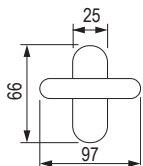
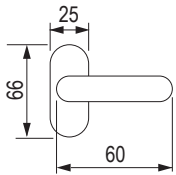
H0



F0

Other colours available upon request:

- matt brass
- patinated brass (matt)
- antique brass
- polished chrome
- matt chrome
- matt nickel



polished brass

H0	F0
509324	509330

Elegant BA 1225



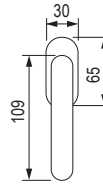
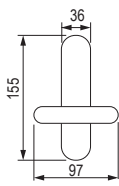
FT



RO

Other colours available upon request:

- matt brass
- patinated brass (matt)
- antique brass
- polished chrome
- matt chrome
- matt nickel



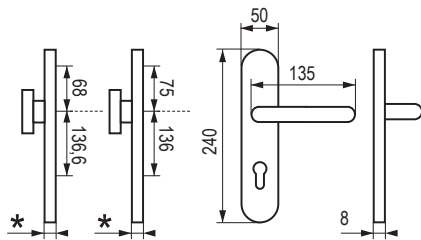
lacquered brass polished

FT	RO
509338	509344

safety handles



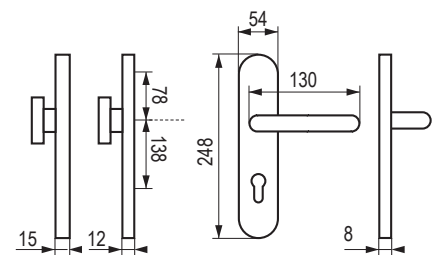
Harmonia HTSI DEF



colour	72 mm	90 mm	92 mm
black matt	509348	509349	509350
anodised stainless steel imitation F9	509351	509352	509353

- * plate thickness with DEF 15 mm, without DEF 12 mm
- space for a cylinder insert in DEF 1 - 18 mm overlay

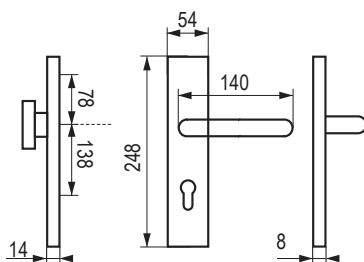
Columbus Vision H2087 DEF



colour	72 mm	92 mm
matt stainless steel	422677	422685

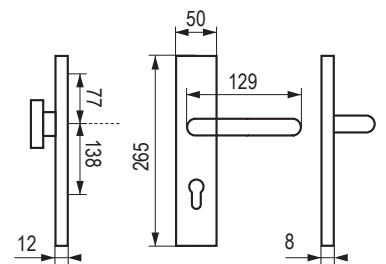
- space for a cylinder insert in DEF 16 mm overlay

Columbus Carla HR H2094 DEF



colour	72 mm	92 mm
matt stainless steel	422647	422653

Eidos HTSI DEF



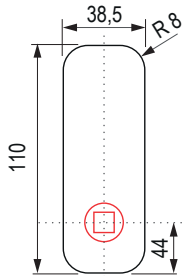
colour	72 mm			
	KPZL	KPZR	PZL	PZR
black matt	423079	423093	423107	423121
matt chrome	423082	423096	423110	423124
colour	90 mm			
	KPZL	KPZR	PZL	PZR
black matt	423080	423094	423108	423122
matt chrome	423083	423097	423111	423125
colour	92 mm			
	KPZL	KPZR	PZL	PZR
black matt	423081	423095	423109	423123
matt chrome	423084	423098	423112	423126

- escutcheon is - polished chrome

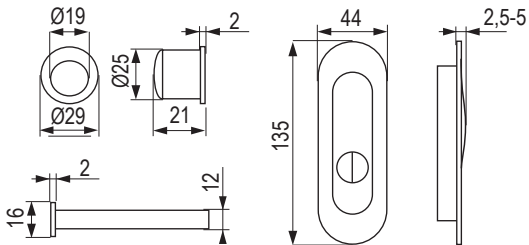


flush pull handles

Oval flush pull handle



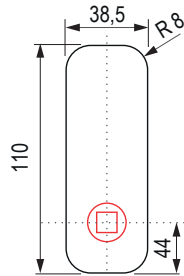
milling hole depth: 11 mm



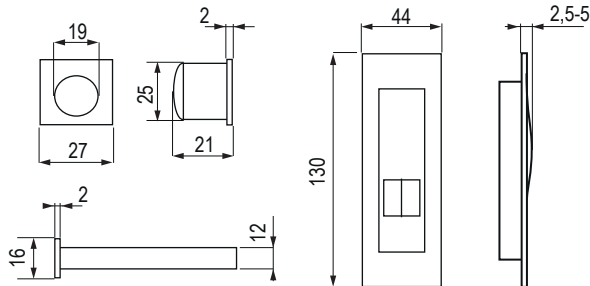
colour	UGL pull handle	BB set	PZ set	WC set
inoxchrome	509371	509372	509373	509374
matt nickel	509375	509376	509377	509378
matt chrome	509379	509380	509381	509382
black matt	509383	509384	509385	508803

- set includes: 2x flush pull handle, lock, manetta
- UGL flush pull handle contains: 1 pc of flush pull handle

Quatro flush pull handle



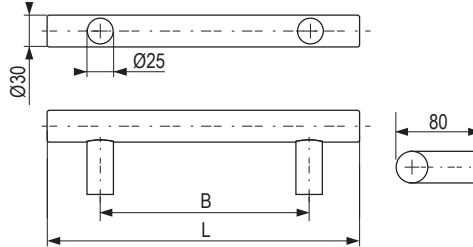
milling hole depth: 11 mm



colour	UGL pull handle	BB set	PZ set	WC set
inoxchrome	509386	509387	509388	509389
matt nickel	471188	509390	509391	509392
matt chrome	509393	509394	509395	509396
black matt	509397	509398	509399	509400

- set includes: 2x Quatro flush pull handle, lock, manetta
- UGL flush pull handle contains: 1 pc of flush pull handle

Straight pull handle BF 118000 for one-side mounting



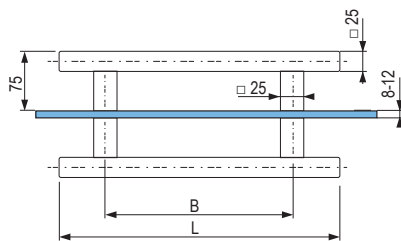
- package contains 1 pull handle and assembly fittings for one-side mounting
- in the case of mounting through the door, e.g. glass, additional mounting fitting must be purchased
- round cross-section
- angled or paired variant also available
- various dimensions on request

i black matt surface treatment – in case of custom-made items, the delivery time can be 4– 5 weeks

code	colour	pitch (mm)	length (mm)
423746	matt stainless steel	300	400
423762		500	800
423690		1000	1200
423718		1500	1800

code	colour	pitch (mm)	length (mm)
423744	black matt	300	400
423760		500	800
423688		1000	1200
423716		1500	1800

Straight pull handle FHR 118031 for double-side mounting

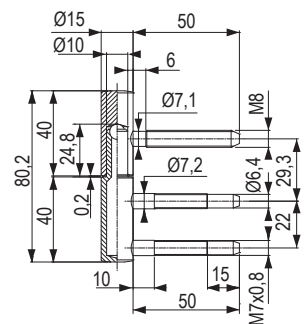


- square cross-section
- angled or single-sided variant also available
- various dimensions on request

code	colour	pitch (mm)	length (mm)
423843	matt stainless steel	300	500
423847		400	600
423827		900	1200
423841	black matt	300	500
423845		400	600
423825		900	1200

- Package includes 1 pair of handles and mounting material for wooden and glass doors
- i** black matt surface treatment – in case of custom-made item, the delivery time can be 4– 5 weeks

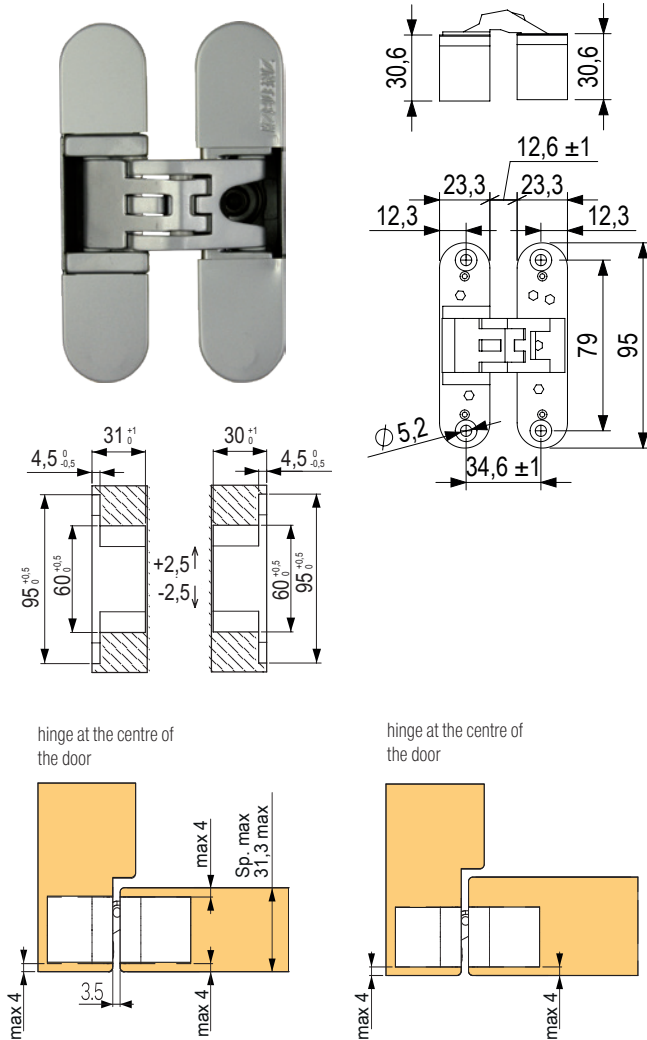
Door hinge 100/15



matt nickel	black matt
509430	501581

hinges for non-rebated doors

K6100, for non-rebated doors



code	description	colour
255984	K6200 hinge	satin chrome
549420	K6200 hinge	black
255986	door-frame lining clip ¹⁾	

¹⁾ accessories, see p. 14.19

- **Advantages of the hinge:**
- user-friendly adjustment in all 3 directions
- fireproof
- design

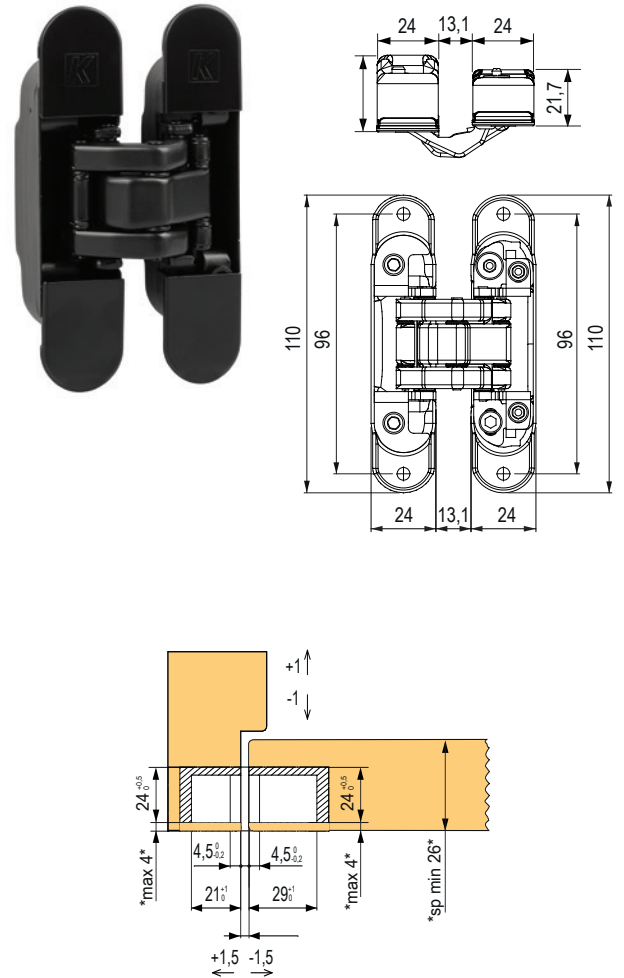
Technical specification of the hinge:

- minimum door thickness: 31 mm when installing the hinge at the centre of the door
- load capacity for 2 hinges: 45 kg door height up to 2100 mm
- load capacity for 3 hinges: 60 kg door height up to 2100 mm
- load capacity for 4 hinges: 60 kg door height over 2100 mm

Adjustment in all 3 directions:

- height (Z): ± 2.5 mm
- right-left (X): ± 3 mm / ± 2 mm
- forward-backward (Y) ± 1 mm

K8060, for medium-heavy non-rebated doors



code	description	colour
549416	K8060 hinge	satin chrome
549418	K8060 hinge	black
549419	door-frame lining clip ¹⁾	

¹⁾ accessories, see p. 14.19

- **Material:**
- steel
- higher load capacity compared to zamac
- user-friendly adjustment in all 3 directions
- magnetic cover caps

Technical specification of the hinge:

- minimum door thickness: 32 mm
- load capacity for 2 hinges: 60 kg

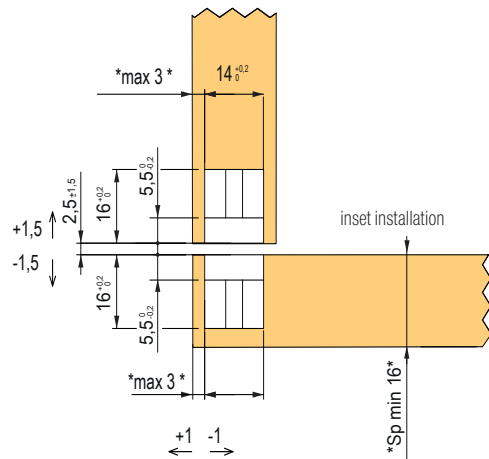
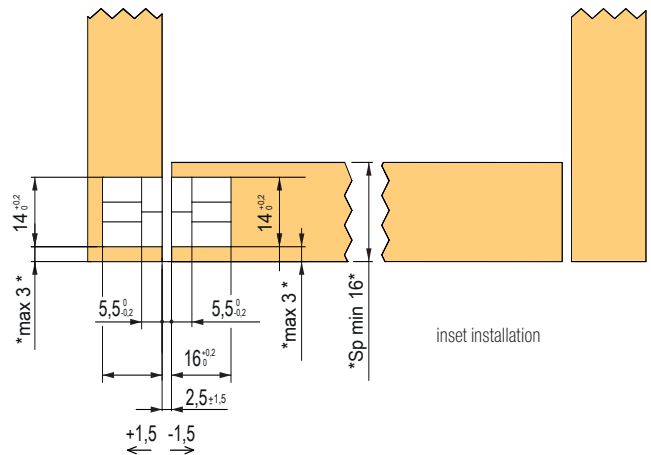
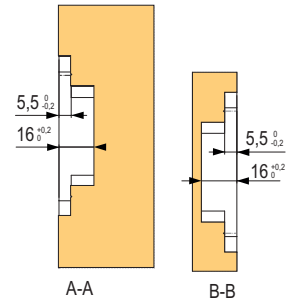
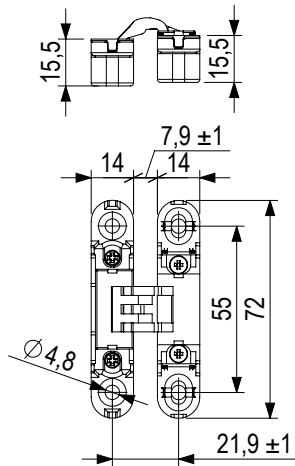
Adjustment in all 3 directions:

- height (Z): ± 2.5 mm
- right-left (X): ± 1.5 mm
- forward-backward (Y) ± 1 mm

hinges for non-rebated doors

K6100, for light non-rebated cabinet doors

- suitable for furniture doors, e.g. for kitchen units or living room wall units



code	description	description
255989	K6100 hinge	satin chrome
344291	K6100 hinge	black

Advantages of the hinge:

- user-friendly adjustment in all 3 directions
- can be used for door thicknesses from 18 mm

Hinge technical specifications:

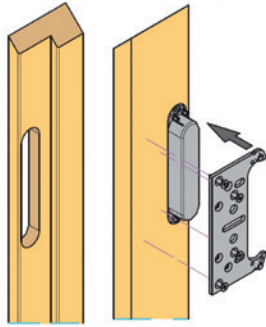
- minimum door thickness: 20 mm when installing the hinge at the centre of the door
- load capacity for 2 hinges: 10,5 kg max. door height: 1000 mm
- load capacity for 3 hinges: 10,5–14 kg max. door height: 1500 mm
- load capacity for 4 hinges: 1–9 kg max. door height: 2 000 mm

Adjustment in all 3 directions:

- height (Z): ± 1,5 mm
- right-left (X): ± 1,5 mm
- forward-backward (Y): ± 1 mm

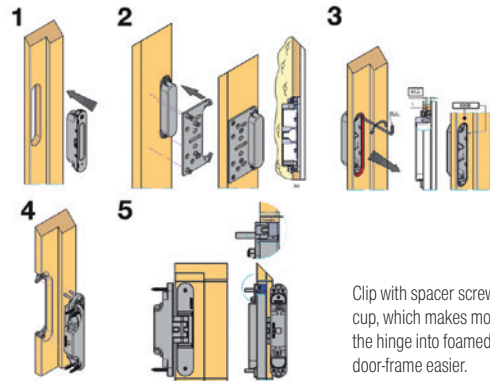
hinges for non-rebated doors – accessories

Hinge clip for door-frame lining



code	description
255979	K2460 hinge clip for door-frame lining
255983	K5080 hinge clip for door-frame lining
255986	K6200 hinge clip for door-frame lining
549419	K8060 hinge clip for door-frame lining

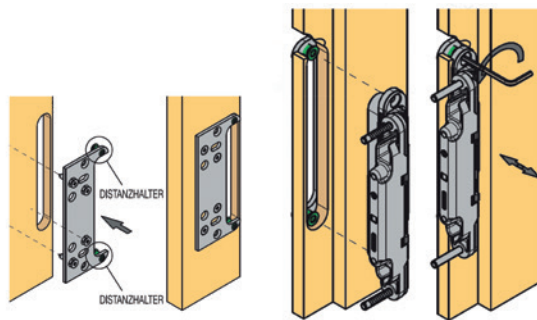
Hanger clip with spacer screw and cup



Clip with spacer screw and ABS cup, which makes mounting of the hinge into foamed door-frame easier.

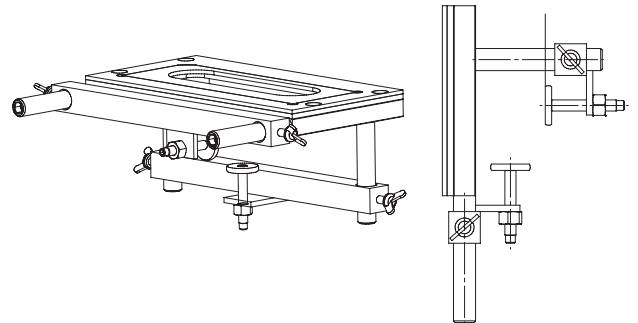
code	description
256293	hinge clip K2460 for door-frame lining + screw + cup
256295	hinge clip K5080 for door-frame lining + screw + cup

Hinge clip with spacer screw



code	description
256292	hinge clip K2460 for door-frame lining with spacer screw
256294	hinge clip K5080 for door-frame lining with spacer screw

Templates



- mounting template for Kubica hinge
- **The template contains:**
- universal frame
- table insert by type of hinge

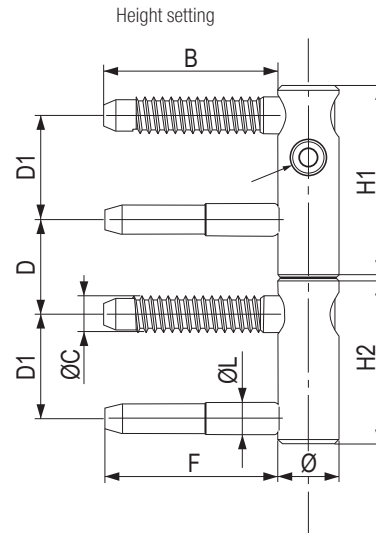
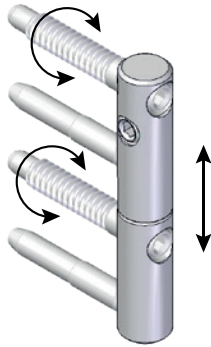
code	description
256045	mounting template – universal frame
256046	template – table insert for hinge K2460
256047	template – table insert for hinge K5080
256047	template – table insert for hinge K6200
549421	template – table insert for hinge K8060

i Mounting template allows precise milling of mounting holes for concealed hinges.

fittings for rebated doors

SZ 82 hinge

- complete hinge adjustable in three directions



code	colour	hinge diameter	height H1	height H2	pitch D	length of bolt B	pitch D	pitch D1	pin length F	P	diameter C	diameter L	version
256661	yellow zinc	14	44	38	21	40	21	24	40	40	8,2	7,3	standard
256662	white zinc	14	44	38	21	40	21	24	40	40	8,2	7,3	standard
256663	yellow zinc	16	44	38	21	49	24	24	49	40	8,2	7,3	standard
256664	white zinc	16	44	38	21	49	24	24	49	40	8,2	7,3	standard
256665	yellow zinc	20	58	54	29	59	32	32	55	120	9,3	8,7	standard
256666	white zinc	20	58	54	29	59	32	32	55	120	9,3	8,7	standard

i 3 pcs of hinges are recommended for one door. The data in the table are given in mm.

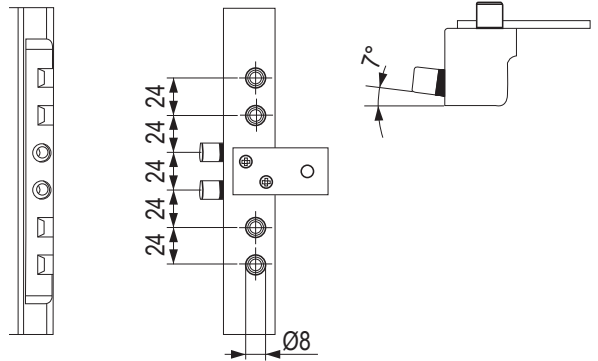
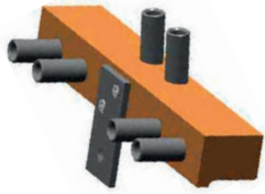
Hinge cover cap SZ 82



code	colour	hinge diameter (mm)	cover cap diameter (mm)	height (mm)
256668	matt nickel	14	15	48
256670	matt chrome	16	17	48
256671	matt nickel	16	17	48
256673	matt chrome	20	22	48

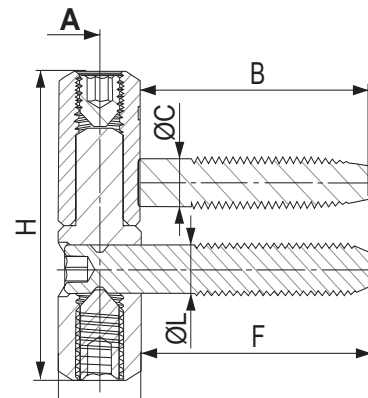
fittings for rebated doors

Mounting template for hinges SZ 82



code	description
257211	mounting template for hinges SZ 82, diameter: 1 - 6 mm
279212	mounting template for hinges SZ 82, diameter: 20 mm

Hinge SZ 150R



code	colour	hinge diameter (mm)	height H (mm)	length B/F (mm)	pitch D (mm)	diameter C/l (mm)
256658	yellow zinc	14	48	39	13,7	7,5
256659	white zinc	14	48	39	13,7	7,5

- complete hinge, adjustable vertically and forward/backward



door fittings – accessories

STAR 50S cylinder inserts



polished nickel	dimensions (mm)
424284	30/35
424293	30/35 with button
424285	30/40
424286	30/45
424287	30/50
424288	40/40
424289	40/50
424290	40/55
424292	45/50
424291	45/45

- 3 extended keys in the set

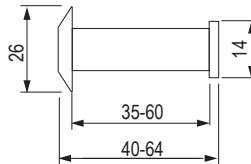
70S cylinder inserts



polished nickel	black matt	dimensions (mm)
422454	452384	30/35
422462	452386	30/35 with button
422455	452385	30/40
x	452387	30/40 with button
422456	x	30/45
422457	x	30/50
422458	x	40/40
422459	x	40/55
422461	x	45/50
422460	x	45/45

- 3 extended keys in the set

Door viewer with cover MOD 3



matt nickel	black matt
452481	452482

- better visibility even in the dim light thanks to the glass lens

P541 door stop

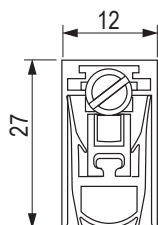


lacquered brass patina	matt chrome	matt nickel	polished lacquered brass
359805	359806	359807	359804

fittings for rebated doors

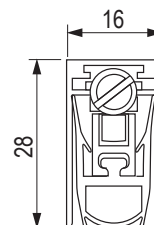


103 SF drop seal



polished nickel	dimensions (mm)
424040	630
424041	730
424042	830
424043	930
424044	1030
424045	1130

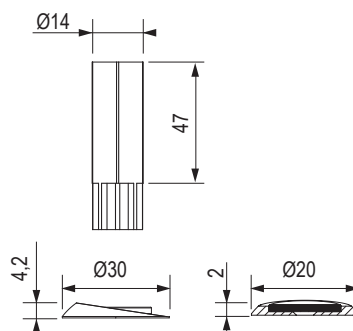
290 SF drop seal



polished nickel	dimensions (mm)
424046	630
424047	730
424048	830
424049	930
424050	1030
424051	1130

❶ The floor drop seals are mounted into the bottom edge of the door. When closing the door, the closing pin is seated on the door-frame and the inner mechanism of the strip with the silicone gasket creates a perfect seal. The height of sealing contact point is adjusted on the side using the adjusting screw.

Stoppino door stop



Example of use

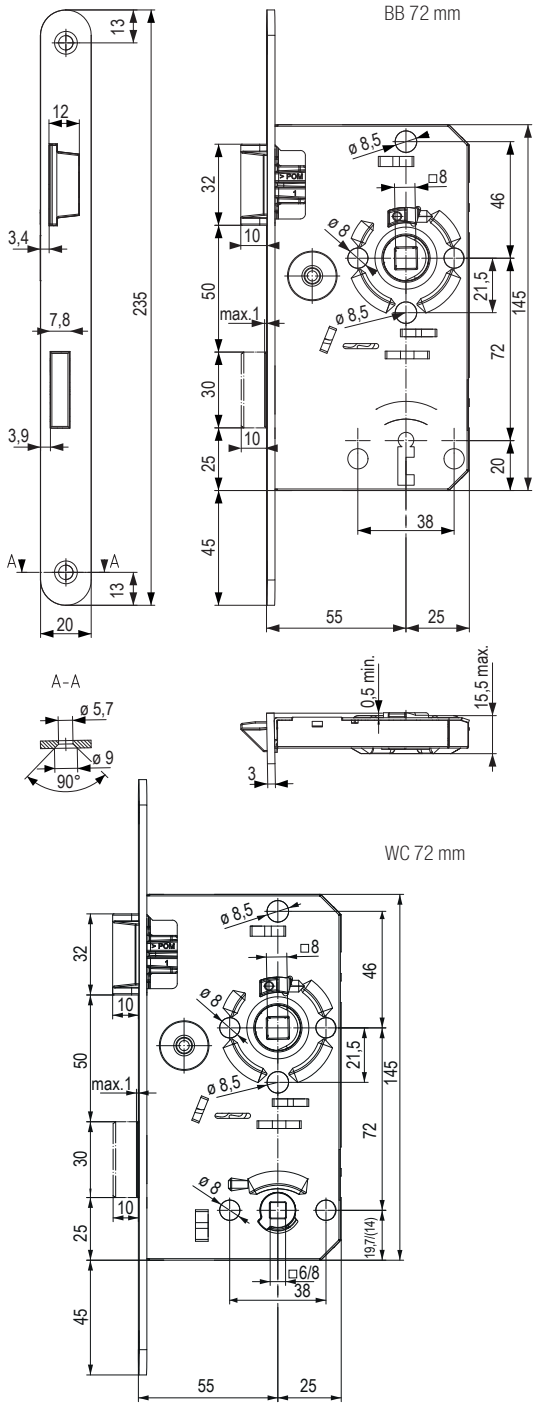
grey	black
452497	500982

- hidden magnetic door stop
- the colour determines the appearance of the plates, the magnetic circle in the middle is metallic (silver)

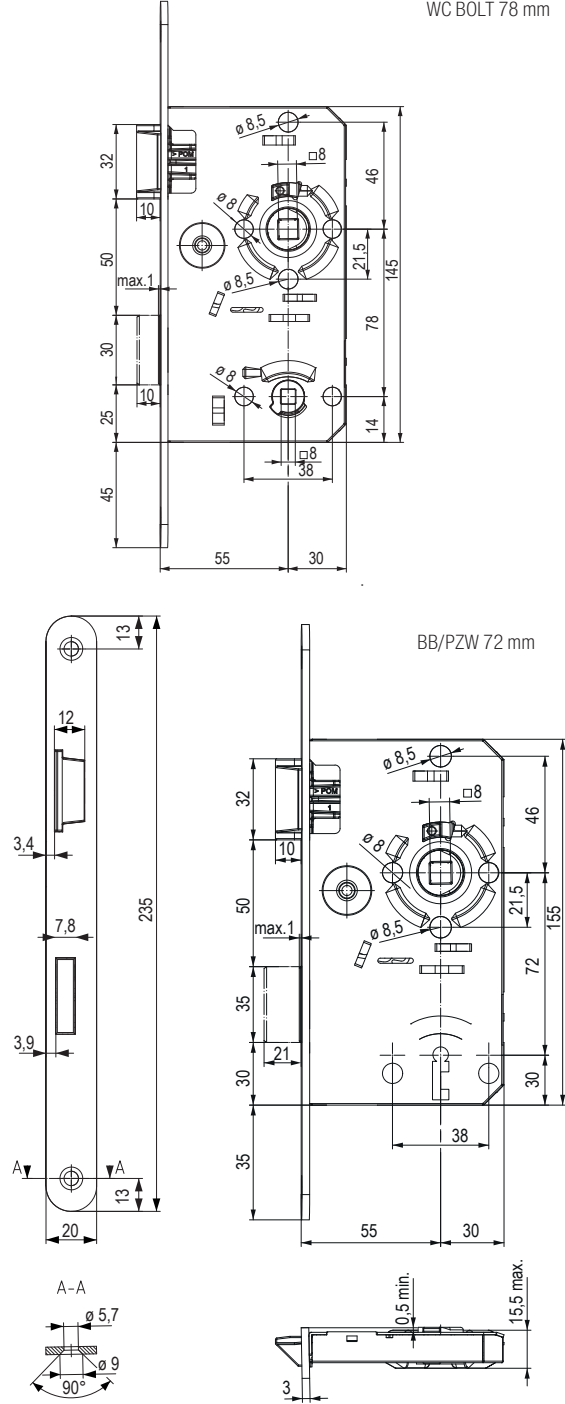


mortise locks

SAG plastic latch



Metal latch



plastic latch, bolt BB/72 mm		plastic latch, bolt WC/72 mm	
509664	left	424598	left
509784	right	424599	right

matt stainless steel					
BB 72 mm		PZW 72 mm		WC 78 mm	
509769	left	509770	left	509771	left
509786	right	509787	right	509788	right

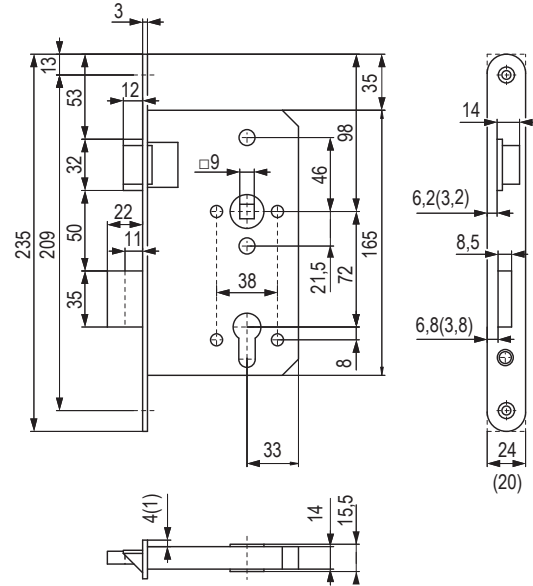
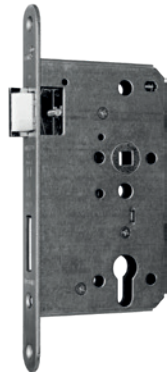
- single lock
- handle component for short stroke
- can also be used for non-rebated doors
- ☑ counter plate for non-rebated doors and plastic cup to be ordered separately (p. 14.27)

- PZW – lever handle lock,
- suitable for knob/handle
- WC variant with 72 mm spacing available only with plastic bolt
- can also be used for non-rebated doors
- ☑ counter plate for non-rebated doors and plastic cup to be ordered separately (p. 14.27)

mortise locks



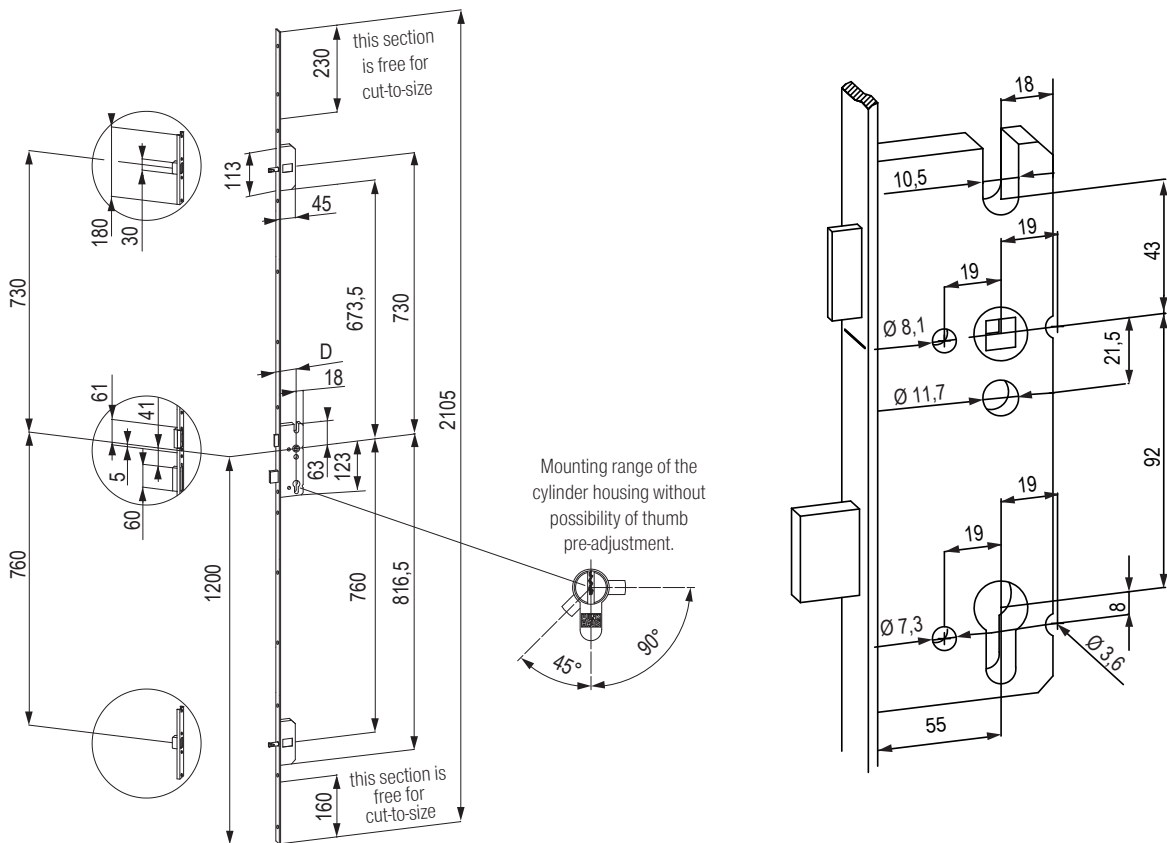
BMH 1000



matt stainless steel	matt stainless steel
PZW left	PZW right
422592	422593

- lock symbol BMH PZW 65/72/20/0/9
- fireproof
- double lock
- for cylinder insert only
- PZW - lever handle lock,
- suitable for knob/handle

WH B2 espagnolette lock for entry doors



matt stainless steel

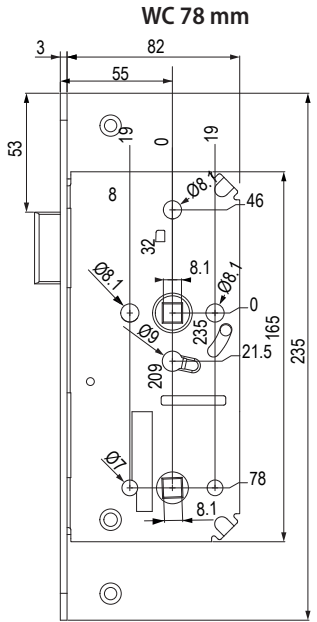
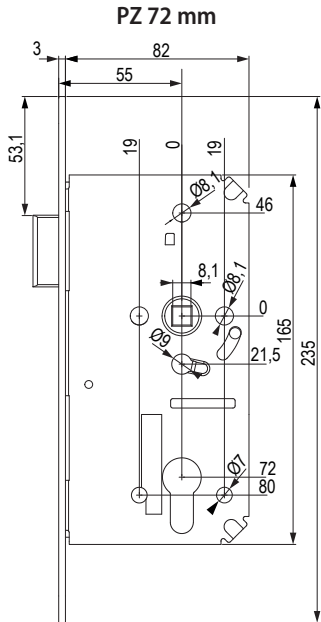
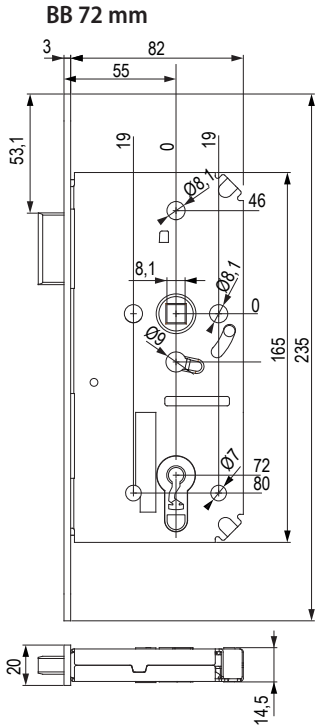
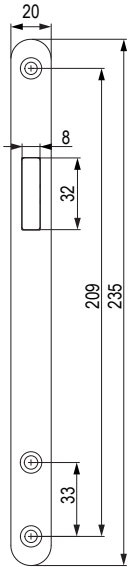
422447

ⓘ Please note: the dimensions shown are valid for all multi-point locks with standard pins and for frame elements (regardless of the lock faceplate type).



mortise locks

B-class magnetic lock



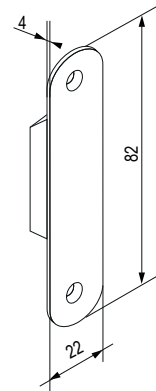
colour	BB 72 (mm)	PZ 72 (mm)	WC 78 (mm)
matt chrome	452499	452501	452503
black matt	452498	452500	452502

- magnetic latch
- magnetic striker plate (included)
- right-left option

mortise locks and striker plates



DM1 magnetic lock



white

509669

grey

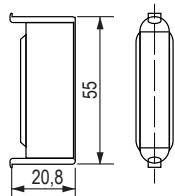
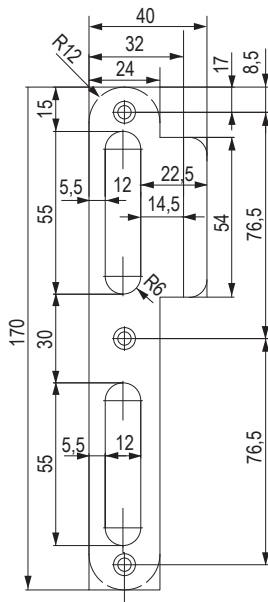
509670

black

452504

- it is a pair of magnets to be milled into the door leaf and door-frame
- ideal in combination with non-rebated hinges and design handles
- doors cannot be locked

Striker plate for non-rebated doors short/long



509768

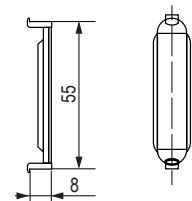
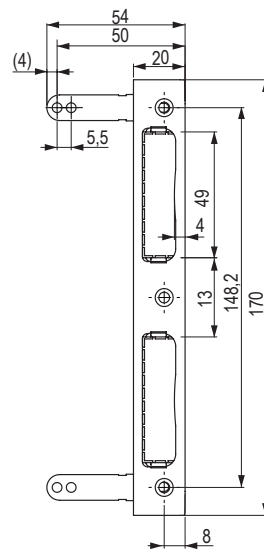
PLASTIC CUP, DEEP

to the striker plate
for non-rebated doors

short		long	
509766	left	509767	left
509789	right	509790	right

Striker plate for wooden door-frames for rebate doors

- including fixing sheet metals for the middle part of the door-frame



509772

PLASTIC CUP, SHALLOW

to the striker plate
for non-rebated doors

striker plate for rebate doors	
509764	



door straighteners & stabilisers

Interior door tension reinforcements

code	dimensions (mm)
361457	1860
367929	2090
355813	2390
369982	2690

Reinforcement size options

dimensions (mm)	dimensions (mm)
1860	197-100
2090	220-400
2390	250-700
2690	280-000

