

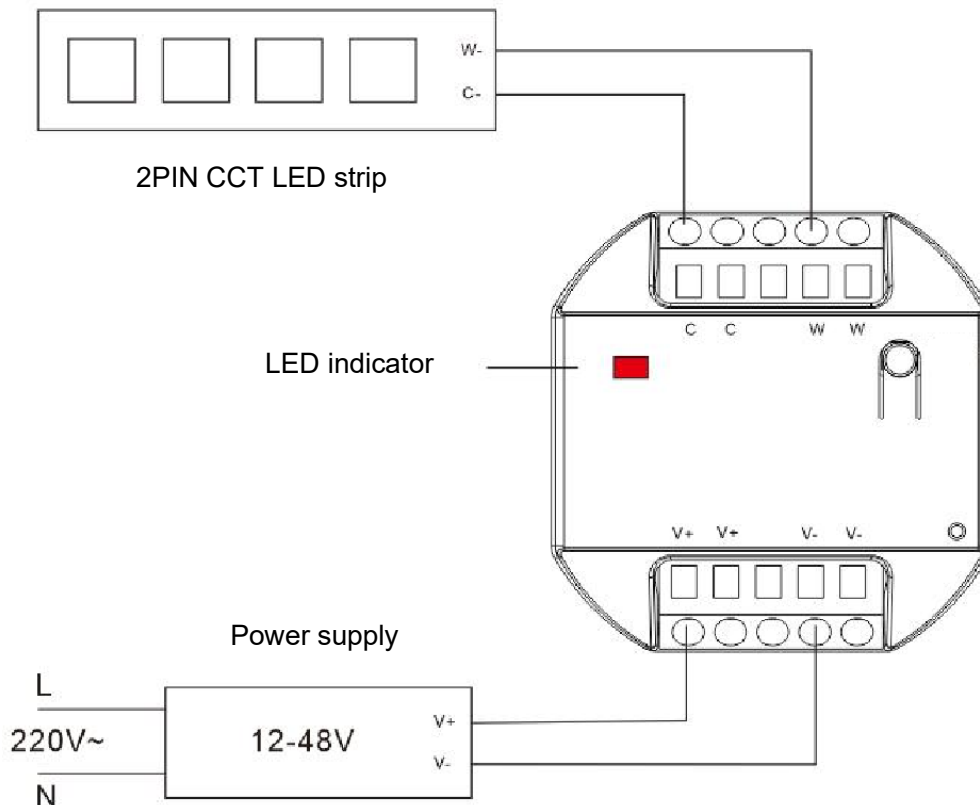
546641 StrongLumio 2PIN CCT wireless kinetic receiver 12/24V

1. Product overview

The device supports RF433 remote control with voltage of 12-24V. When paired with a wireless kinetic switch and directly connected to a dual-color temperature LED strip, it enables adjustment of the LED strip's brightness and color temperature.

Use the device only according to this user manual. Do not disassemble or modify the product in any way. Store and use the appliance only in a dry indoor environment or in an area protected from weather conditions. It is not suitable for use in exterior.

1.1. Installation and wiring



It is suitable for concealed installation in switch/socket back boxes (86-type or European standard back boxes), light panels, and other locations.

2. Technical parameters

Parameter	Value	Parameter	Value
Model	546641 / ERC2402	Radio frequency	RF 433 MHz
Power supply	12V/24V DC	Range	80 m w/o obstacles, 30 m open indoors
Input current	2x max 3A	Standby Power	≤1 W
Output current	2x max 3A	Output Channels	2 channels, simultaneous control
Dimming	Yes, PWM, 0-100 %	Memory	Max 10 switches
Operating temperature	-20 °C ~ +55 °C	Protection rating	IP20
Operating humidity	5%-85% RH	Certification	CE, RoHS

3. Product functionality

3.1. Pairing with Wireless Kinetic Switch

Press and hold the pairing button on the controller for 2 seconds. The red indicator light of the button will enter a slow-flashing state (once per second), meaning the controller has entered the pairing-ready state. At the same time, press any button on the wireless kinetic switch once to complete the pairing. At this point, the indicator light and the connected lamp should be turned on simultaneously. After pairing, the brightness of the rebound switch will be 50%, and the brightness of the door sensor will be 100%.

3.2. Dimming and white color temperature control

During pairing, the button pressed adjusts brightness, while the other button in the same group adjusts color temperature. If the paired button is a single-key switch, color temperature adjustment is not supported. If it is a three-key switch, the pressed button adjusts brightness, the middle button has no effect on the controller, and the button on the other side adjusts color temperature.

In case of pressing the middle button of a three-key switch during pairing, it will be paired as a single button switch without color adjustment function.

3.2.1. The paired button controls on/off and brightness adjustment.

- A single click enables ON/OFF;
- Press and hold the successfully paired switch button to adjust brightness (minimum brightness: 2%, maximum brightness: 100%);
- Between one ON-OFF cycle, the brightness adjustment sequence is: press and hold to decrease brightness or press and hold to increase brightness.

3.2.2. The button opposite the paired button controls color temperature adjustment

- A single click enables cyclic switching among five color temperature levels;
- Press and hold the button to achieve one-way color temperature change between 2700K-6500K or 6500K-2700K.
- Note: This button does not support pairing with the same controller.

3.2.3. Door contact program

After pairing the door sensor: Press and hold the door sensor to turn off the controller; open the door sensor to turn on the controller.

Note: When multiple door sensors are paired (in a group), all door sensors must be in closed state to turn off the controller. The controller will not turn off if even one door sensor is in open state.

Note: When multiple door sensors are paired (in a group), all door sensors must be in closed state to turn off the controller. The controller will not turn off if even one door sensor is in open state.

3.3. Power Failure Memory

After a power failure, when power is restored, the device will return to the state (color temperature and brightness) before the power failure when turned on.

3.1. Night mode

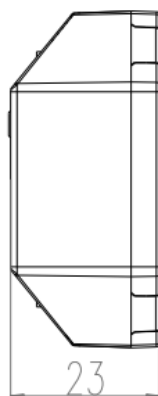
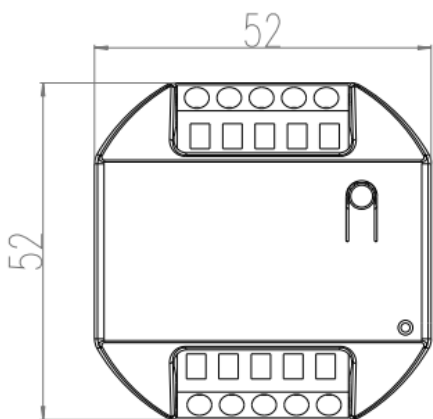
In the off state, press and hold the switch button for 2 seconds to activate Night Mode. If brightness and color temperature were adjusted before turning off, the next time Night Mode is activated, the brightness and color temperature will return to their default settings. Adjustments made in Normal Mode do not affect the settings of Night Mode.

Note: Night Mode does not have a memory function (i.e., the next time Night Mode is turned on, it will still return to its initial state).

3.2. Cancel Pairing with Wireless Kinetic Switch

Press and hold the pairing button on the controller for 6-8 seconds. The indicator light will flash slowly for 6 seconds, then turn off automatically. Release the button, and all information of the kinetic switches paired with this channel will be cleared.

4. Dimensions (mm)



Producer: Démos trade, a.s.
Škrobálkova 630/13
718 00 Ostrava-Kunčičky
Czech Republic

