

546608 StrongLumio door switch



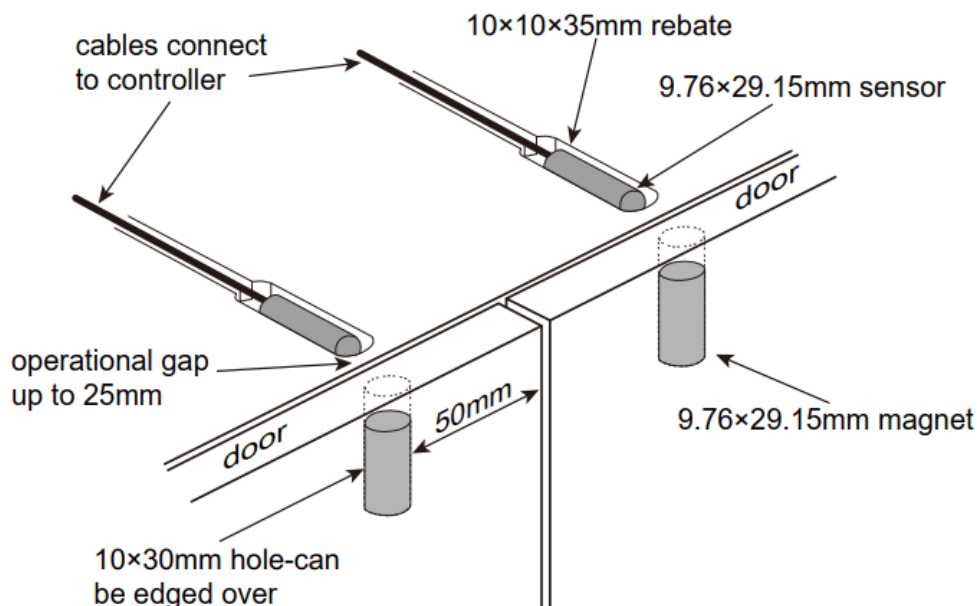
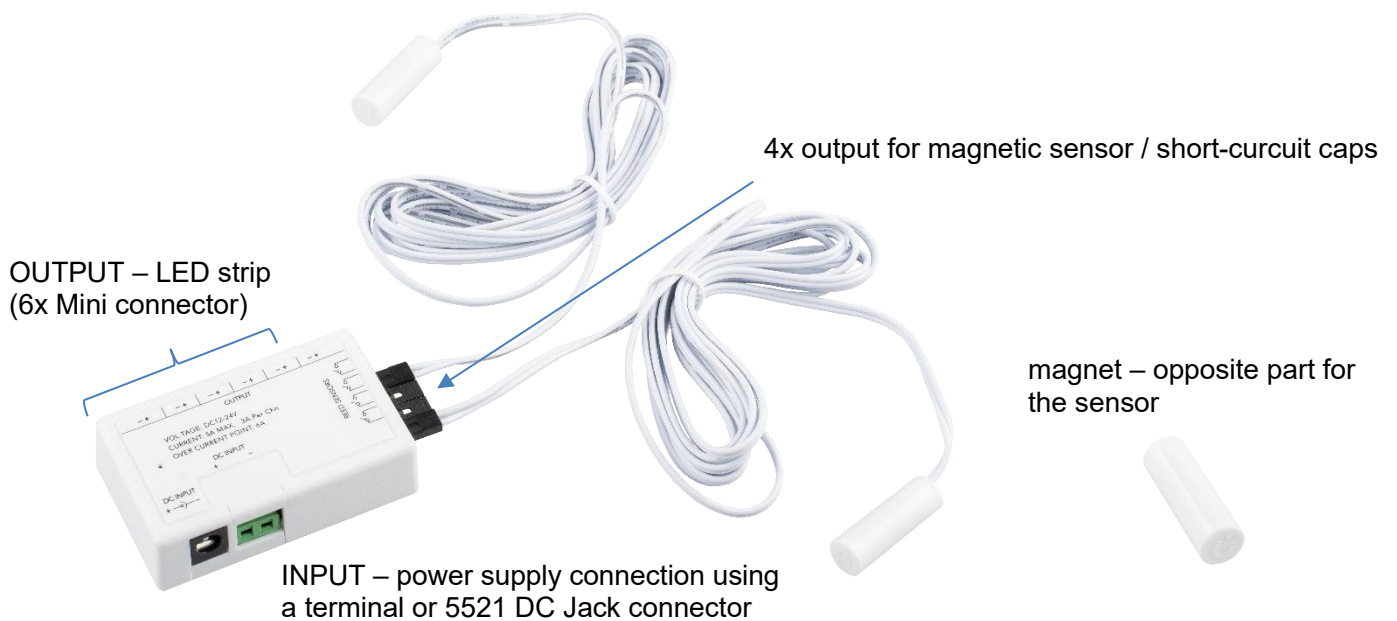
for up to 4 magnetic sensors, 12/24V

1. Product overview

The product is designed to control a single color LED lighting using magnetic sensors installed in furniture door. It consists of a control unit with magnetic sensors reacting to magnets hidden in door. Based on their proximity the light turns on when door is open and turns off when closed.

Use the product only according to this user manual. Do not open or disassemble the device. Keep and use it in dry environment protected from weather conditions. It is not suitable for use in exterior.

1.1. Connection scheme



• Unused magnetic sensor channels must be covered with short-circuit caps

• The output current for each channel must not exceed 3A during use.

• When the current exceeds the overcurrent protection point, the controller will shut off the output and flash the indicator light.

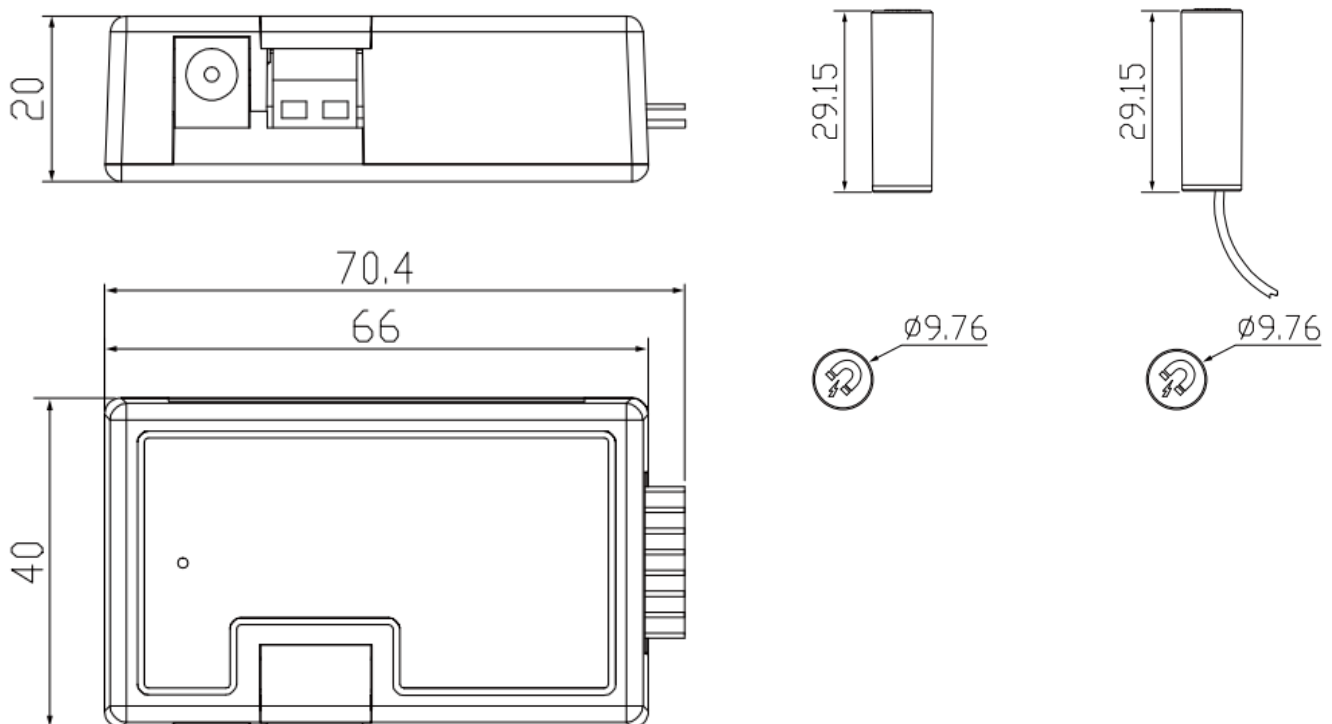
2. Technical parameters

Parameter	Value	Parameter	Value
Model	546608 / MC002	Max number of sensors	4
Voltage	12V/24V DC	Number of outputs	6 (Mini connectors)
Max current	max 5 A (3 A/channel)	Max sensing length	Max 25 mm
Overcurrent protection	At 6 A	Cable length	2 m

3. Product functionality

- Select the required number of magnetic sensor channels based on actual needs. Ensure unused channels are covered with short-circuit caps
- Place the magnets in door so that they get no more than 25mm from the magnetic sensor in closed state.
- Magnets can be completely hidden in the door to get an invisible installation. Do not cover them with any metallic obstacle.
- All the outputs are controlled at the same time.
- 2 power supply connection options – using a 5521 round connector or a power terminal block.

4. Dimensions (mm)



Producer: Démos trade, a.s.
Škrobálkova 630/13
718 00 Ostrava-Kunčičky
Czech Republic

