

546609 StrongLumio

touch switch/dimmer

for digital LED strips 12-24V



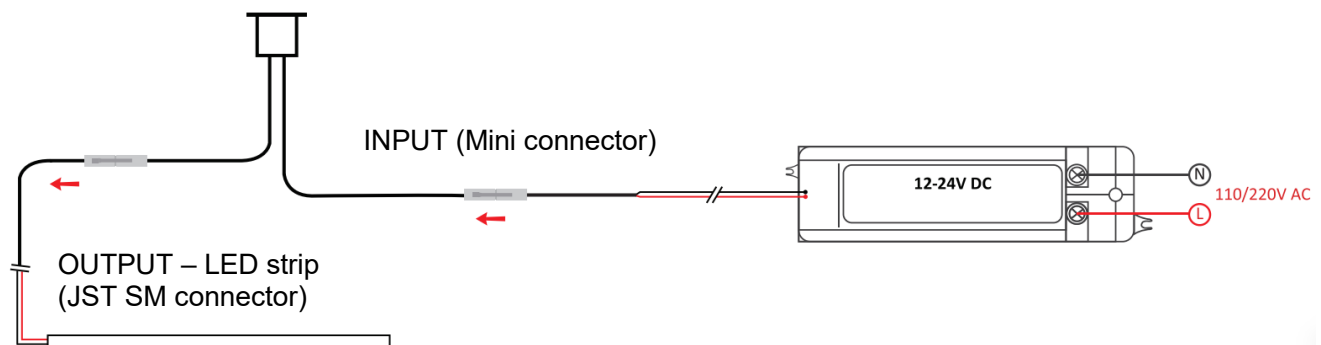
EN

## 1. Description

The device is made to control 12-24V digital (addressable) LED strips (for example 544564).

Use the device only according this user manual. Do not disassemble or modify the product in any way. Store and use the appliance only in a dry indoor environment or in an area protected from weather conditions. It is not suitable for use in exterior.

### 1.1. Connection scheme



The sensor cannot be installed on conductive materials. During testing, do not hold the sensor with one hand while touching it with another hand.

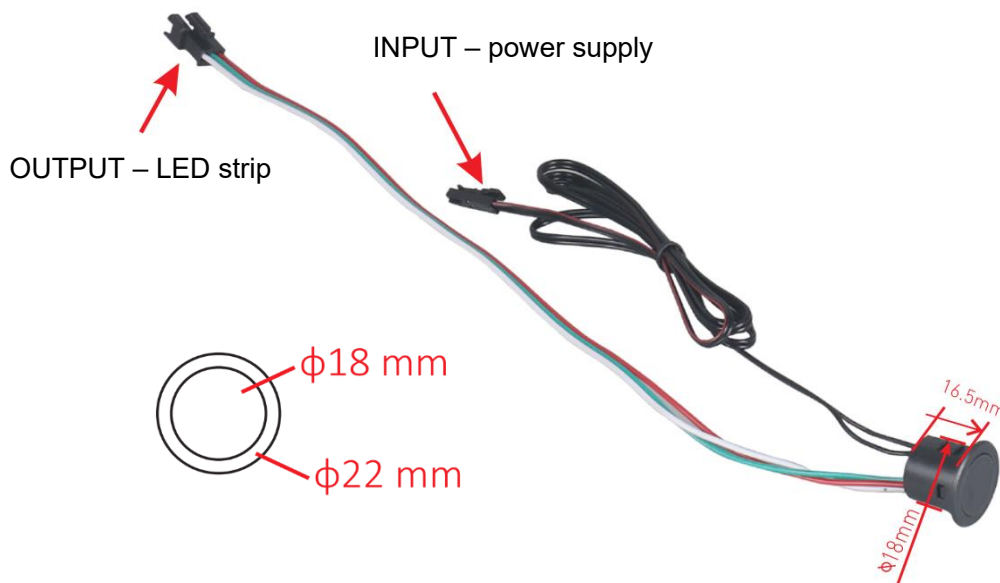
## 2. Technical parameters

Parameter	Value	Parameter	Value
Model	546609 / STD043	Max node qty	64
Voltage	12V/24V DC	Min node current	15 mA
Input/output current	max 3A	Dimming	Yes, 5-100 %
Installation hole diameter	18 mm	Protection	IP20
Communication protocol: Single-wire zero code (compatible with WS2812, SM1673, TM1804...)			

### 3. Operation

- Short single touch = ON/OFF
- Short double touch = Switches between dimming mode and speed adjustment. The light will flash twice as an indication.
  - Default mode after power-on is dimming. If no operation is performed in speed mode for 30 s, it will return to dimming mode.
- Long touch = hold to adjust brightness or speed, depending on current mode.
- Memory function to keep the last setting after power-off.
- **There is around 1 second delay for ON/OFF, which the switch needs to measure, whether the user made single or double touch.**

### 4. Dimensions (mm)



Producer: Démos trade, a.s.  
Škrobálkova 630/13  
718 00 Ostrava-Kunčičky  
Czech Republic

