



StrongLumio

powered by: 



StrongLumio receiver for wireless charging sensors

546610, 546611, 546612, 546613

1. Description

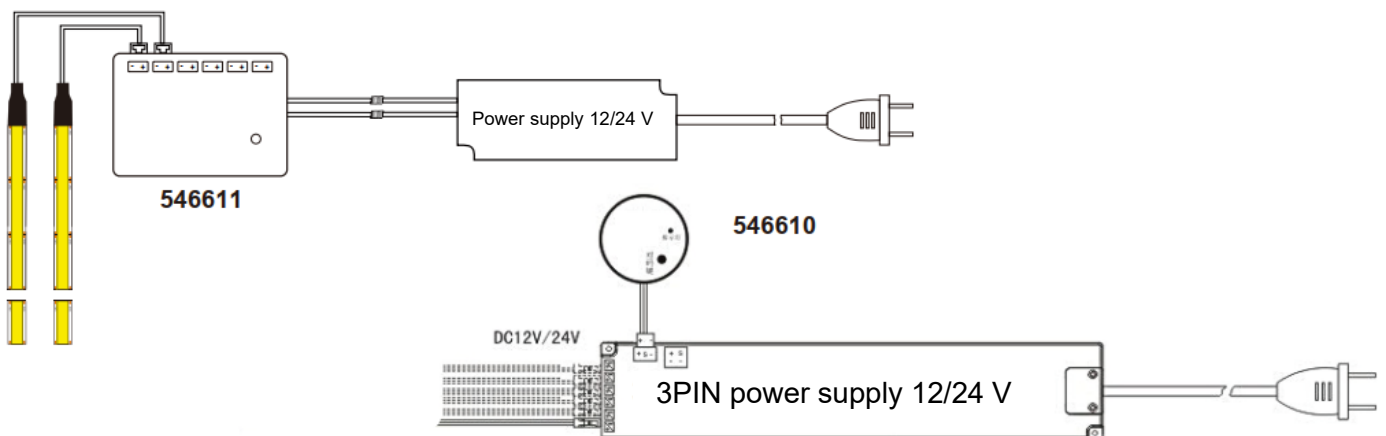
The device is made to switch LED lighting using remote switches/sensors. It is a remote signal receiver that, once paired with a compatible wireless switch, allows you to control LED lighting with a voltage of 12–24 V.

Use the device only according this user manual. Do not disassemble or modify the product in any way. Store and use the appliance only in a dry indoor environment or in an area protected from weather conditions. It is not suitable for use in exterior.

1.1. Connection scheme

Receivers 546610 and 546611 have the same functions and differ only in the wiring method. The 546610 can be used exclusively in combination with a 3-PIN power supply. The 546611 is equipped with a round power connector and Mini connectors on the output, which are controlled simultaneously.

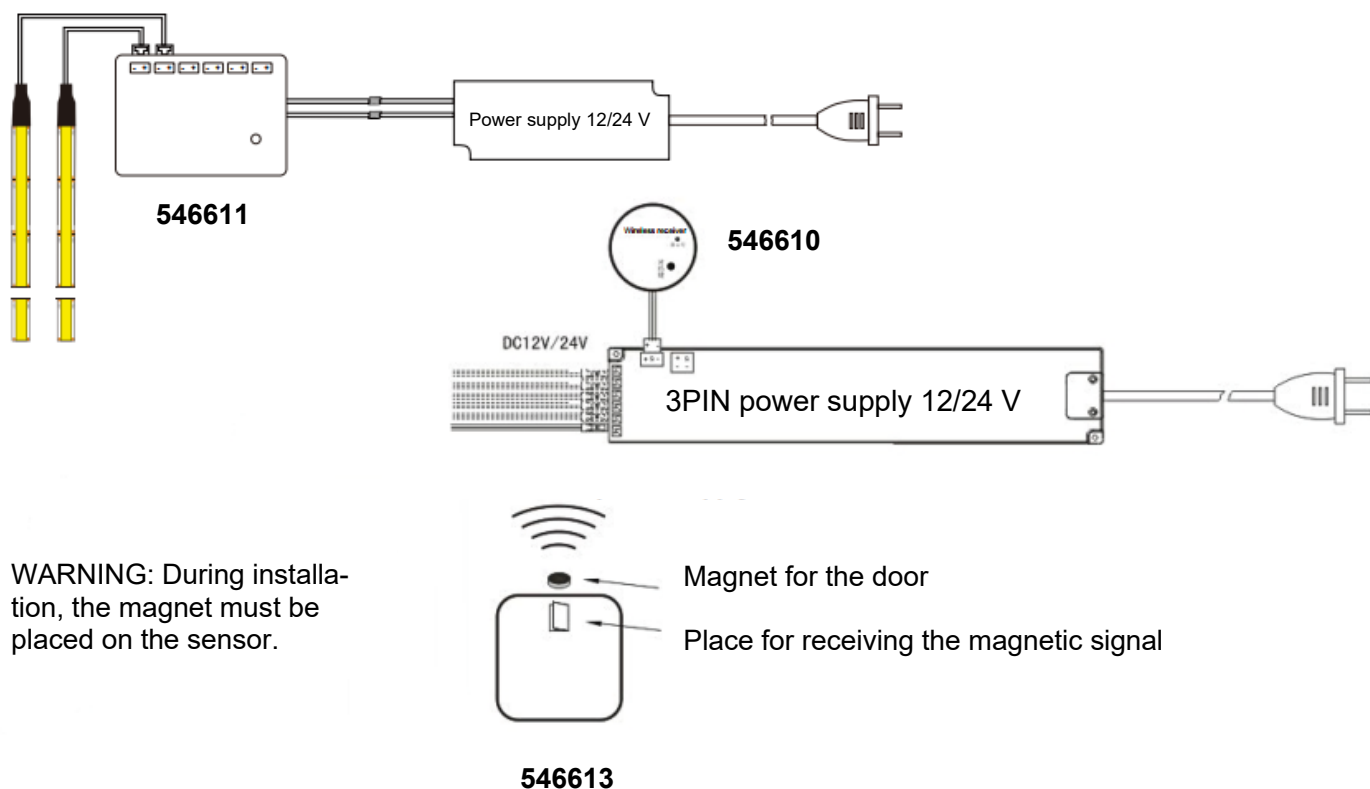
1.1.1. With a touch switch 546612



Place for touch control



1.1.2. With a magnetic door sensor 546613



2. Technical parameters

Model	544612	544613	544610	544611
Communication distance	15 m			
Carrier Frequency	433,92 MHz			
Input voltage	DC 5 V	DC 5 V	DC 12-24 V	DC 12-24 V
Load current				6 A total, 3 A/output
Maximum number of pairings			8 switches, in first-in, first-out order (FIFO)	
Magnetic sensing distance		1-1,5 cm		
Rozměry (mm)	46x46x9	46x46x9	Ø 44x10	44x60x12
Dimming	YES (5-100 %)	NO		

3. Operation

3.1. Pairing

- Press the pairing button on the receiver to enter the pairing mode with the blue lights on
- Press the button on the back of the switch or sensor.
- After successful pairing, both the indicator and the connected light will flash.
- To finish pairing, touch the switch or bring the magnet close to the sensor.
- After being powered on, the receiver automatically activates pairing mode for 6 seconds. This mode can be ended early and/or reactivated later.

3.2. Clear the pair

- Press and hold the pairing button on the receiver for at least 3 seconds. The indicator and the connected light will flash.


3.3. Legend of the indicator colors on the switch/sensor

- Blue: ON/OFF
- Blue flashing: low battery
- Red: charging
- Green: fully charged

3.4. Usage

546610: Connection via connector (3-PIN), exclusively in combination with a 3-PIN power supply.

546611: Connection via connector (jack), in combination with any 12–24 V power supply.

546612: The switch reacts to touch only at the spot marked with the icon. 
A short touch (<0.5 s) switches the light ON or OFF.
A long touch (>0.5 s) activates brightness control in the range of 5–100%.

546613: When the door is opened and the magnet is moved away from the sensor, the light switches on.
When the door is closed and the magnet is brought back to the sensor, the light switches off.
WARNING: During installation, the magnet must be placed on the sensor, otherwise the connection may fail.

Installation of the switch/sensor: surface-mounted, on a magnetic pad fixed with 2 screws.
Charging via USB cable (USB A–C included in the package).



Producer: Démos trade, a.s.
Škrobálkova 630/13
718 00 Ostrava-Kunčičky
Czech Republic