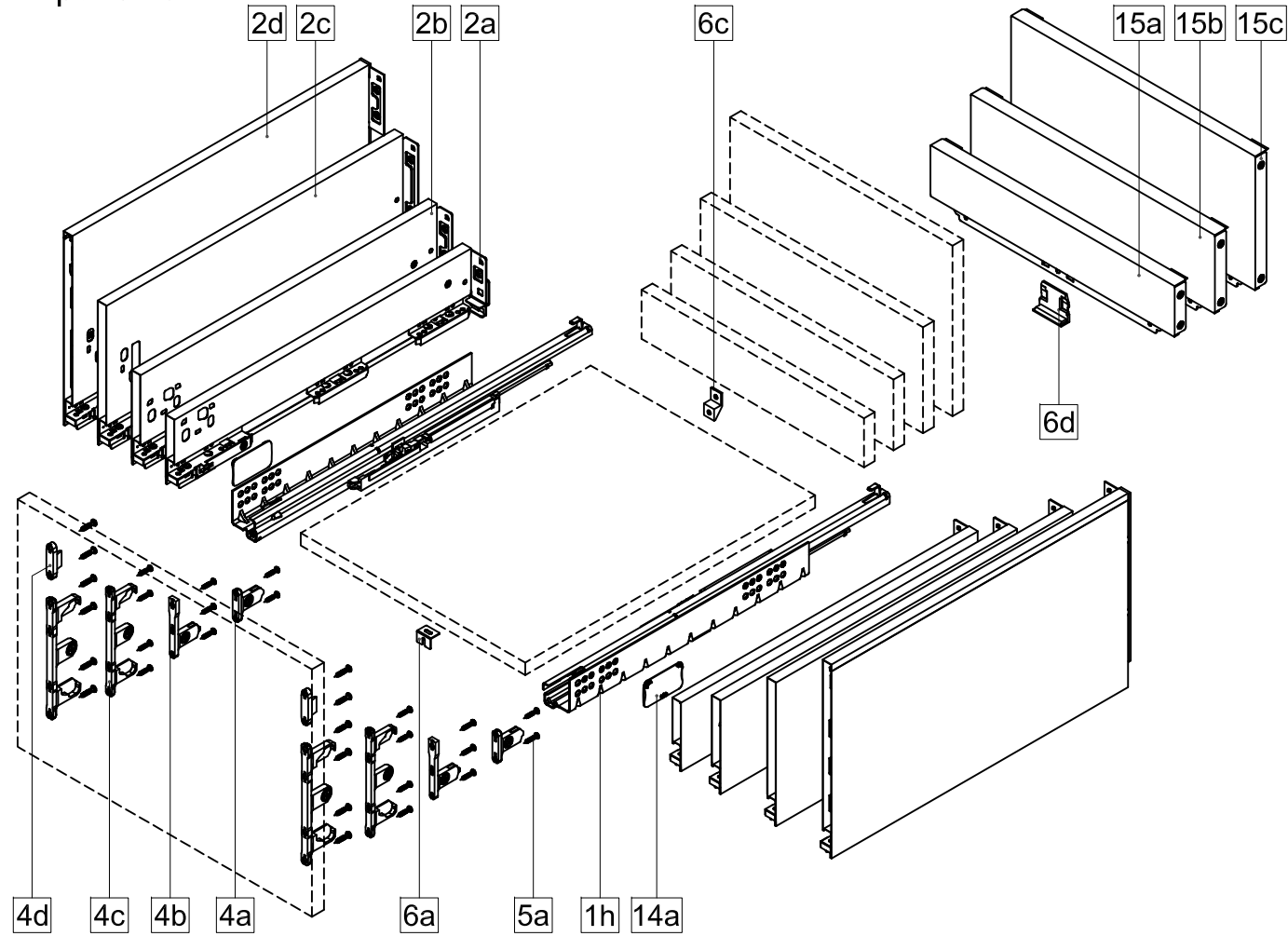




StrongMax Uni 16/18

H 89/121/185/249 NL 270 - 550

Components

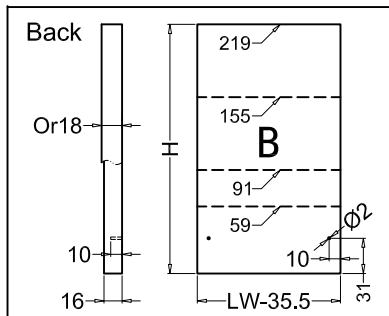


1h. Cabinet profiles L/R	5a. Front fixing-brackets screw (Ø4x17)
2a. 89 Drawer Sides L/R	6a. Front fixing (for wide drawer)
2b. 121 Drawer Sides L/R	6c. Back fixing (for wide drawer)
2c. 185 Drawer Sides L/R	6d. Metal back fixing (for wide drawer)
2d. 249 Drawer Sides L/R	14a. Side cover plate
4a. 89 Front fixing-brackets	15a. Metal back height 89
4b. 121 Front fixing-brackets	15b. Metal back height 121
4c. 185 Front fixing-brackets	15c. Metal back height 185
4d. 249 Front fixing-brackets	

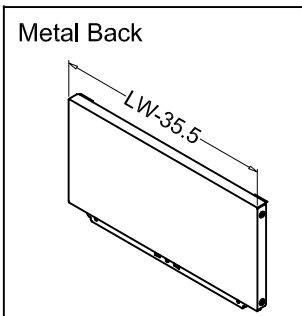
*** Please refer to the Item No.

Nominal length	Internal drawer length	Min.installation length of drawer
270mm	244mm	275mm
300mm	274mm	305mm
350mm	324mm	355mm
400mm	374mm	405mm
450mm	424mm	455mm
500mm	474mm	505mm
550mm	524mm	555mm

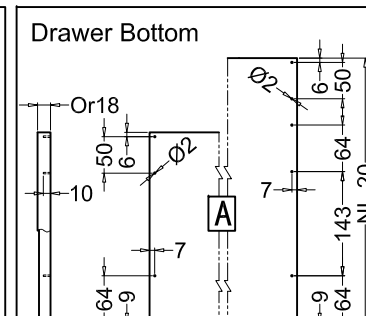
Drawer Back and Bottom Dimensions (mm)



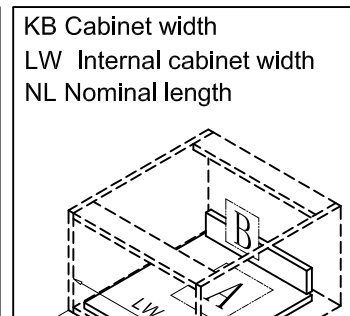
Type	89	121	185	249
H	59	91	155	219



KB ≥ 800
Metal back fixed

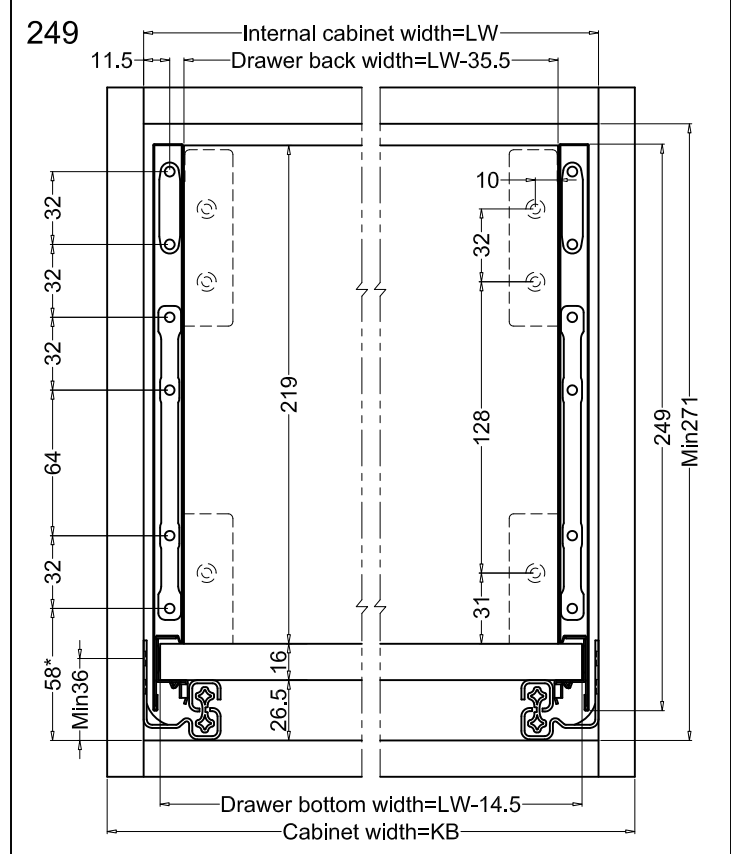
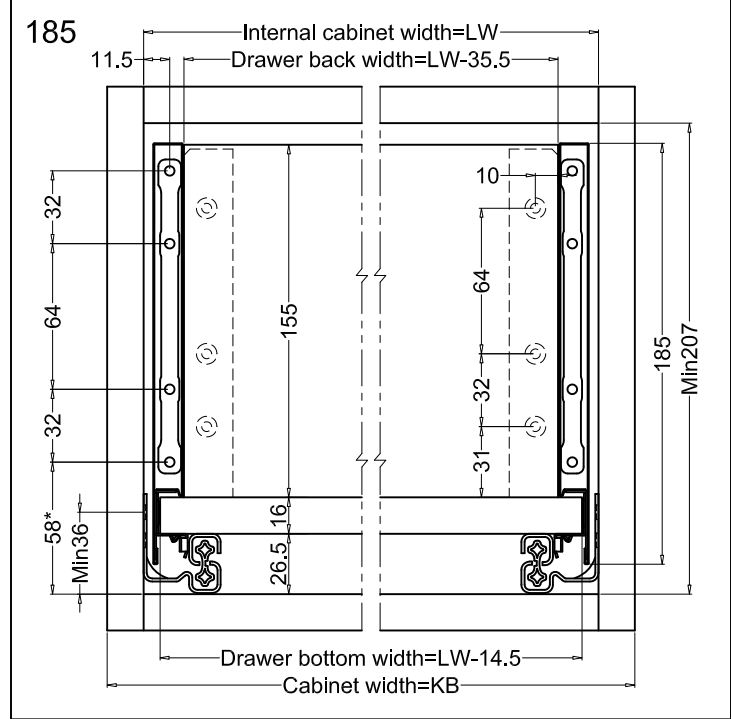
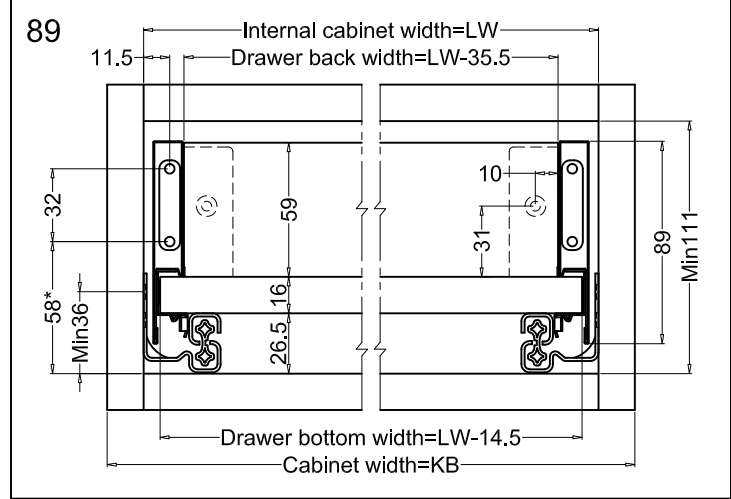
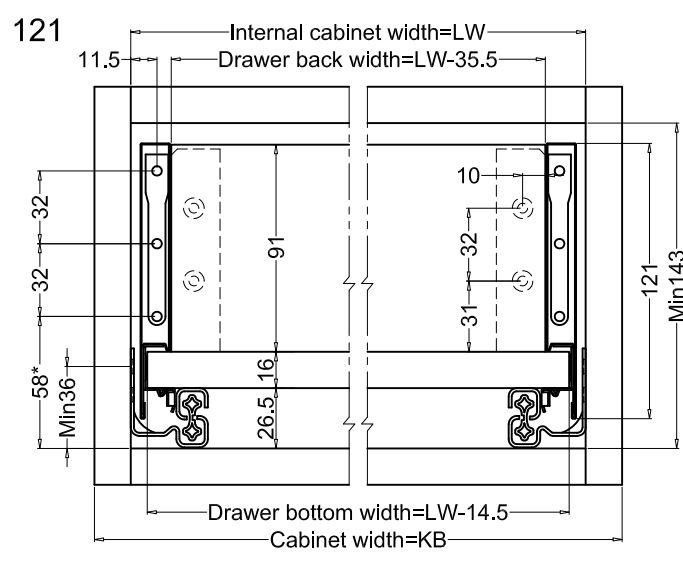
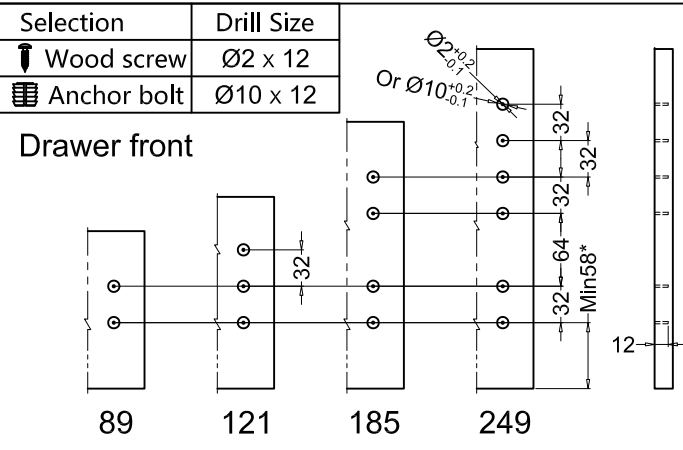
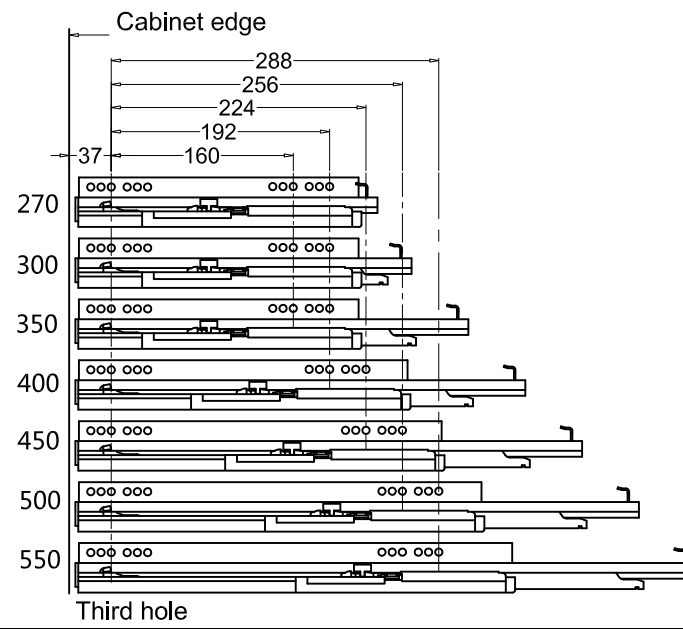
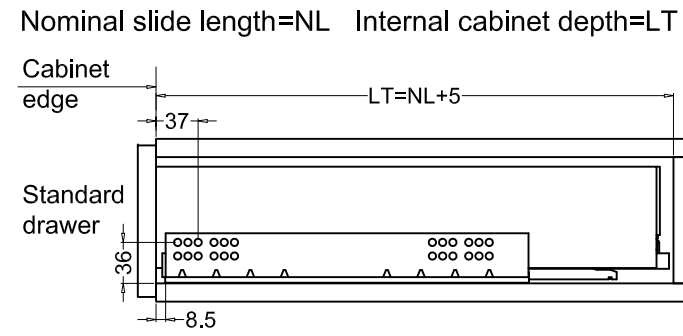


270~400 450~550



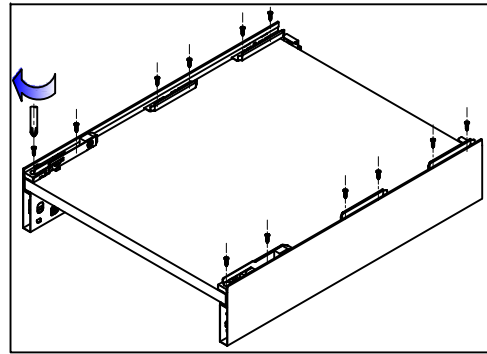
KB Cabinet width
LW Internal cabinet width
NL Nominal length

Installation dimensions (mm)

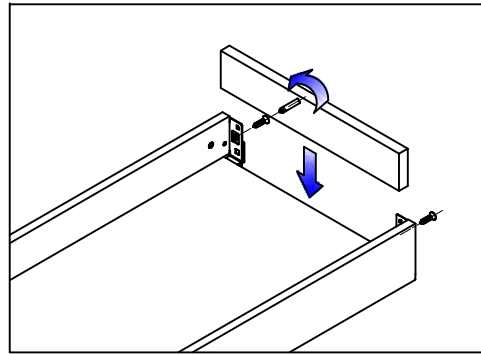


Note : When the bottom of the drawer is 18mm, the size with * needs to be increased by 2mm.

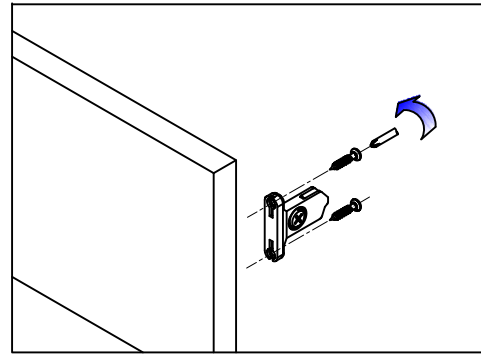
Assembly



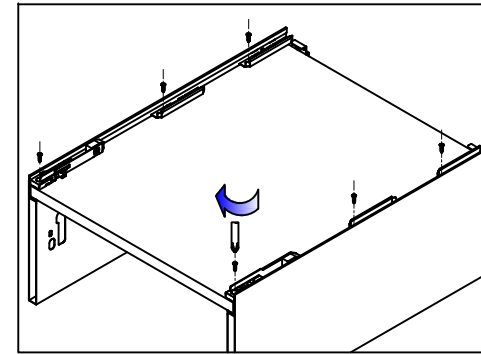
Bottom assembly



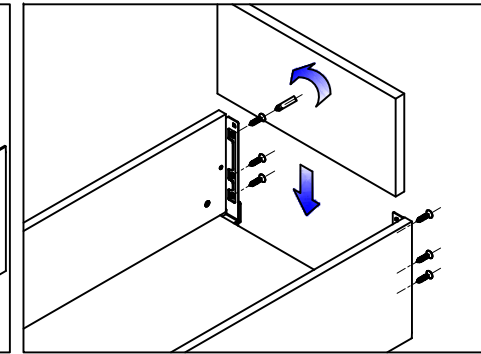
Back assembly



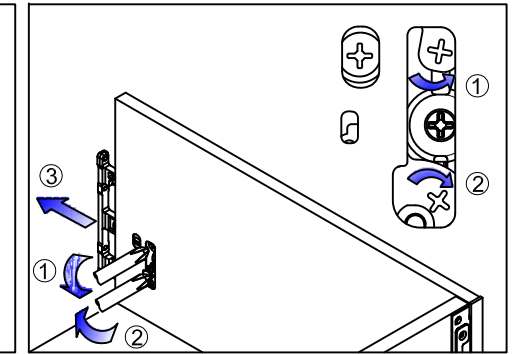
Front bracket assembly



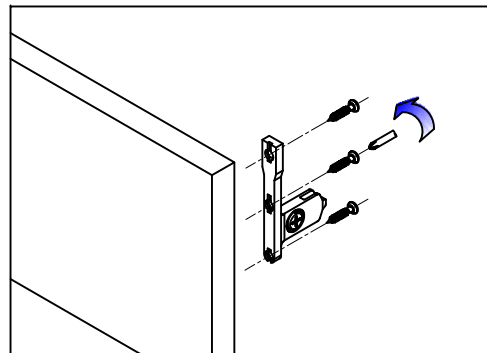
Bottom assembly



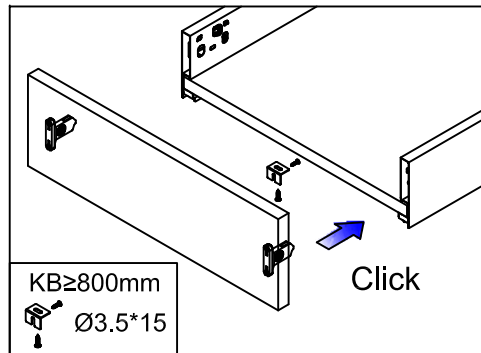
Back assembly



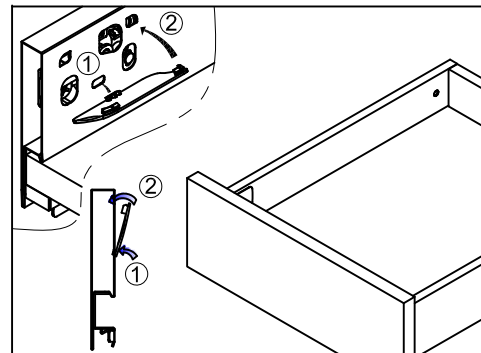
249 Front fixing-bracket release



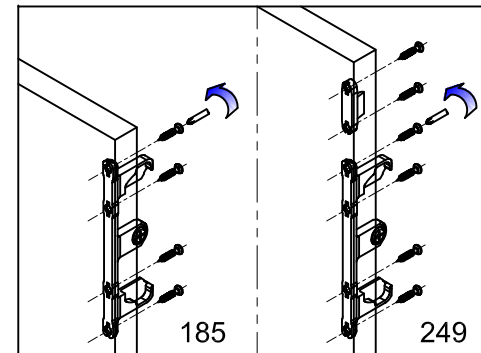
Front bracket assembly



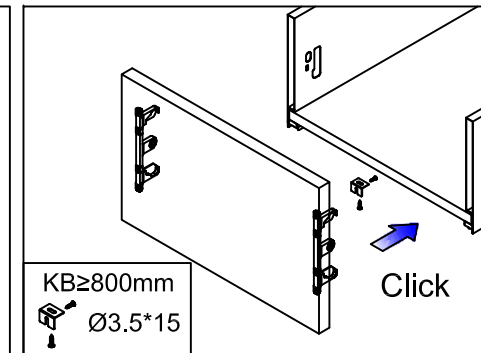
Front panel assembly



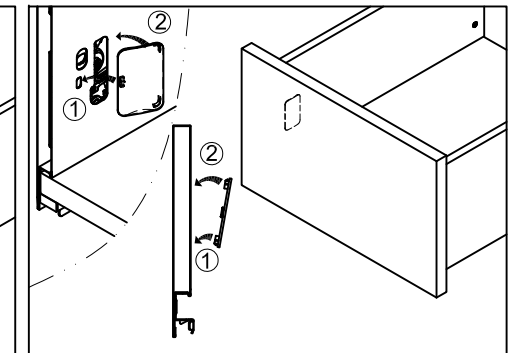
Side panel Cover assembly



Front bracket assembly

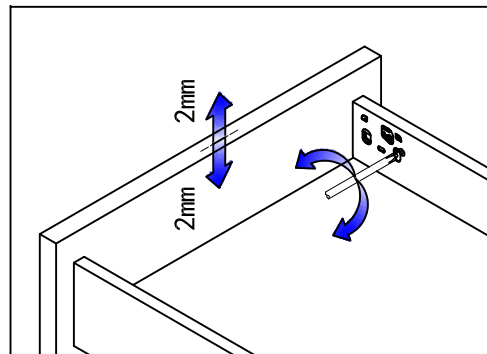


Front panel assembly

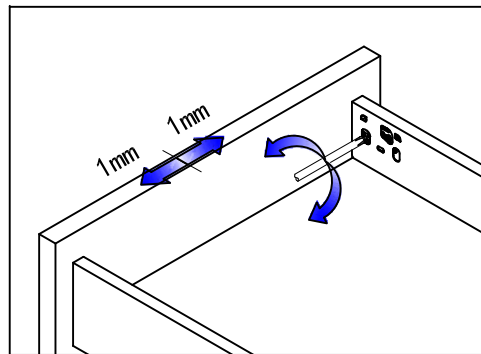


Side panel Cover assembly

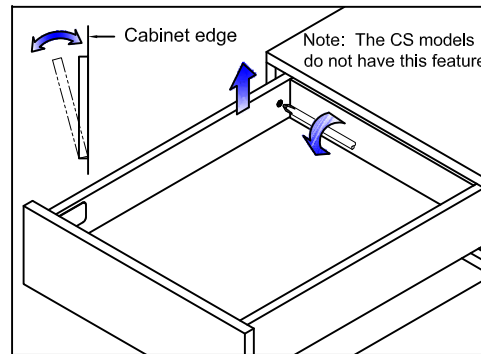
Adjustment



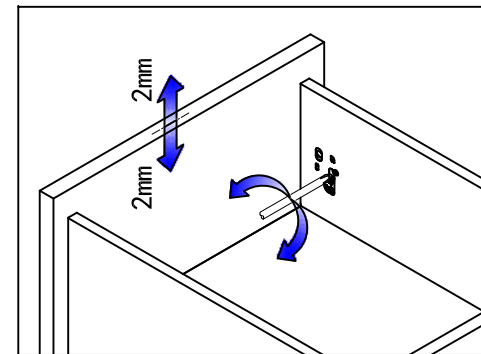
Up&down adjustment



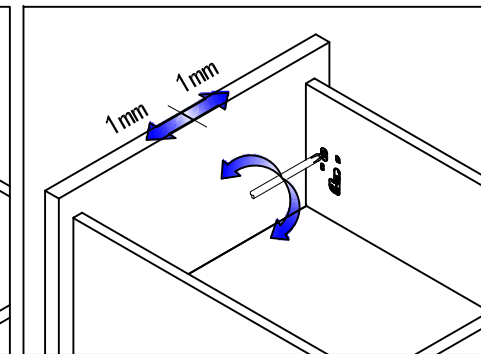
Left&right adjustment



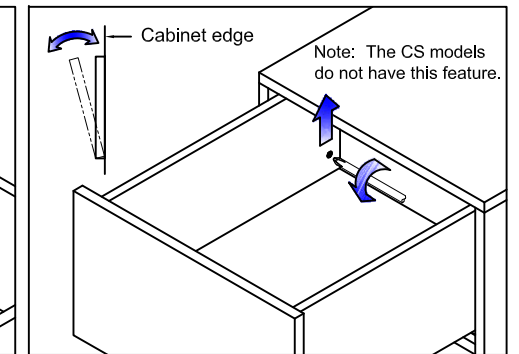
Tilting adjustment



Up&down adjustment

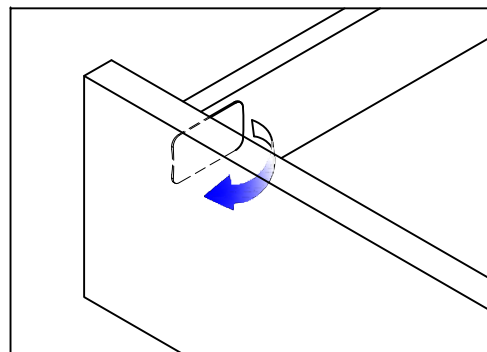


Left&right adjustment

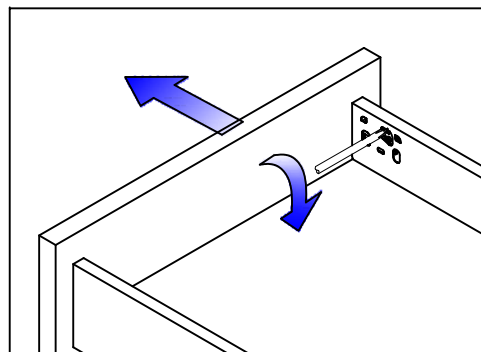


Tilting adjustment

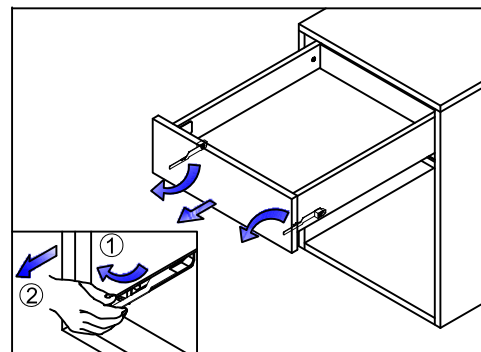
Removal



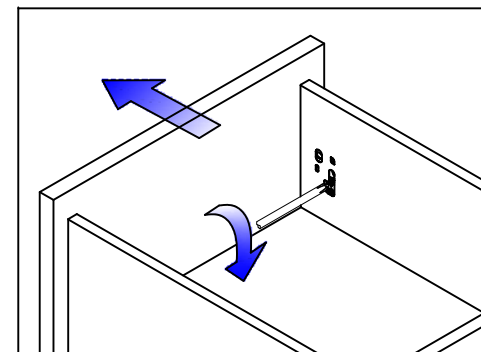
Remove the cover and pull out



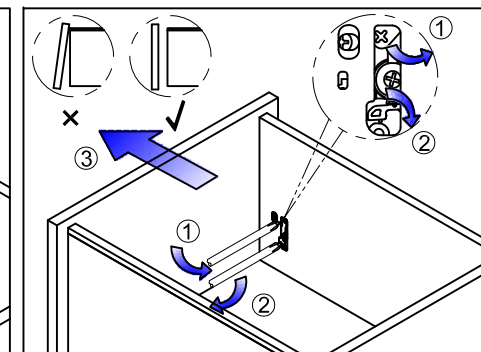
Front panel removal (89&121)



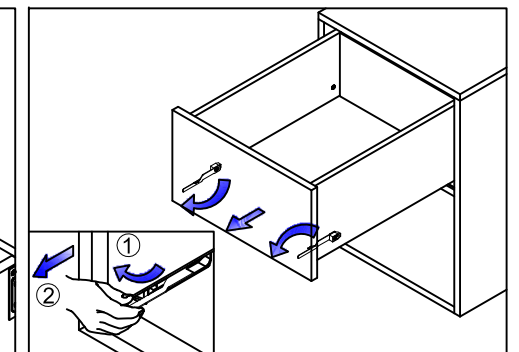
Drawer removal



Front panel removal (185)



Front panel removal (249)



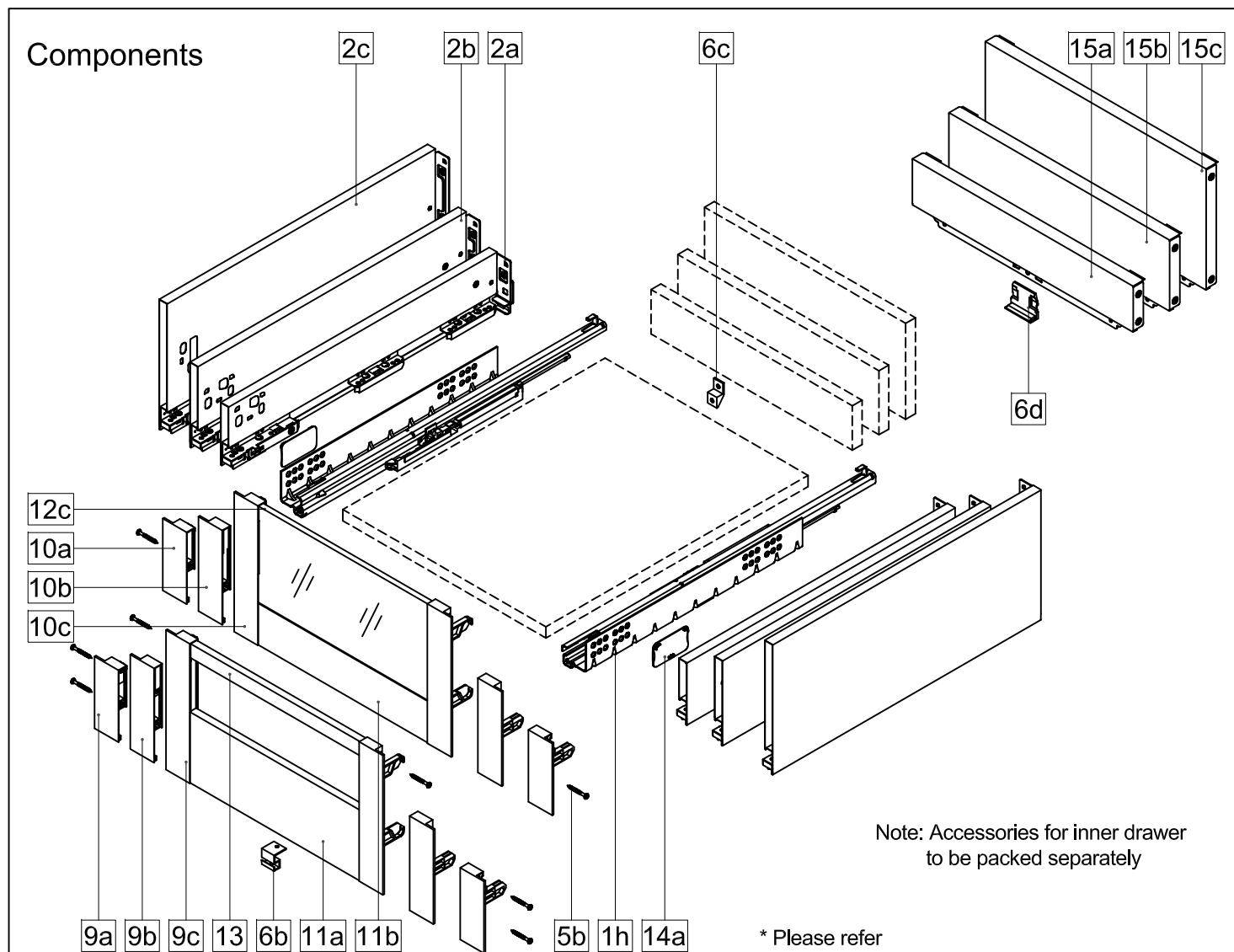
Drawer removal



StrongMax Uni 16/18 zásuvka

H 89/121/185

Inner drawer



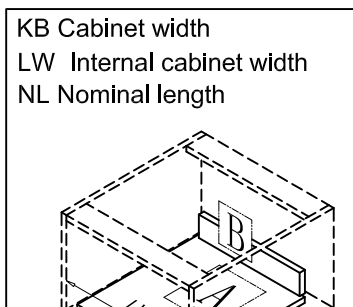
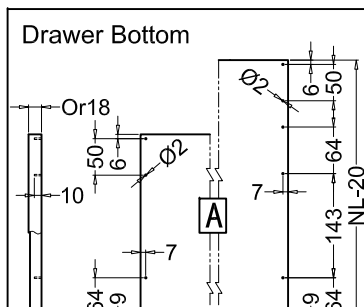
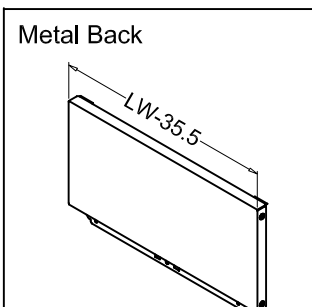
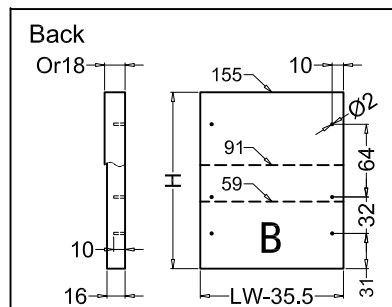
Note: Accessories for inner drawer to be packed separately

* Please refer to the Item No.

1h. Cabinet profiles L/R	10. Type B Front Fixing brackets L/R
2a. 89 Drawer Sides L/R	11a. 808-1 Front Section
2b. 121 Drawer Sides L/R	11b. 808-2 Front Section
2c. 185 Drawer Sides L/R	12c. 808-185 Glass Front
5b. Front section Screw (Ø4x30)	13. Cross square rail
6b. Bottom fixing (for wide drawer)	14a. Side cover plate
6c. Back fixing (for wide drawer)	15a. Metal back height 89
6d. Metal back fixing (for wide drawer)	15b. Metal back height 121
9. Type A Front Fixing brackets L/R	15c. Metal back height 185

Item No.	Nominal length	Internal drawer length	Min.installation length of drawer
808C***270N*	270mm	233mm	275mm
808C***300N*	300mm	263mm	305mm
808C***350N*	350mm	313mm	355mm
808C***400N*	400mm	363mm	405mm
808C***450N*	450mm	413mm	455mm
808C***500N*	500mm	463mm	505mm
808C***550N*	550mm	513mm	555mm

Drawer Back and Bottom Dimensions (mm)

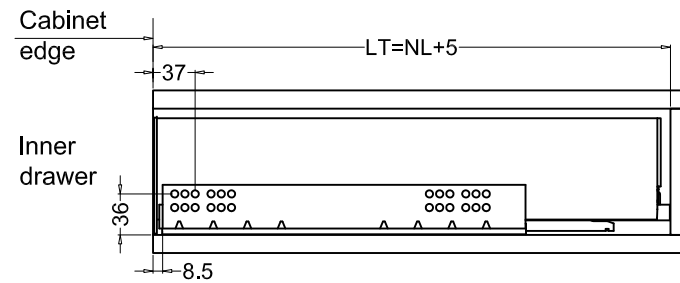


Type	89	121	185
H	59	91	155

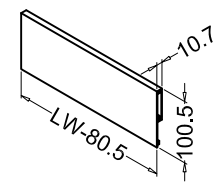
KB≥800
Metal back fixed

Installation dimensions (mm)

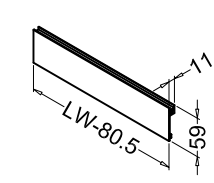
Nominal slide length=NL Internal cabinet depth=LT



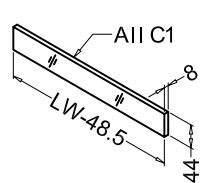
11a. 808-1 Front section



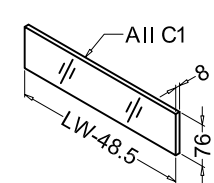
11b. 808-2 Front section



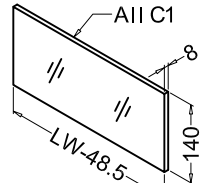
12a. 808-89 Glass Front



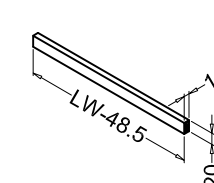
12b. 808-121 Glass Front



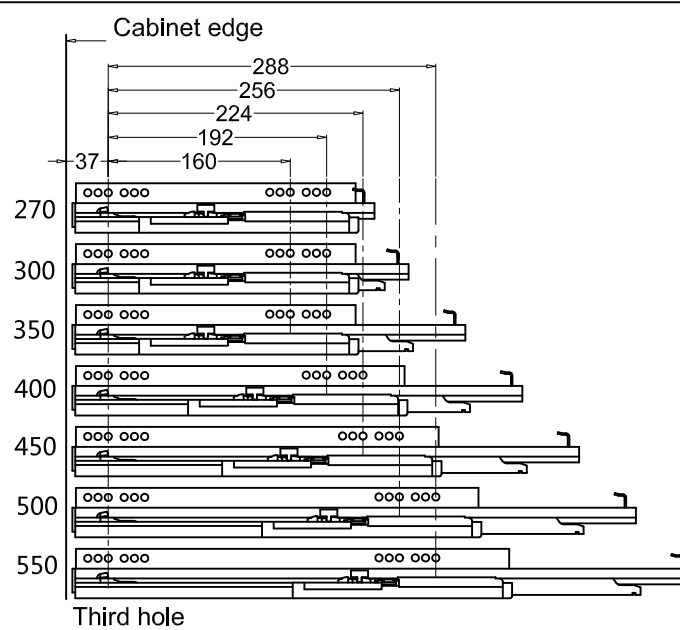
12c. 808-185 Glass Front



13. Cross square rail

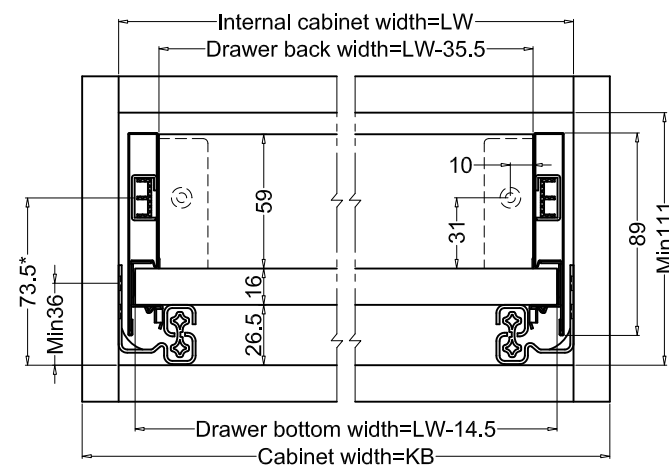


Screw positions of the slides (mm)

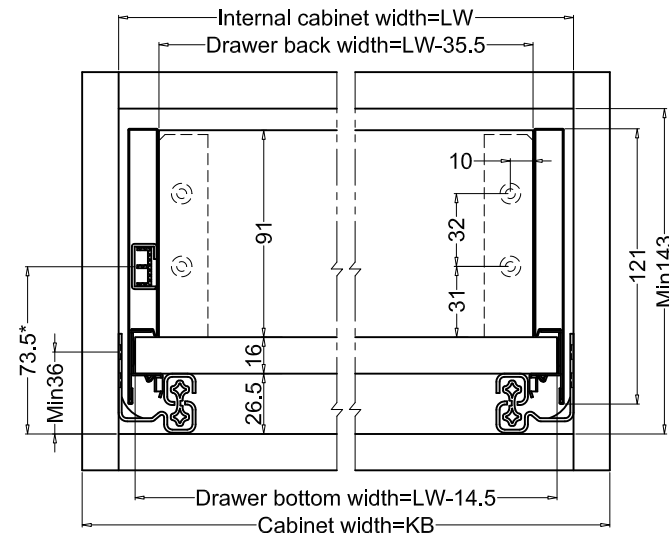


Drawer installation dimensions (mm)

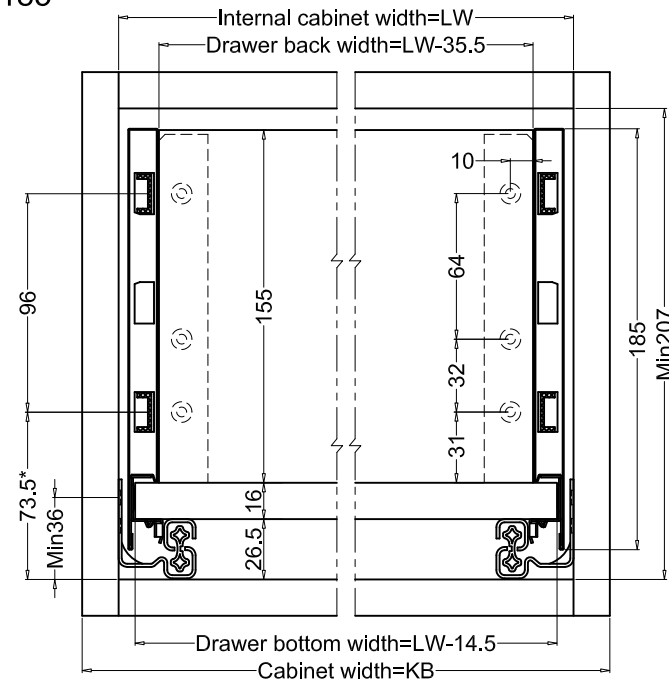
89



121

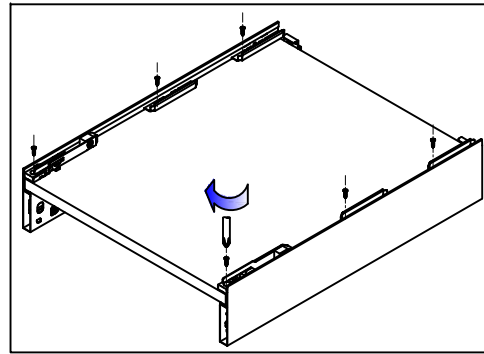


185

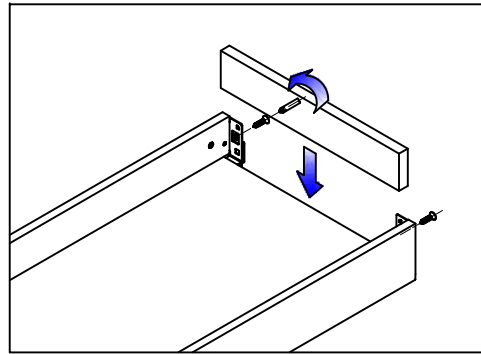


Note : When the bottom of the drawer is 18mm, the size with * needs to be increased by 2mm.

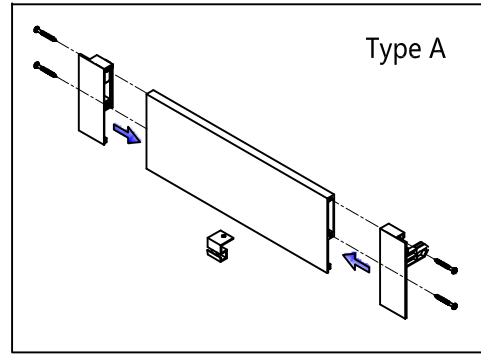
Assembly



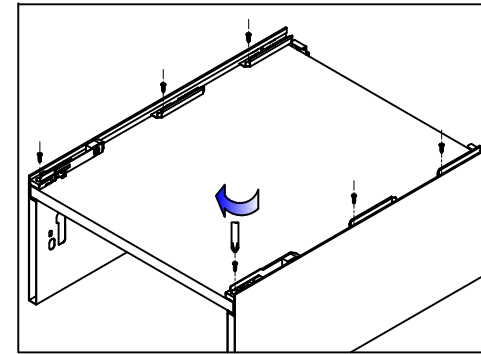
Bottom assembly



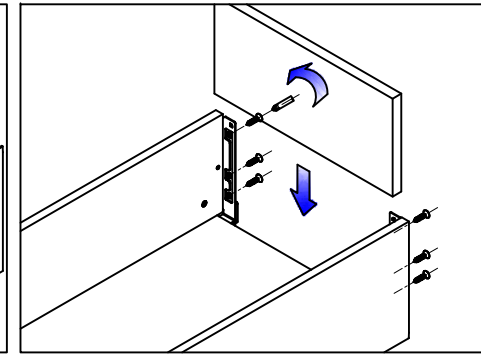
Back assembly



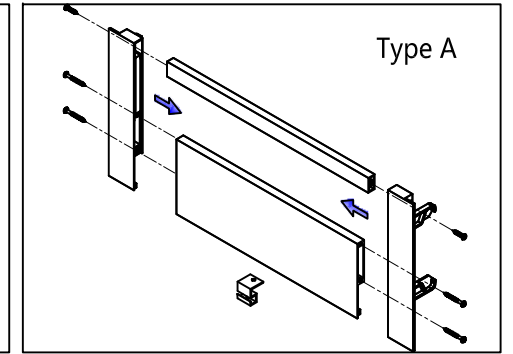
Inner drawer front assembly
Type A



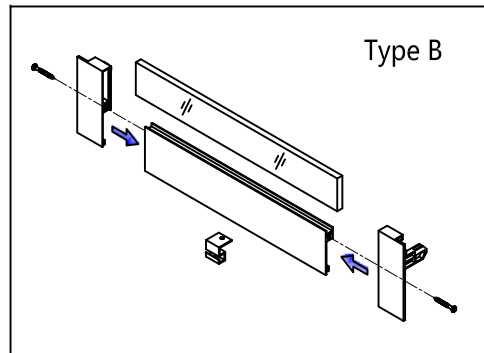
Bottom assembly



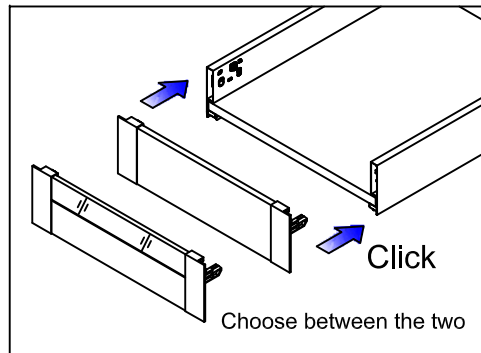
Back assembly



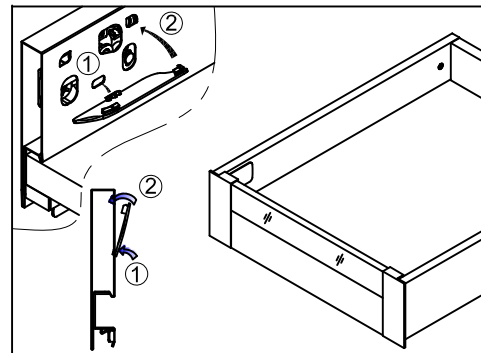
Inner drawer front assembly
Type A



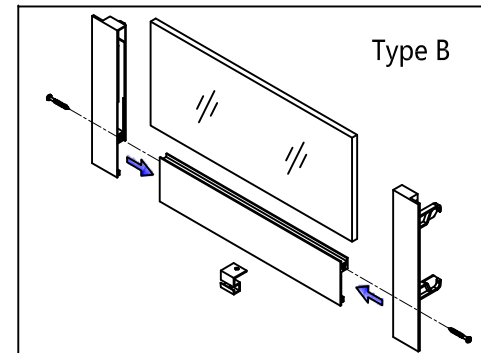
Inner drawer front assembly
Type B



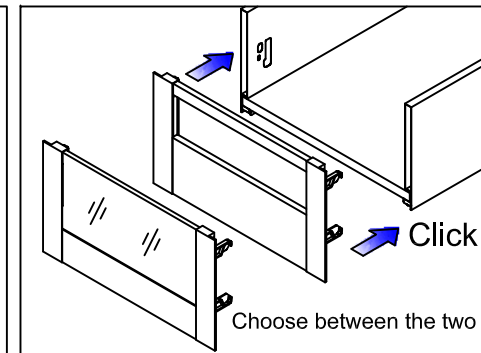
Front panel assembly
Click
Choose between the two



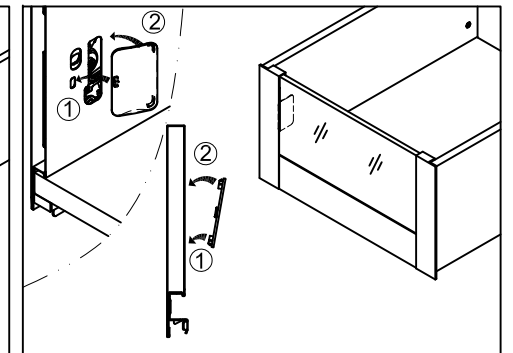
Side panel Cover assembly



Inner drawer front assembly
Type B

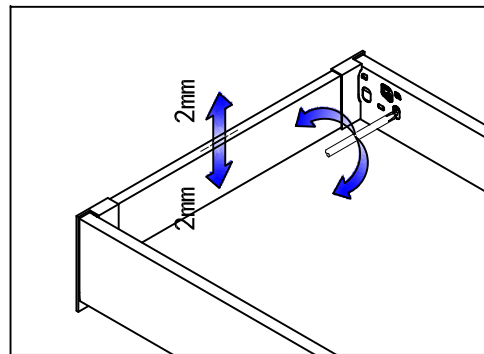


Front panel assembly
Click
Choose between the two

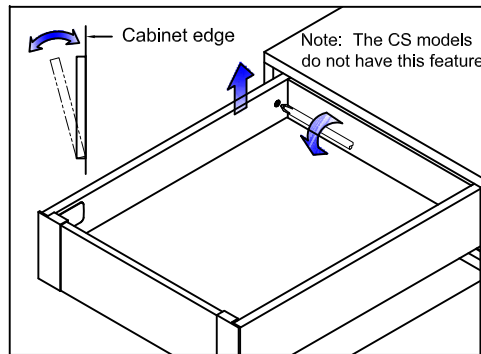


Side panel Cover assembly

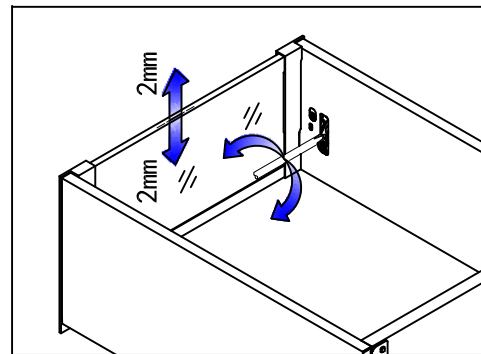
Adjustment



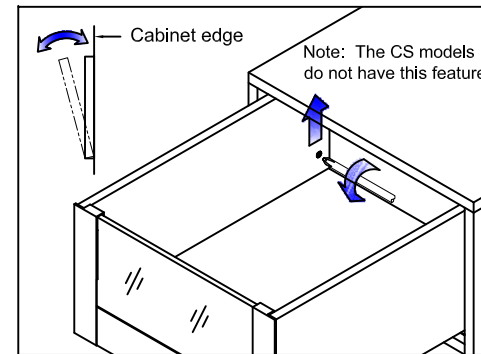
Up&down adjustment



Tilting adjustment
Cabinet edge
Note: The CS models do not have this feature.

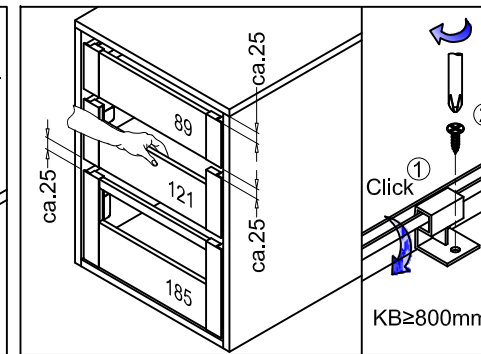


Up&down adjustment

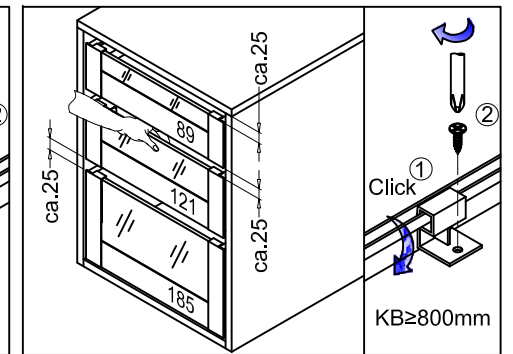


Tilting adjustment
Cabinet edge
Note: The CS models do not have this feature.

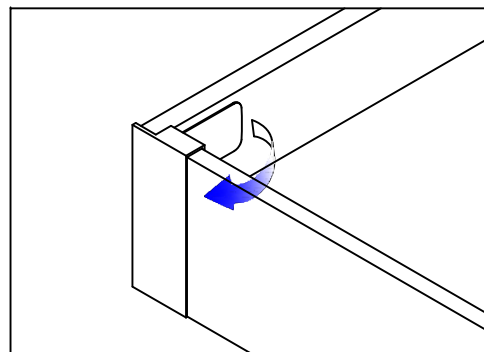
Assembly



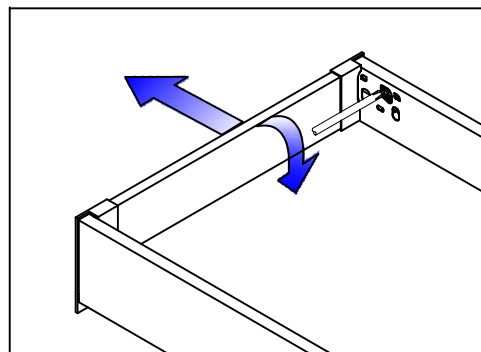
Suggested Space and Bottom Fixed assembly
ca.25, 89, 121, 185, ca.25, KB≥800mm, Click



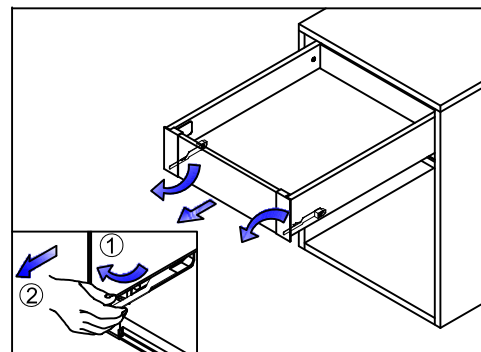
Removal



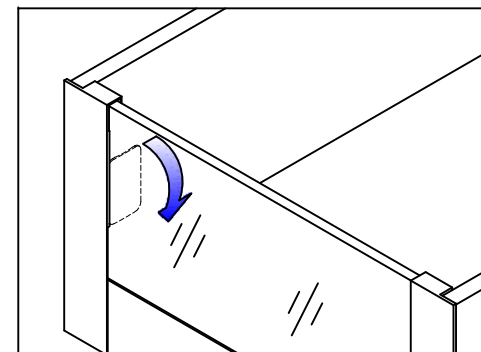
Remove the cover and pull out



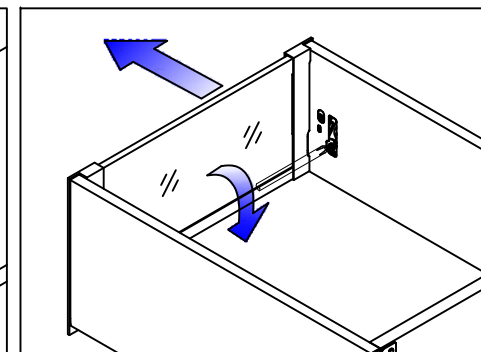
Front panel removal (89&121)



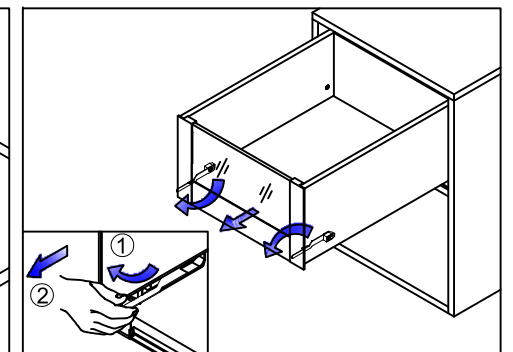
Drawer removal



Remove the cover and pull out



Front panel removal (185)



Drawer removal